



US00D552523S

(12) **United States Design Patent**
Green

(10) **Patent No.:** **US D552,523 S**

(45) **Date of Patent:** **** Oct. 9, 2007**

(54) **WHEEL**

D533,823 S * 12/2006 Starling et al. D12/209

* cited by examiner

(76) Inventor: **Andre Green**, 4120 Springbourne Way,
#206, Louisville, KY (US) 40241

Primary Examiner—Stacia Cadmus

(**) Term: **14 Years**

(74) *Attorney, Agent, or Firm*—James E. Cole; Middleton
Reutlinger

(21) Appl. No.: **29/277,840**

(57) **CLAIM**

(22) Filed: **Mar. 12, 2007**

The ornamental design for a wheel, as shown and described.

(51) **LOC (8) Cl.** **12-16**

DESCRIPTION

(52) **U.S. Cl.** **D12/209**

FIG. 1 is a perspective view of the wheel design;

(58) **Field of Classification Search** D12/204–213;
301/37.101, 64.101, 65

FIG. 2 is a front view of the wheel design;

See application file for complete search history.

FIG. 3 is a rear view of the wheel design;

(56) **References Cited**

FIG. 4 is a top view of the wheel design of the present
invention; and,

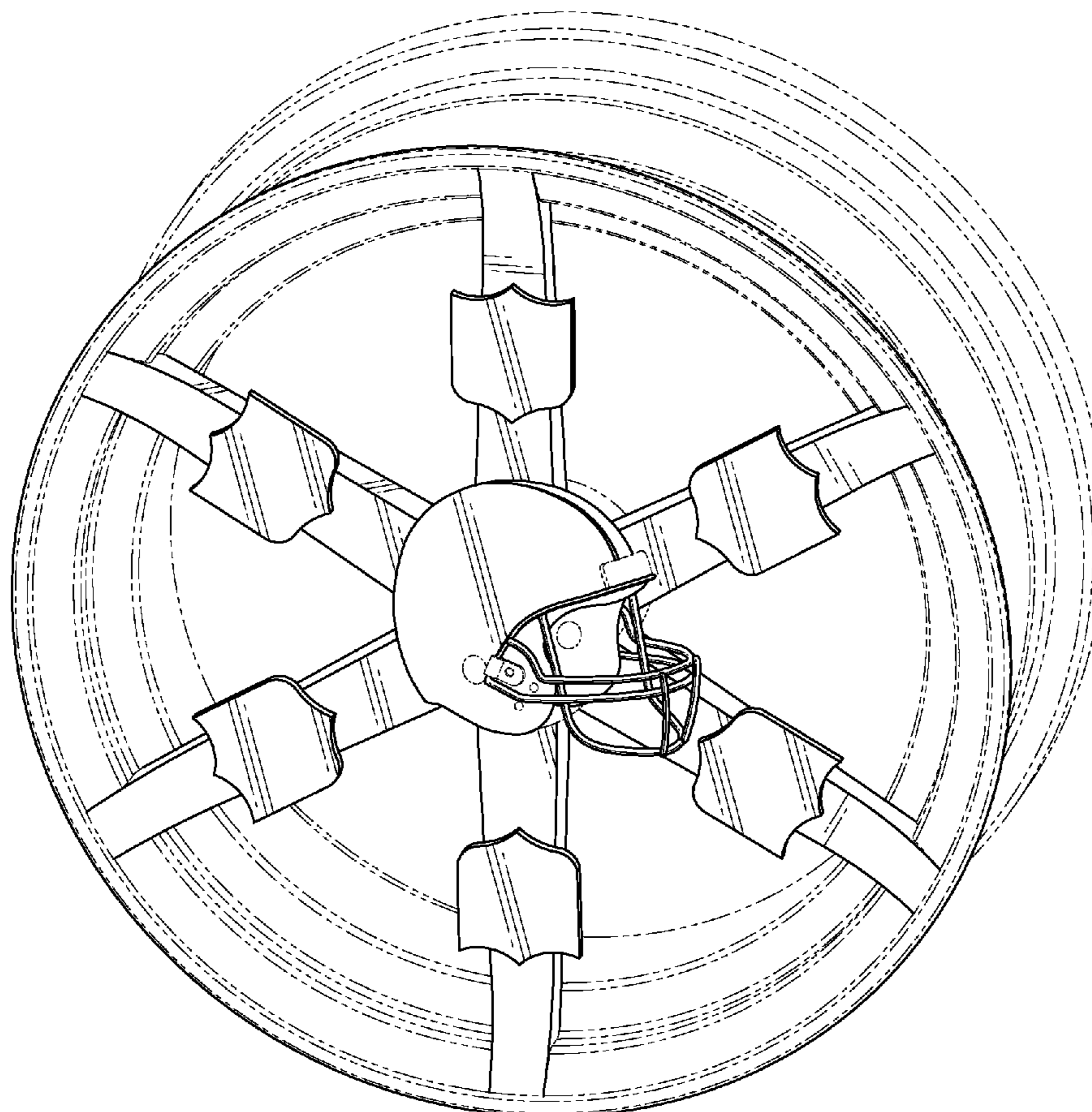
U.S. PATENT DOCUMENTS

FIG. 5 is a side view of the wheel design of the present
invention.

| | | | | | |
|------------|---|---------|---------|-------|---------|
| D219,567 S | * | 12/1970 | Ascani | | D12/204 |
| D484,082 S | * | 12/2003 | Burden | | D12/204 |
| D491,867 S | * | 6/2004 | Peng | | D12/209 |
| D504,376 S | * | 4/2005 | Tsai | | D12/204 |
| D511,130 S | * | 11/2005 | McCowin | | D12/209 |

The broken lines showing environmental structure are for
illustrative purposes only and form no part of the claimed
design.

1 Claim, 5 Drawing Sheets



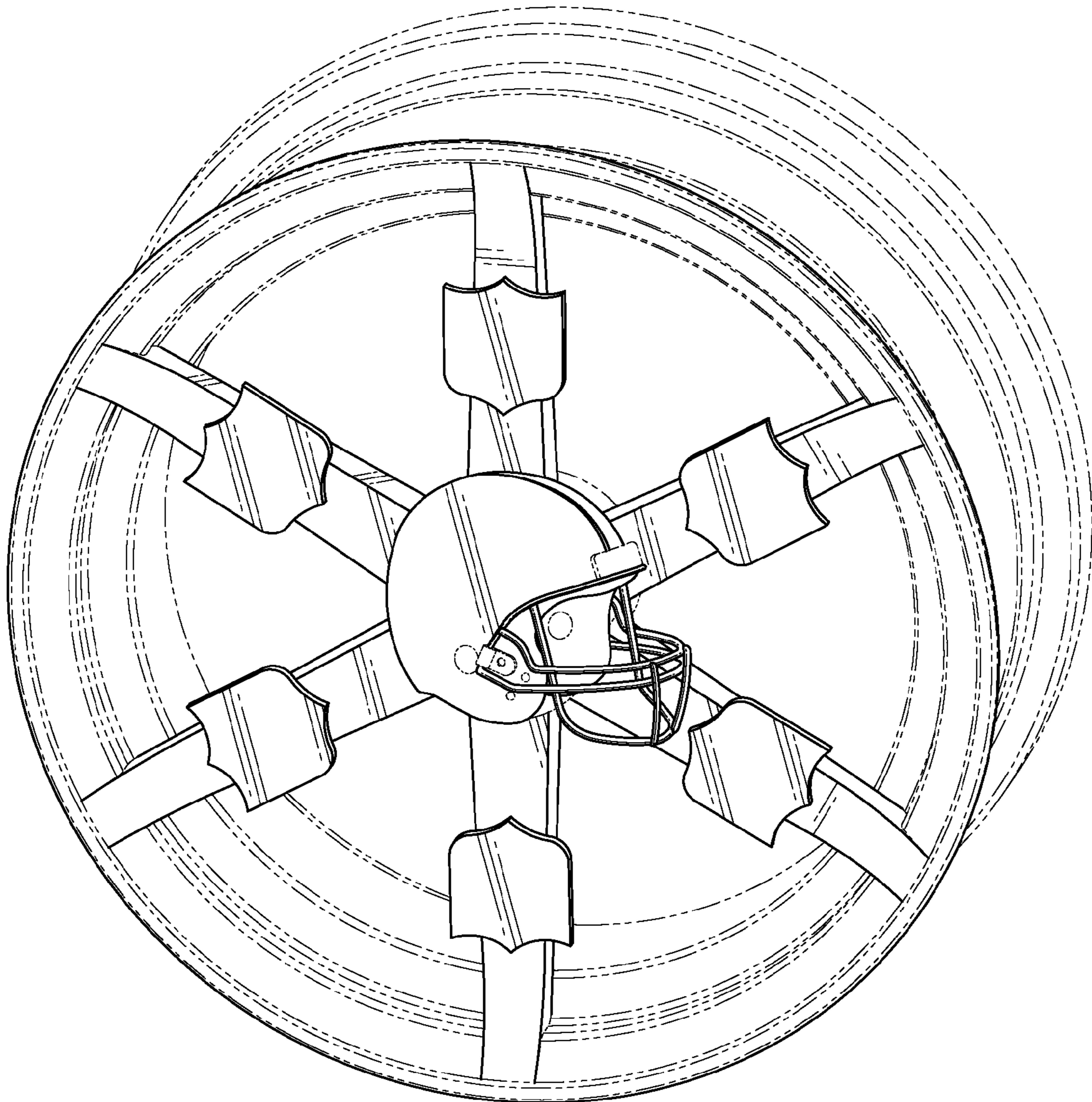


FIG. 1

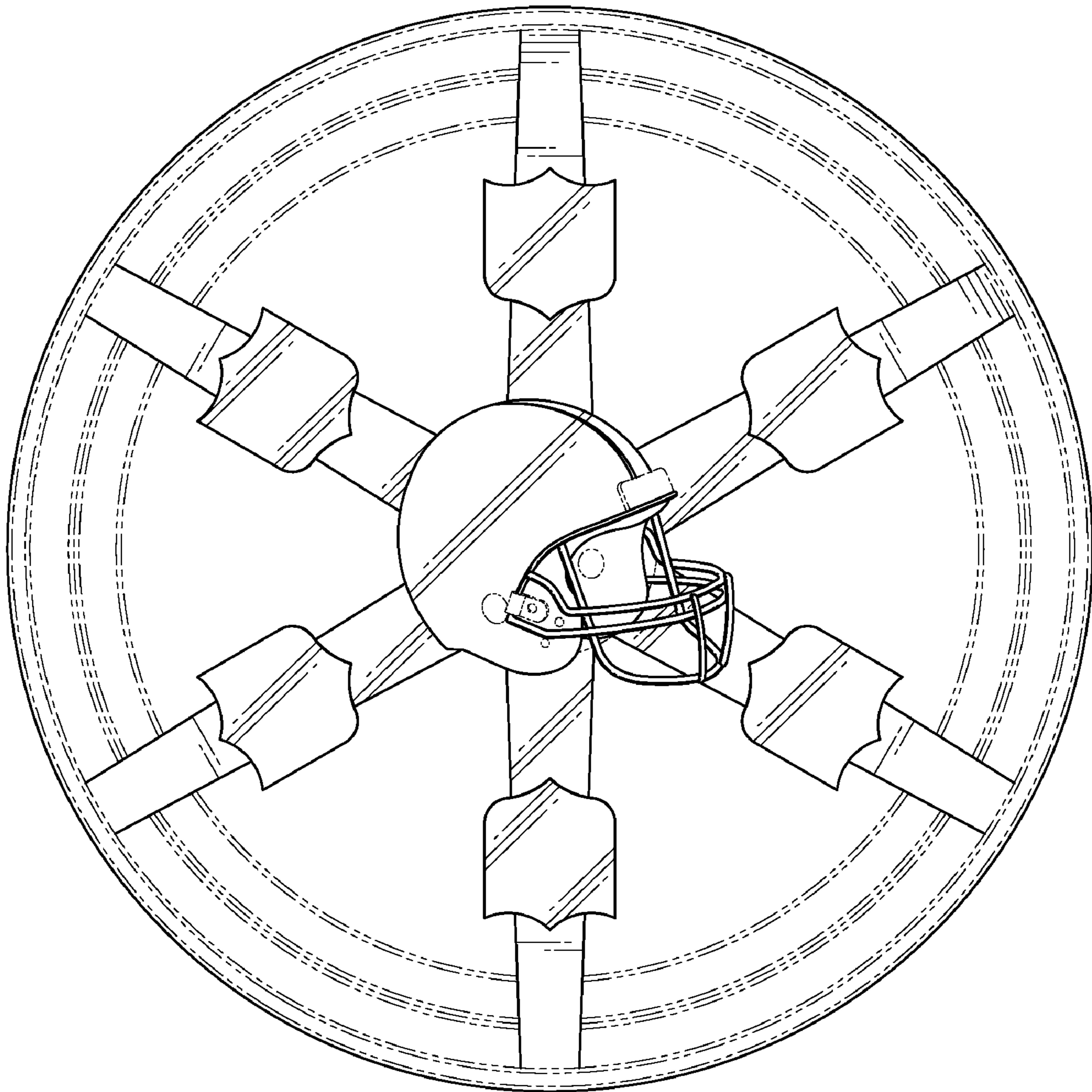


FIG. 2

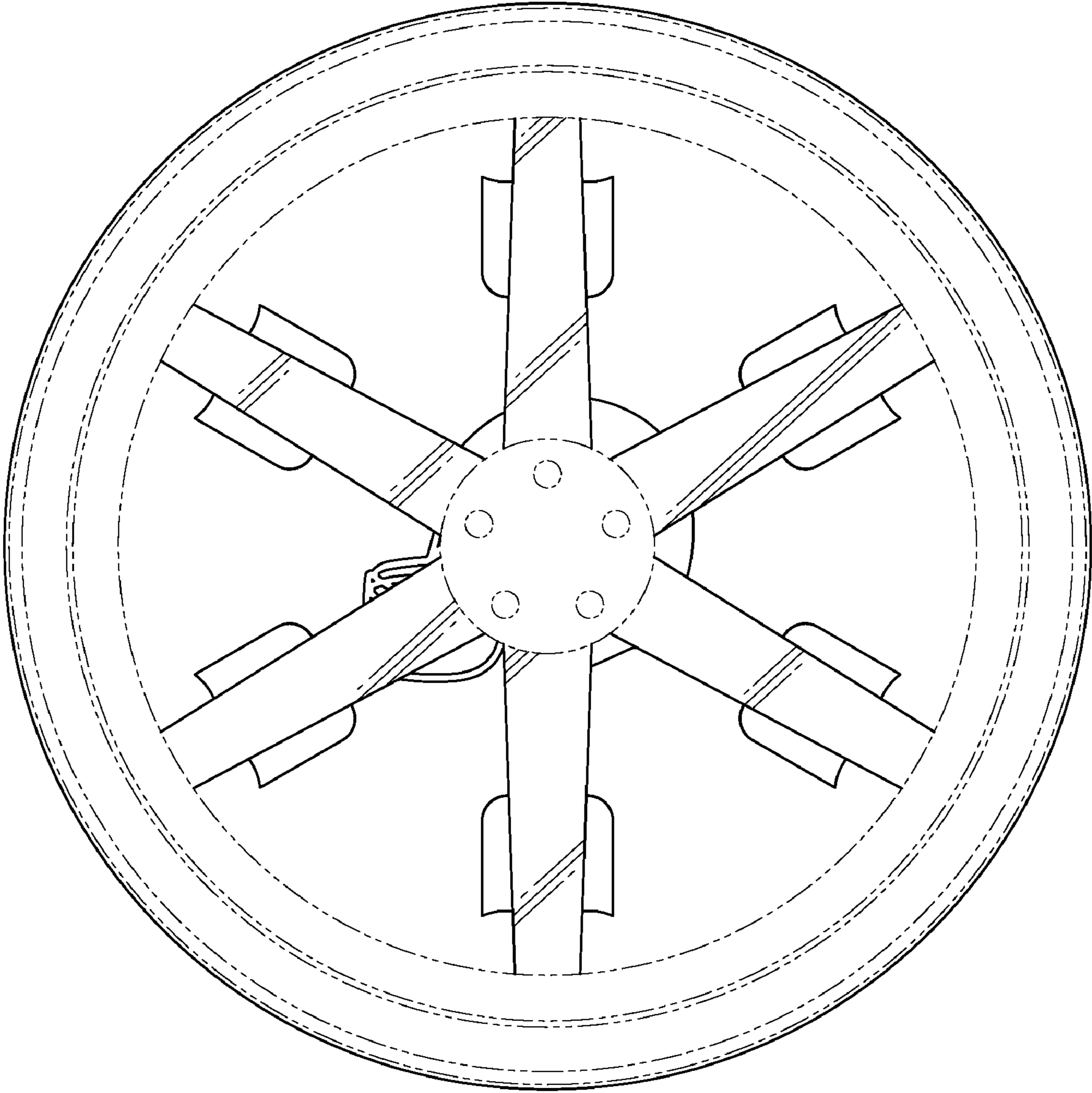


FIG. 3

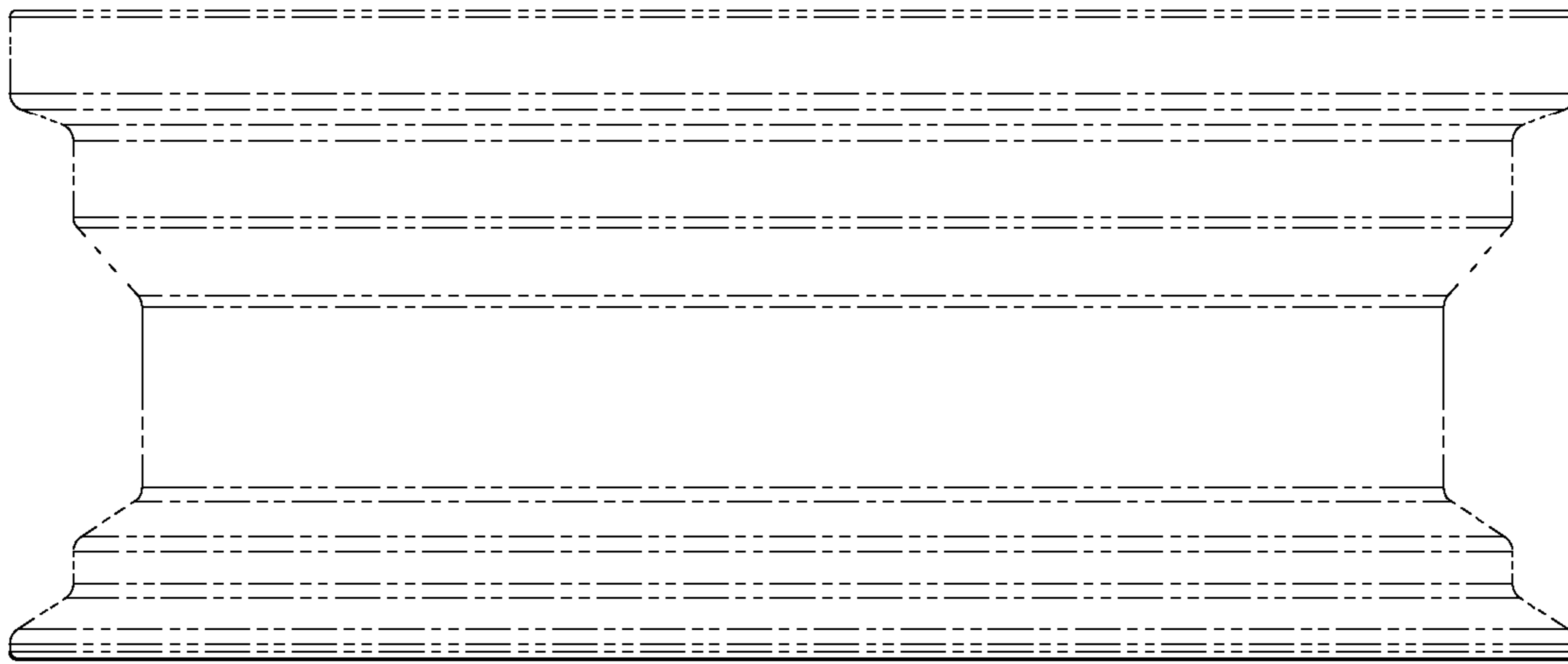


FIG. 4

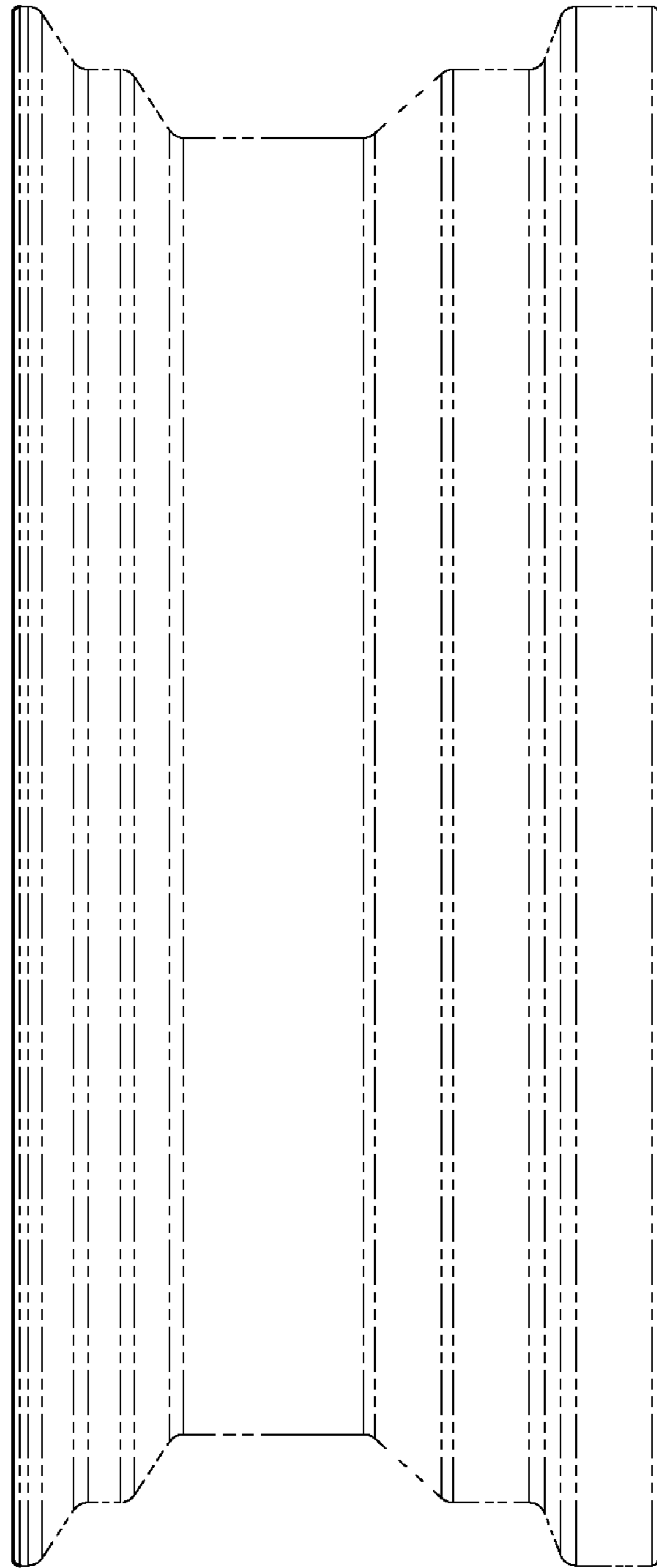


FIG. 5