



US00D552516S

(12) **United States Design Patent**
Files

(10) **Patent No.:** **US D552,516 S**
(45) **Date of Patent:** **** Oct. 9, 2007**

(54) **AUDIO DEVICE MOUNT AND SET OF
SPEAKER HOUSINGS ASSEMBLY FOR A
BICYCLE**

D440,910 S * 4/2001 Blackburn, Jr. D12/114
6,647,121 B2 * 11/2003 Stanberry et al. 381/86

(76) Inventor: **Edward M. Files**, 4818 NE. Pebble
Beach St., Lee's Summit, MO (US)
64064

* cited by examiner

Primary Examiner—Alan P. Douglas
Assistant Examiner—Linda Brooks

(**) Term: **14 Years**

(57) **CLAIM**

(21) Appl. No.: **29/253,625**

The ornamental design for an audio device mount and set of speaker housings assembly for a bicycle, as shown and described.

(22) Filed: **Feb. 9, 2006**

Related U.S. Application Data

DESCRIPTION

(63) Continuation-in-part of application No. 29/214,120,
filed on Sep. 28, 2004, now Pat. No. Des. 519,887.

FIG. 1 is a perspective view of an audio device mount and set of speaker housings assembly for a bicycle according to the present invention, showing the design in position of use attaching a portable audio device to a bicycle. The portable audio device and bicycle are shown in broken lines and included for illustrative purposes only and form no part of the claimed design;

(51) **LOC (8) Cl.** **12-11**

(52) **U.S. Cl.** **D12/114**

(58) **Field of Classification Search** D12/110,
D12/111, 114, 126, 415, 178; 200/61.27,
200/61.54, 61.85, 61.87, 293.1; 74/551.8;
280/288.4; 180/219, 90; D14/157; 381/86;
296/37.1, 70; 312/7.1; 224/413; 455/345
See application file for complete search history.

FIG. 2 is an exploded front elevational view thereof;

FIG. 3 is an exploded rear elevational view thereof;

FIG. 4 is an exploded top plan view thereof;

FIG. 5 is an exploded bottom plan view thereof; and,

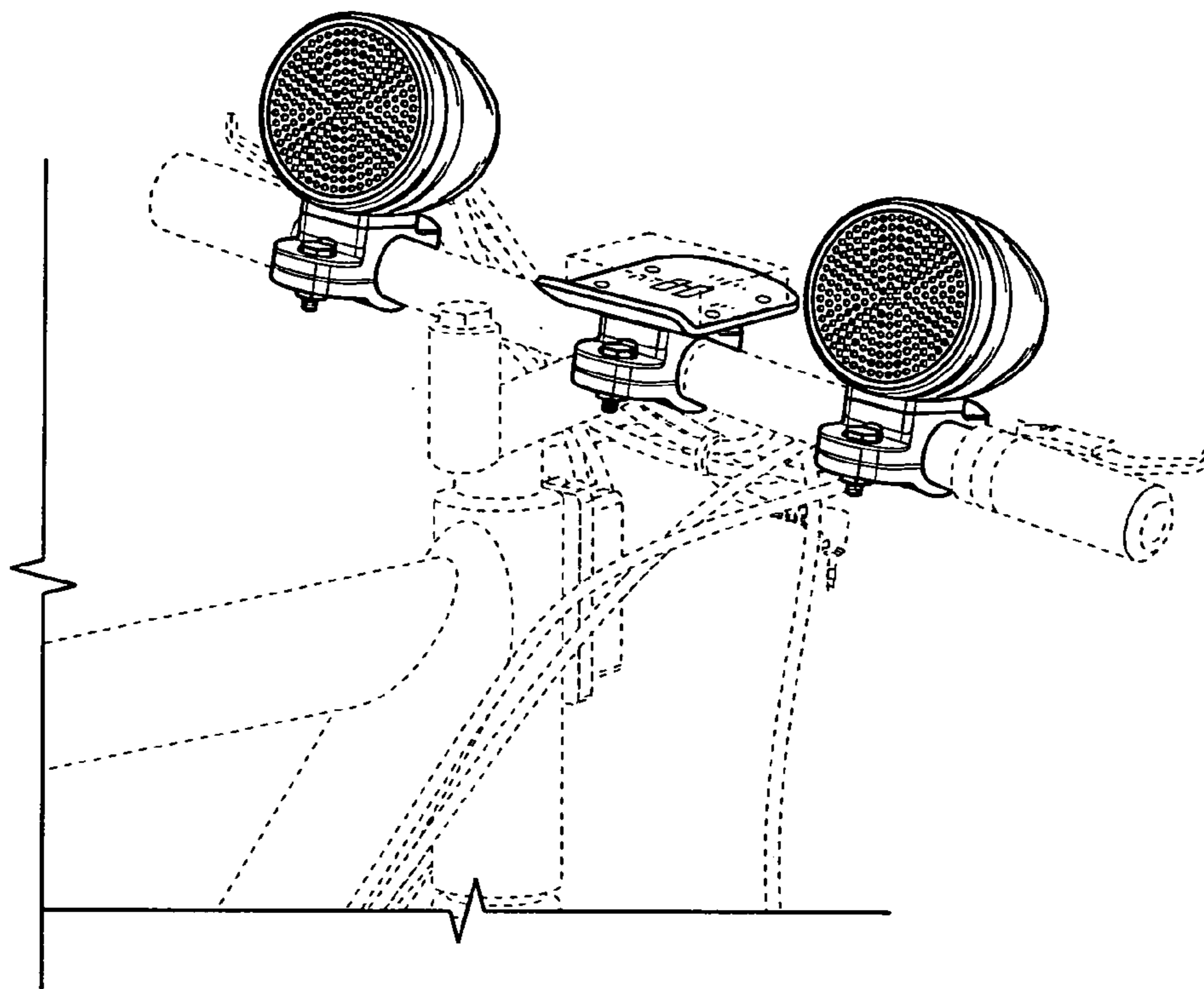
FIG. 6 is a right side elevational view thereof; the left side being a mirror image of the right side.

(56) **References Cited**

U.S. PATENT DOCUMENTS

D281,871 S * 12/1985 Heiman D12/114
D304,033 S * 10/1989 Villanueva et al. D14/157

1 Claim, 6 Drawing Sheets



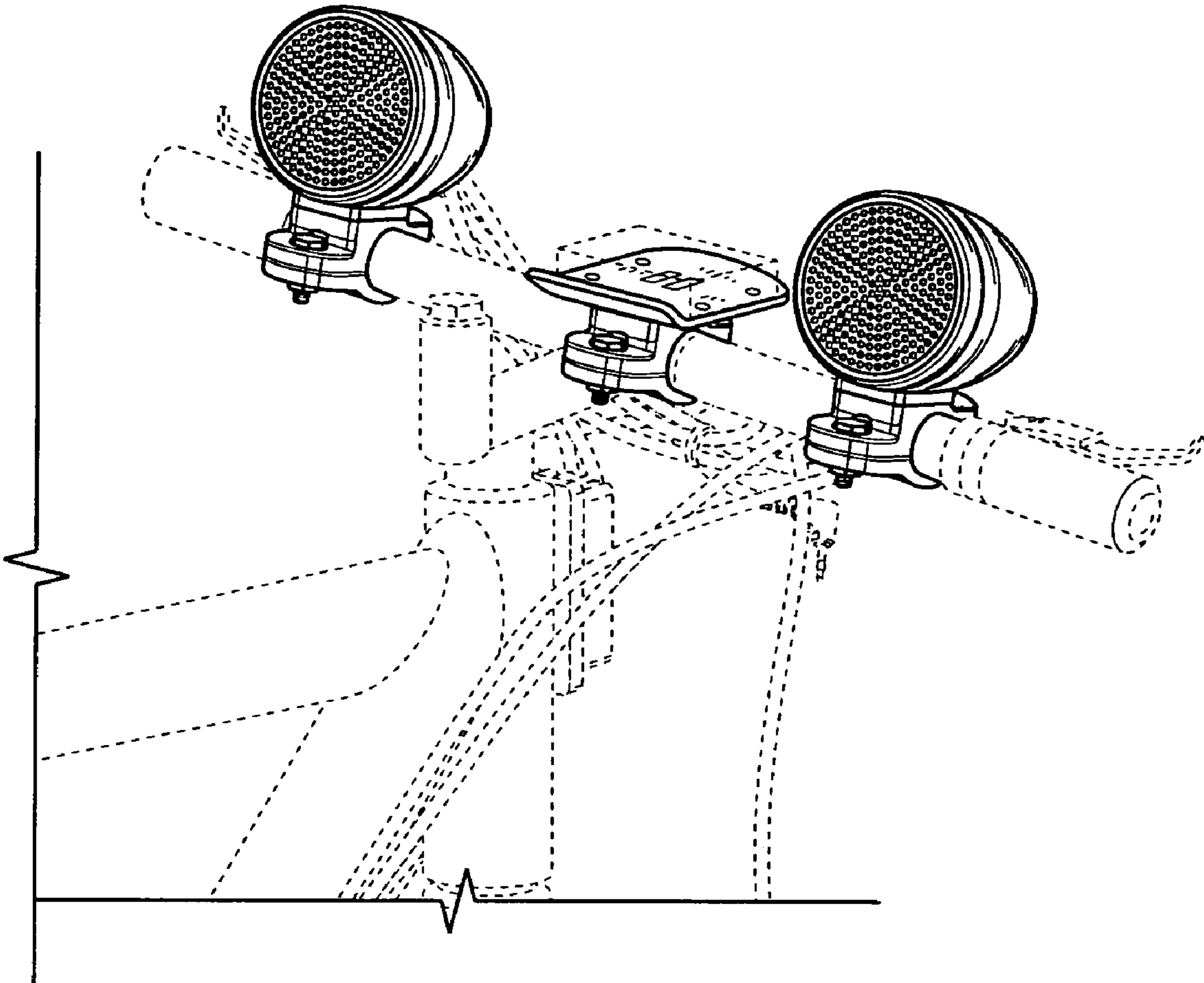


FIG. 1

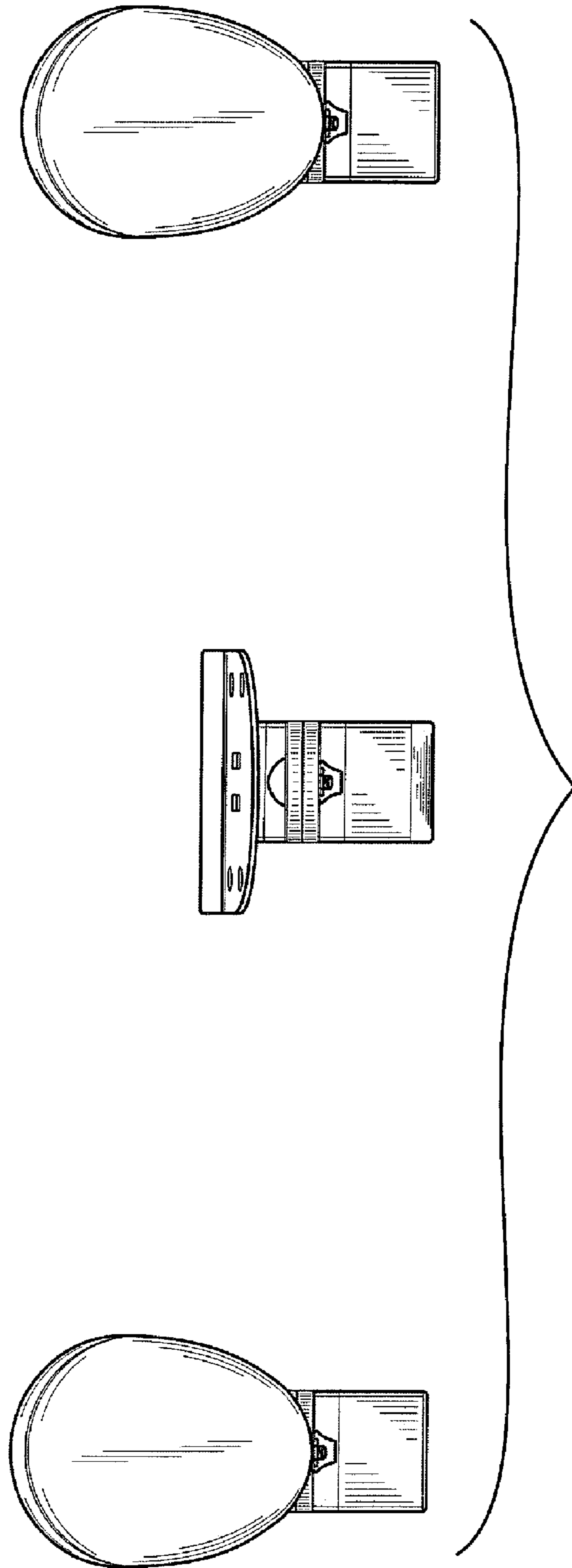


FIG. 2

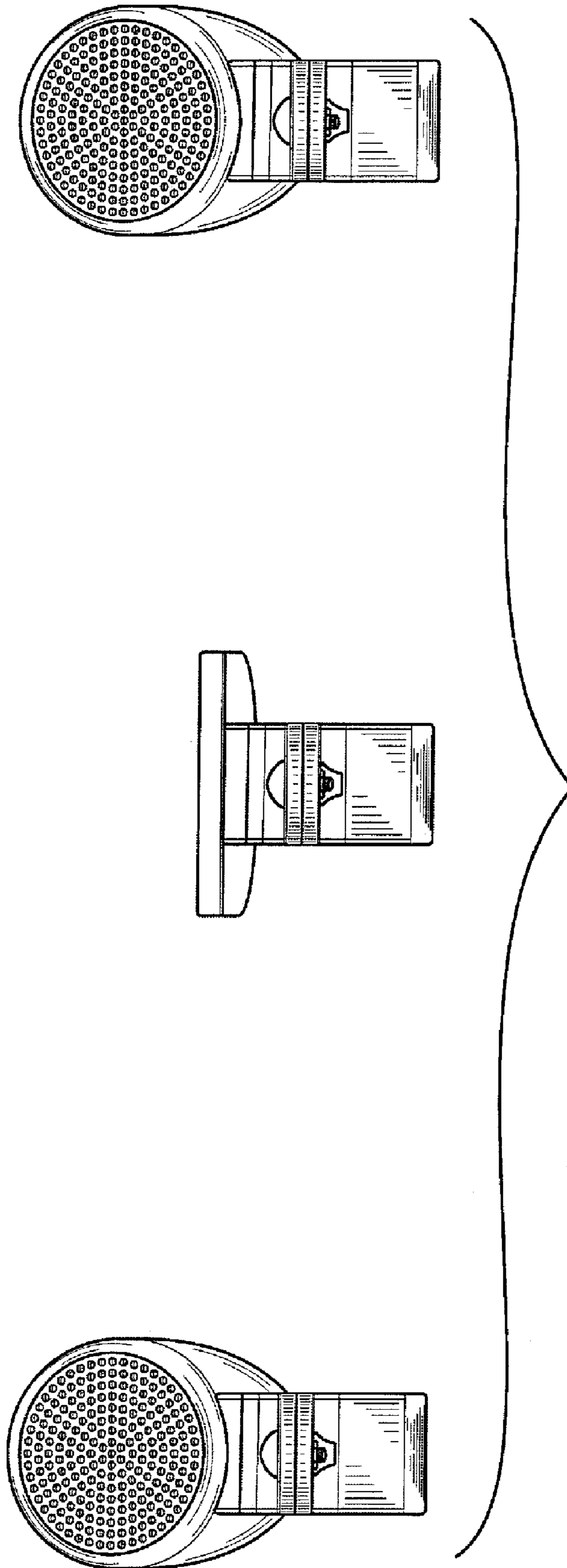


FIG. 3

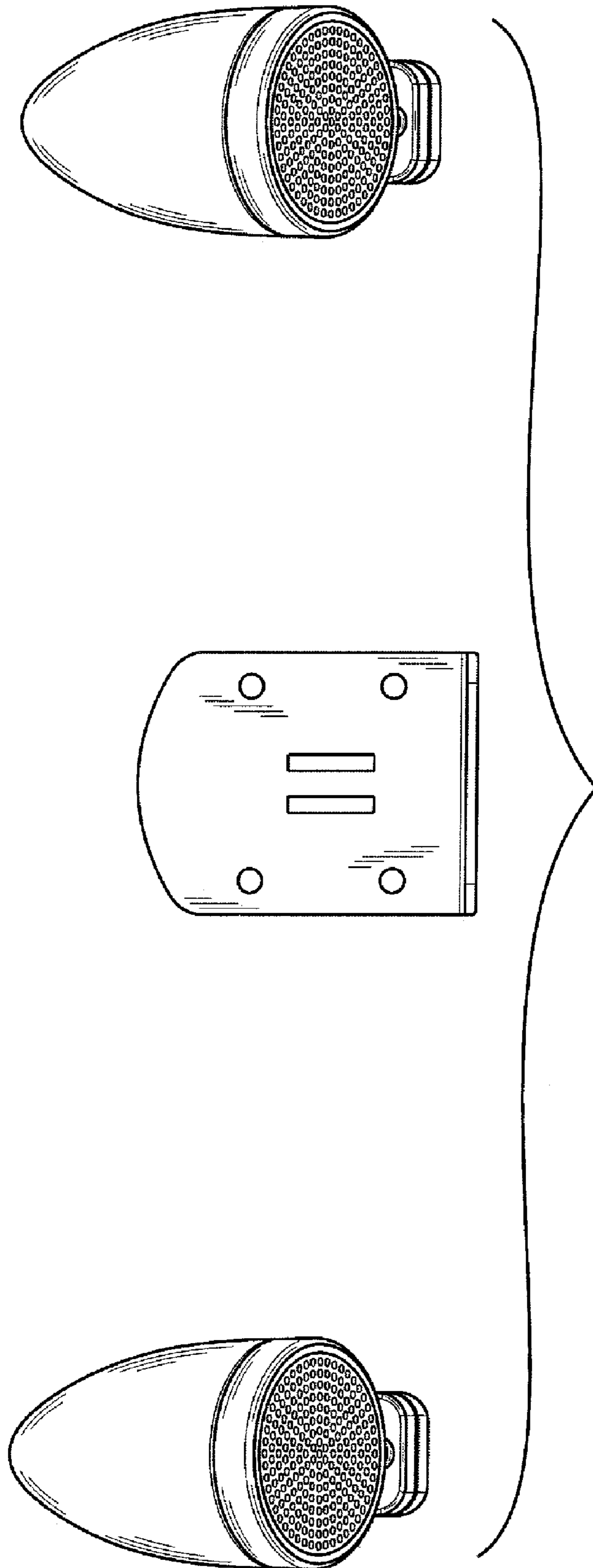


FIG. 4

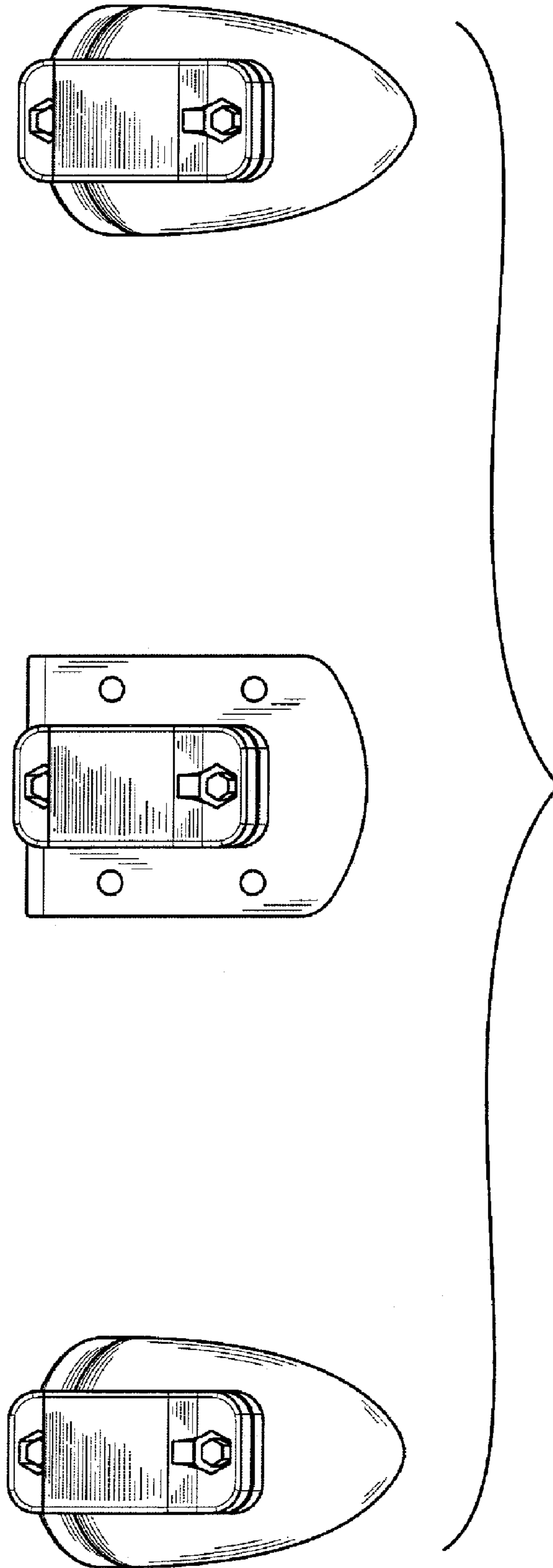


FIG. 5

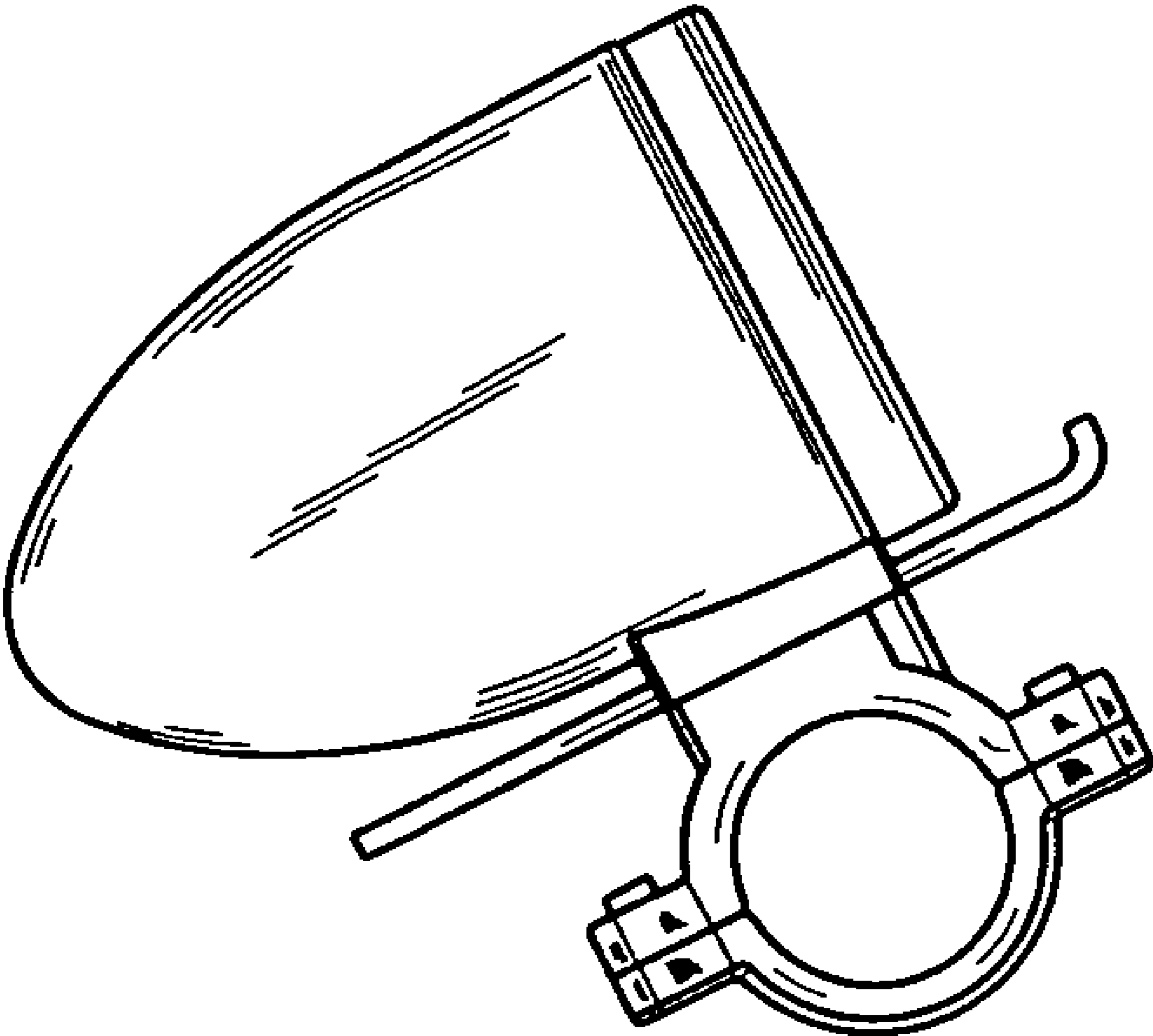


FIG. 6