



US00D552515S

(12) **United States Design Patent**
Prosser et al.

(10) **Patent No.:** **US D552,515 S**

(45) **Date of Patent:** **** Oct. 9, 2007**

(54) **CAB FOR TRUCK OR TRUCK-TRACTOR**

D441,363 S * 5/2001 Heard et al. D14/403

(75) Inventors: **Jerry R. Prosser**, Blythewood, SC
(US); **Jeffrey P. Hurey**, Sidney, OH
(US)

* cited by examiner

Primary Examiner—Melody N. Brown

(73) Assignee: **Fontaine Modification Company**,
Charlotte, NC (US)

(74) *Attorney, Agent, or Firm*—Myers Bigel Sibley &
Sajovec, P.A.

(**) Term: **14 Years**

(57) **CLAIM**

(21) Appl. No.: **29/225,627**

The ornamental design for a cab for truck or truck-tractor, as
shown and described.

(22) Filed: **Mar. 18, 2005**

DESCRIPTION

(51) **LOC (8) Cl.** **12-16**

FIG. 1 is a front perspective view showing our new cab for
truck or truck-tractor;

(52) **U.S. Cl.** **D12/96**

FIG. 2 is a front view thereof;

(58) **Field of Classification Search** D12/96,
D12/93; 296/190.1–190.3; D34/34–37;
D15/23, 25

FIG. 3 is a rear view thereof;

See application file for complete search history.

FIG. 4 is a right side view thereof, the left side view thereof
being a mirror image of that which is shown; and,

(56) **References Cited**

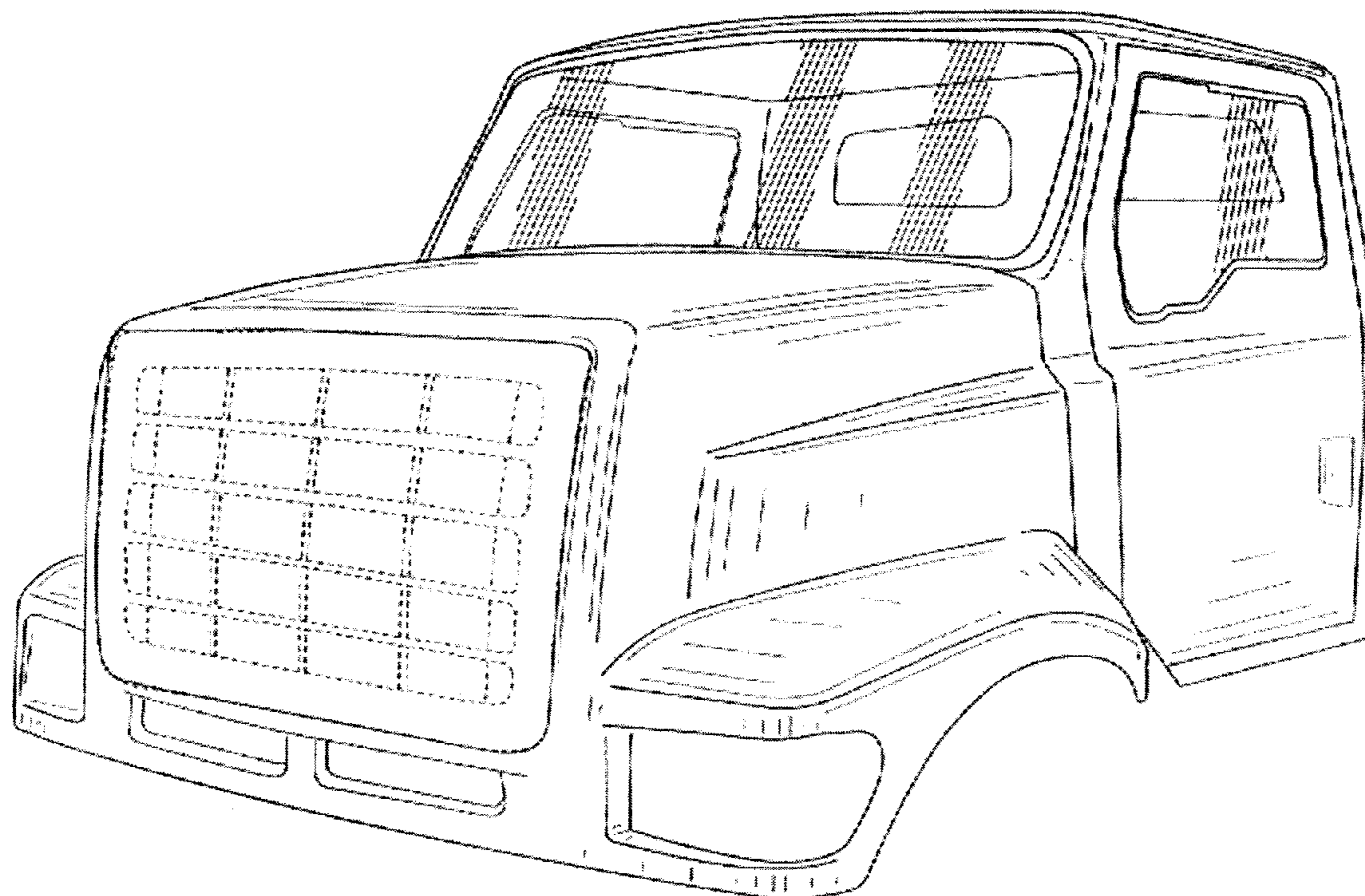
FIG. 5 is a top view thereof, the bottom view being plain and
unadorned.

U.S. PATENT DOCUMENTS

The broken lines shown herein are for illustrative purposes
only and form no part of the claimed design.

- D323,134 S * 1/1992 Lechner D12/96
- D406,553 S * 3/1999 Hellhake et al. D12/96
- D437,258 S * 2/2001 Meryman et al. D12/96
- D437,570 S * 2/2001 Meryman et al. D12/96

1 Claim, 3 Drawing Sheets



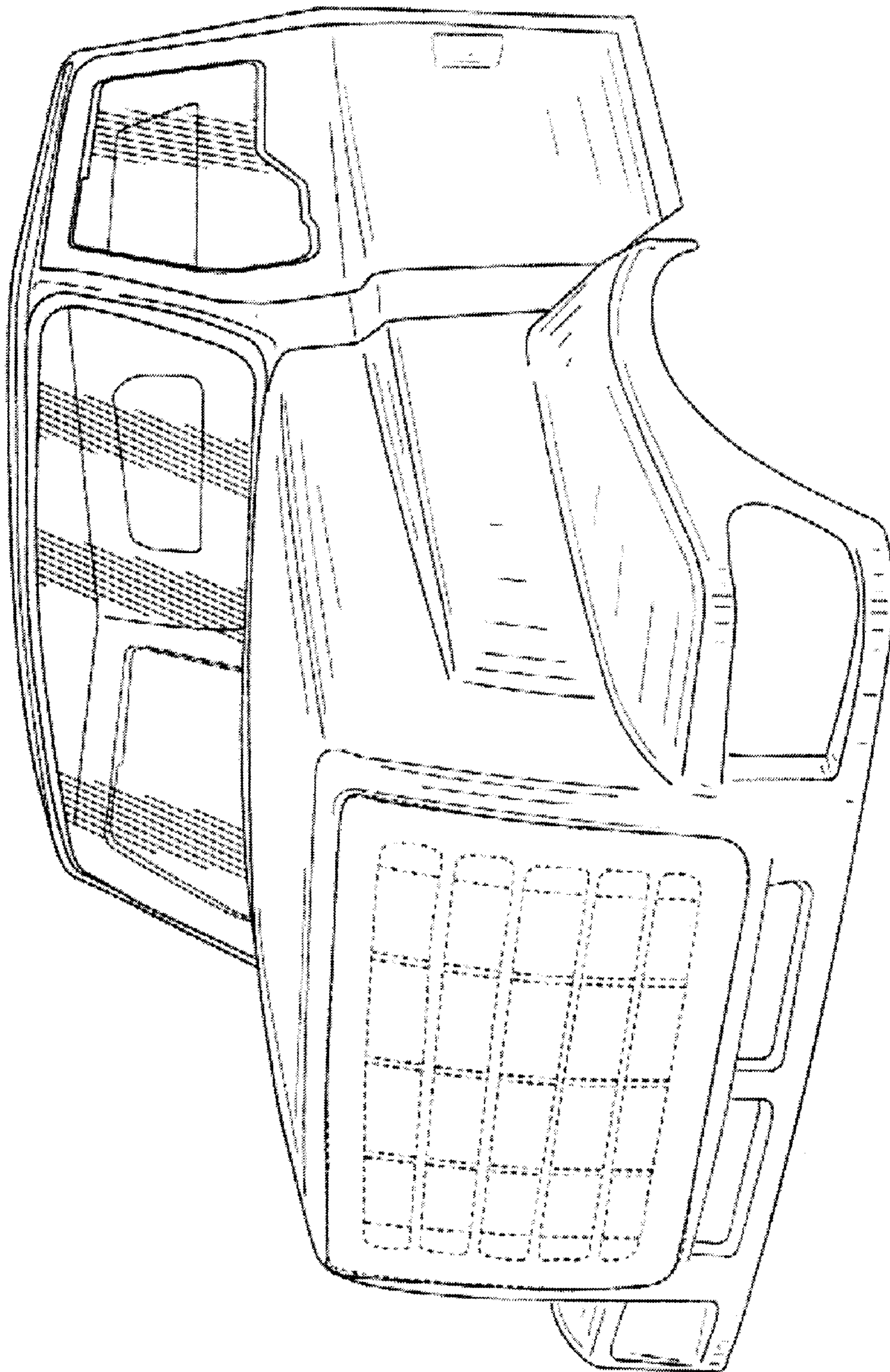


FIG. 1

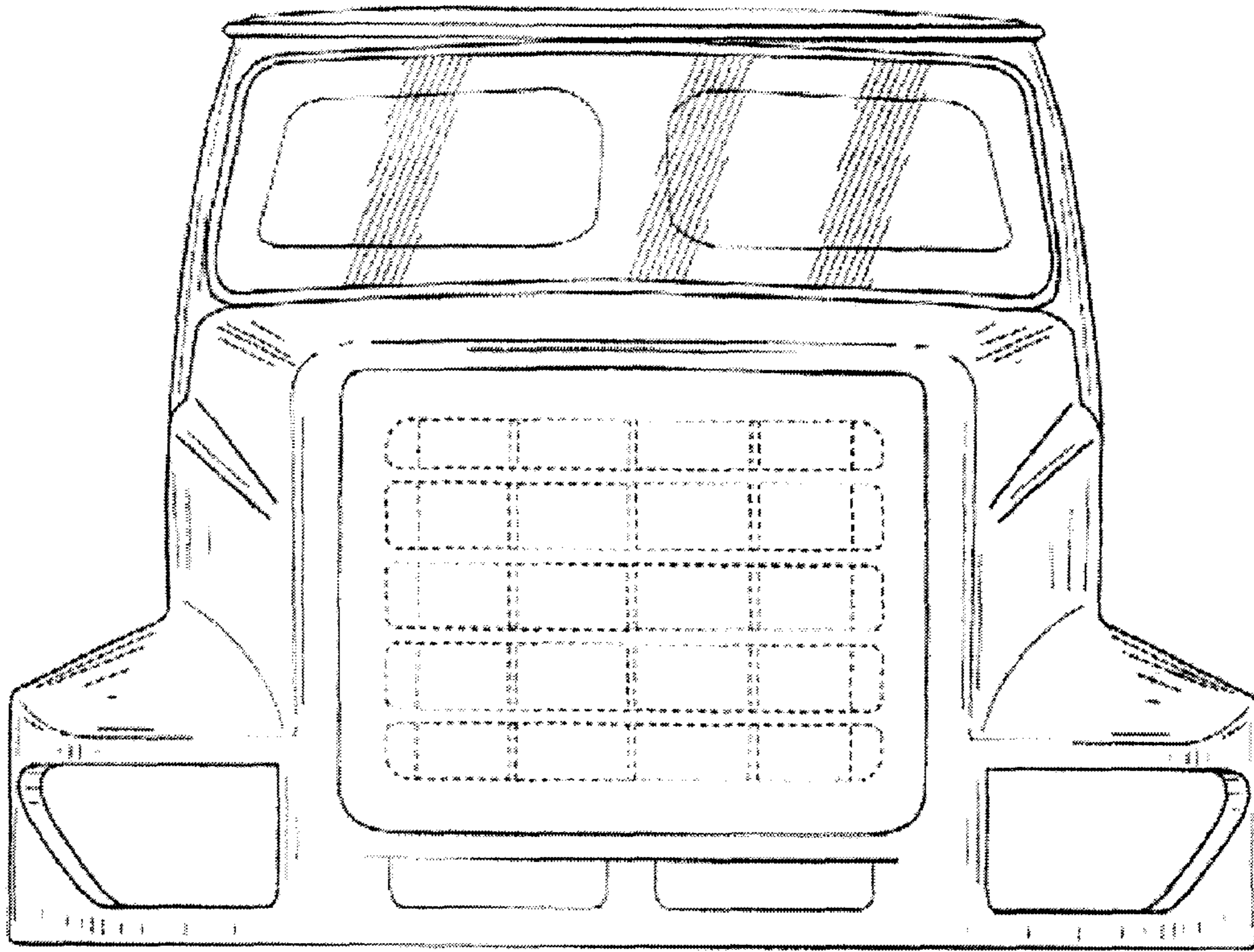


FIG. 2

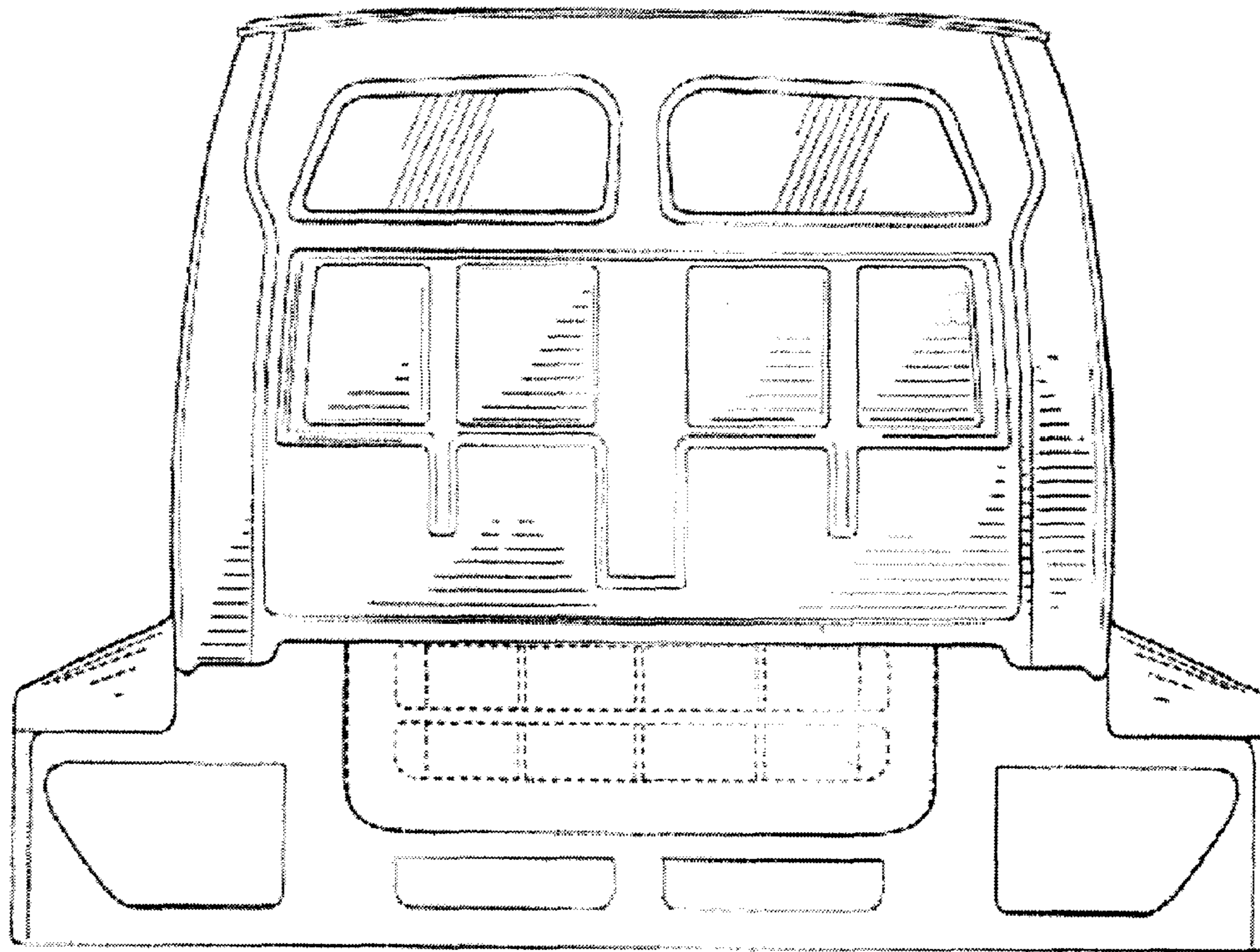


FIG. 3

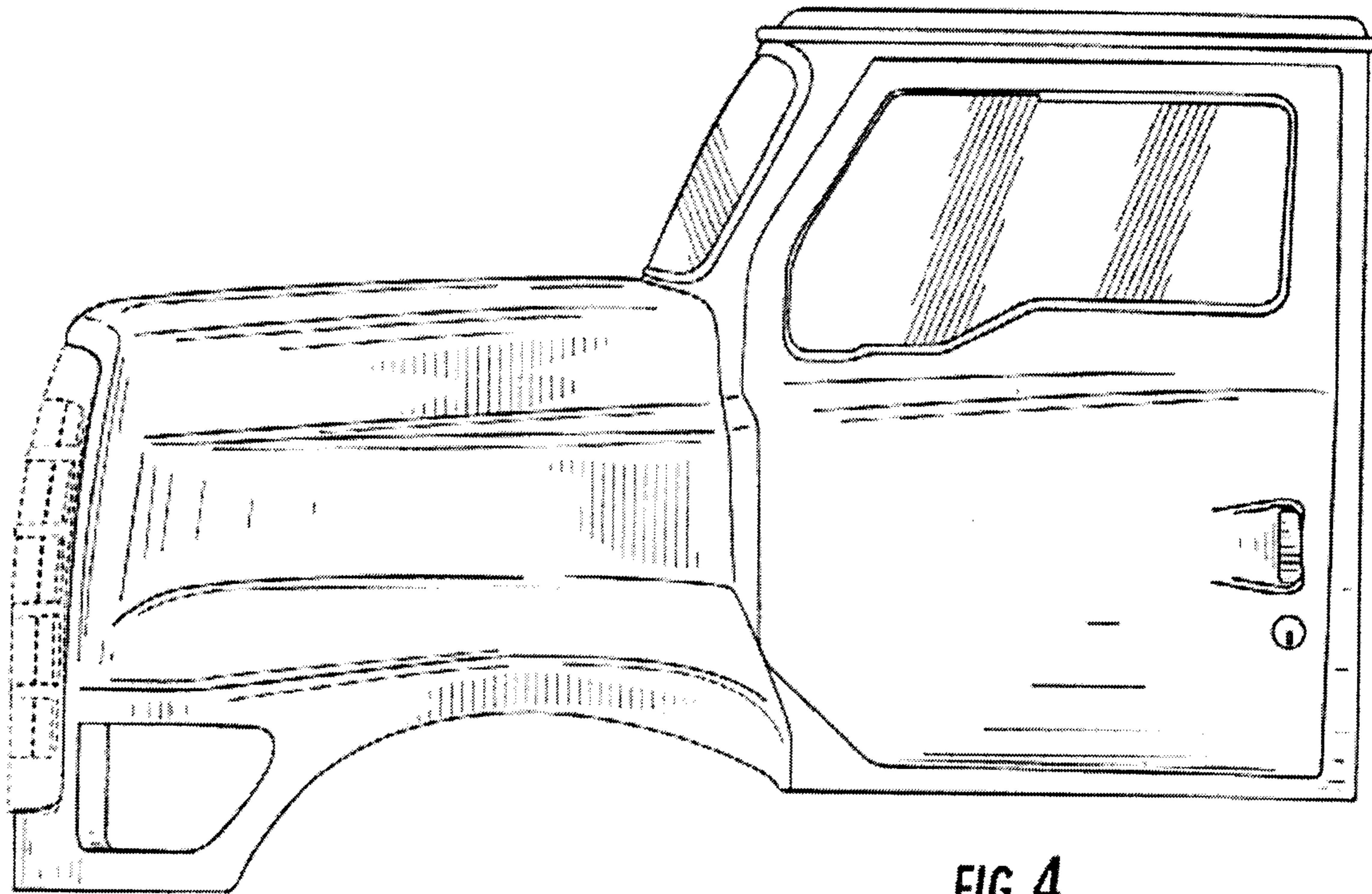


FIG. 4

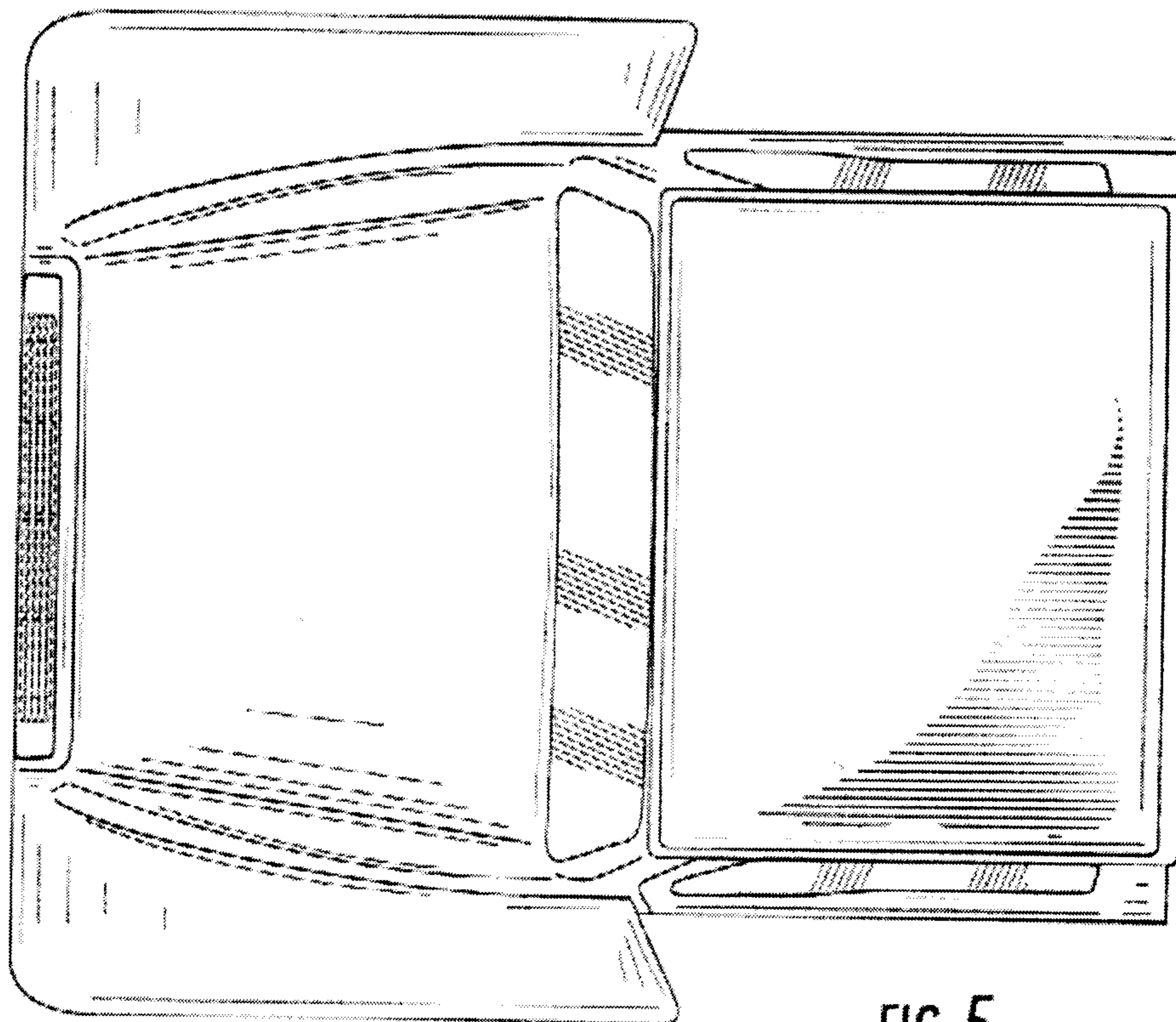


FIG. 5