



US00D552514S

(12) **United States Design Patent** (10) **Patent No.:** **US D552,514 S**  
**Castiglione et al.** (45) **Date of Patent:** **\*\* Oct. 9, 2007**

(54) **AUTOMOBILE BODY**

(75) Inventors: **Micheal R Castiglione**, Carlsbad, CA (US); **Kevin R Verduyn**, Carlsbad, CA (US); **Thomas G Tremont**, Birmingham, MI (US)

(73) Assignee: **DaimlerChrysler Corporation**, Auburn Hills, MI (US)

(\*\*) Term: **14 Years**

(21) Appl. No.: **29/276,773**

(22) Filed: **Feb. 5, 2007**

**Related U.S. Application Data**

(63) Continuation of application No. 29/244,999, filed on Dec. 16, 2005, now Pat. No. Des. 539,191.

(51) **LOC (8) Cl.** ..... **12-08**

(52) **U.S. Cl.** ..... **D12/92**

(58) **Field of Classification Search** ..... D12/90-92,  
D12/86, 88; D21/424, 433, 548; 296/181.1,  
296/181.5

See application file for complete search history.

(56) **References Cited**

**U.S. PATENT DOCUMENTS**

D217,905 S 6/1970 Lamborghini  
D252,020 S 6/1979 Giugiaro  
D257,834 S 1/1981 Giugiaro  
D347,408 S 5/1994 Dreyer  
D539,191 S \* 3/2007 Castiglione et al. .... D12/92

**OTHER PUBLICATIONS**

Original advertisement "Challenger. Watch it!" featuring the 1970 Dodge Challenger R/T.

Original advertisement "That's some groovy, affordable new price too. Challenger." featuring the 1971 Dodge Challenger.

Original advertisement "Hello, new people, We have a new car for you." featuring the 1970 Plymouth 'cuda.

Original advertisement featuring the 1971 Plymouth 'Cuda.

Specifications and images of the 1970 Dodge Challenger T/A.

\* cited by examiner

*Primary Examiner*—Melody N. Brown

(74) *Attorney, Agent, or Firm*—Ralph E. Smith

(57) **CLAIM**

The ornamental design for an automobile body, as shown and described.

**DESCRIPTION**

FIG. 1 is a front perspective view of an automobile body showing our new design;

FIG. 2 is a side view thereof;

FIG. 3 is a front view thereof;

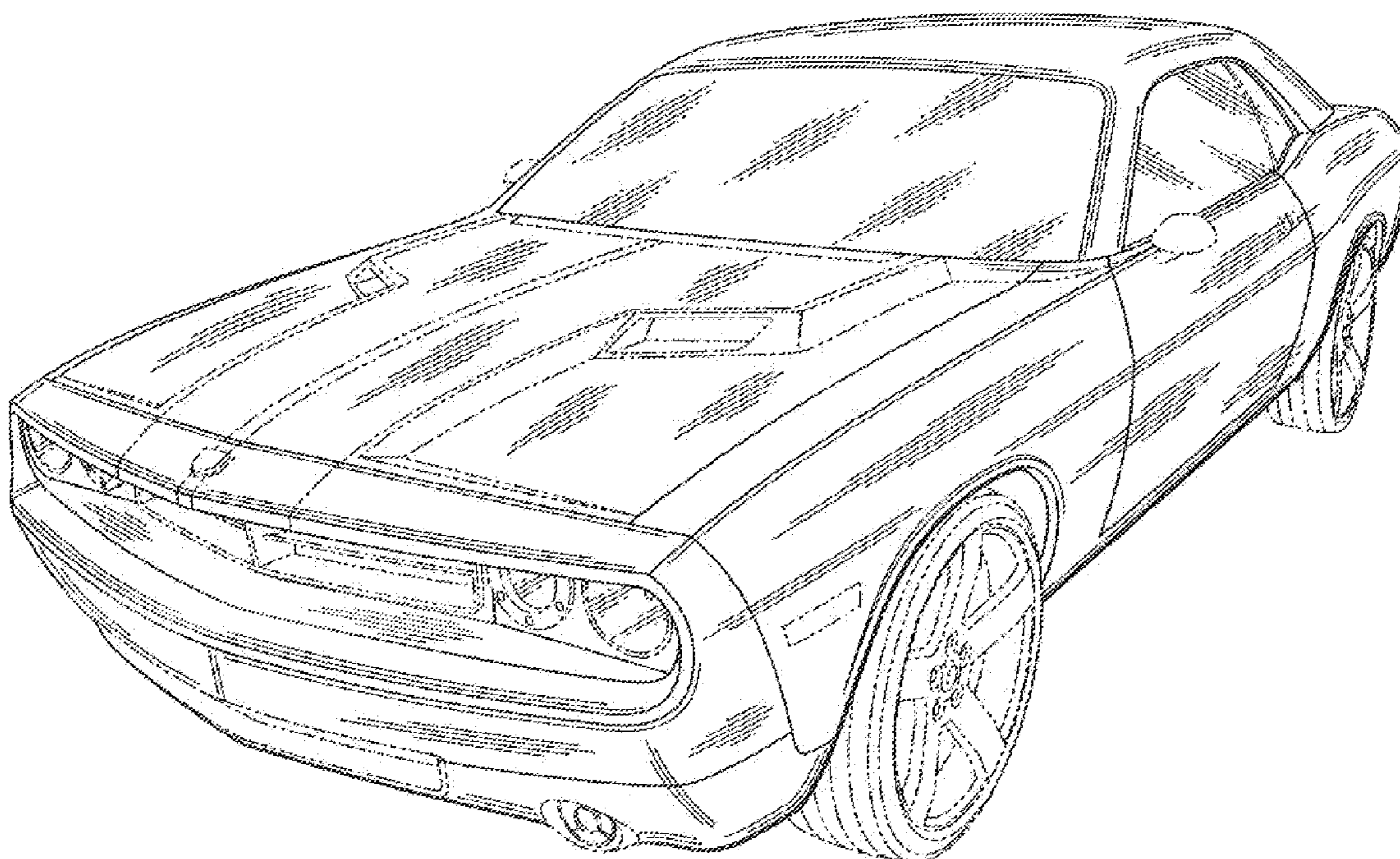
FIG. 4 is a rear view thereof; and

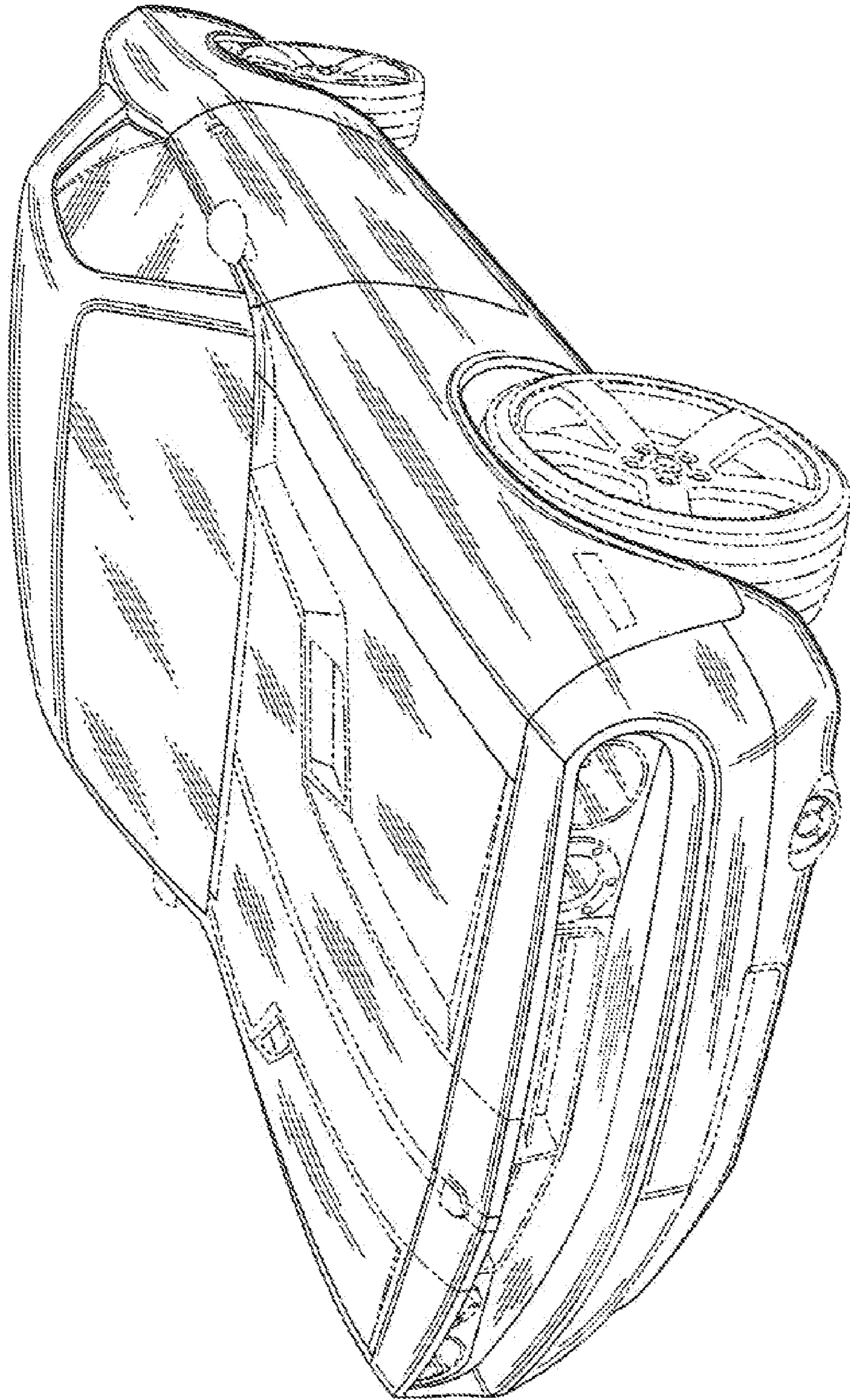
FIG. 5 is a top plan view thereof; and,

FIG. 6 is a rear perspective view thereof.

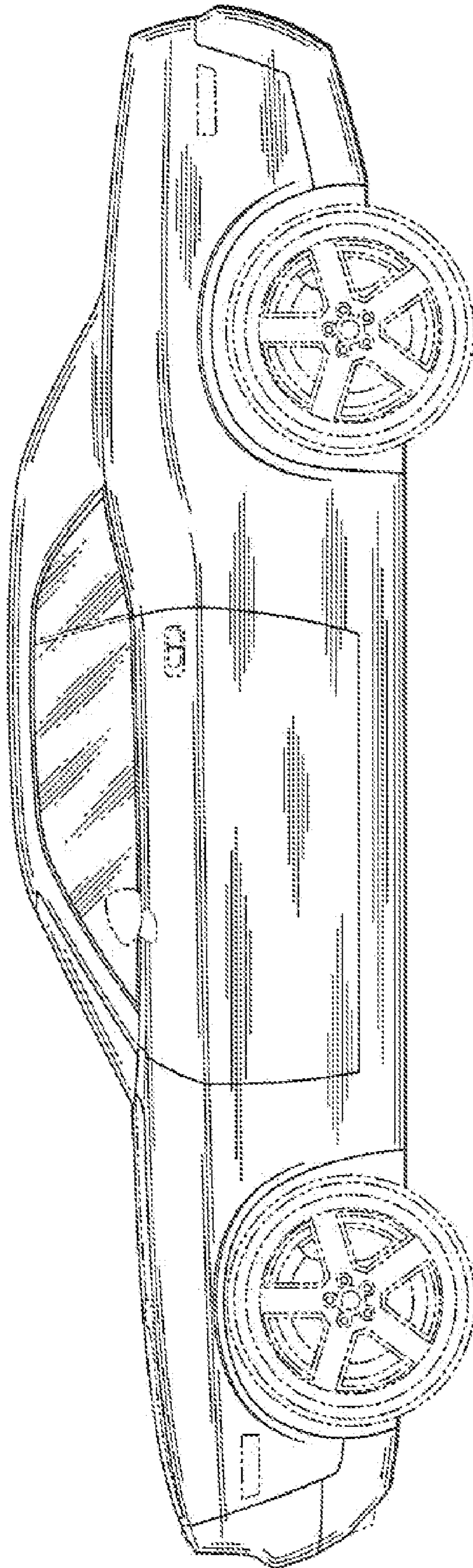
It will be understood that the broken lines presented in the drawings are for illustration only, and do not form a part of the claimed design.

**1 Claim, 5 Drawing Sheets**

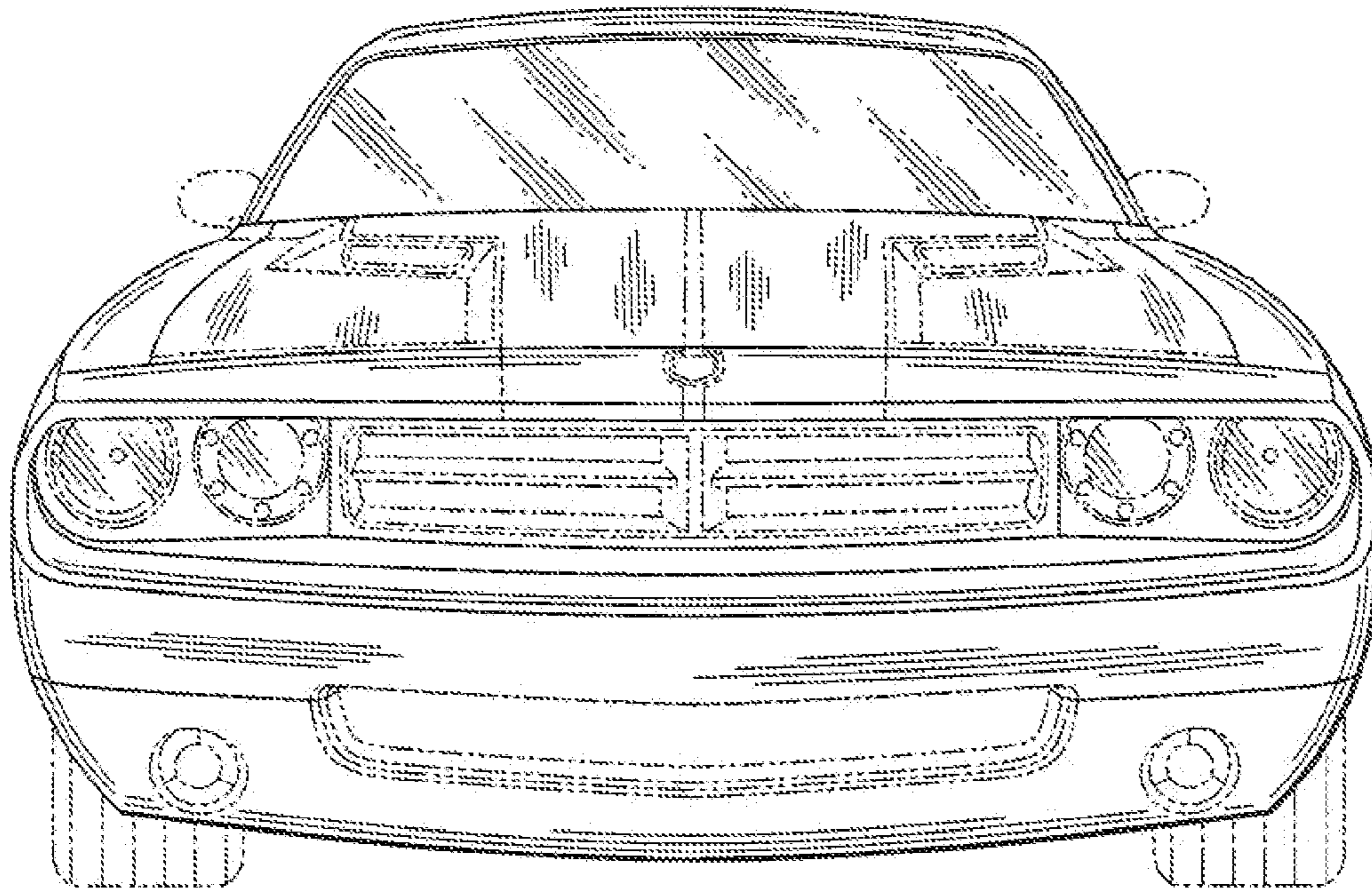




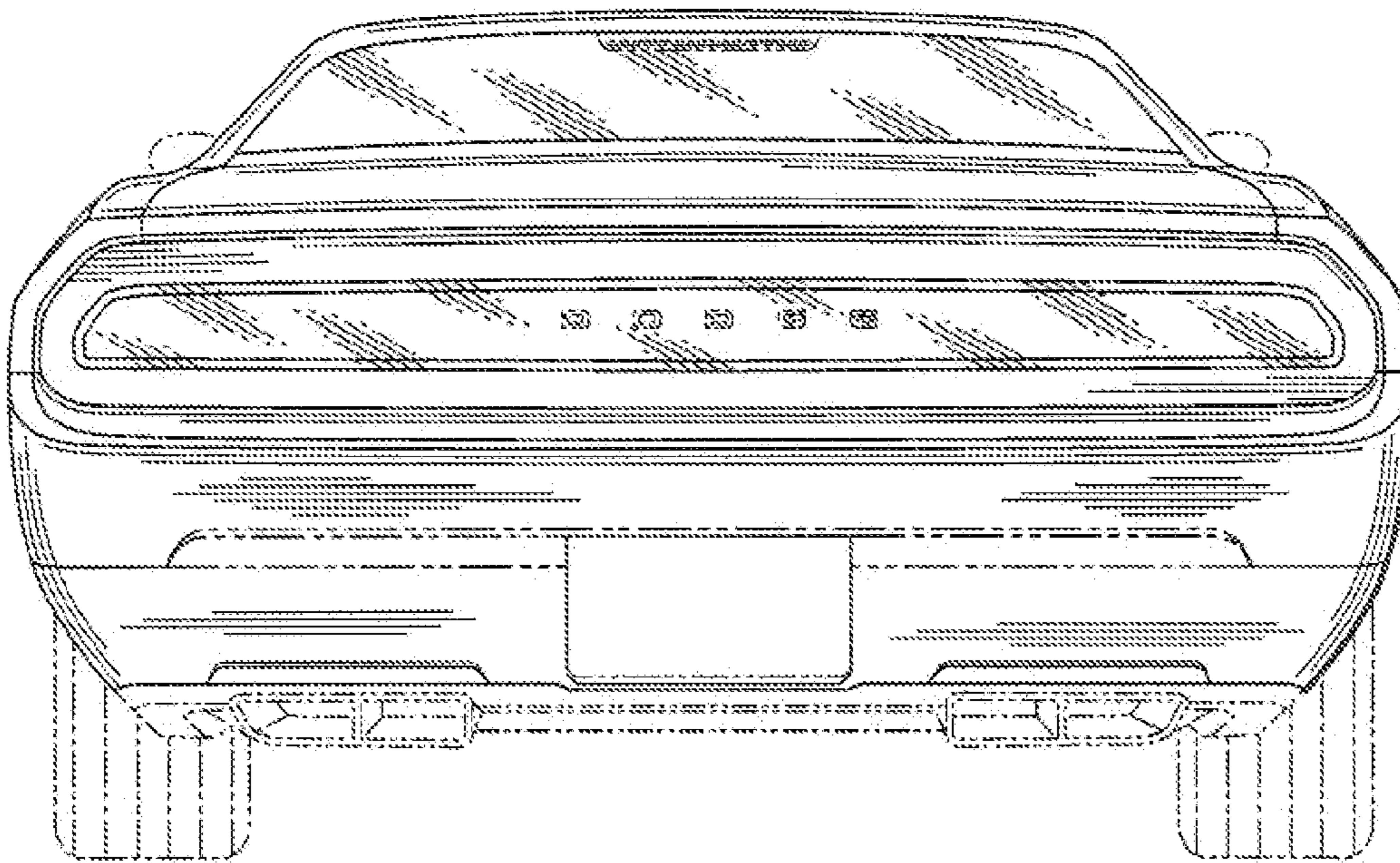
*Fig. 1*



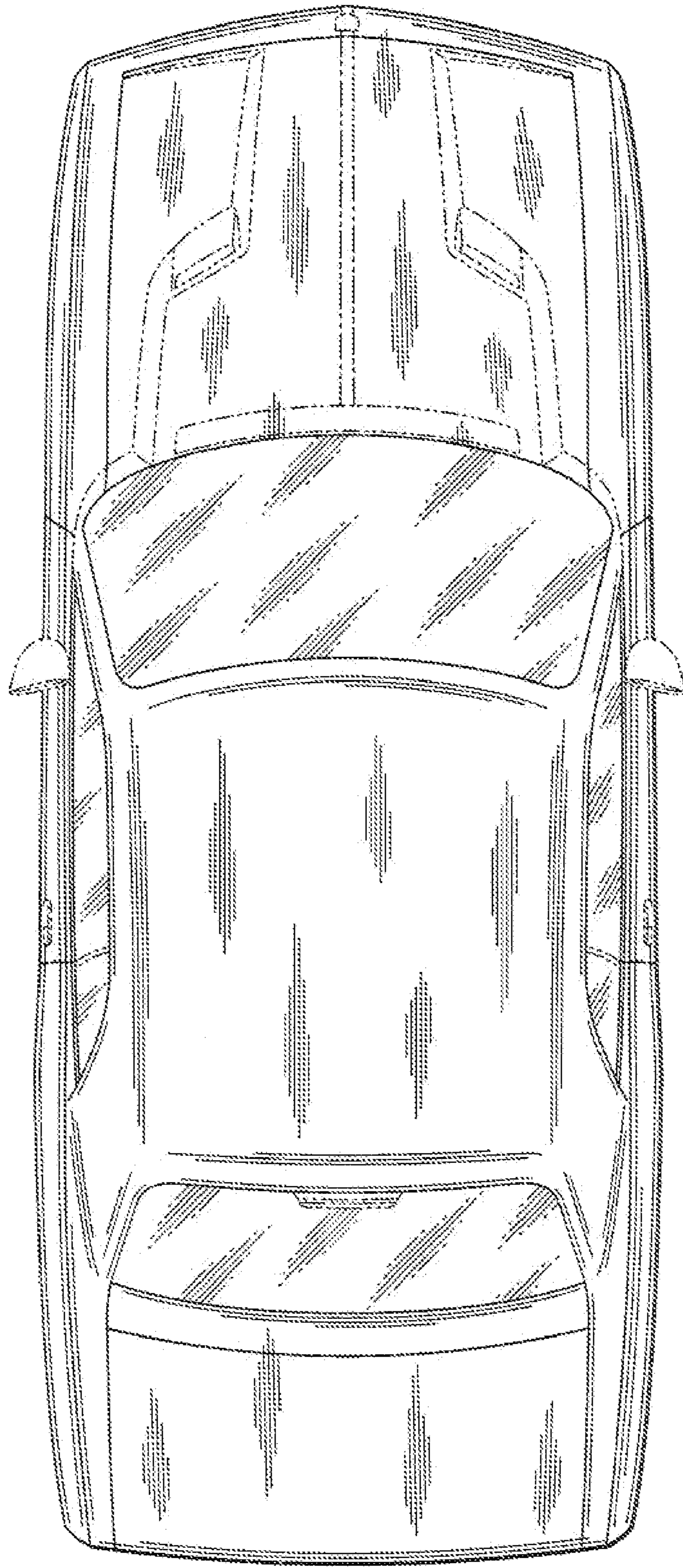
*Fig. 2*



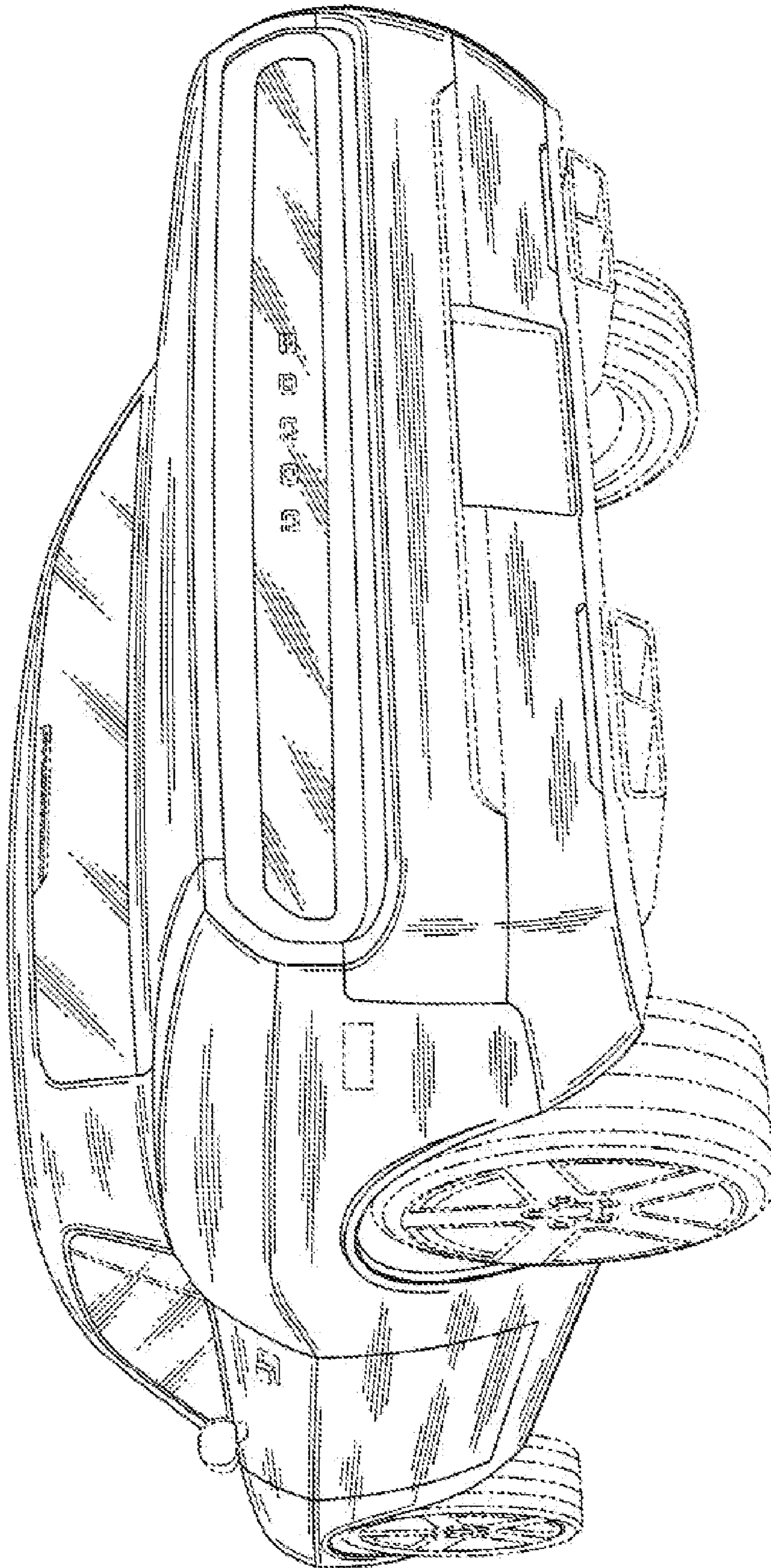
*Fig. 3*



*Fig. 4*



*Fig. 5*



*Fig. 6*