



US00D552512S

(12) **United States Design Patent**  
**Rabinowitz et al.**

(10) **Patent No.:** **US D552,512 S**

(45) **Date of Patent:** **\*\* Oct. 9, 2007**

(54) **AUTOMOBILE BODY**

D525,915 S \* 8/2006 Minowa et al. .... D12/92  
D525,917 S \* 8/2006 Matsumoto et al. .... D12/92  
D526,935 S \* 8/2006 Wagner et al. .... D12/91

(75) Inventors: **Todd M Rabinowitz**, Farmington, MI (US); **Joseph S Dehner**, Bloomfield, MI (US)

\* cited by examiner

(73) Assignee: **DaimlerChrysler Corporation**, Auburn Hills, MI (US)

*Primary Examiner*—Melody N. Brown

(74) *Attorney, Agent, or Firm*—Ralph R. Smith

(\*\*) Term: **14 Years**

(57) **CLAIM**

(21) Appl. No.: **29/247,479**

The ornamental design for an automobile body, as shown and described.

(22) Filed: **Jun. 21, 2006**

**DESCRIPTION**

(51) **LOC (8) Cl.** ..... **12-08**

FIG. 1 is a front view of an automobile body showing our new design;

(52) **U.S. Cl.** ..... **D12/92**

FIG. 2 is a rear view thereof;

(58) **Field of Classification Search** ..... D12/90–92,

FIG. 3 is a side view thereof;

D12/86; D21/424, 433; 296/181.1

FIG. 4 is a front perspective view thereof;

See application file for complete search history.

FIG. 5 is a rear perspective view thereof; and,

(56) **References Cited**

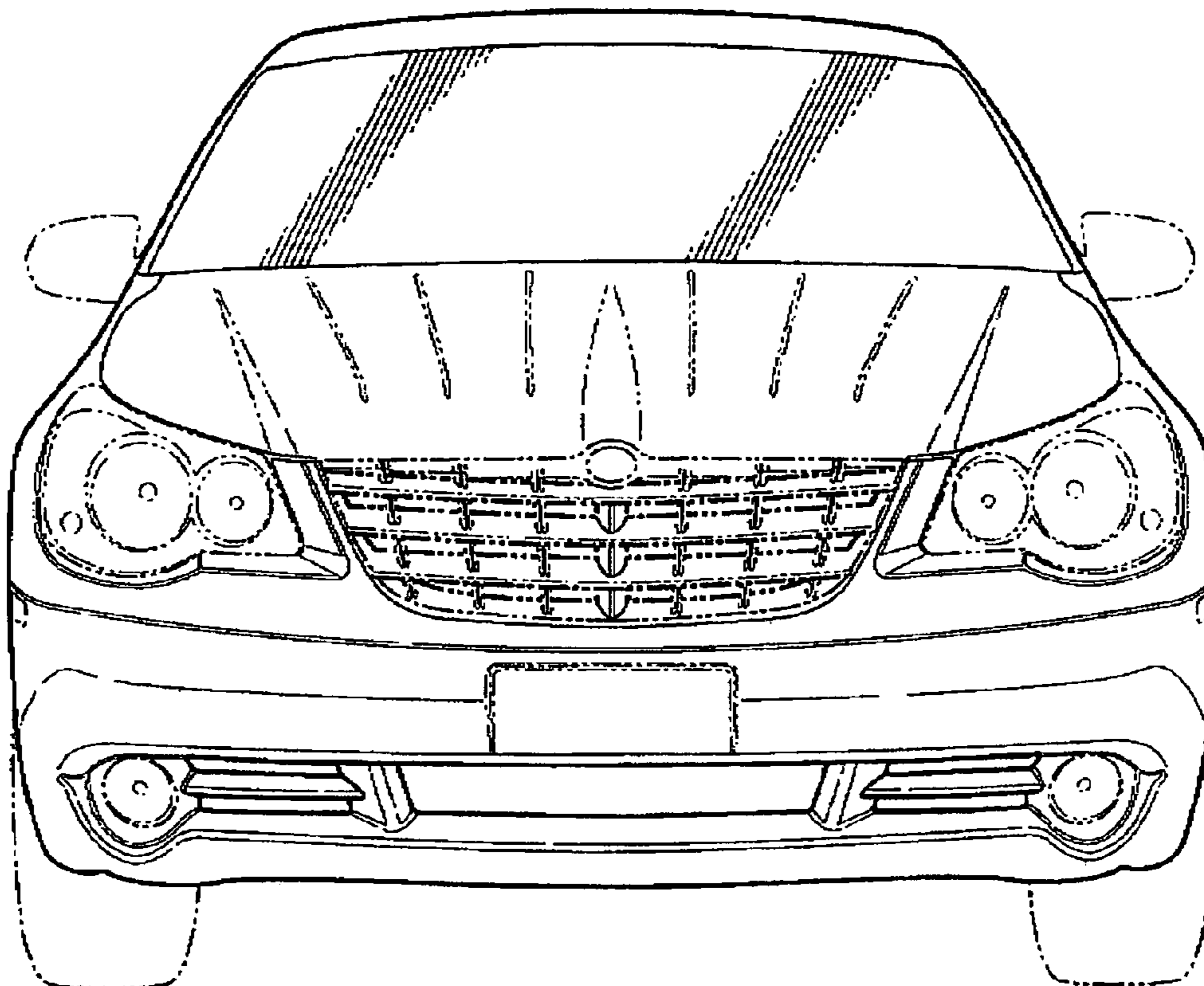
FIG. 6 is a top plan view thereof.

**U.S. PATENT DOCUMENTS**

It will be understood that the broken lines presented in the drawings are for illustration only, and do not form a part of the claimed design.

D440,526 S 4/2001 Dehner et al.  
D442,518 S 5/2001 Dehner et al.  
D455,676 S 4/2002 Stoddard et al.  
D483,696 S 12/2003 Howell et al.  
D490,023 S 5/2004 Howell et al.

**1 Claim, 6 Drawing Sheets**



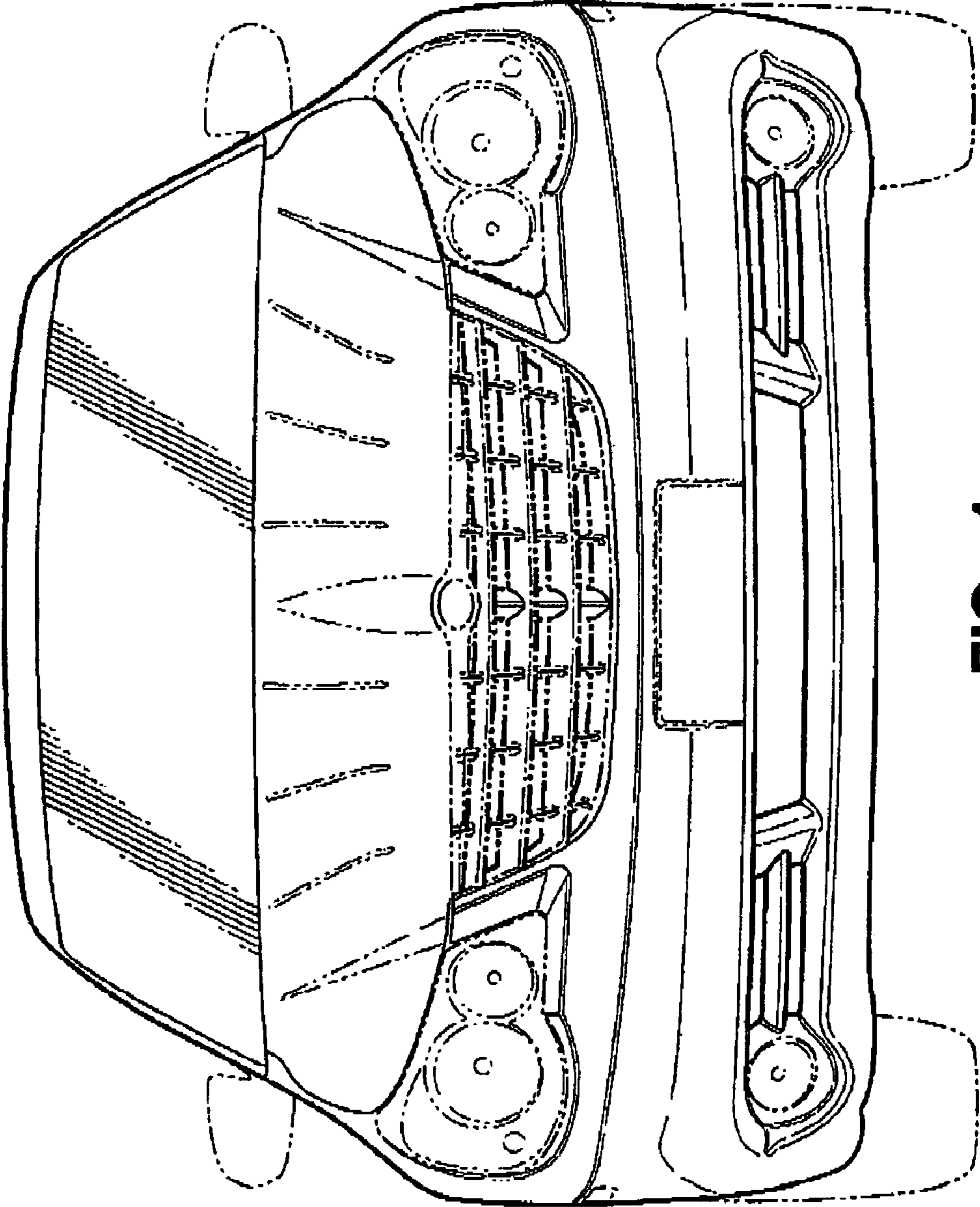
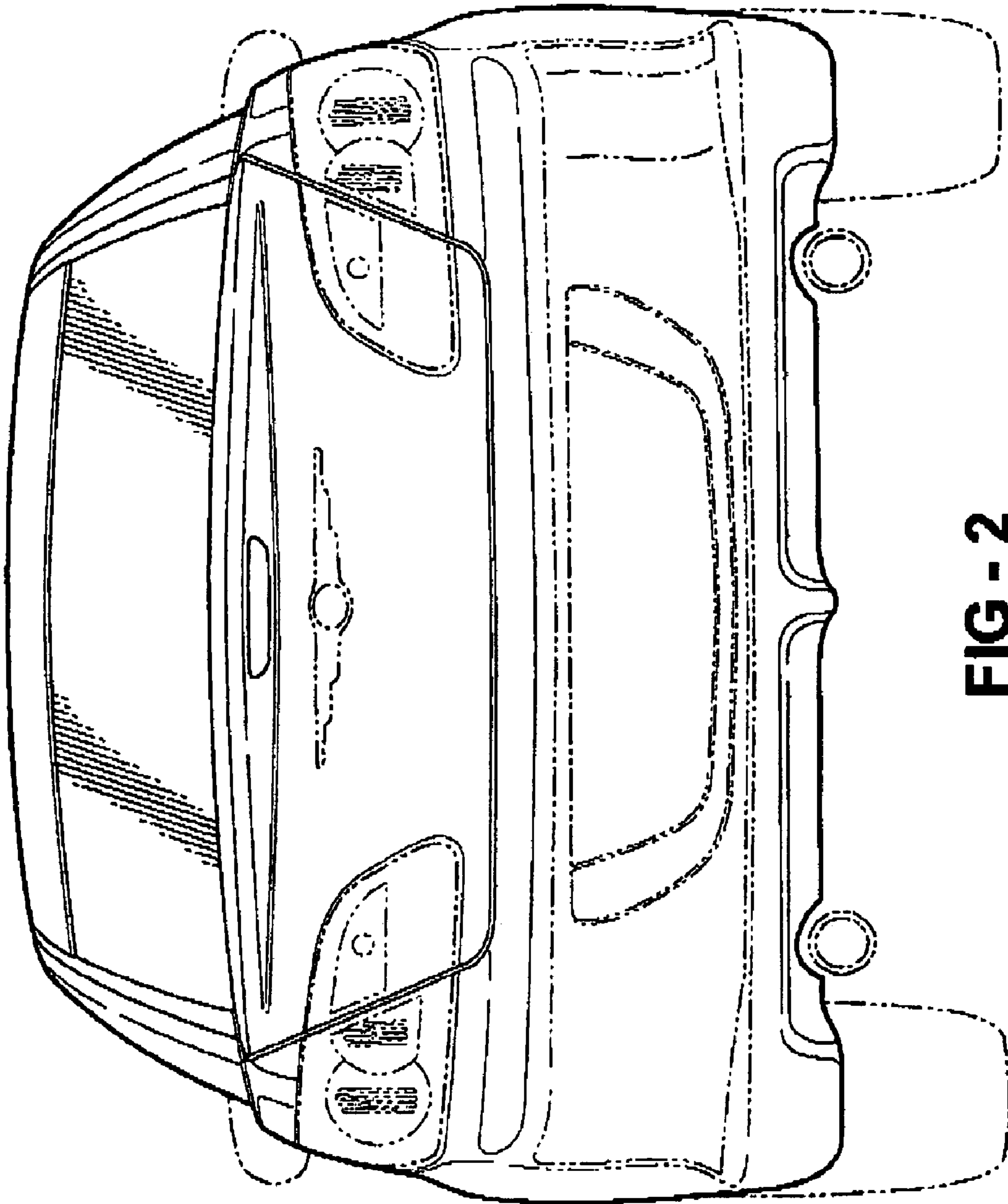
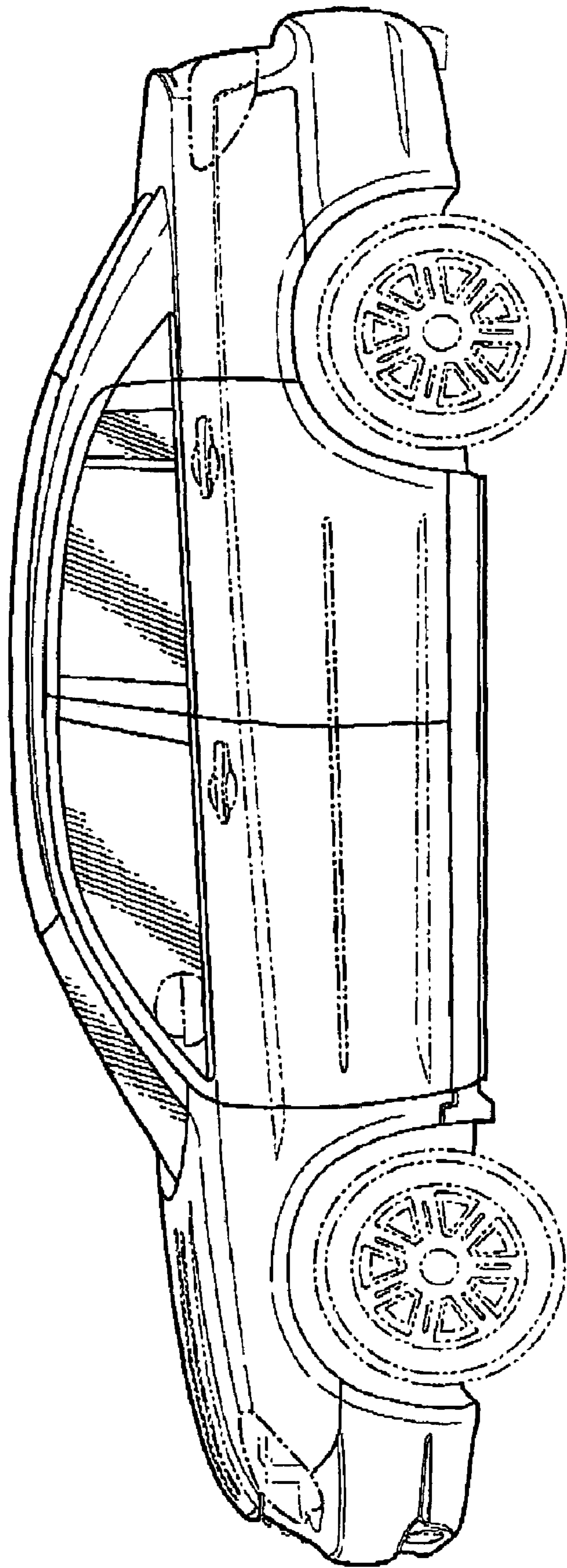


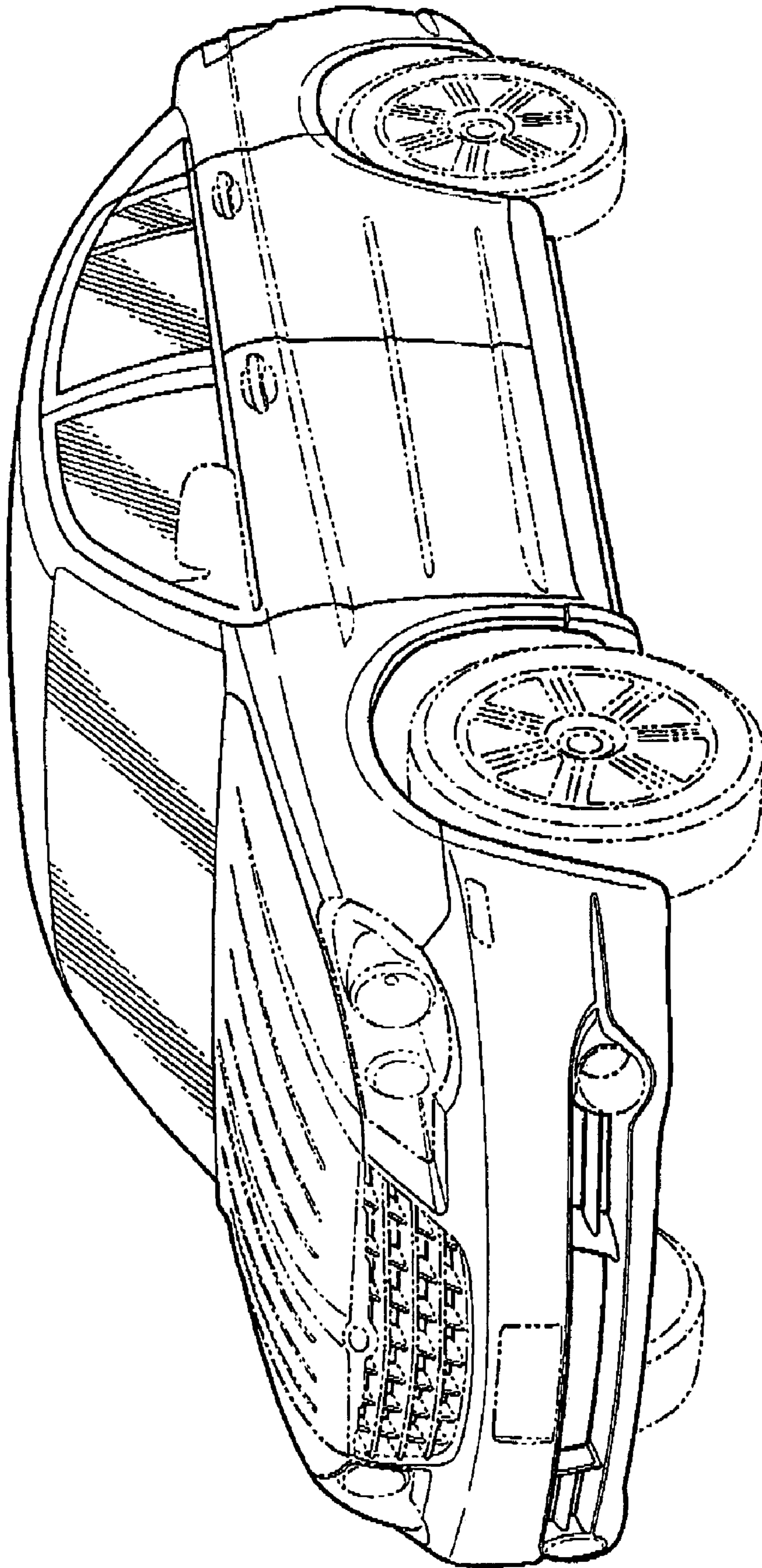
FIG - 1



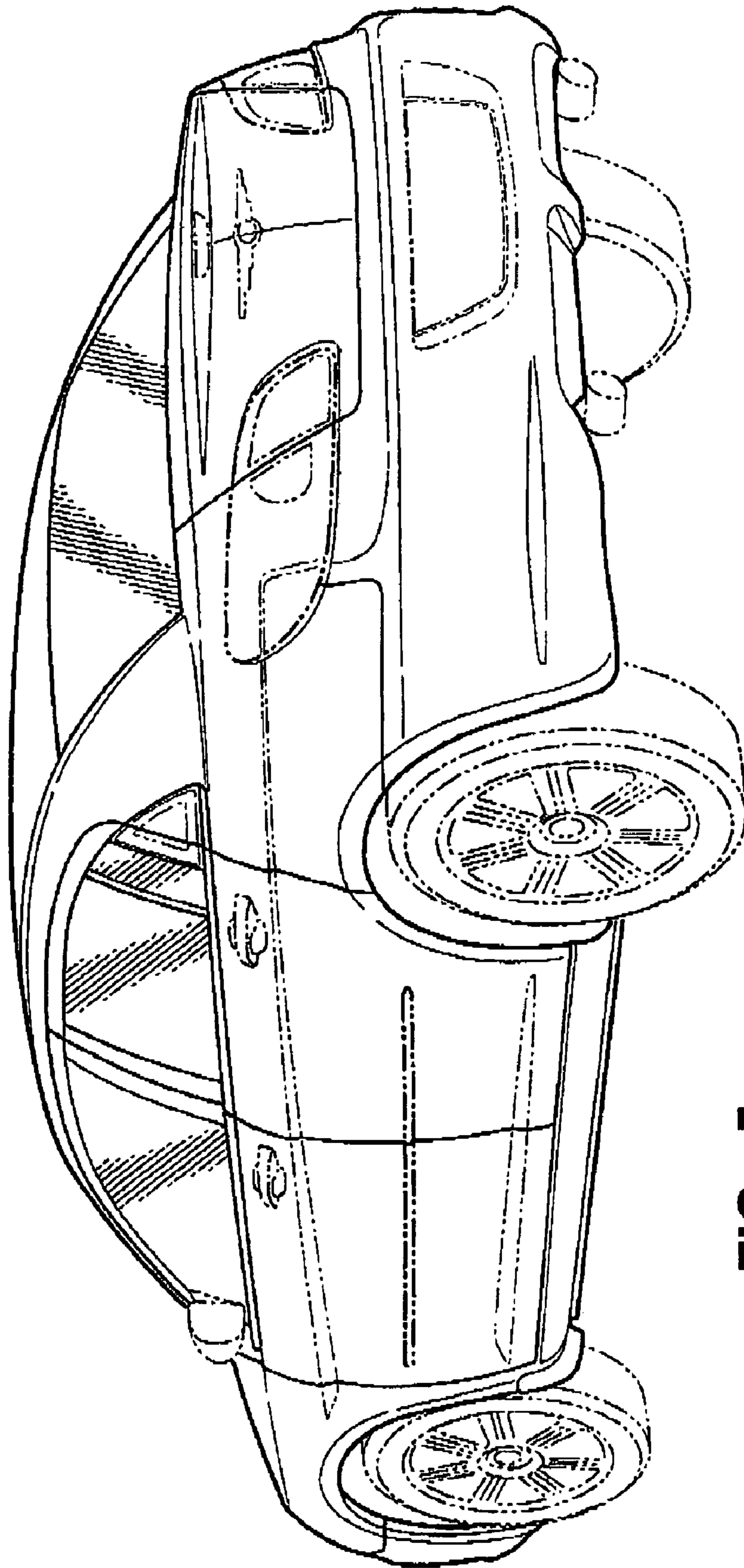
**FIG - 2**



**FIG - 3**



**FIG - 4**



**FIG - 5**

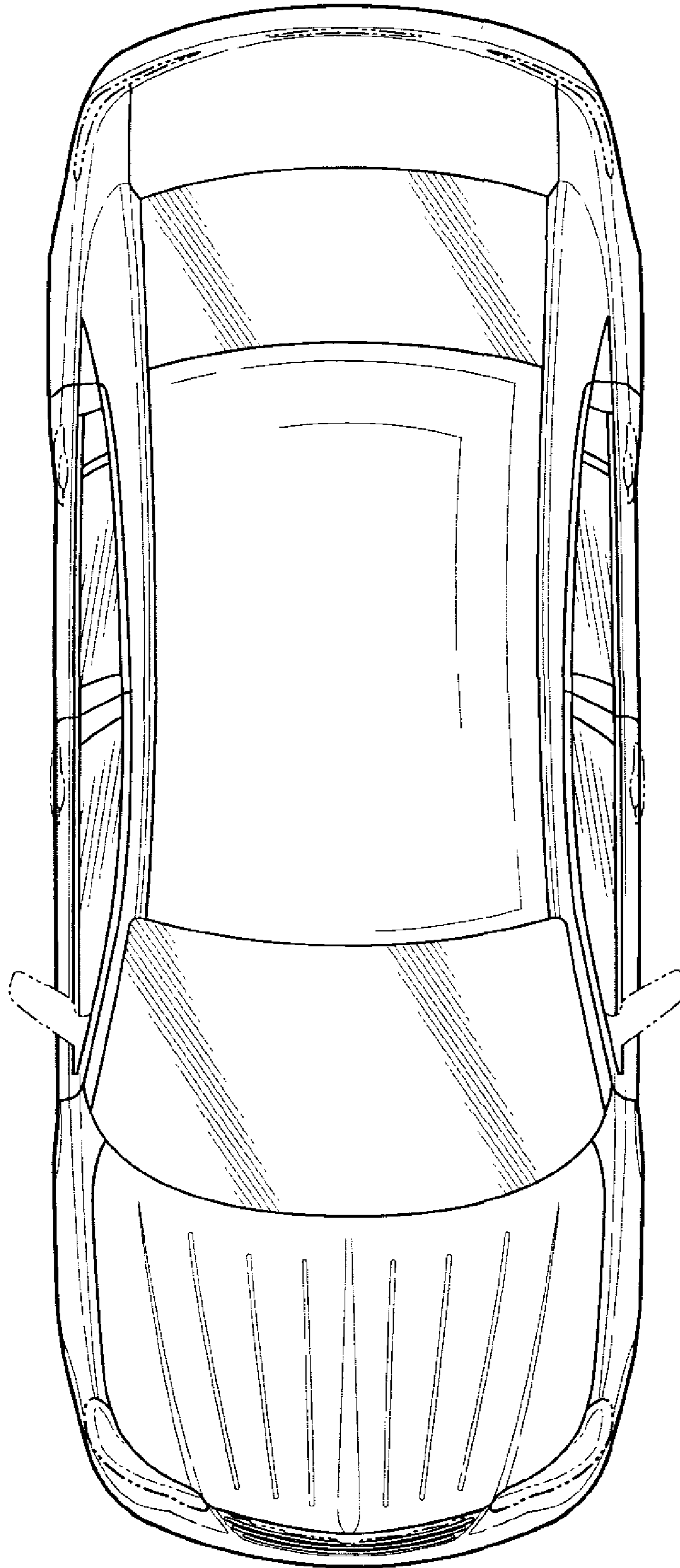


FIG - 6