

US00D552510S

(12) **United States Design Patent**
Costa

(10) **Patent No.:** **US D552,510 S**

(45) **Date of Patent:** **** Oct. 9, 2007**

(54) **CAR INCLUDING TOY-CAR, MOTOR CAR,
REPLICA CAR AND SCALE-MODEL-CAR**

D471,489 S *	3/2003	Greenfield	D12/88
D506,415 S *	6/2005	Byrne	D12/88
D526,598 S *	8/2006	Singer et al.	D12/88
D528,041 S *	9/2006	Costa	D12/88

(75) Inventor: **Aldo Costa**, Parma (IT)

(73) Assignee: **Ferrari S.p.A.**, Modena (IT)

* cited by examiner

(**) Term: **14 Years**

Primary Examiner—Melody N. Brown

(21) Appl. No.: **29/264,462**

(74) *Attorney, Agent, or Firm*—Cowan, Liebowitz & Latman PC

(22) Filed: **Aug. 10, 2006**

(57) **CLAIM**

(30) **Foreign Application Priority Data**

The ornamental design for a car including toy-car, motor car, replica car and scale-model-car, as shown and described.

Feb. 10, 2006	(EM)	000478003
Feb. 10, 2006	(EM)	000478011

DESCRIPTION

(51) **LOC (8) Cl.** **12-08**

FIG. 1 is a front perspective view of the car including toy-car, motor car, replica car and scale-model-car showing my design thereof;

(52) **U.S. Cl.** **D12/88**

FIG. 2 is a rear perspective view thereof;

(58) **Field of Classification Search** D12/86–88,
D12/92; D21/424, 433, 548–550; 296/185
See application file for complete search history.

FIG. 3 is a front view thereof;

(56) **References Cited**

FIG. 4 is a right side view thereof;

U.S. PATENT DOCUMENTS

Fig. 5 is a left side view thereof;

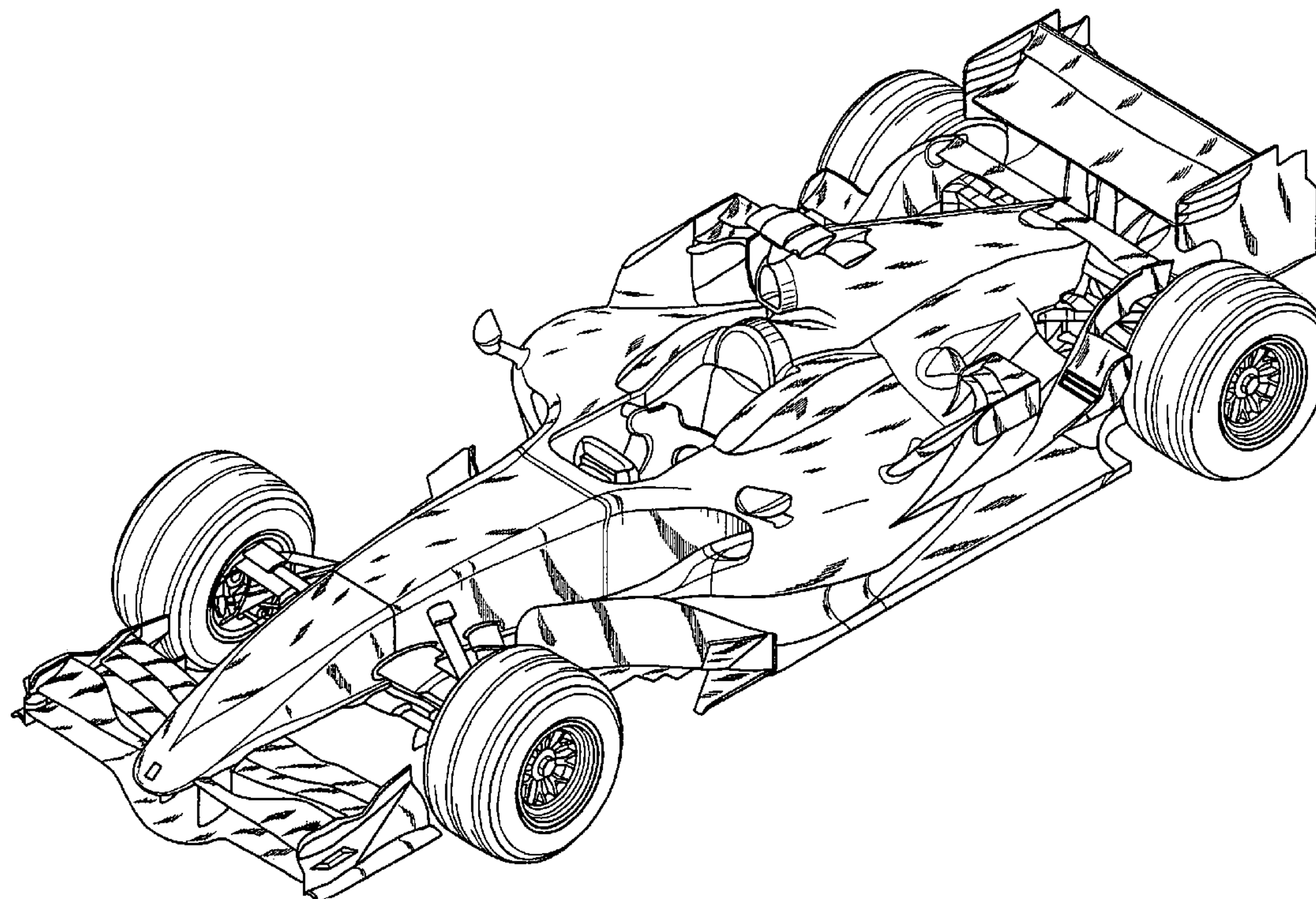
D260,913 S *	9/1981	Chapman	D21/550
D268,940 S *	5/1983	Head	D12/88
D275,940 S *	10/1984	Ogilvie	D21/550
D365,782 S *	1/1996	Reynard et al.	D12/88
D438,144 S *	2/2001	Hettler	D12/88
D465,814 S *	11/2002	Koveleski	D21/433

FIG. 6 is a rear view thereof;

FIG. 7 is a top view thereof; and,

FIG. 8 is a bottom view thereof.

1 Claim, 8 Drawing Sheets



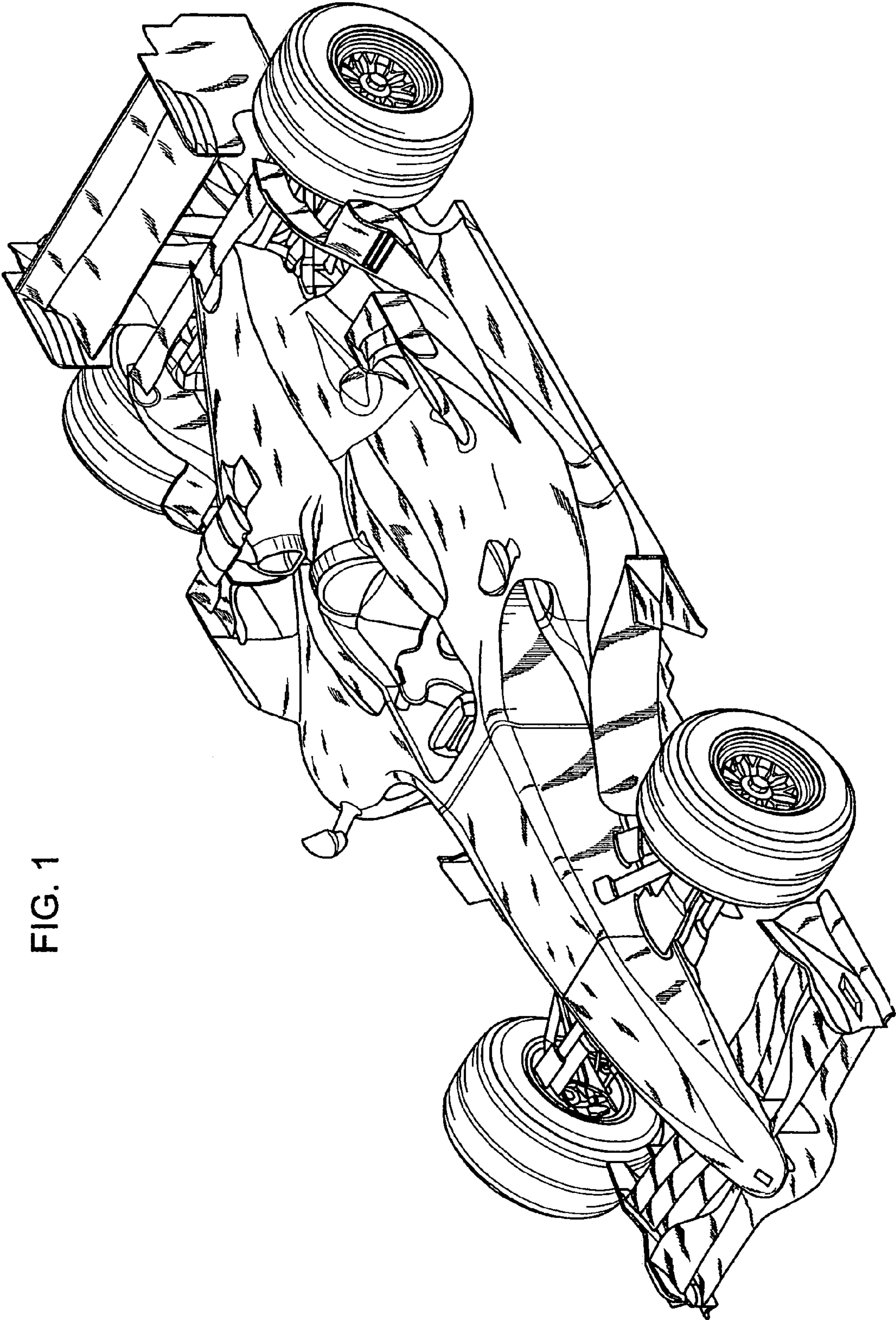


FIG. 1

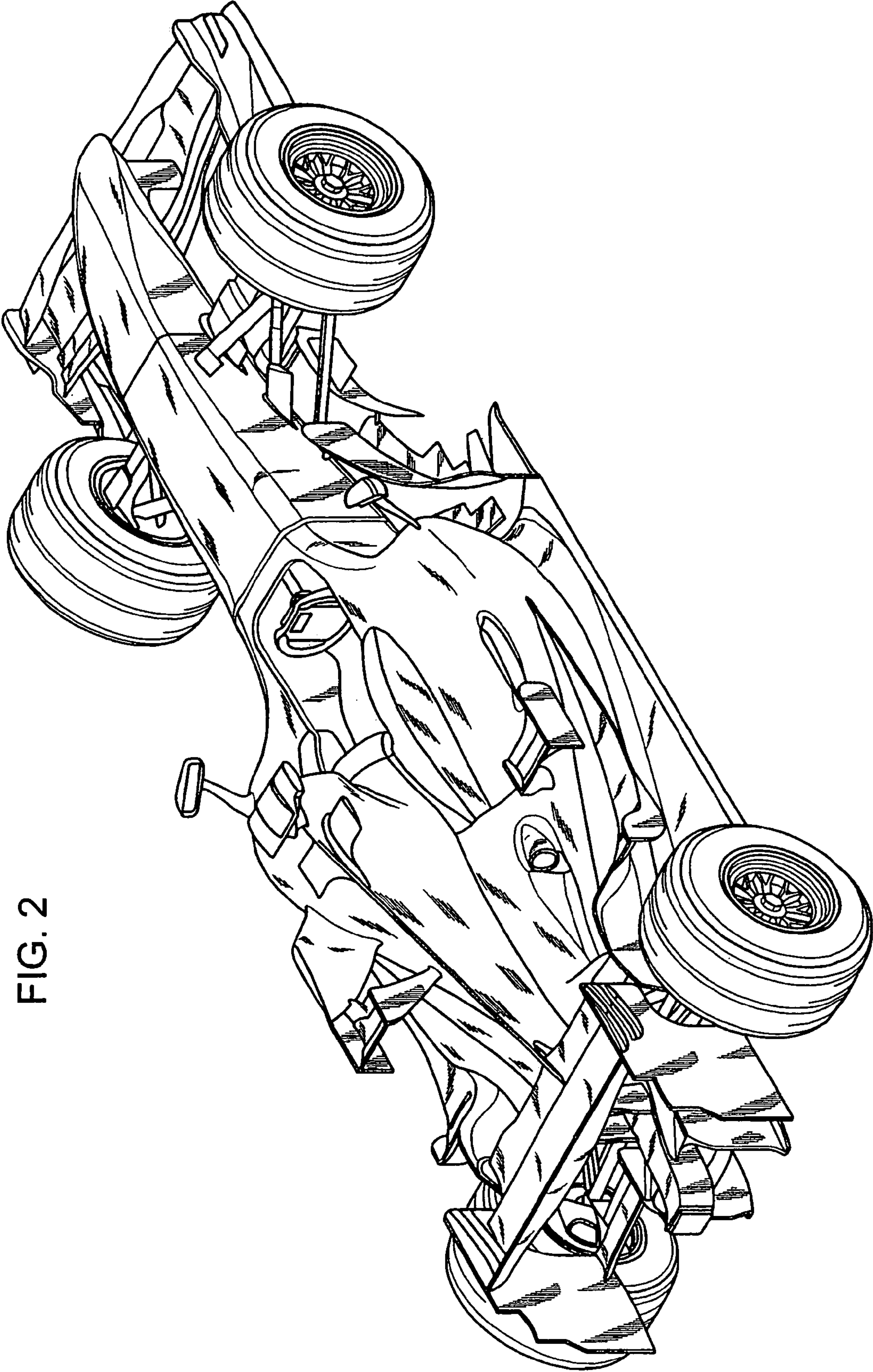


FIG. 2

FIG. 3

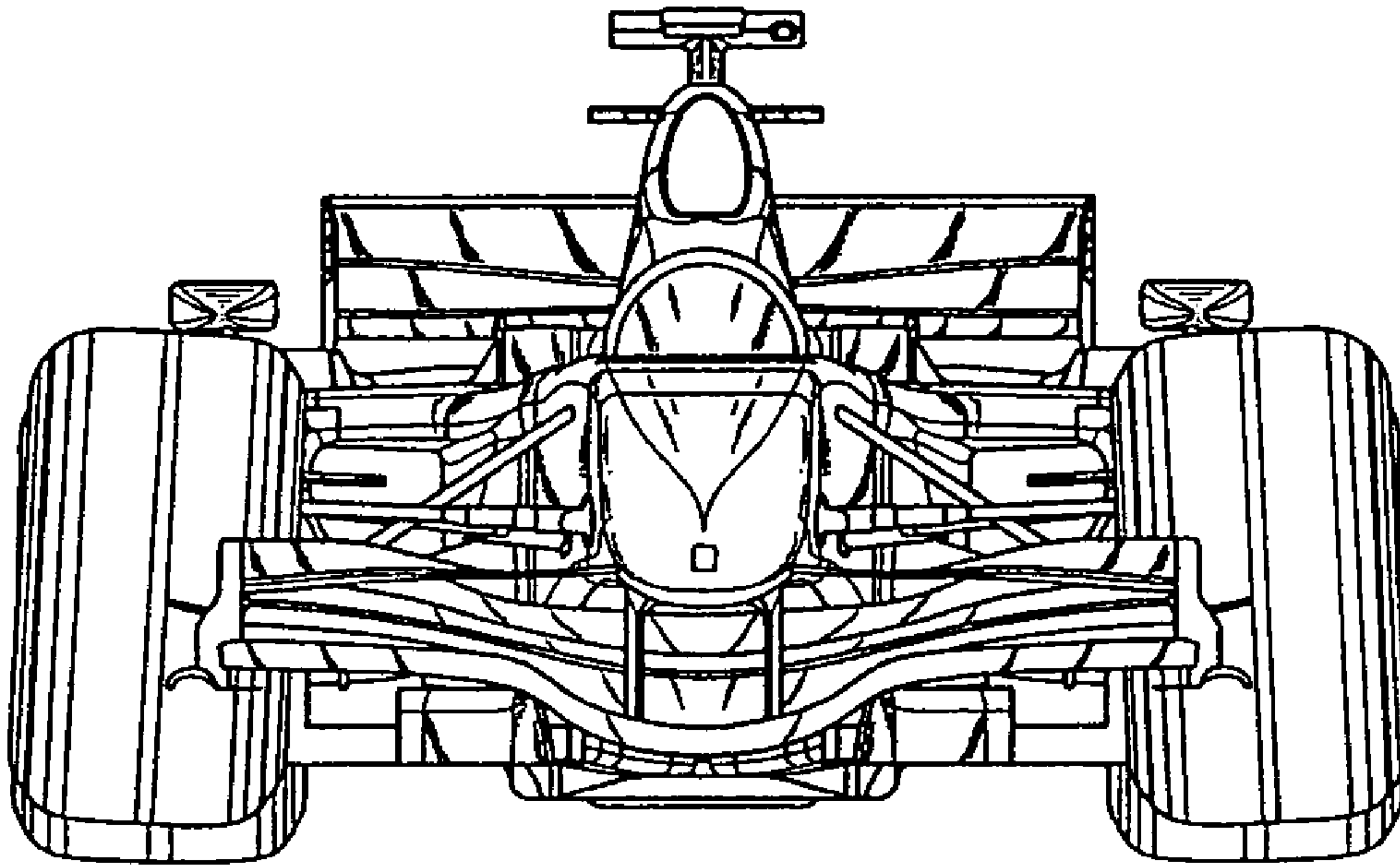


FIG. 4

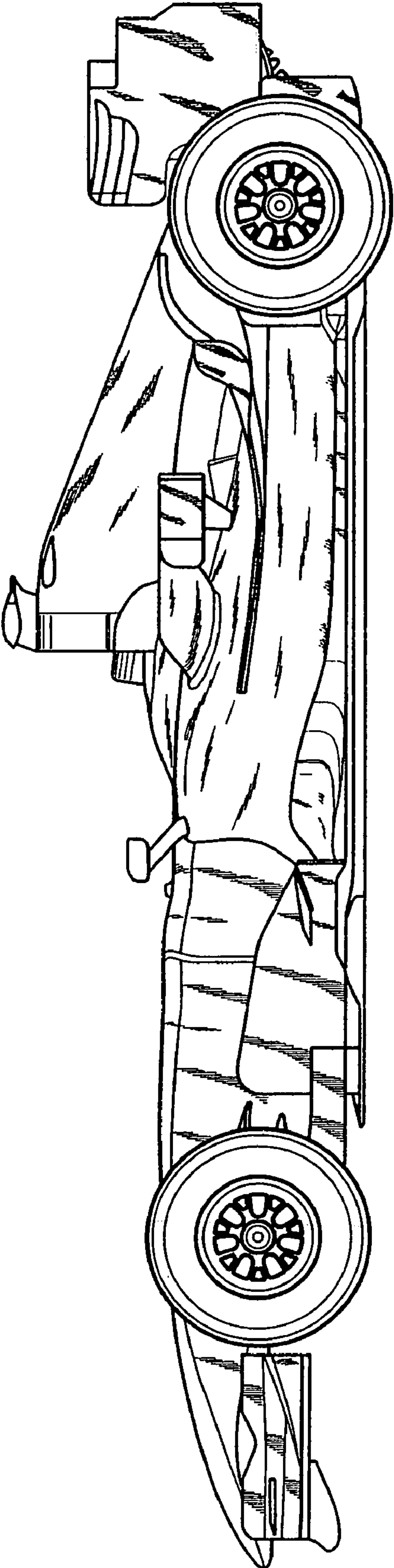


FIG. 5

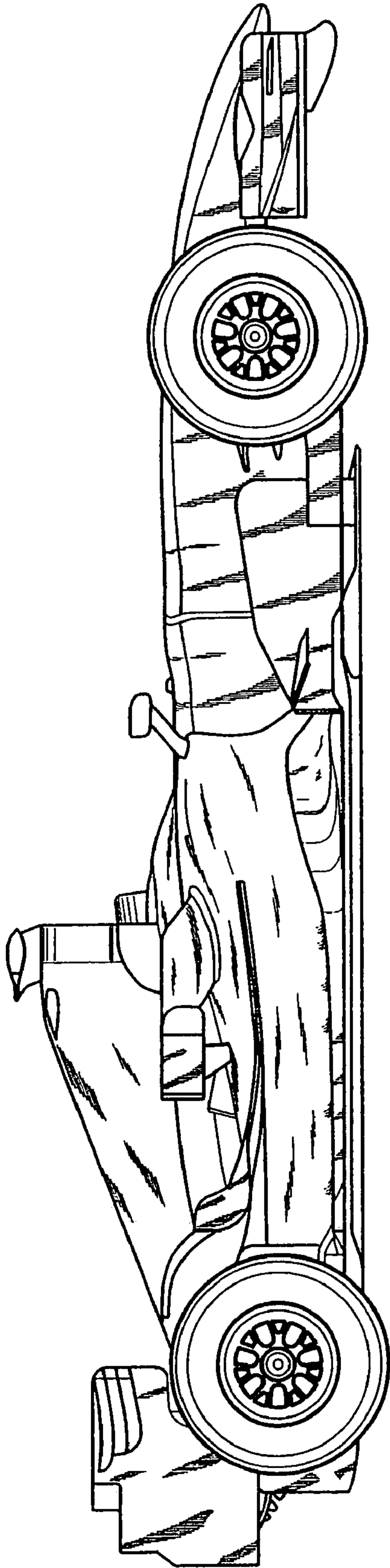


FIG. 6

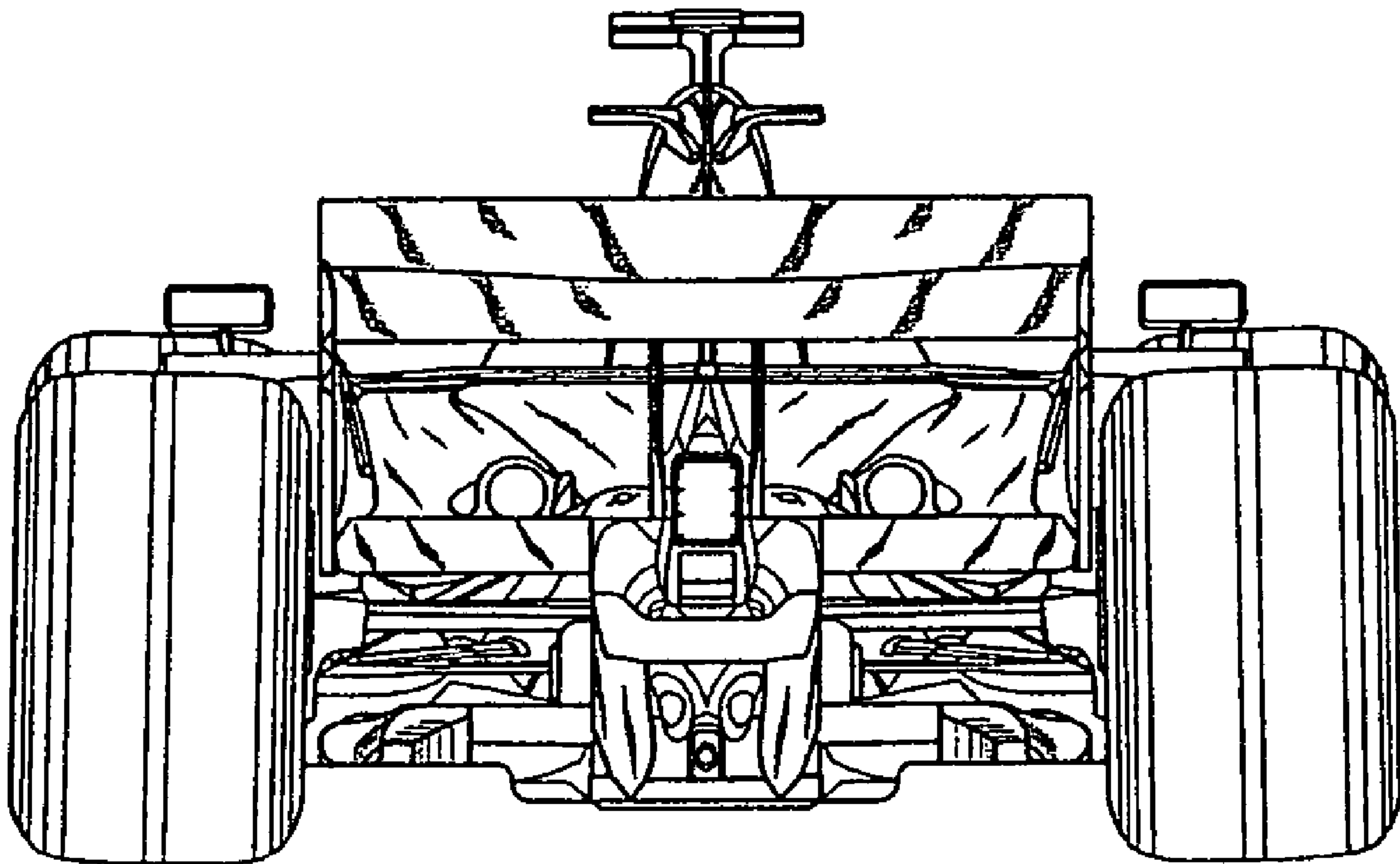


FIG. 7

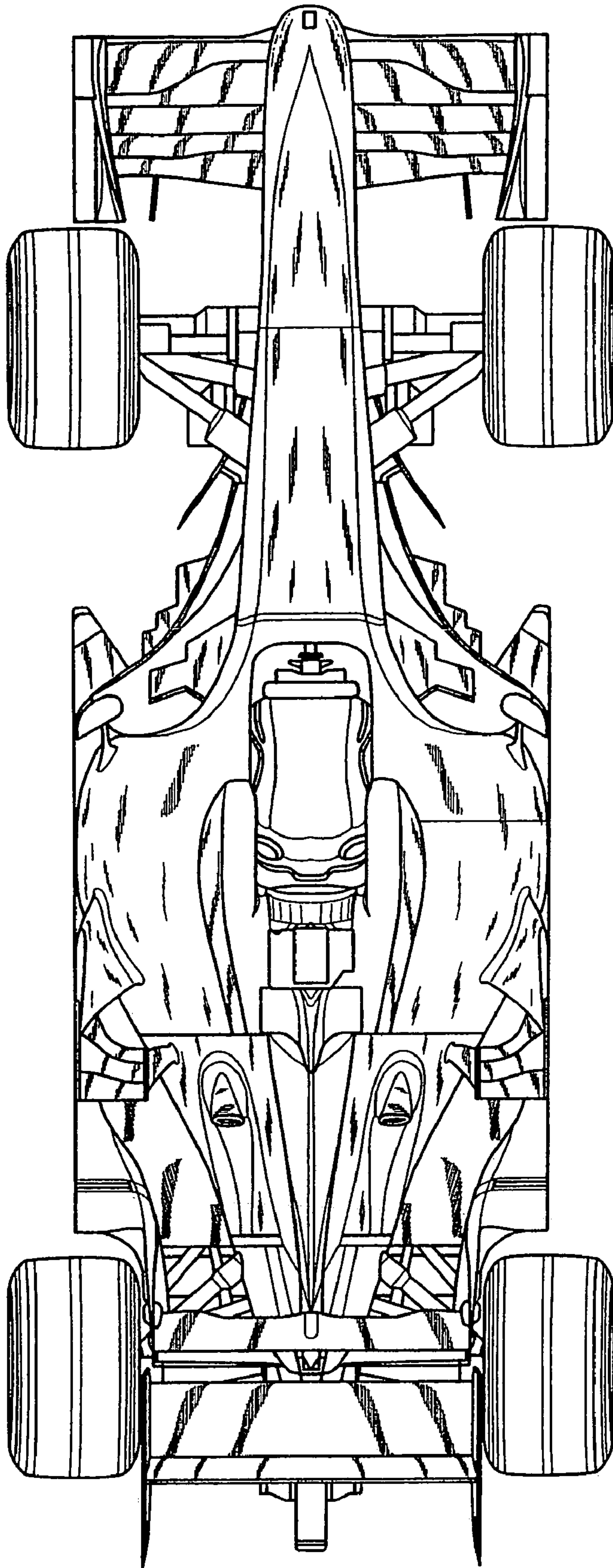


FIG. 8

