



US00D552508S

(12) **United States Design Patent**
Hanson, Jr. et al.

(10) **Patent No.:** **US D552,508 S**
(45) **Date of Patent:** **** Oct. 9, 2007**

(54) **GOLF CAR FRONT END**

(75) Inventors: **Donald S. Hanson, Jr.**, Augusta, GA
(US); **Richard Krall**, Augusta, GA
(US)

(73) Assignee: **Textron Inc.**, Providence, RI (US)

(**) Term: **14 Years**

(21) Appl. No.: **29/247,157**

(22) Filed: **Jun. 2, 2006**

(51) **LOC (8) Cl.** **12-02**

(52) **U.S. Cl.** **D12/16; D12/173**

(58) **Field of Classification Search** D12/196,
D12/16, 173, 14, 15, 164, 93; D15/22-28,
D15/31; D21/433, 548, 581; 180/69.1, 69.2,
180/69.22, 69.23; 296/180, 190

See application file for complete search history.

(56) **References Cited**

U.S. PATENT DOCUMENTS

- D345,717 S 4/1994 Molzon et al.
- D345,718 S 4/1994 Molzon et al.
- D369,762 S 5/1996 Molzon et al.
- D373,099 S 8/1996 Molzon et al.
- 5,836,412 A * 11/1998 Lyles et al. 180/65.1
- D449,806 S * 10/2001 VanderMolen D12/164

- D472,857 S * 4/2003 Weber et al. D12/173
- D498,436 S 11/2004 Bonner et al.
- D498,704 S 11/2004 Bonner et al.
- D514,981 S * 2/2006 Andrews et al. D12/16

FOREIGN PATENT DOCUMENTS

WO 2004/067360 8/2004

* cited by examiner

Primary Examiner—Louis S. Zarfes

Assistant Examiner—Anna K. Dworzecka

(74) *Attorney, Agent, or Firm*—Harness, Dickey & Pierce
P.L.C.

(57) **CLAIM**

The ornamental design for a golf car front end, as shown and described.

DESCRIPTION

FIG. 1 is a front perspective view of a golf car front end;

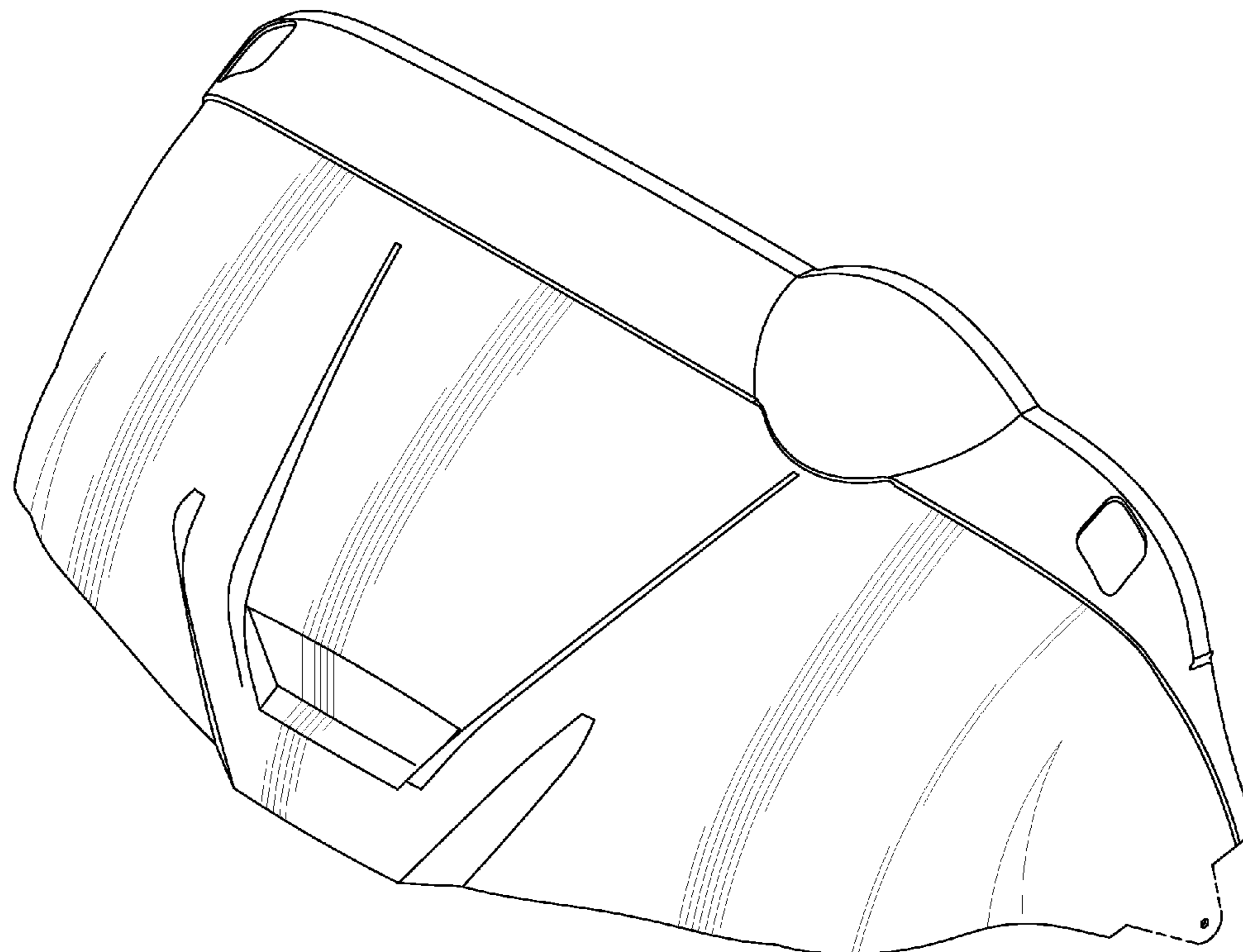
FIG. 2 is a front plan view thereof;

FIG. 3 is a top view thereof; and,

FIG. 4 is a right side view thereof (the left side view being a mirror image of the right side).

The lines shown in phantom are for illustrative purposes only and do not form part of the invention.

1 Claim, 2 Drawing Sheets



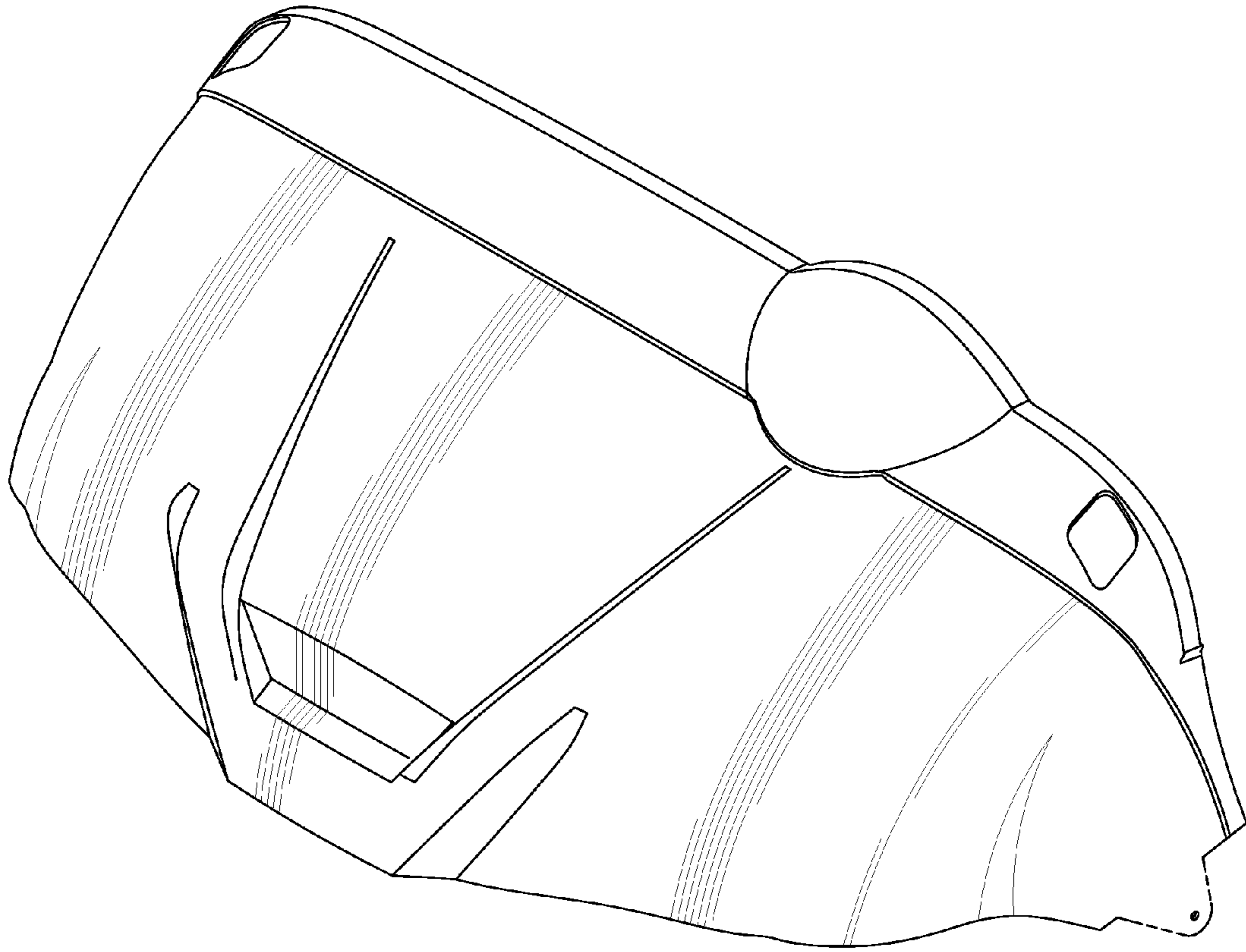


Fig-1

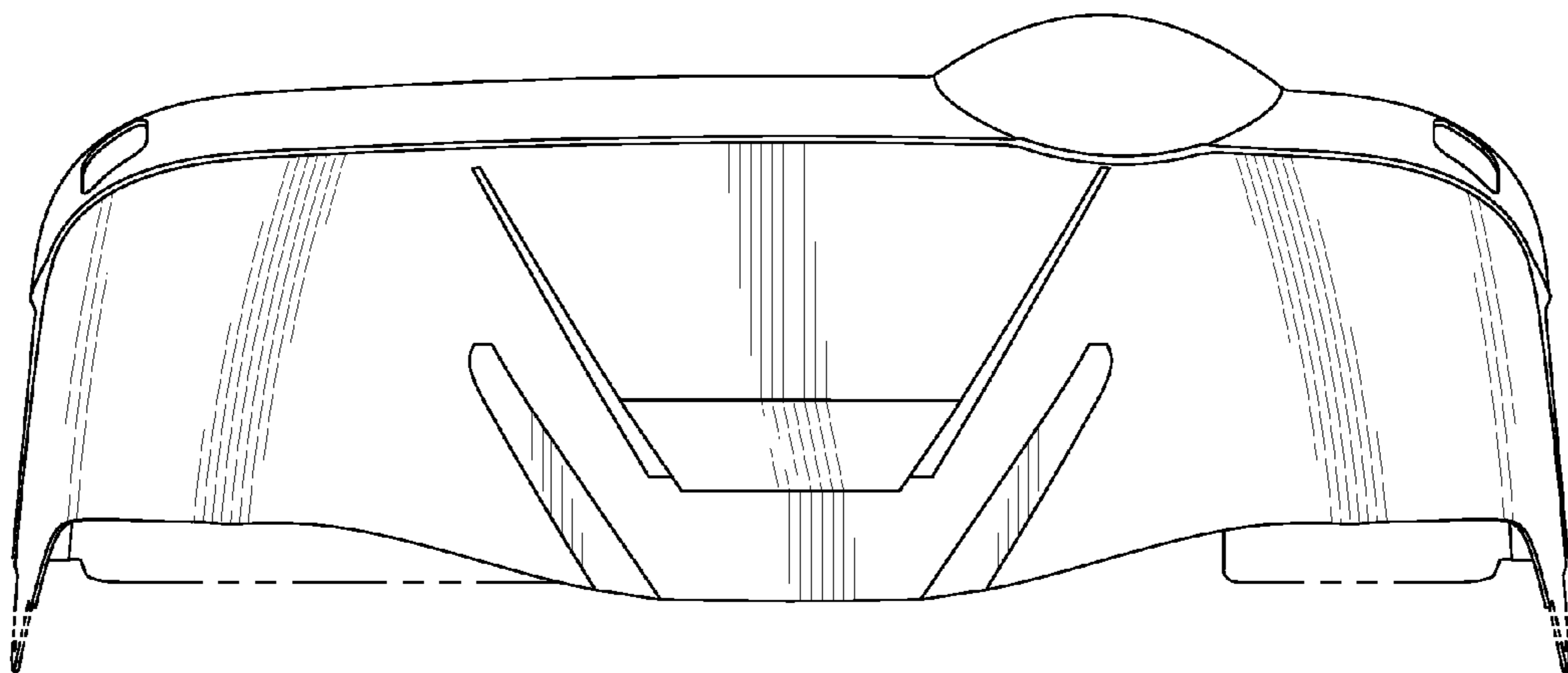


Fig-2

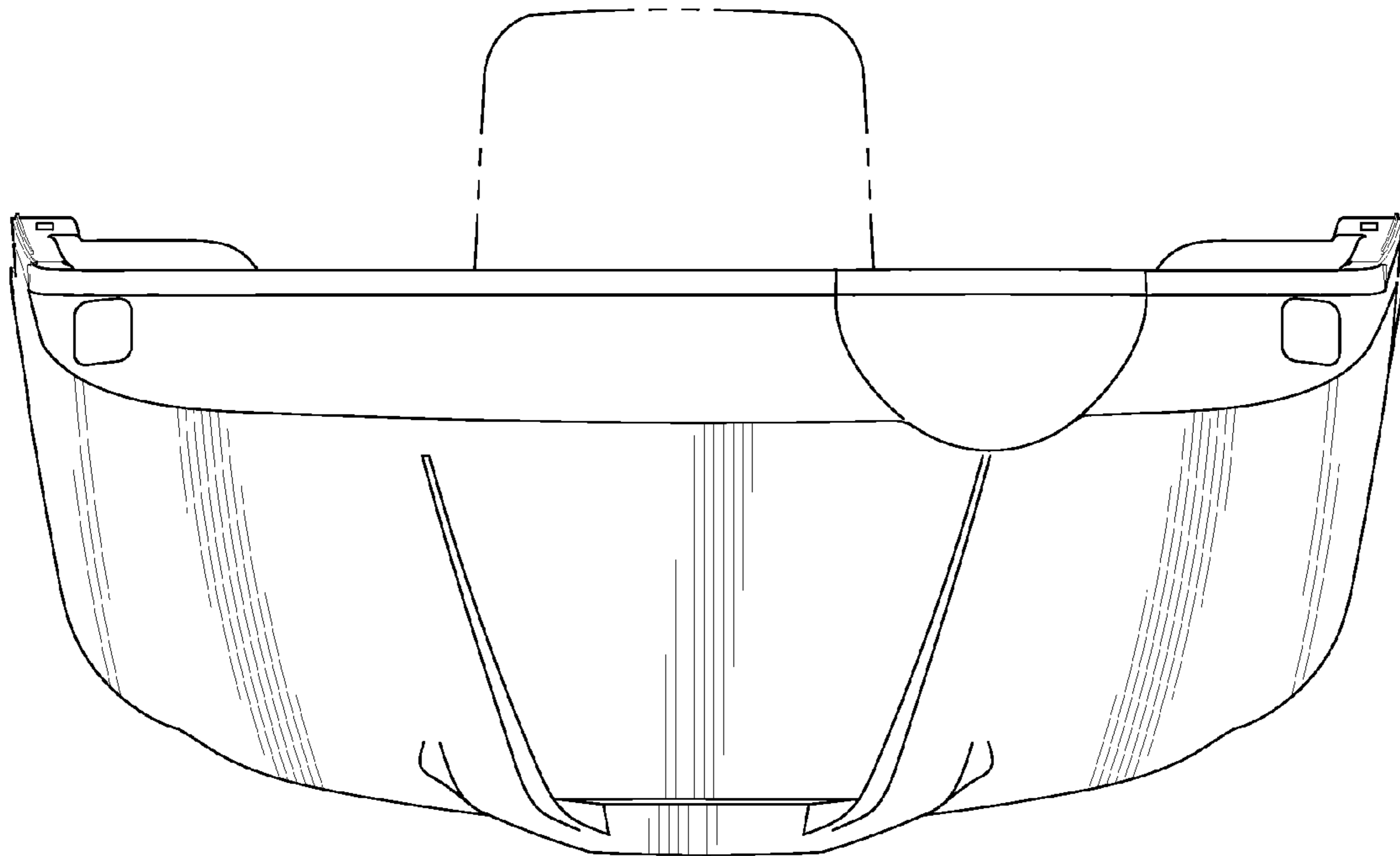


Fig-3

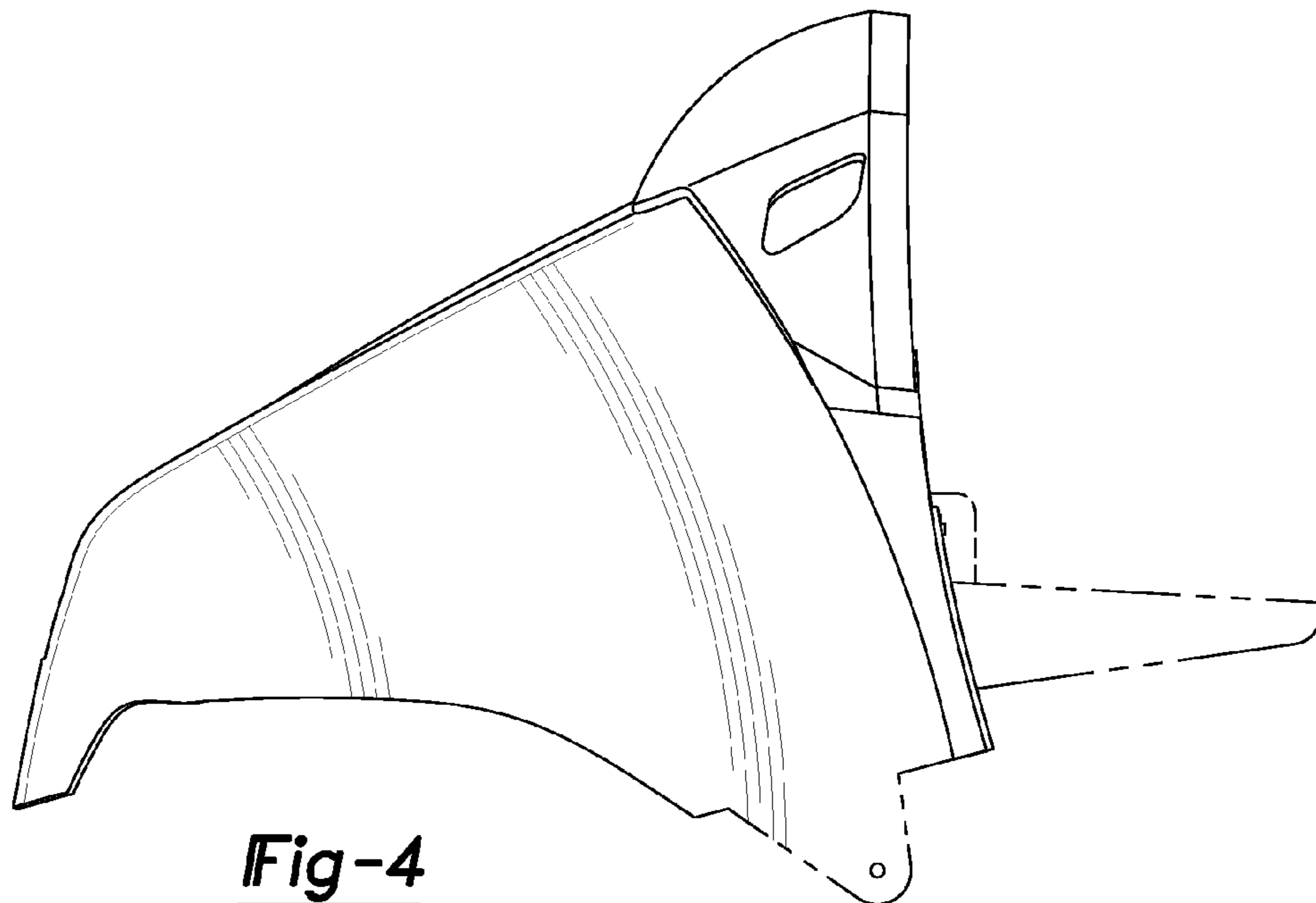


Fig-4