



US00D552506S

(12) **United States Design Patent**  
**Deluy**

(10) **Patent No.:** **US D552,506 S**

(45) **Date of Patent:** **\*\* Oct. 9, 2007**

(54) **ELEMENTS OF A FAIRING FOR A SNOWMOBILE**

(74) *Attorney, Agent, or Firm*—Osler, Hoskin & Harcourt LLP

(75) Inventor: **Nicolas Deluy**, Canton de Magog (CA)

(57) **CLAIM**

(73) Assignee: **BRP Finland Oy**, Rovaniemi (FI)

The ornamental design for elements of a fairing for a snowmobile, as shown and described.

(\*\*) Term: **14 Years**

(21) Appl. No.: **29/222,780**

**DESCRIPTION**

(22) Filed: **Feb. 2, 2005**

FIG. 1 is a perspective illustration, from the front and left side, of elements of a front fairing for a first embodiment of a snowmobile according to my design;

(51) **LOC (8) Cl.** ..... **12-14**

FIG. 2 is a rear elevation view thereof;

(52) **U.S. Cl.** ..... **D12/7**

FIG. 3 is a front elevation view thereof;

(58) **Field of Classification Search** ..... D12/7,

FIG. 4 is a top plan view thereof;

D12/307, 400, 110, 111, 9, 112, 167, 171,

FIG. 5 is a right side elevation view thereof;

D12/169, 196, 190, 90-92, 86, 85, 88; 280/645;

FIG. 6 is a left side elevation view thereof;

D21/533; 180/182-86, 190

See application file for complete search history.

FIG. 7 is a perspective illustration, from the front and left side, of elements of a front fairing for a second embodiment of a snowmobile according to my design;

(56) **References Cited**

FIG. 8 is a rear elevation view thereof;

**U.S. PATENT DOCUMENTS**

6,491,125 B2 \* 12/2002 Girouard et al. .... 180/190

FIG. 9 is a front elevation view thereof;

D477,248 S \* 7/2003 Cadotte et al. .... D12/7

FIG. 10 is a top plan view thereof;

D479,813 S \* 9/2003 Cadotte et al. .... D12/7

D485,788 S \* 1/2004 Guay et al. .... D12/107

FIG. 11 is a right side elevation view thereof; and,

D494,504 S \* 8/2004 Sanschagrín et al. .... D12/7

FIG. 12 is a left side elevation view thereof.

2002/0189876 A1 \* 12/2002 Girouard et al. .... 180/182

2005/0039967 A1 \* 2/2005 Aube et al. .... 180/312

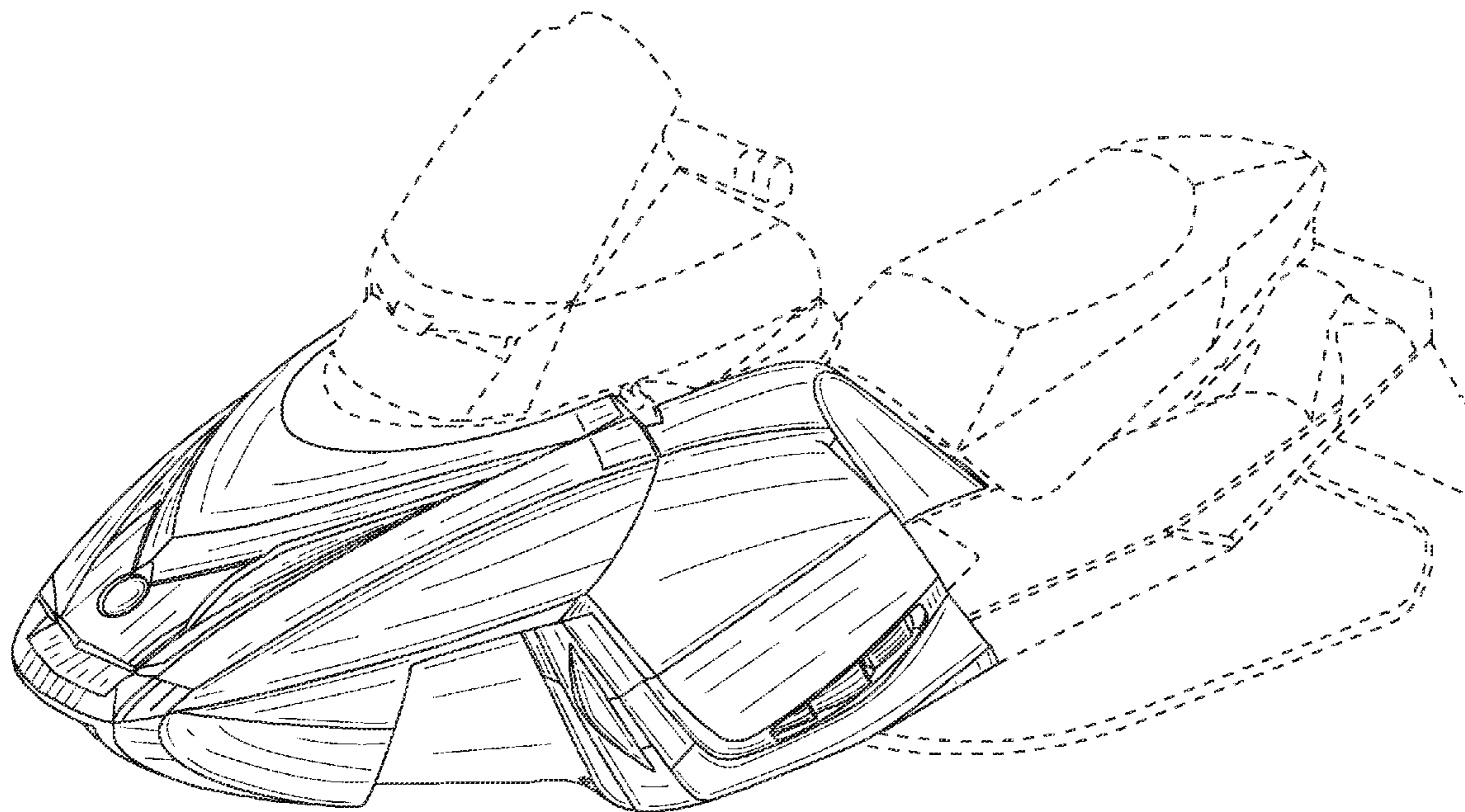
In FIGS. 1-12, broken lines showing structure are for illustrative purposes only and form no part of the claimed design.

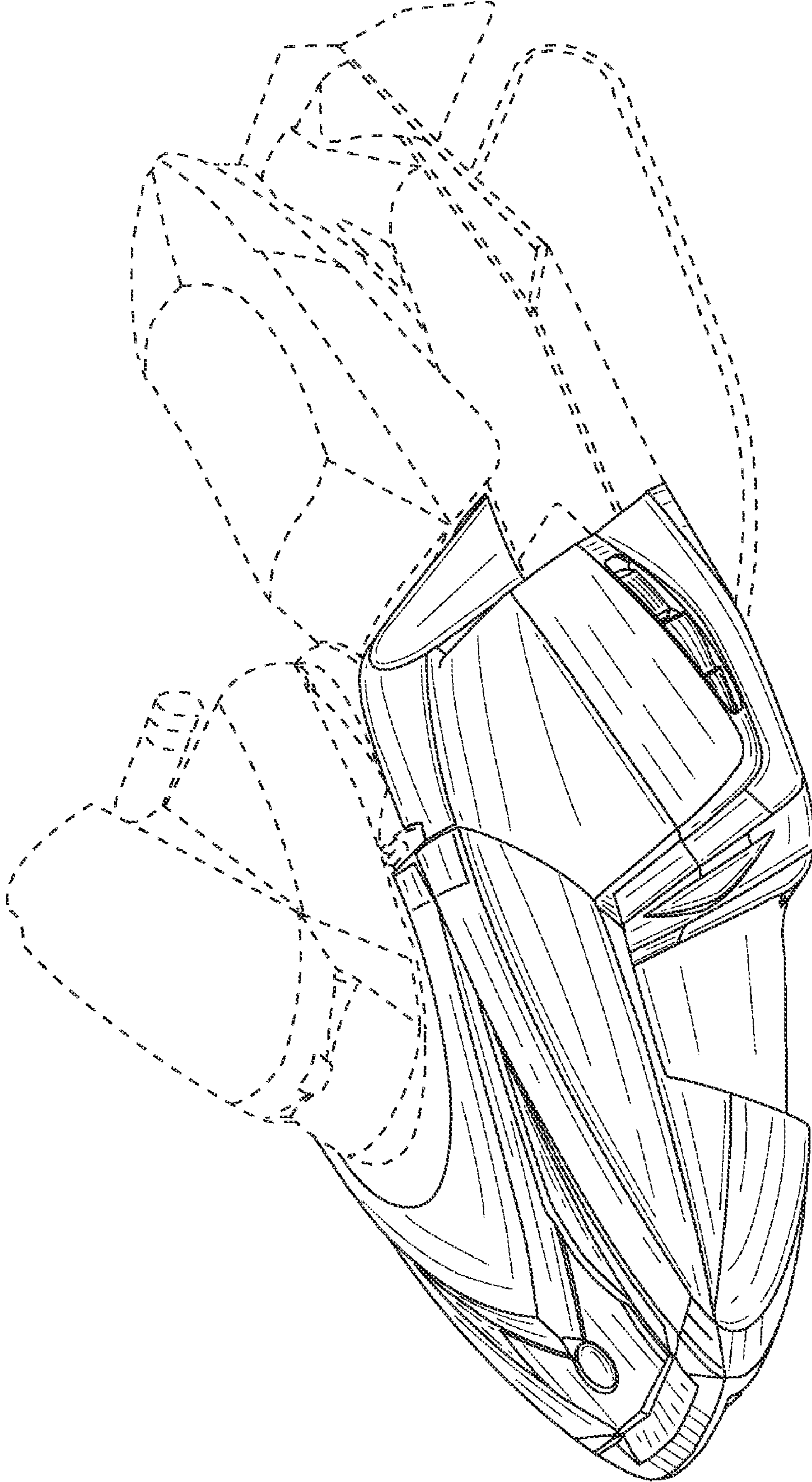
\* cited by examiner

*Primary Examiner*—Louis S. Zarfás

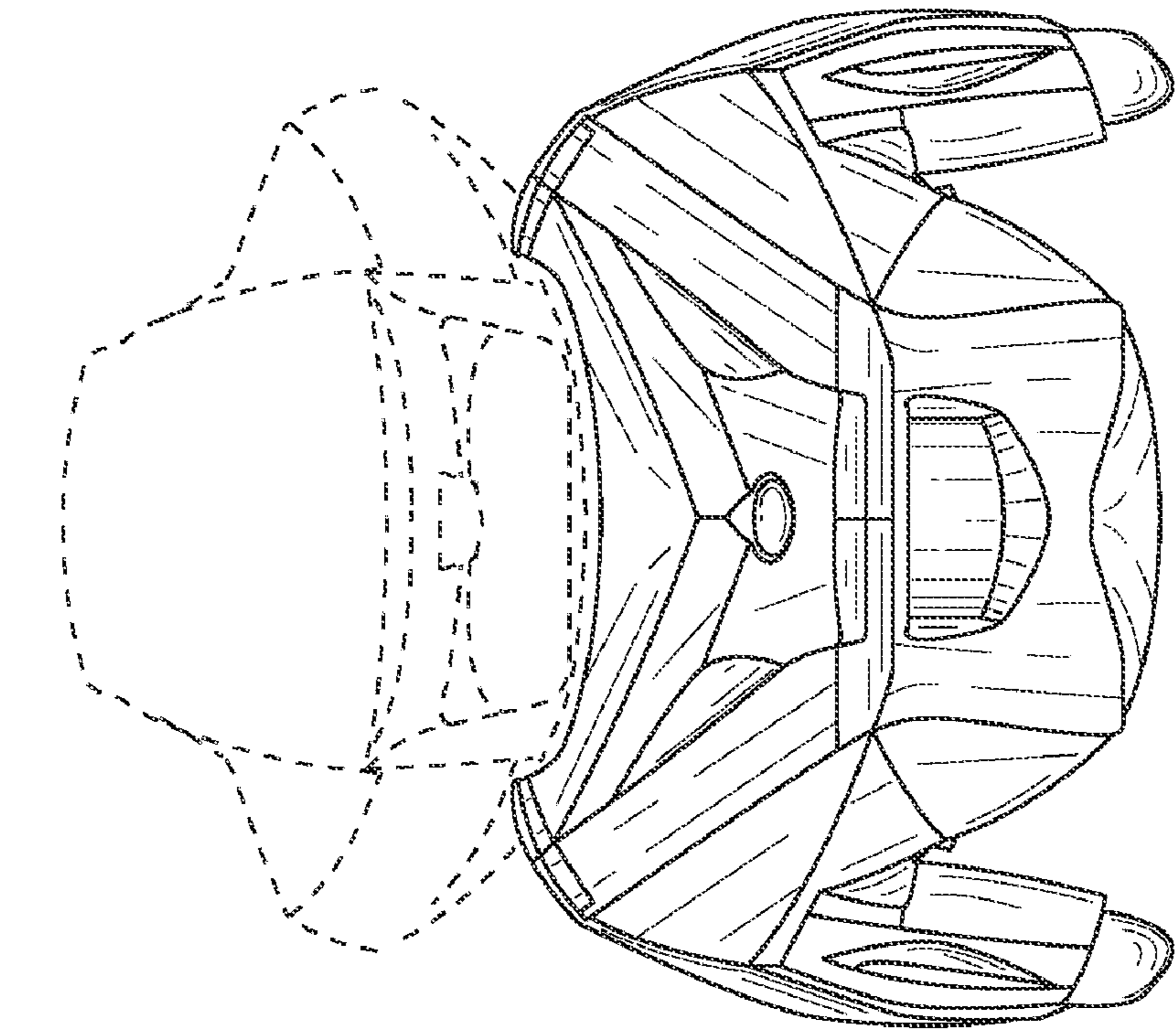
**1 Claim, 10 Drawing Sheets**

*Assistant Examiner*—Anna K Dworzecka

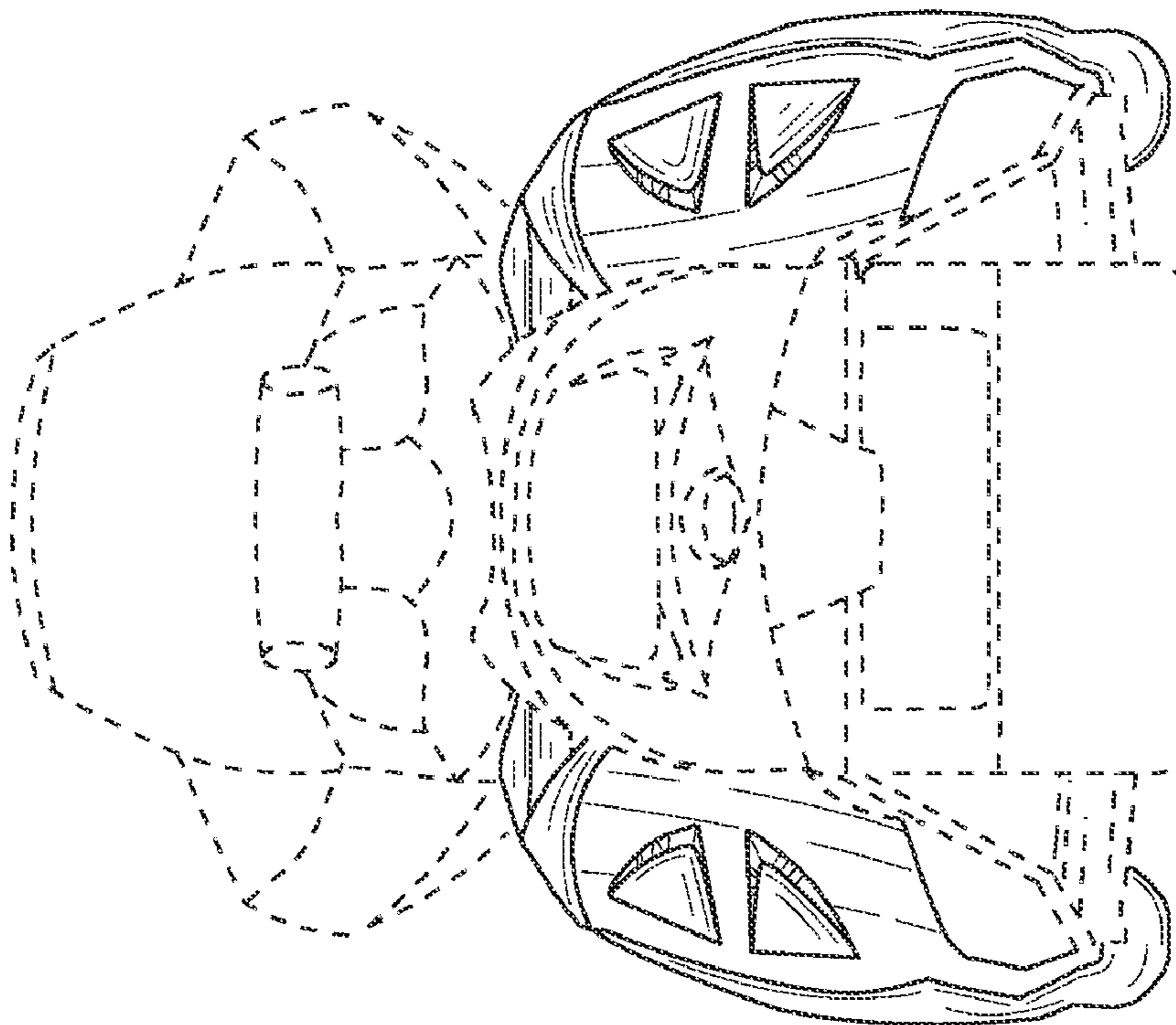




**FIG. 1**



**FIG. 3**



**FIG. 2**

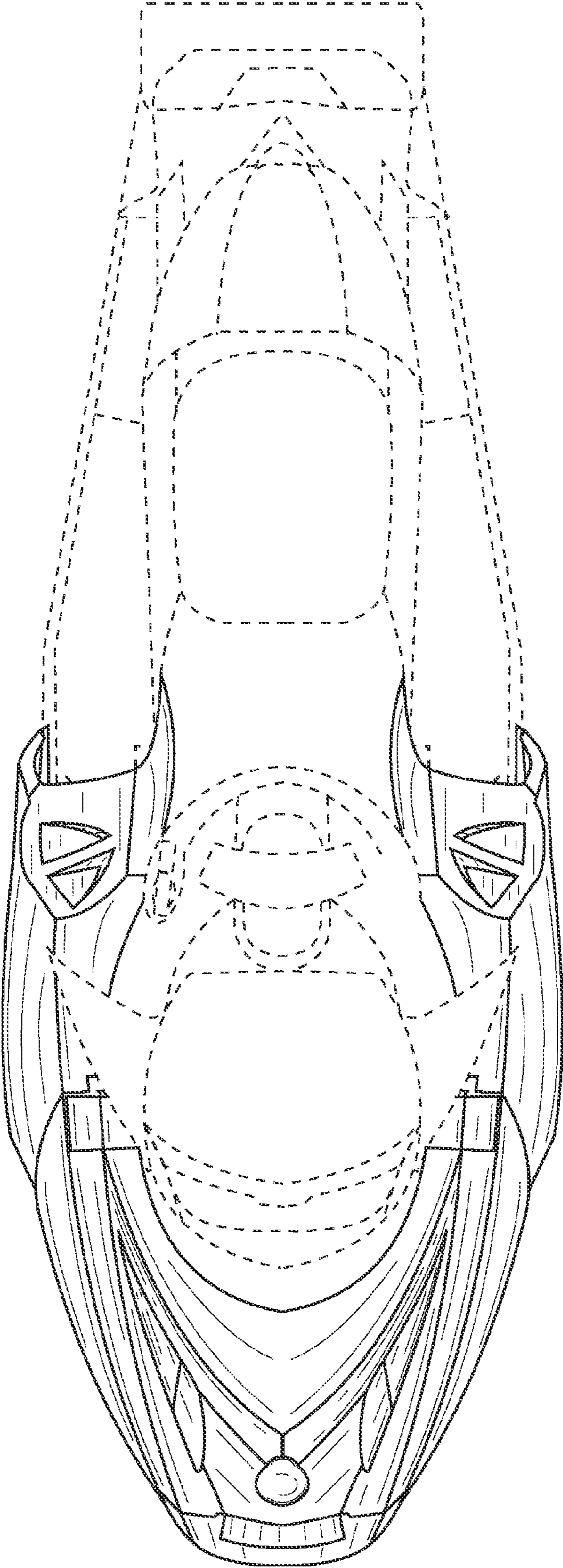
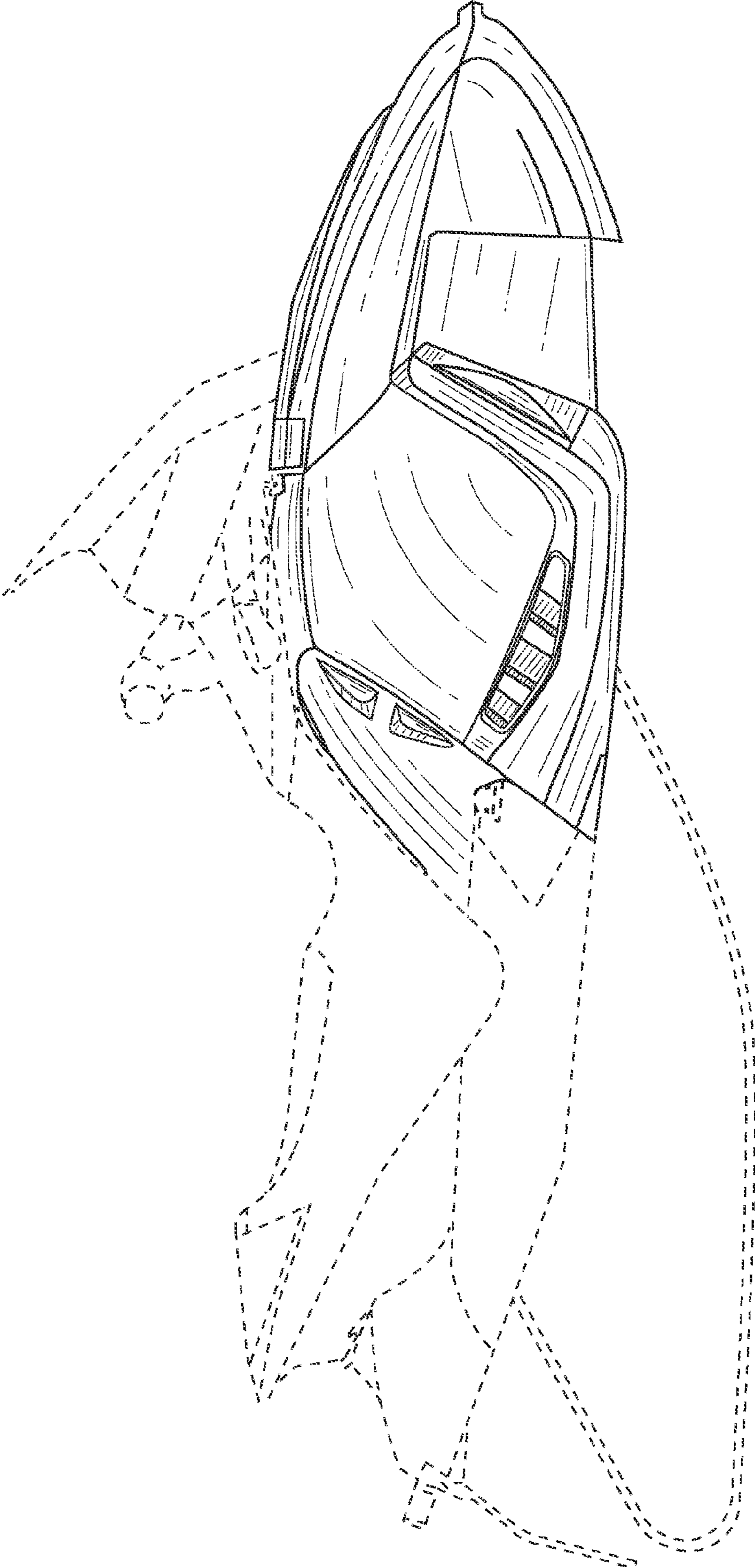
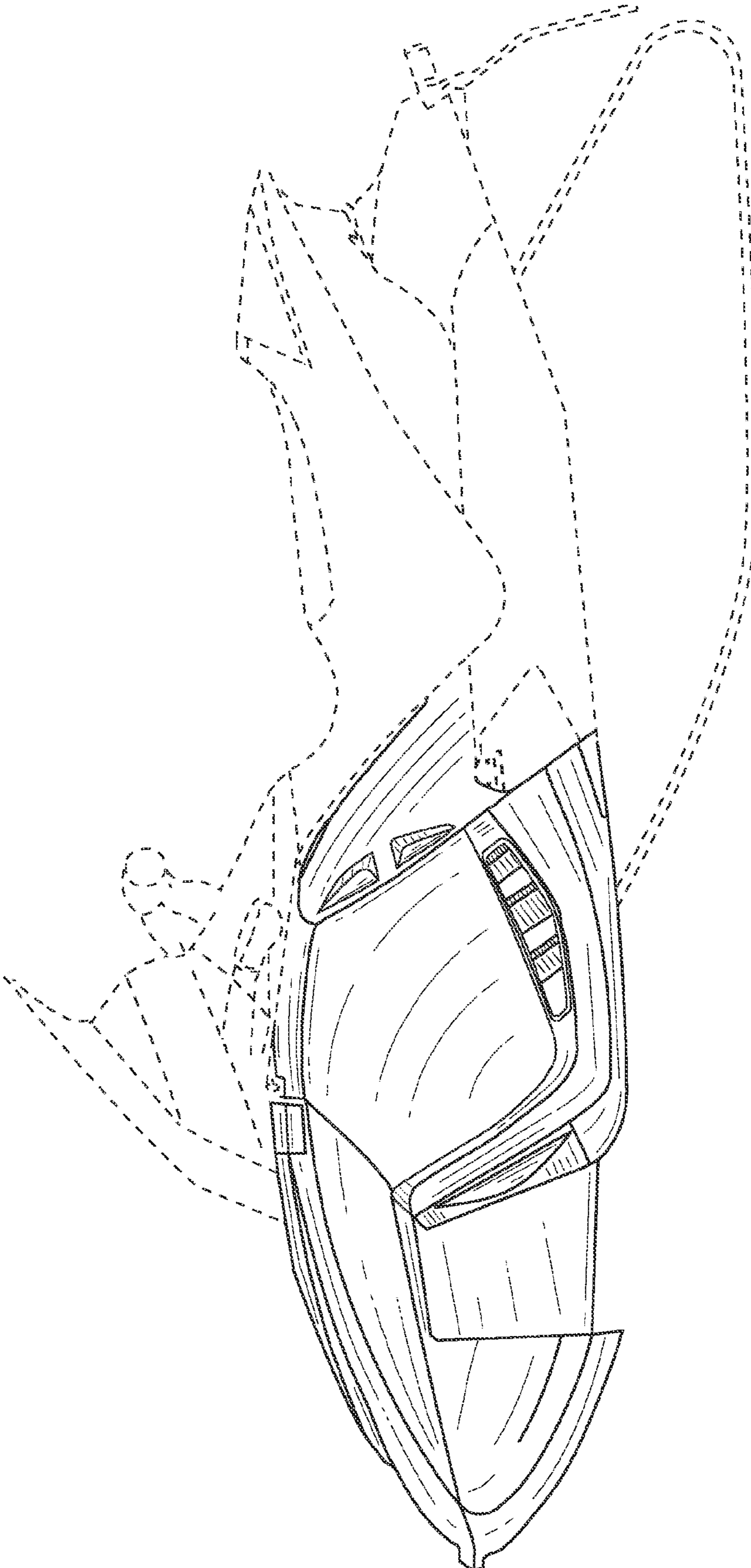


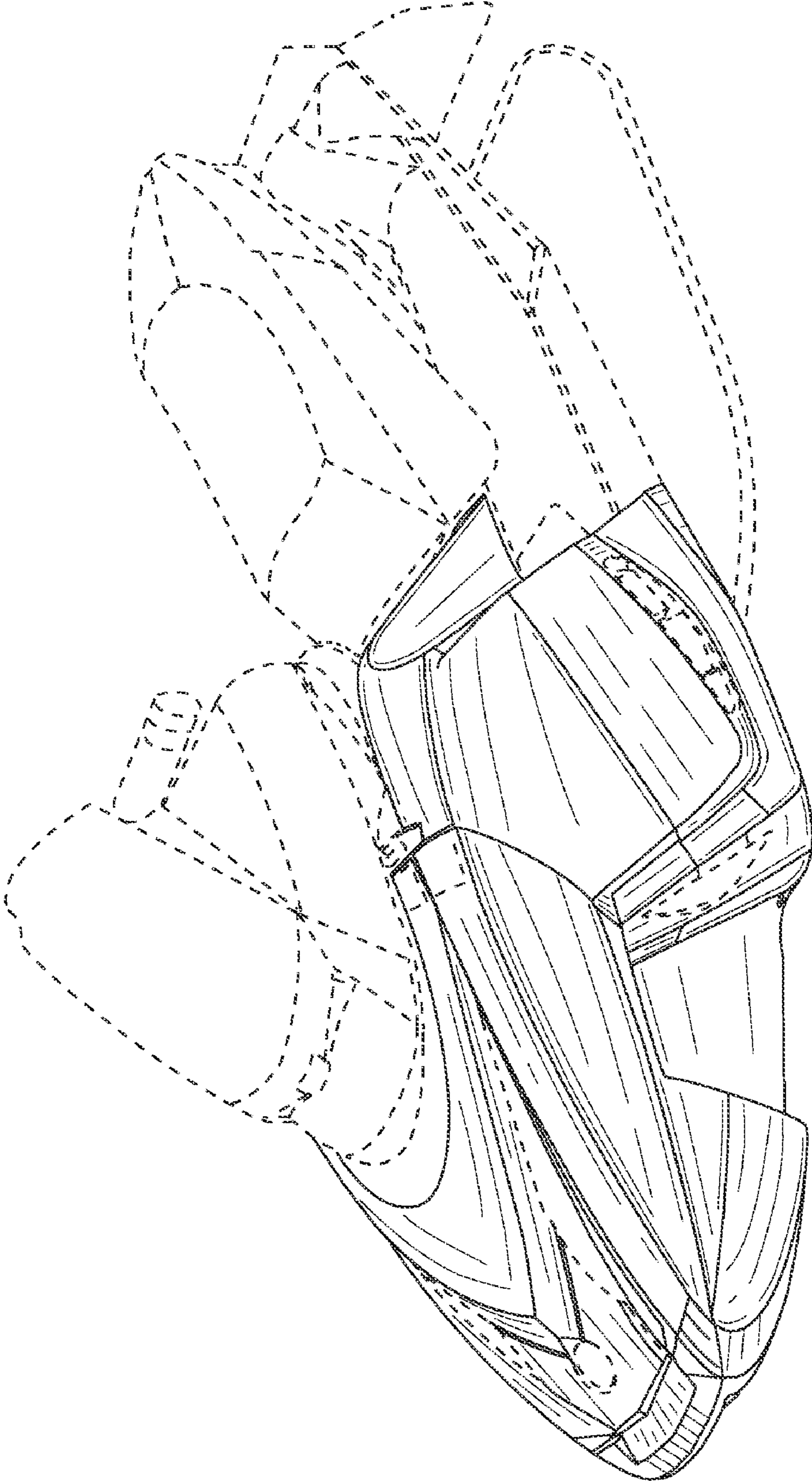
FIG. 4



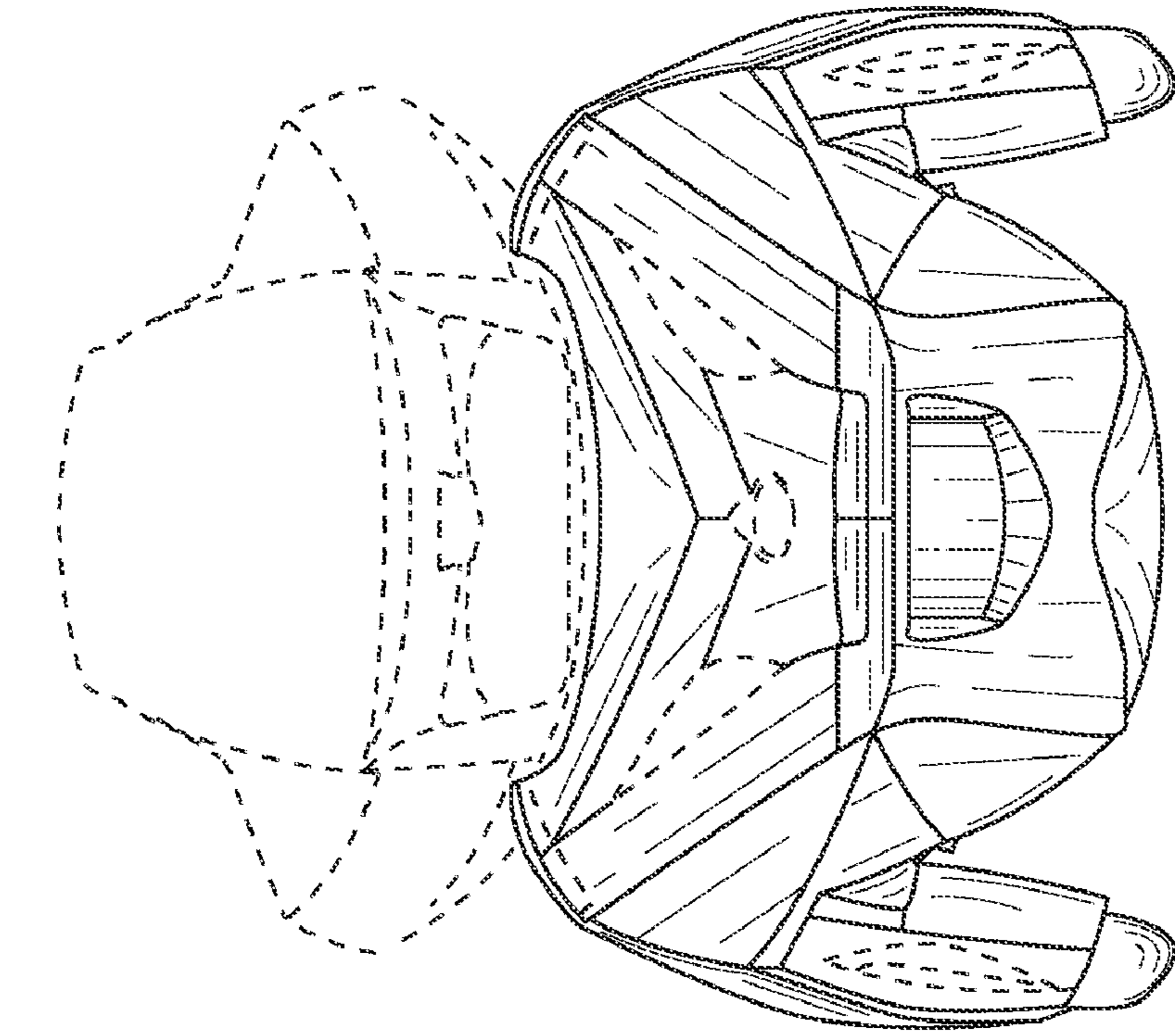
**FIG. 5**



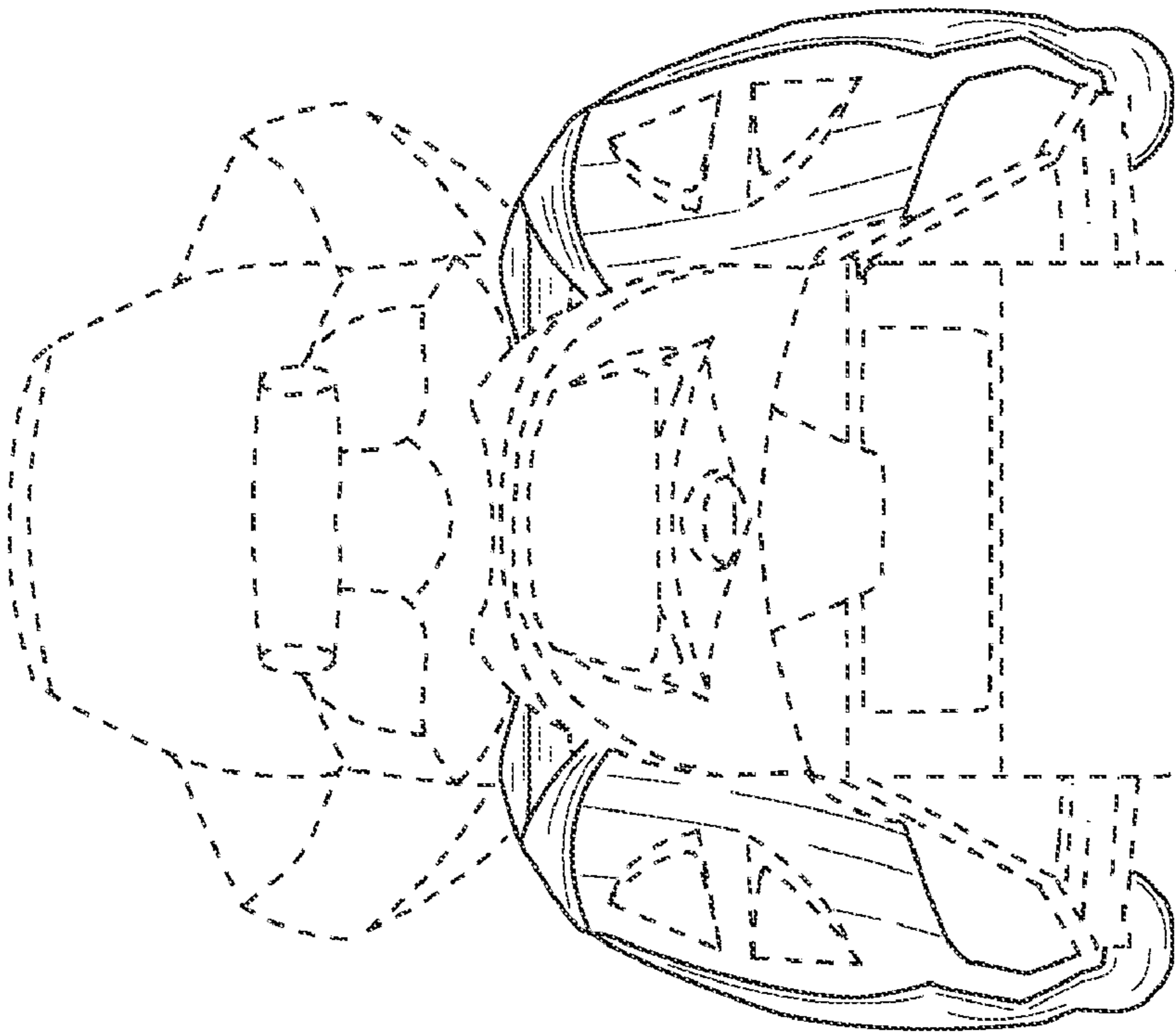
**FIG. 6**



**FIG. 7**

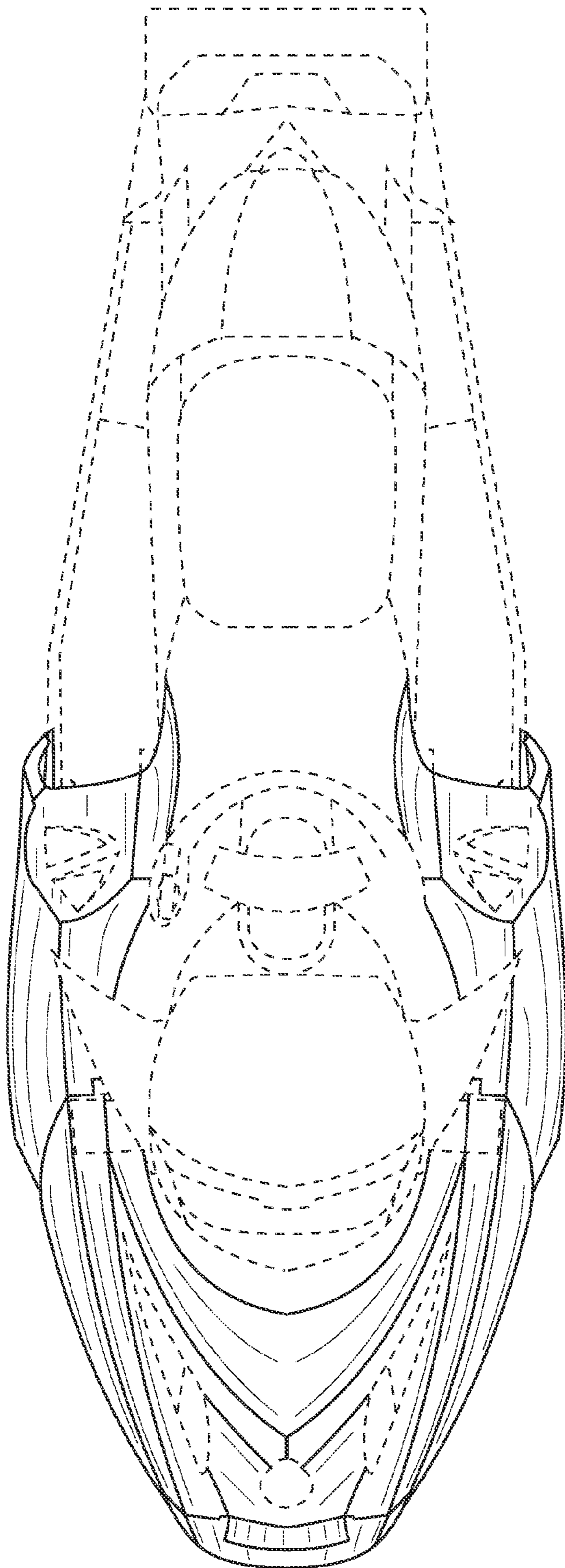


**FIG. 9**

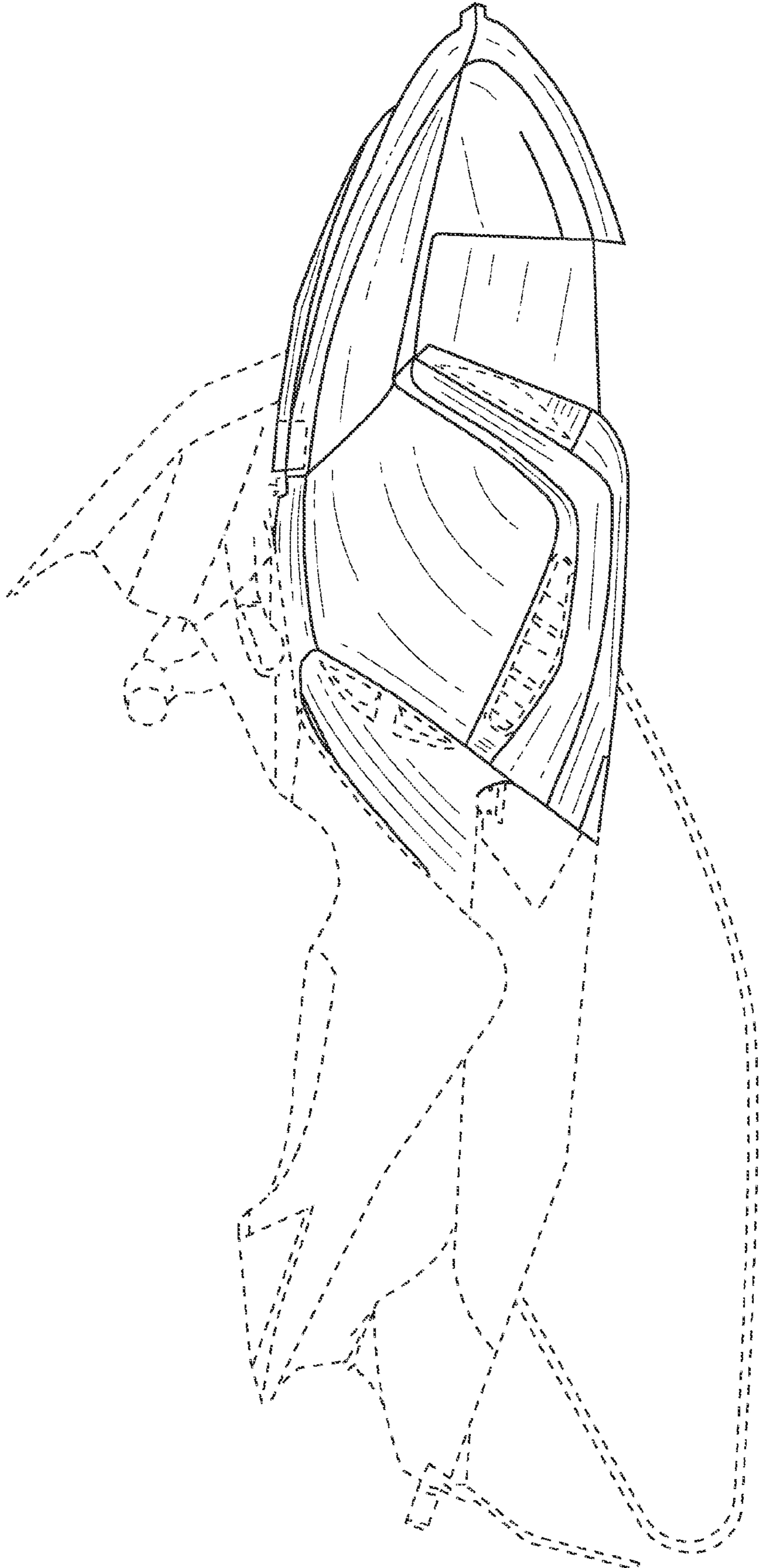


**FIG. 8**

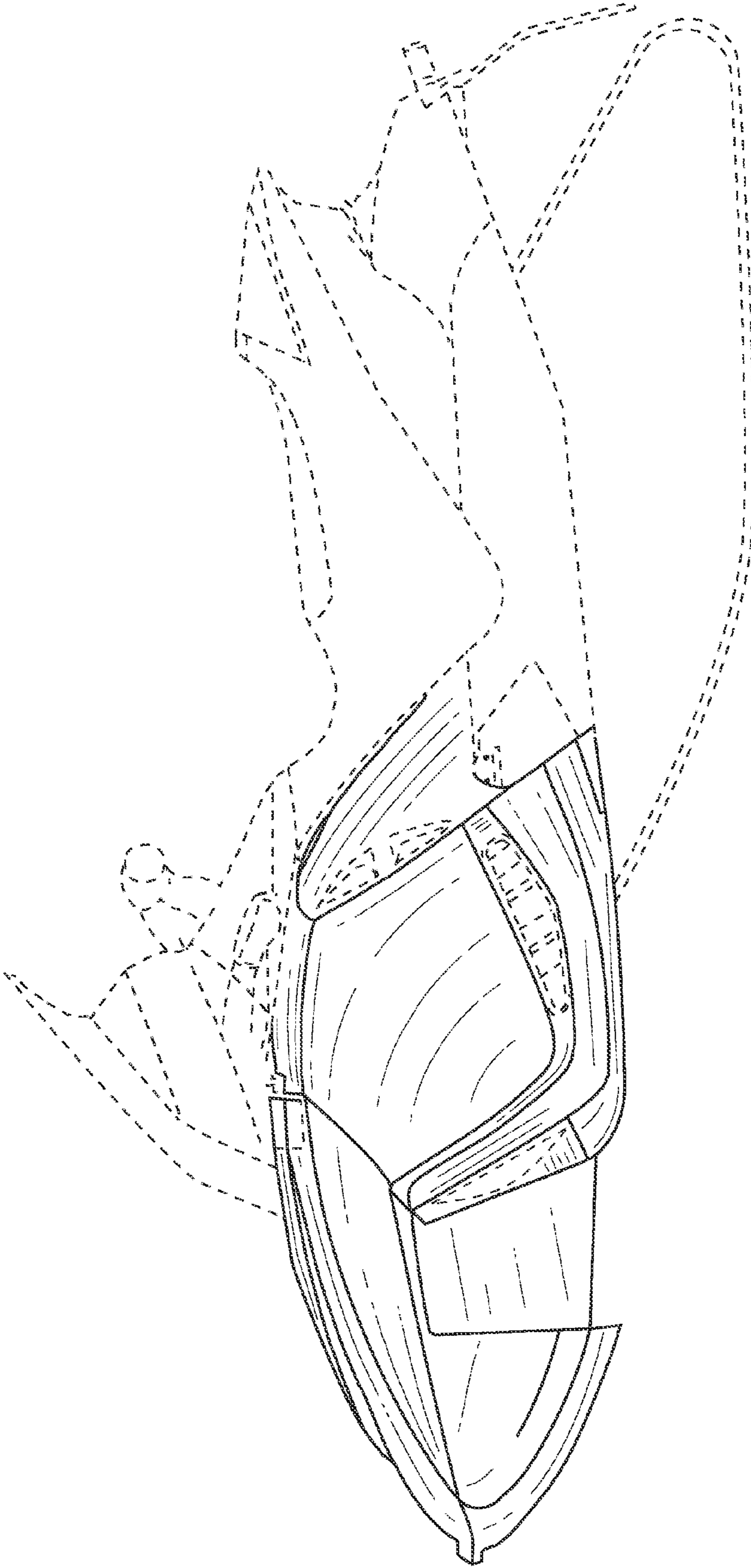




**FIG. 10**



**FIG. 11**



**FIG. 12**