



US00D552500S

(12) **United States Design Patent**  
**Forslund**

(10) **Patent No.:** **US D552,500 S**

(45) **Date of Patent:** **\*\* Oct. 9, 2007**

(54) **APPARATUS FOR VOLUMETRIC  
ENUMERATION OF BLOOD CELLS**

(75) Inventor: **Carl Forslund**, Höllviken (SE)

(73) Assignee: **Hemocue AB**, Angelholm (SE)

(\*\*) Term: **14 Years**

(21) Appl. No.: **29/263,265**

(22) Filed: **Jul. 20, 2006**

(51) **LOC (8) Cl.** ..... **10-04**

(52) **U.S. Cl.** ..... **D10/97; D10/81; D24/186;  
D24/232**

(58) **Field of Classification Search** ..... D10/46,  
D10/81, 97; D24/216, 224, 232, 233, 234,  
D24/186; 435/5, 6, 7.24, 288.3, 287.2  
See application file for complete search history.

(56) **References Cited**

**U.S. PATENT DOCUMENTS**

4,375,615 A \* 3/1983 Haynes ..... 324/71.4  
D272,087 S \* 1/1984 Smith ..... D10/81

D457,646 S \* 5/2002 Hool et al. .... D24/232  
\* cited by examiner

*Primary Examiner*—Antoine D. Davis

(74) *Attorney, Agent, or Firm*—Buchanan Ingersoll &  
Rooney PC

(57) **CLAIM**

The ornamental design for an apparatus for volumetric  
enumeration of blood cells, as shown and described.

**DESCRIPTION**

FIG. 1 is a top, front, and side perspective view of an  
apparatus for volumetric enumeration of blood cells show-  
ing my new design.

FIG. 2 is a bottom, rear, and side perspective view thereof.

FIG. 3 is a front elevational view thereof

FIG. 4 is a right side elevational view thereof.

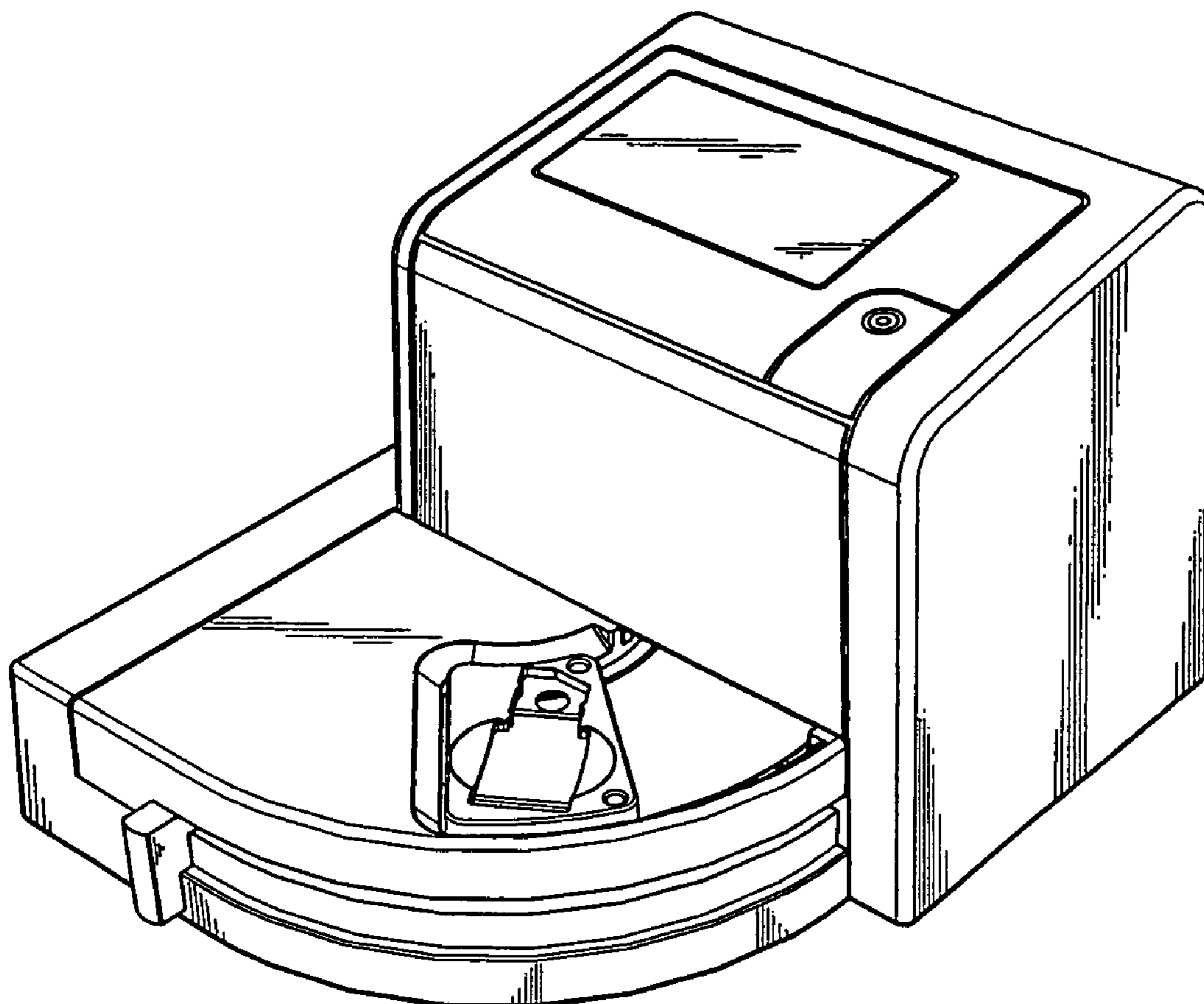
FIG. 5 is a rear elevational view thereof.

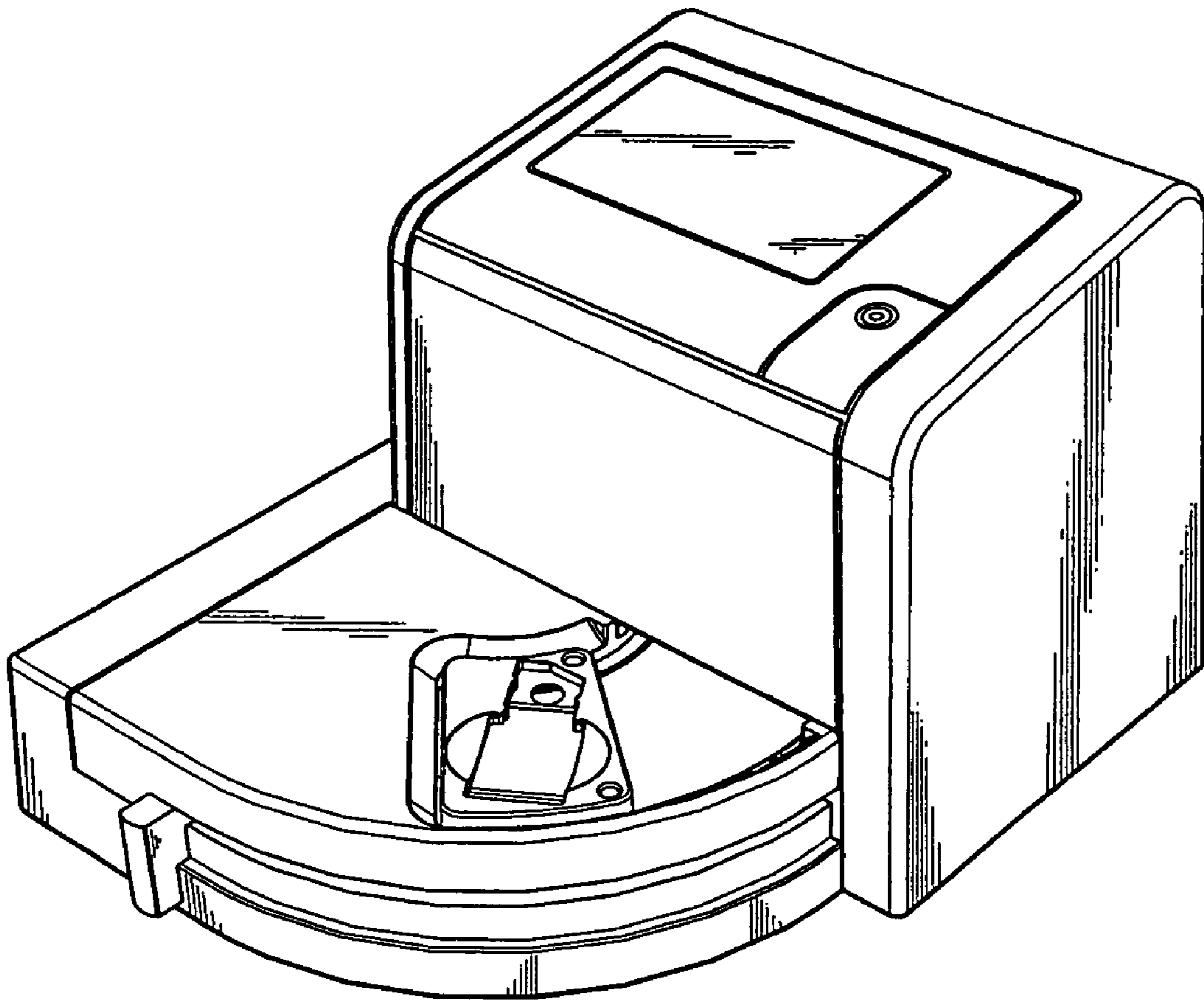
FIG. 6 is a left side elevational view thereof.

FIG. 7 is a top plan view thereof; and,

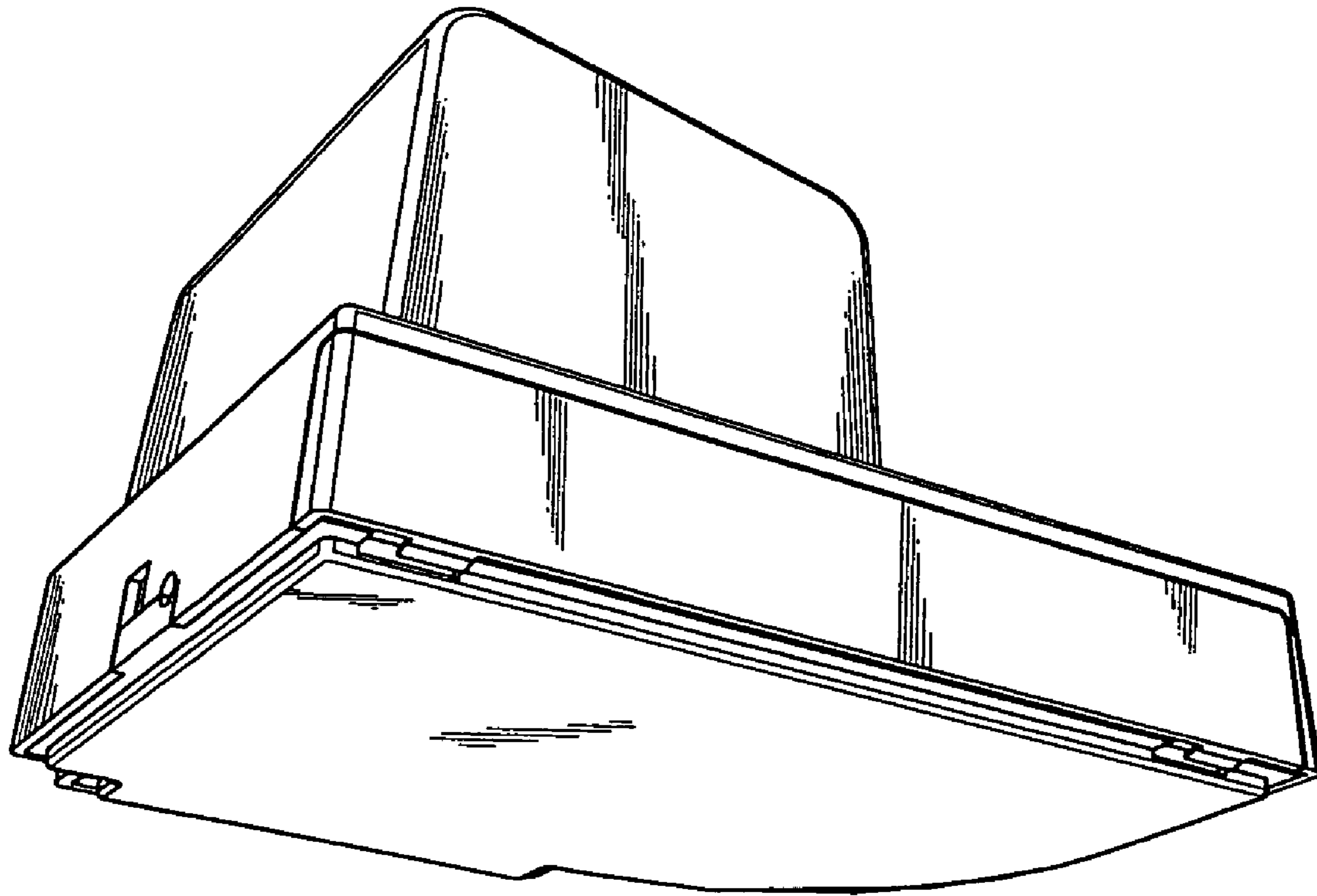
FIG. 8 is a bottom plan view thereof.

**1 Claim, 6 Drawing Sheets**

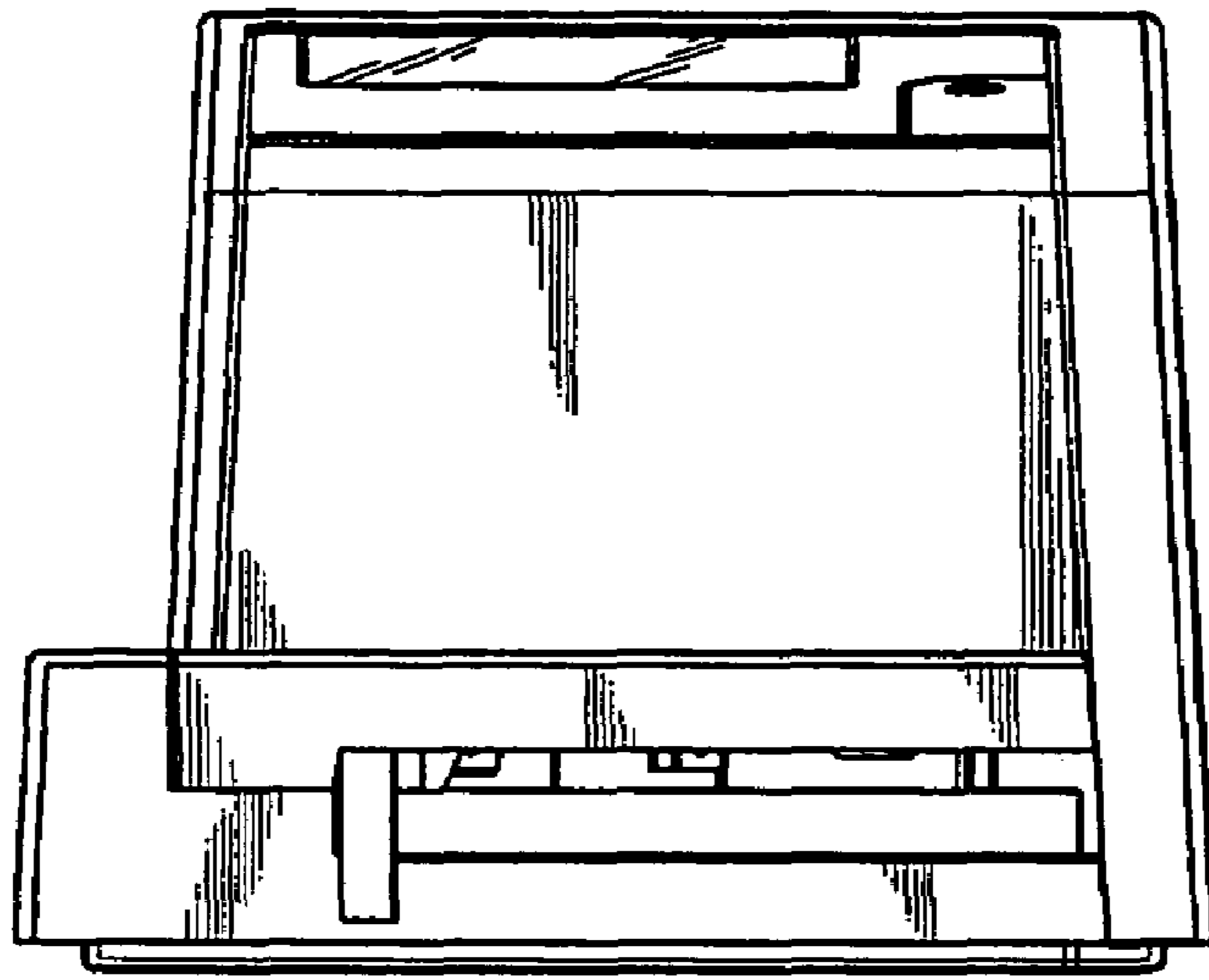




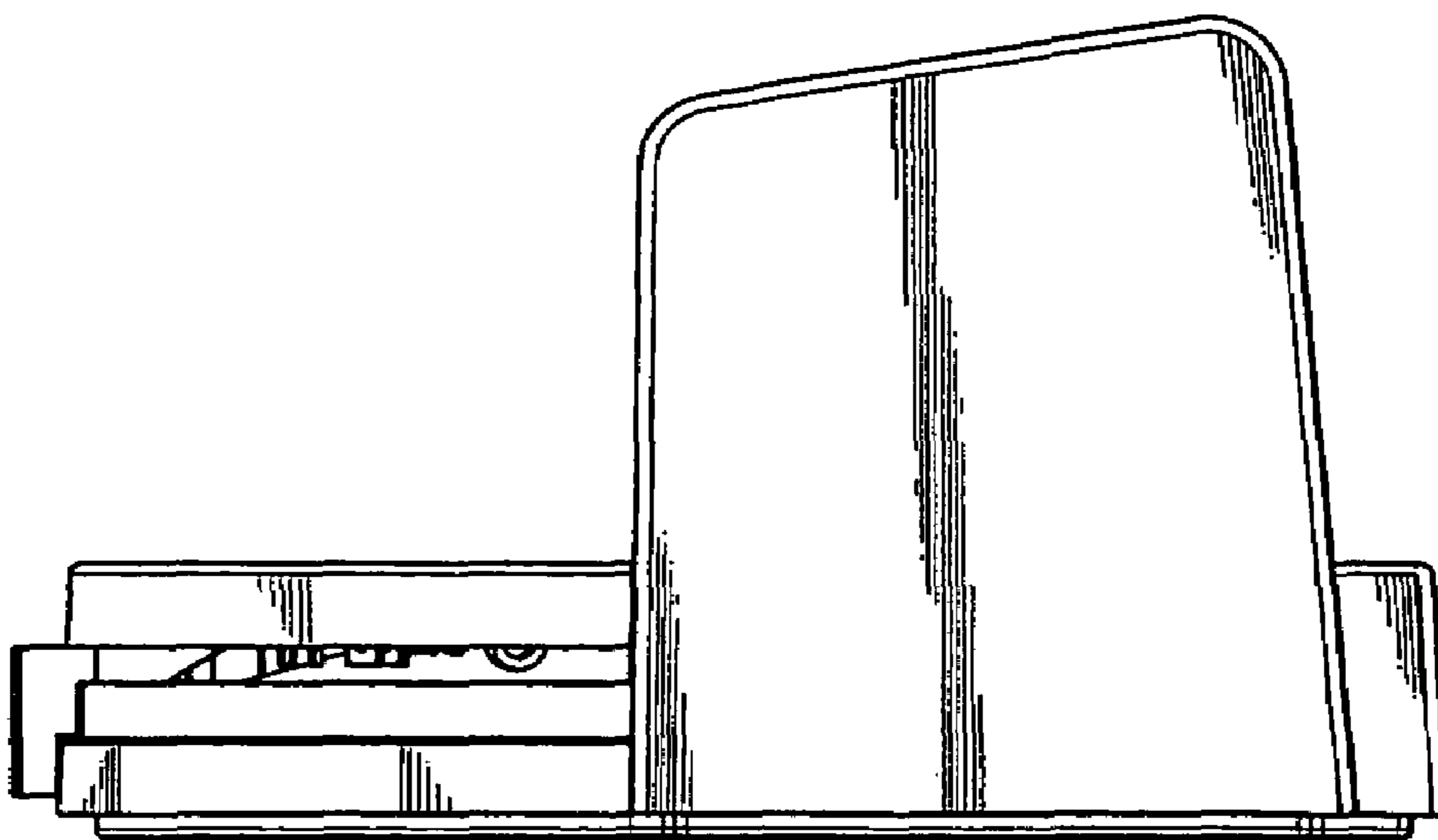
*Figure 1*



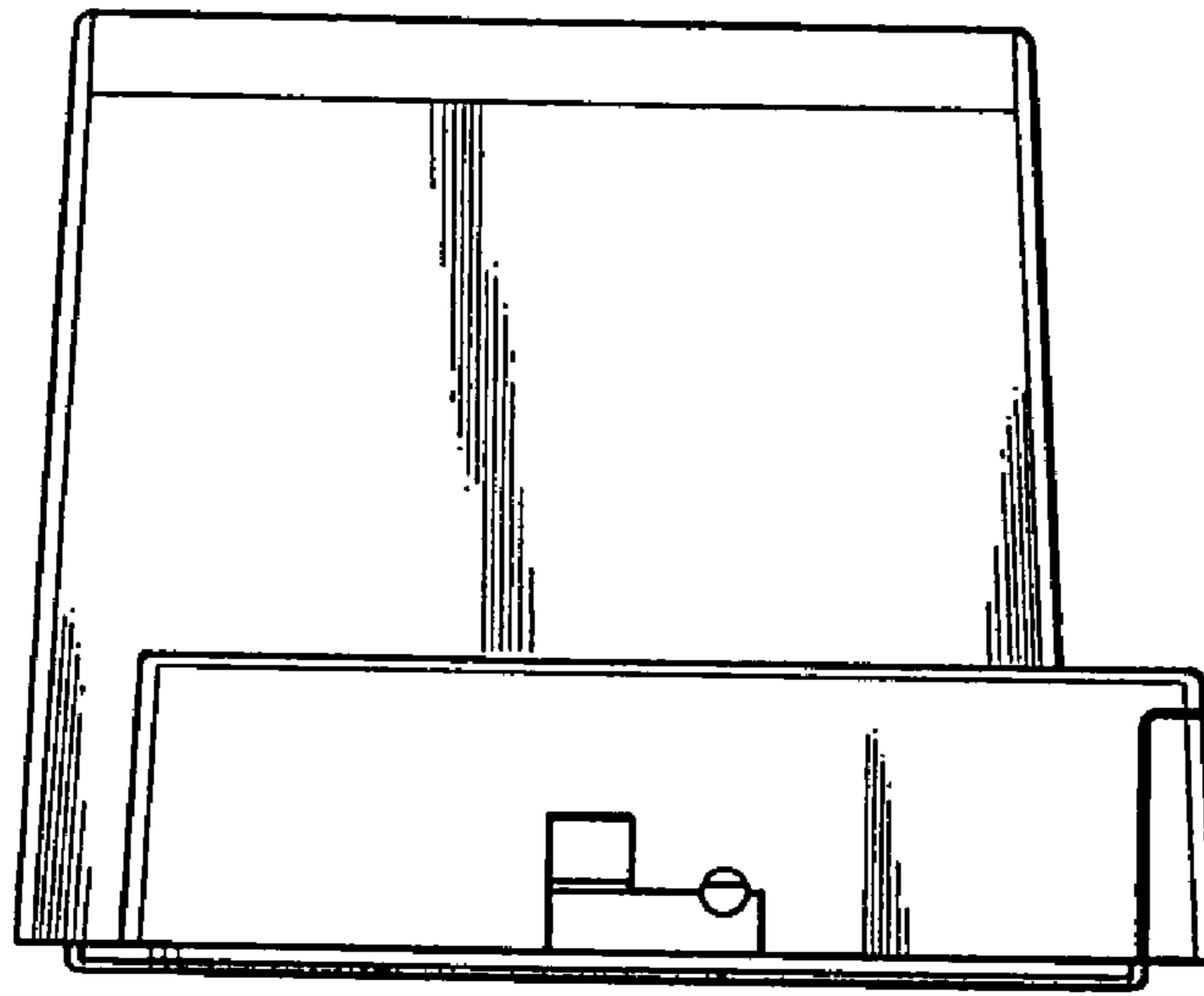
*Figure 2*



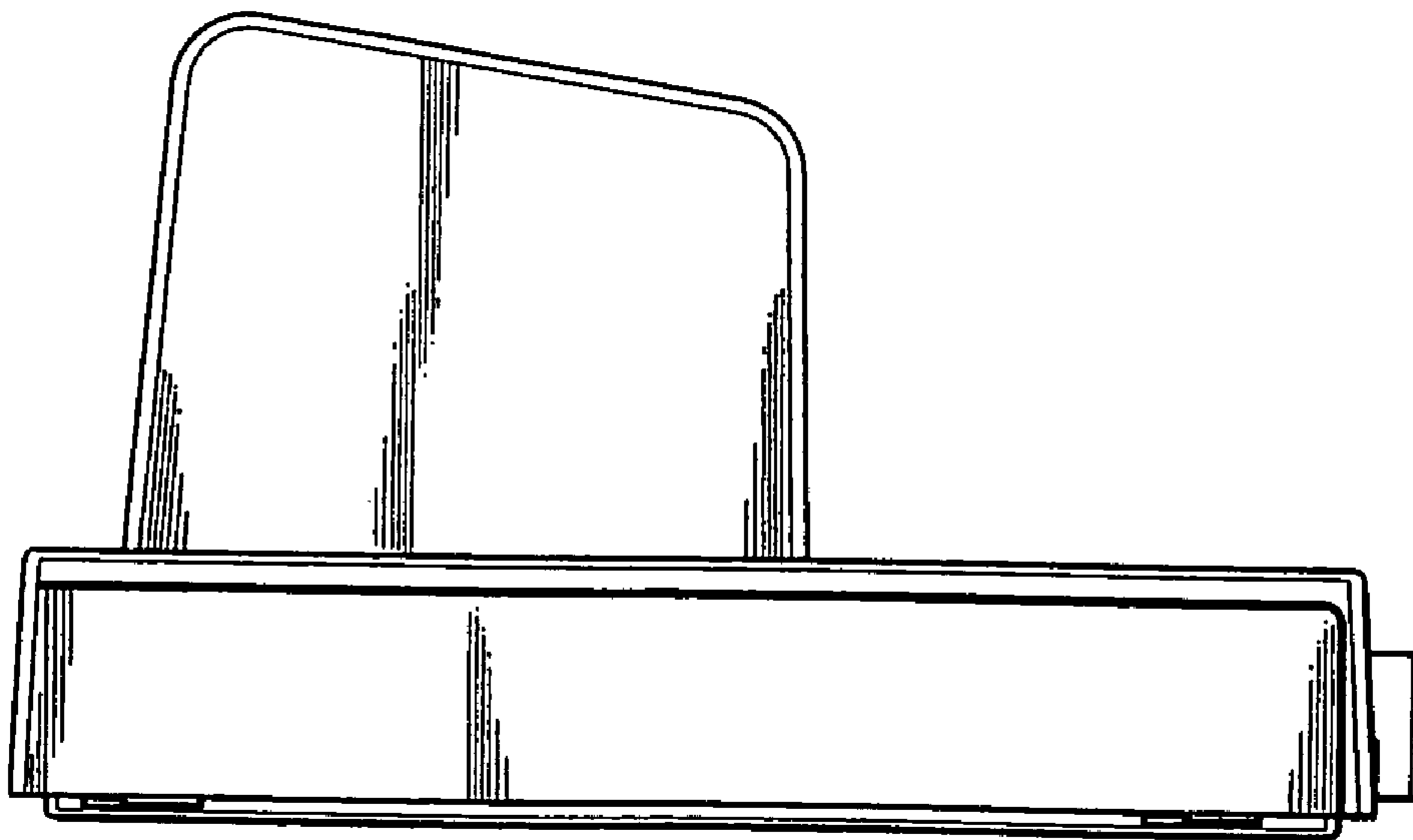
*Figure 3*



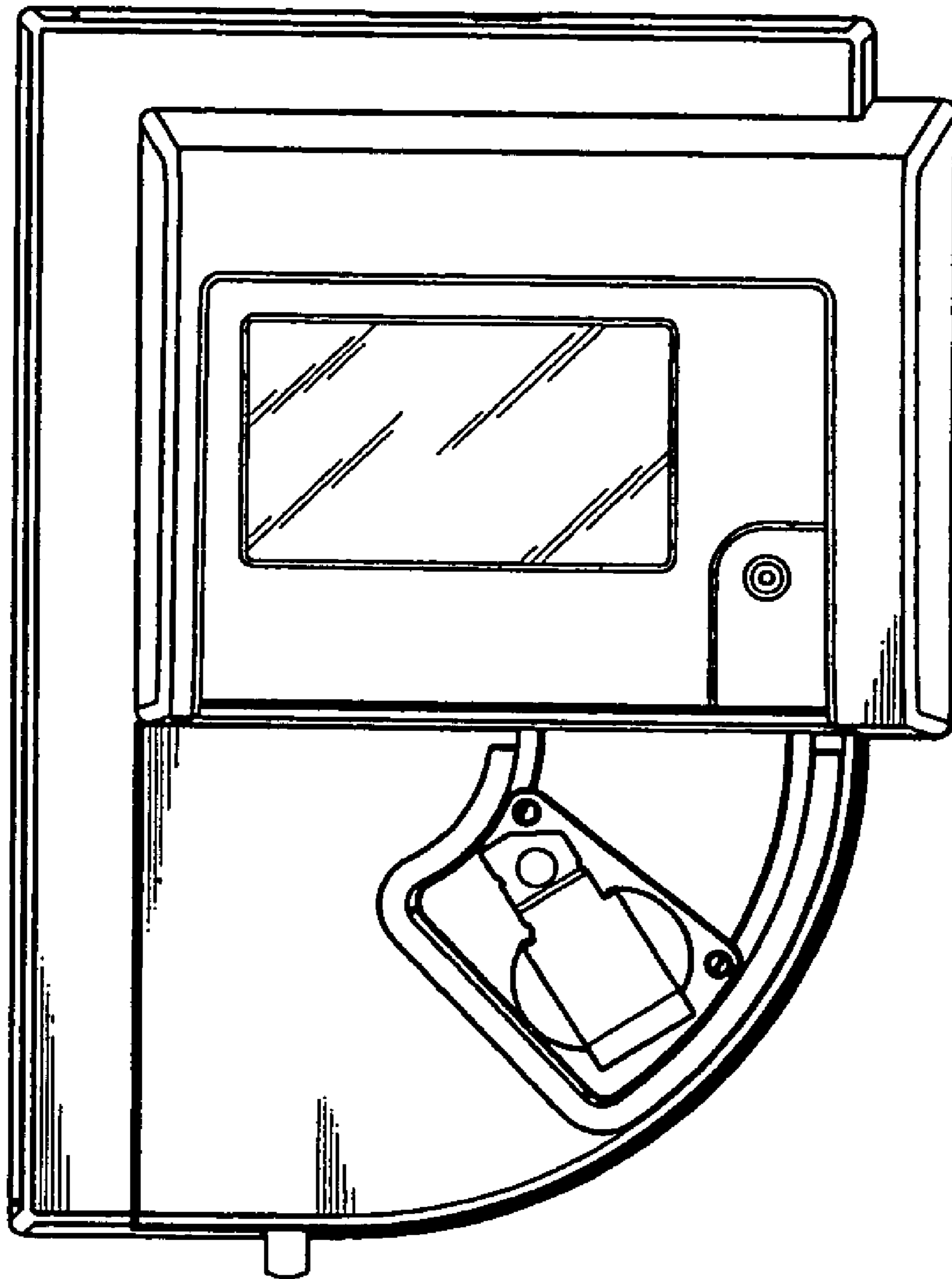
*Figure 4*



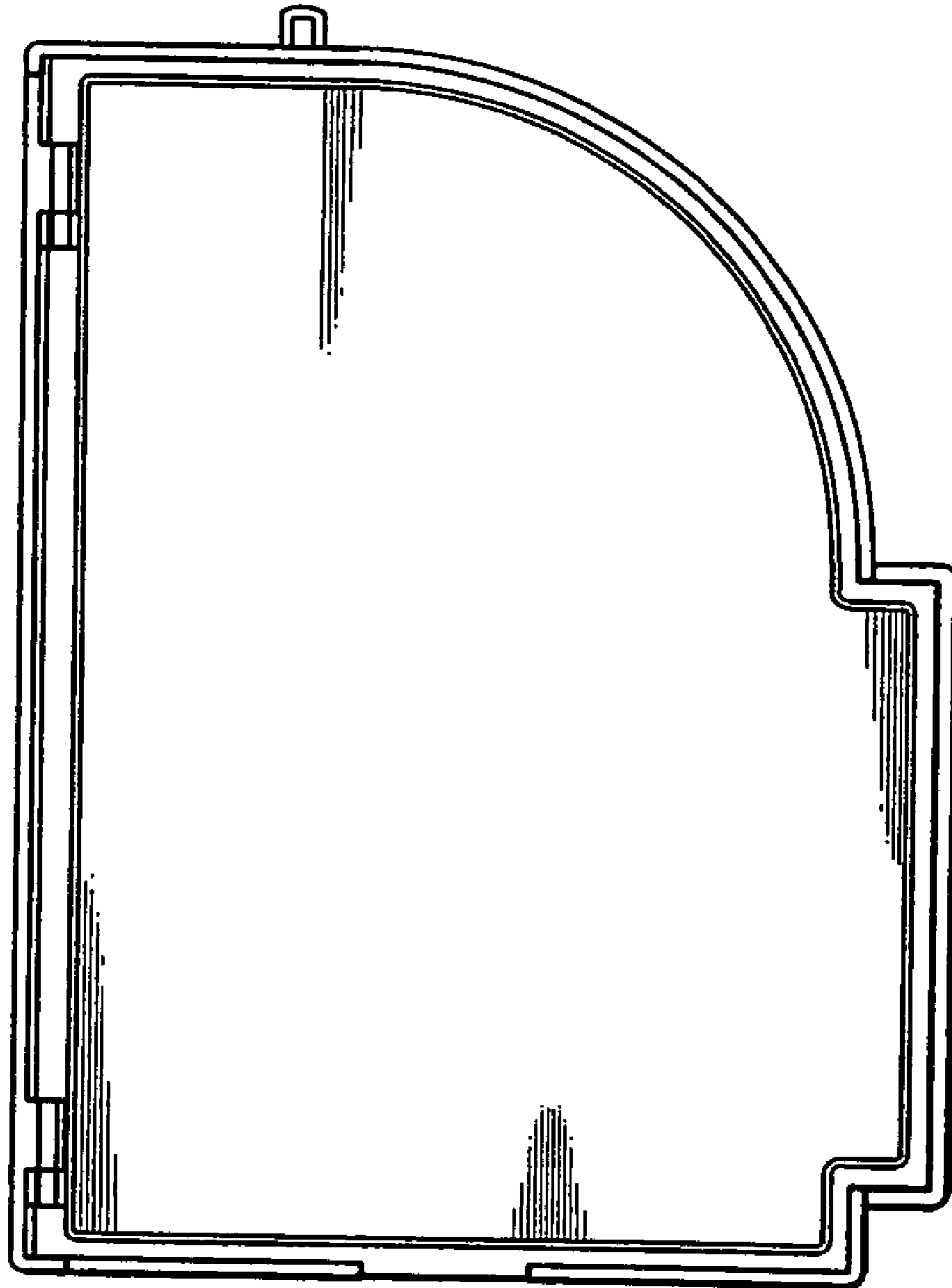
*Figure 5*



*Figure 6*



*Figure 7*



*Figure 8*