



US00D552498S

(12) **United States Design Patent**
Roesmann et al.

(10) **Patent No.:** **US D552,498 S**

(45) **Date of Patent:** **** Oct. 9, 2007**

(54) **ELECTRONIC SCALE**

(75) Inventors: **Jeffrey D. Roesmann**, Chicago, IL
(US); **Kieron H. Tse**, Arlington
Heights, IL (US)

(73) Assignee: **Tanita Corporation**, Tokyo (JP)

(**) Term: **14 Years**

(21) Appl. No.: **29/268,952**

(22) Filed: **Nov. 17, 2006**

(51) **LOC (8) Cl.** **10-04**

(52) **U.S. Cl.** **D10/91**

(58) **Field of Classification Search** D10/91,
D10/92; 177/25.12–25.18, 238–245, 177,
177/126, 1, 181, 210 R, 210 C, 25, 30, 127,
177/DIG. 3; 600/506, 547

See application file for complete search history.

(56) **References Cited**

U.S. PATENT DOCUMENTS

D472,833 S * 4/2003 Thadani D10/91
6,600,110 B1 * 7/2003 Thadani et al. 177/126
D518,398 S * 4/2006 Kesselman D10/91
D519,048 S * 4/2006 Kesselman D10/91
D520,891 S * 5/2006 Motomizu et al. D10/91

D521,889 S * 5/2006 Kesselman D10/91
D521,890 S * 5/2006 Motomizu et al. D10/91
D531,074 S * 10/2006 Malhi D10/91

* cited by examiner

Primary Examiner—Antoine D. Davis

(74) *Attorney, Agent, or Firm*—Buchanan Ingersoll &
Rooney PC

(57) **CLAIM**

The ornamental design for an electronic scale, as shown and
described.

DESCRIPTION

FIG. 1 is a top, front and left side perspective view of an
electronic scale showing our new design;

FIG. 2 is a front elevational view thereof;

FIG. 3 is a rear elevational view thereof;

FIG. 4 is a right side elevational view thereof;

FIG. 5 is a left side elevational view thereof;

FIG. 6 is a top plan view thereof; and,

FIG. 7 is a bottom view thereof.

Where included, broken lines are for illustrative purposes
only and form no part of the claimed design.

1 Claim, 2 Drawing Sheets

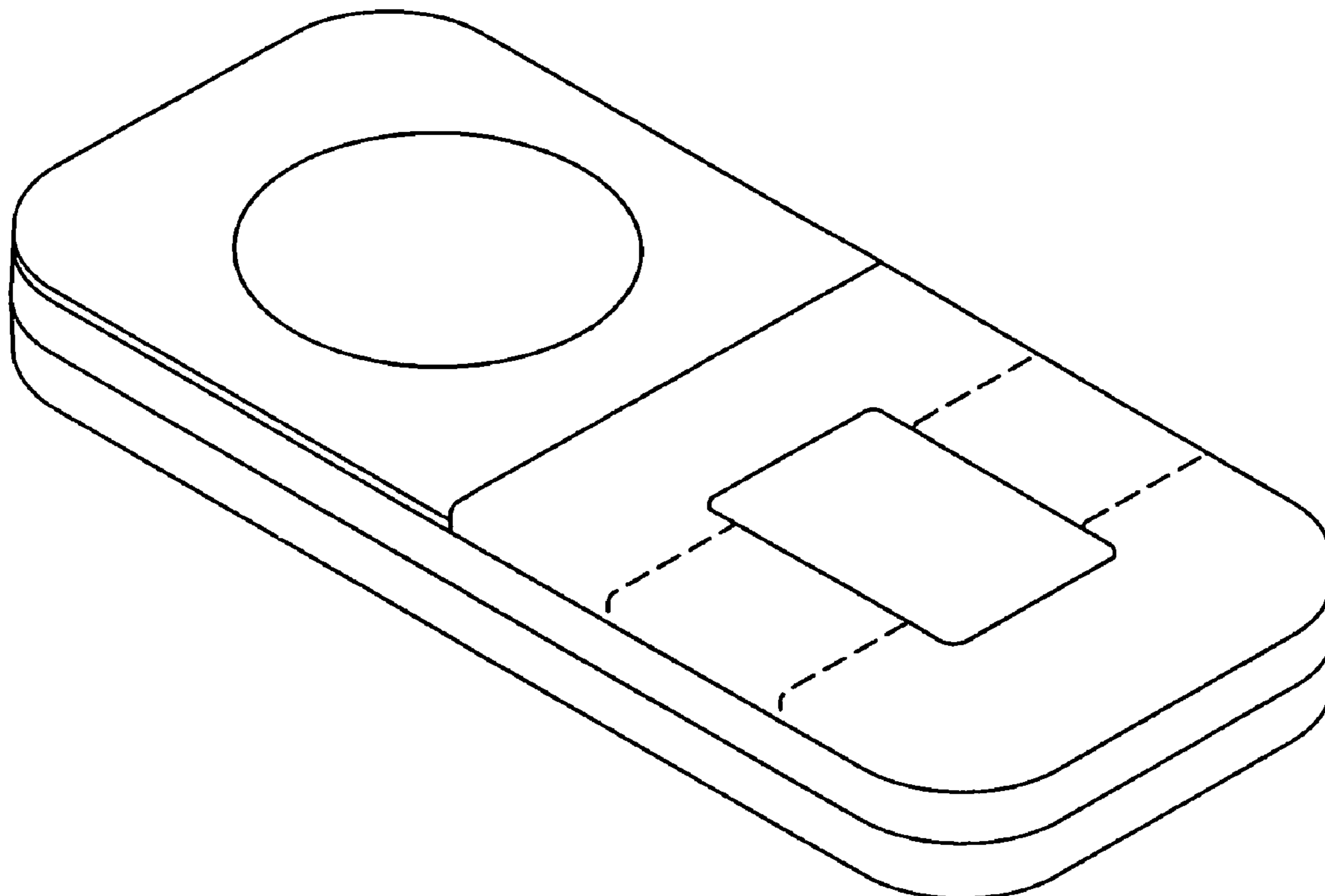


Fig.1

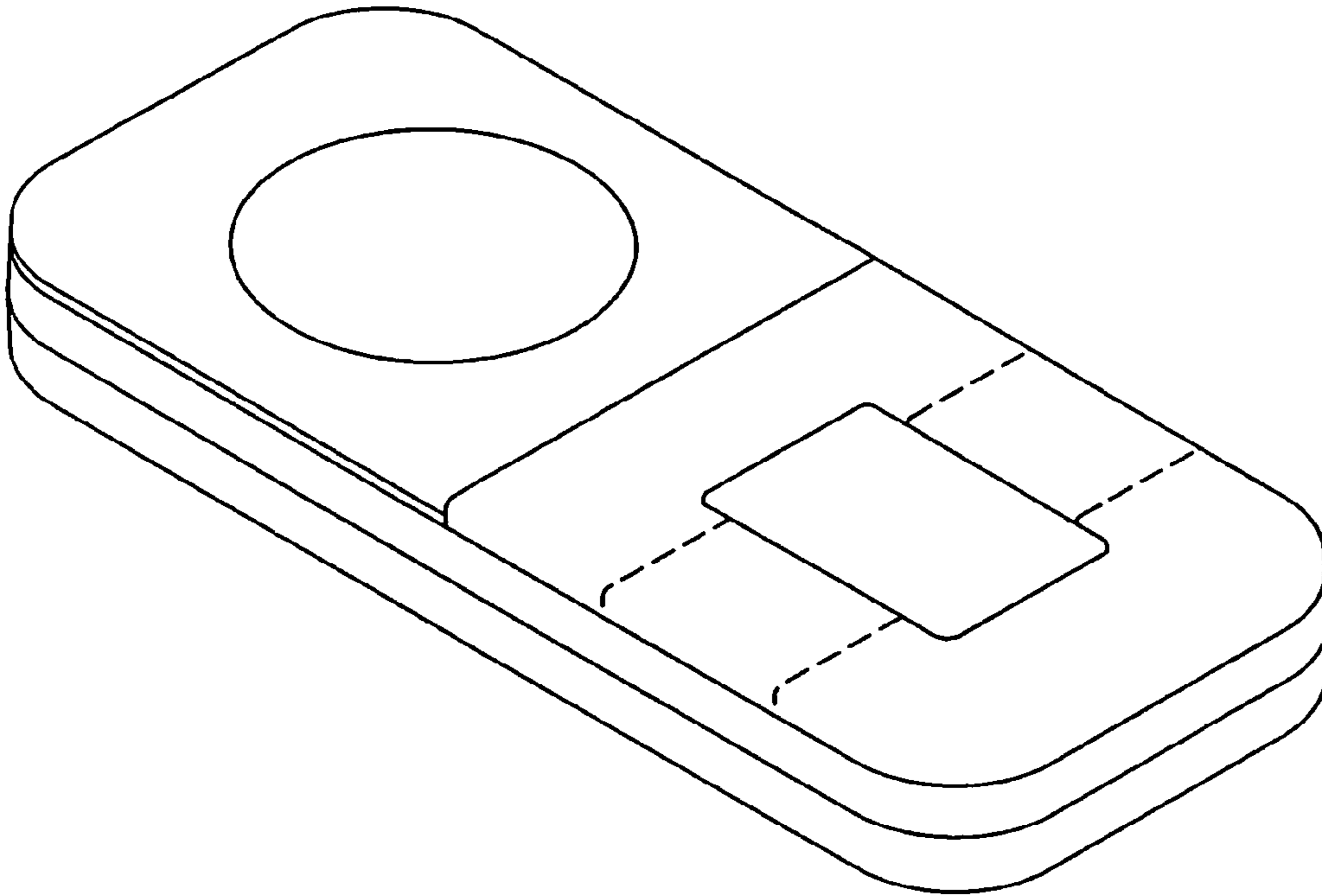


Fig.2

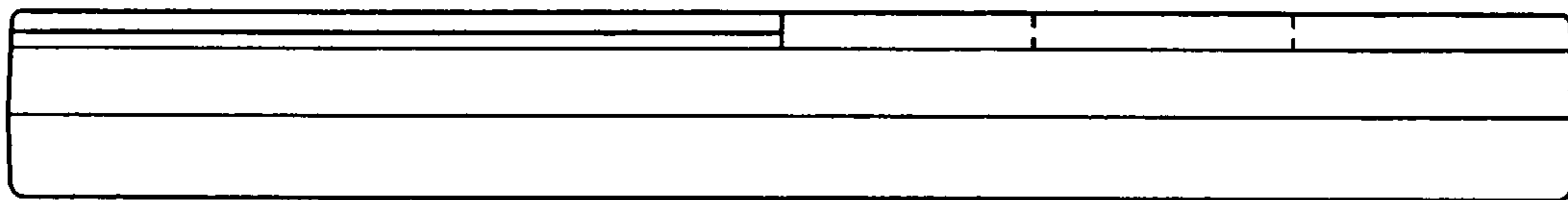


Fig.3

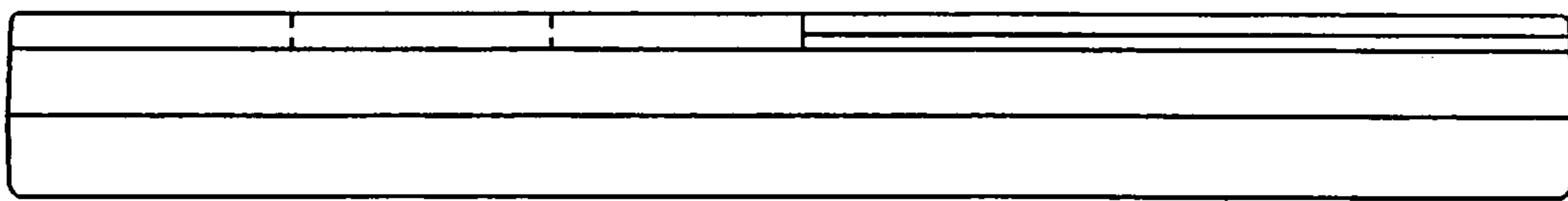


Fig.4

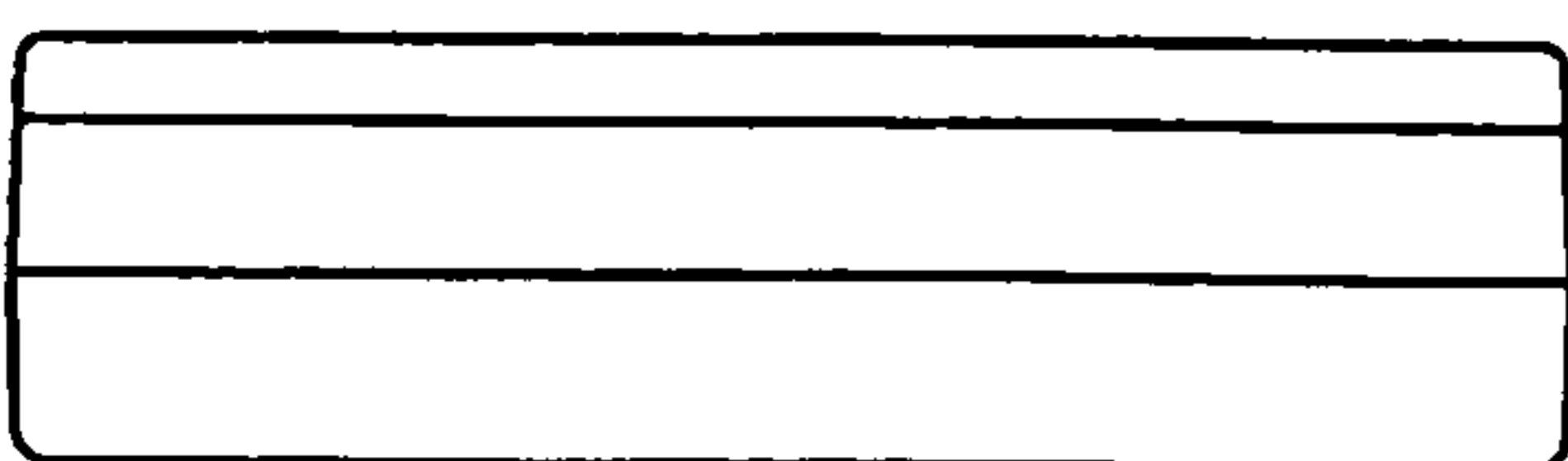


Fig.5

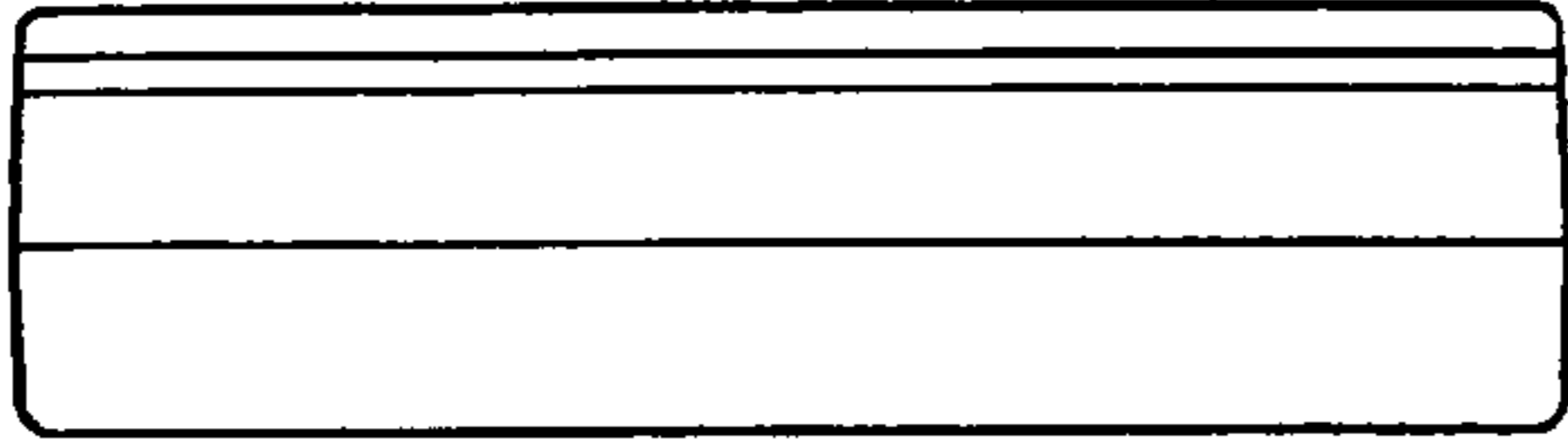


Fig.6

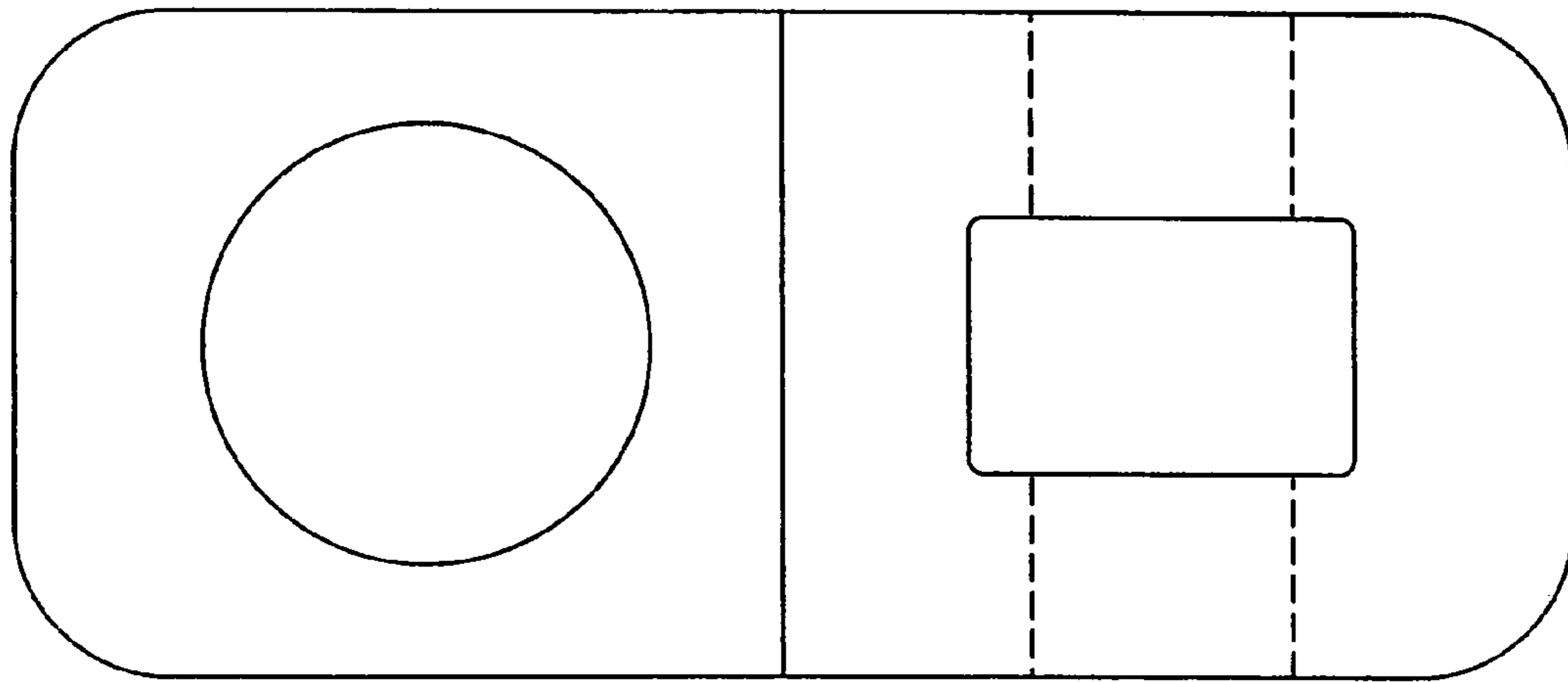


Fig.7

