



US00D552496S

(12) **United States Design Patent**  
**Janky et al.**

(10) **Patent No.:** **US D552,496 S**  
(45) **Date of Patent:** **\*\* Oct. 9, 2007**

(54) **NETWORK TEST INSTRUMENT**

(75) Inventors: **Sena E. R. Janky**, Sammamish, WA  
(US); **Wayne S. Hoofnagle**, Redmond,  
WA (US)

(73) Assignee: **Fluke Corporation**, Everett, WA (US)

(\*\*) Term: **14 Years**

(21) Appl. No.: **29/247,842**

(22) Filed: **Jul. 15, 2006**

(51) **LOC (8) Cl.** ..... **10-04**

(52) **U.S. Cl.** ..... **D10/78**

(58) **Field of Classification Search** ..... D10/78;  
370/248-249; 375/224-225; 379/1.04,  
379/15.03, 22.01-22.04; 324/72.5, 110,  
324/114-115, 149, 151 A, 151 R, 156, 158 F;  
340/653, 660; 439/482

See application file for complete search history.

(56) **References Cited**

**U.S. PATENT DOCUMENTS**

D395,252 S \* 6/1998 Nelson et al. .... D10/78  
6,445,773 B1 \* 9/2002 Liang et al. .... 379/1.04  
D478,017 S \* 8/2003 Chen ..... D10/78  
D502,416 S \* 3/2005 Chen ..... D10/78

D510,533 S \* 10/2005 Hoofnagle ..... D10/78  
D512,333 S \* 12/2005 Blacken et al. .... D10/78  
D543,475 S \* 5/2007 Janky ..... D10/78

\* cited by examiner

*Primary Examiner*—Antoine D. Davis

(74) *Attorney, Agent, or Firm*—Richard A. Koske; James H.  
Walters

(57) **CLAIM**

We claim the ornamental design for a network test instru-  
ment, as shown and described.

**DESCRIPTION**

FIG. 1 is a perspective view of the design for a network test  
instrument;

FIG. 2 is a front plan view of the design of FIG. 1;

FIG. 3 is a rear plan view of the design of FIG. 1;

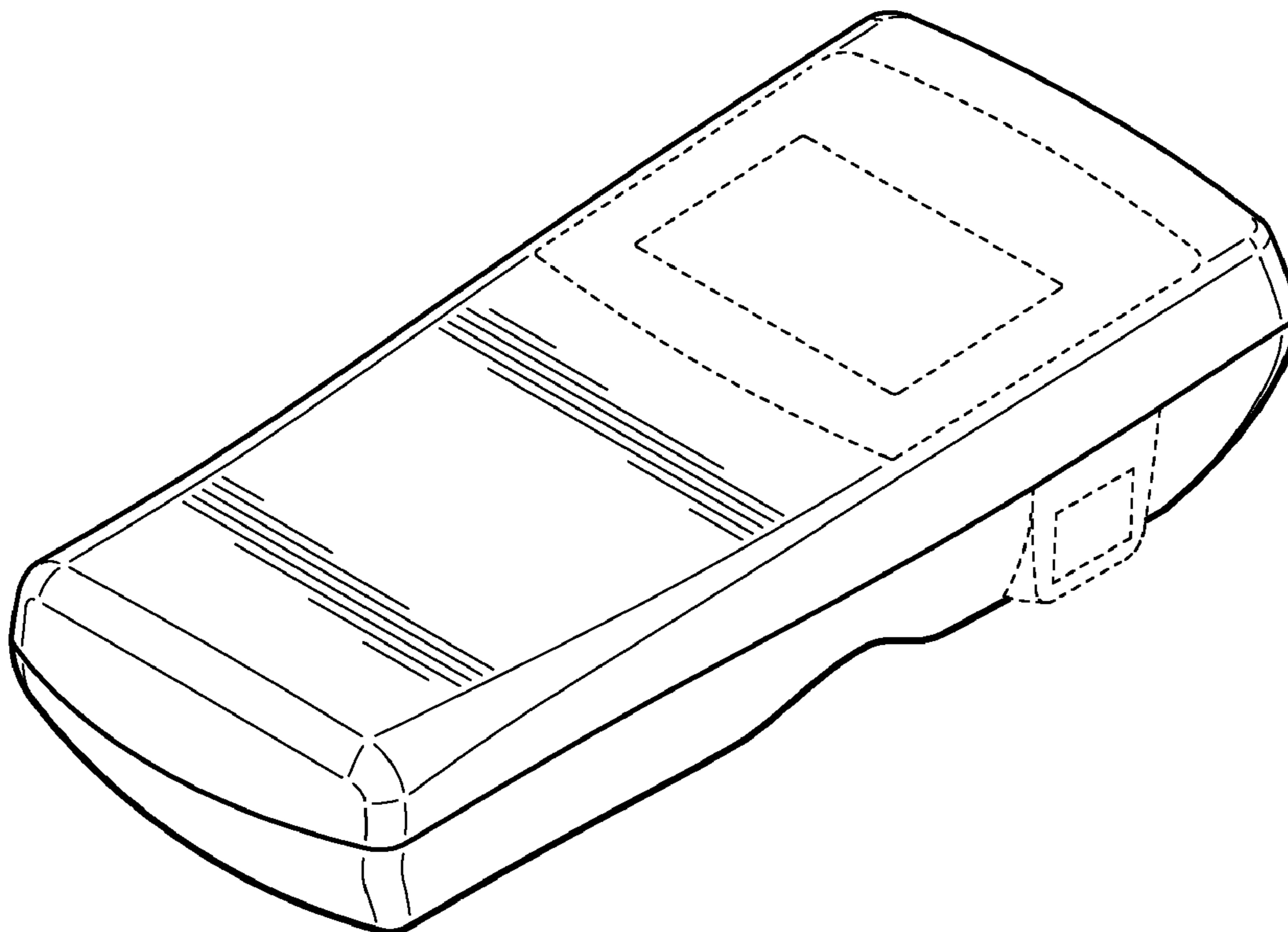
FIG. 4 is a right side elevation view of the design of FIG. 1,  
the left side elevation view being a mirror image thereof;

FIG. 5 is a top elevation view of the design of FIG. 1; and,

FIG. 6 is a bottom elevation view of the design of FIG. 1.

The broken lines showing in FIGS. 1-6 are for illustrative  
purposes only and forms no part of the claimed design.

**1 Claim, 3 Drawing Sheets**



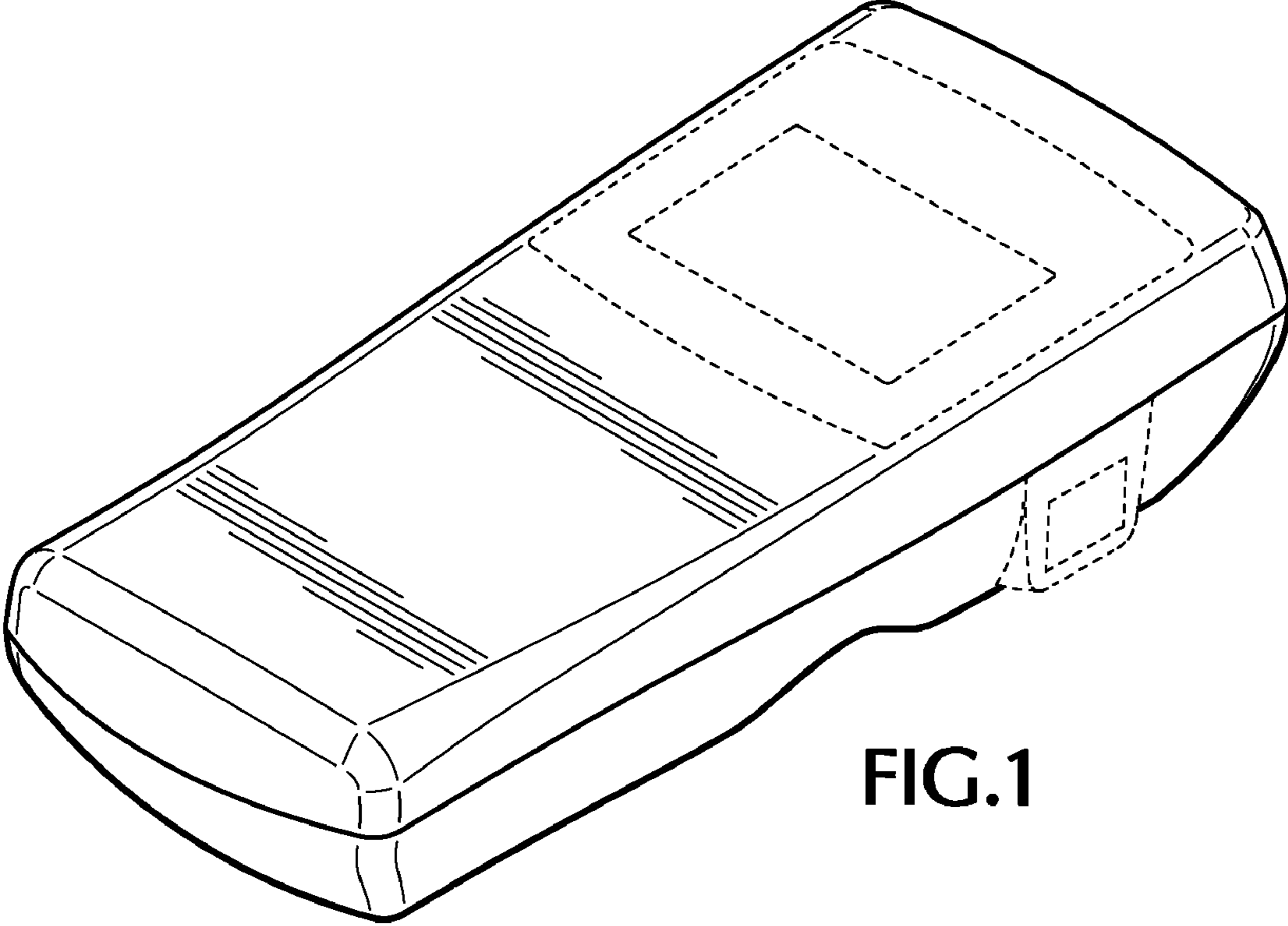


FIG.1

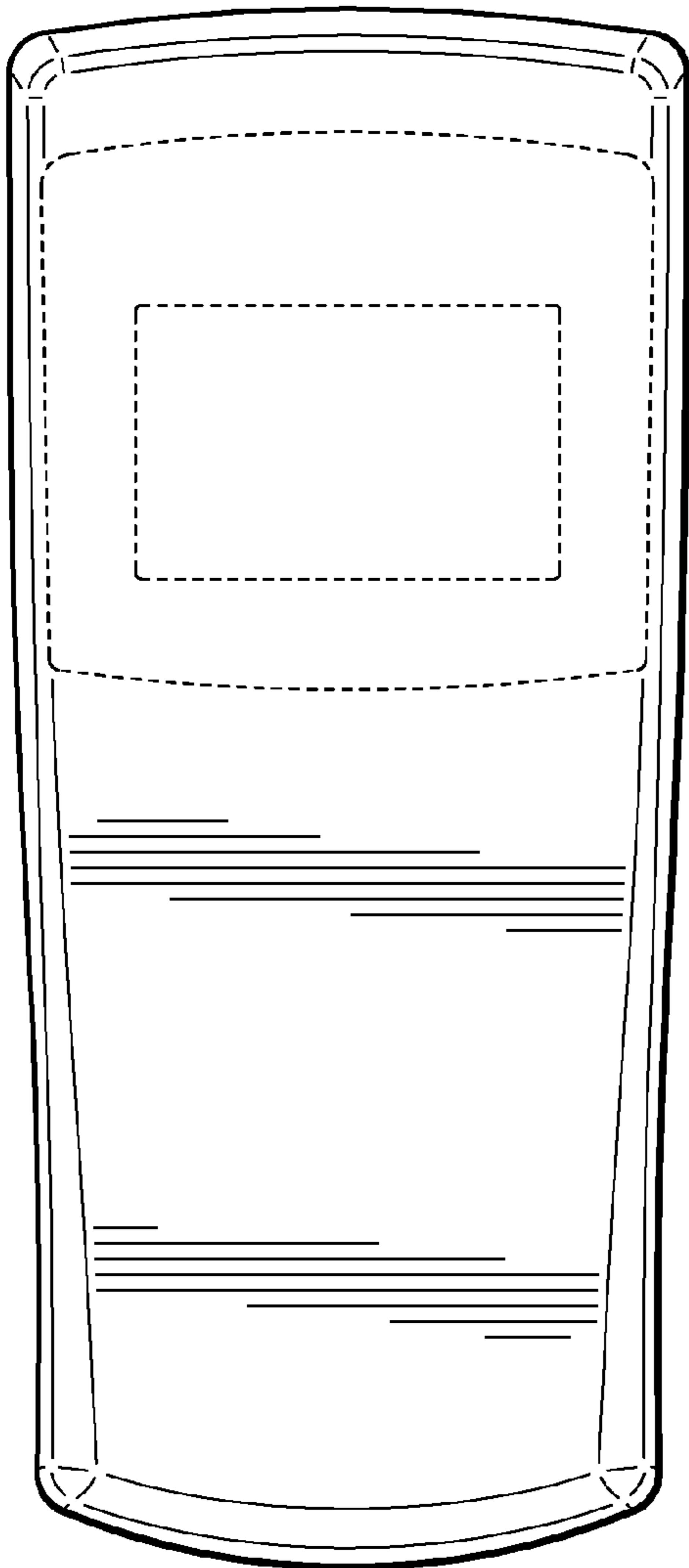


FIG. 2

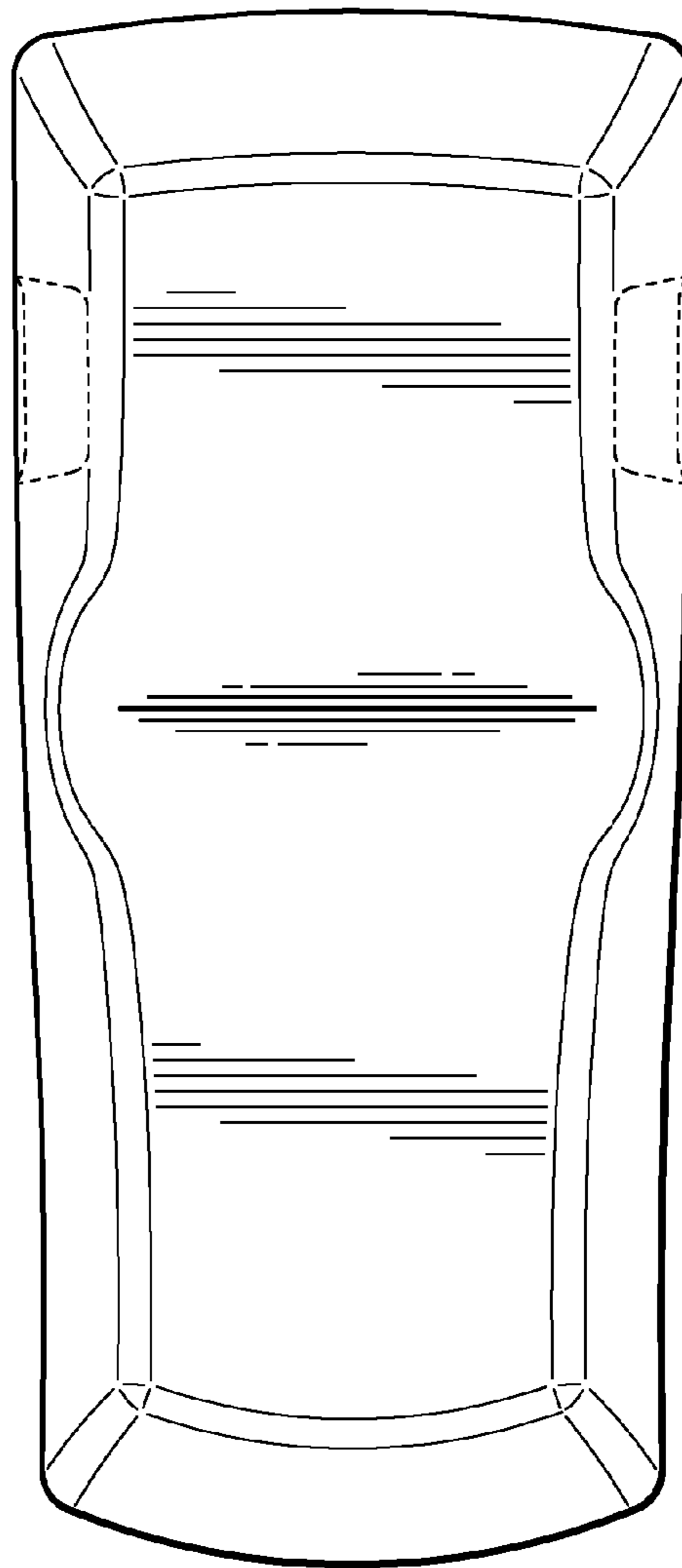


FIG. 3

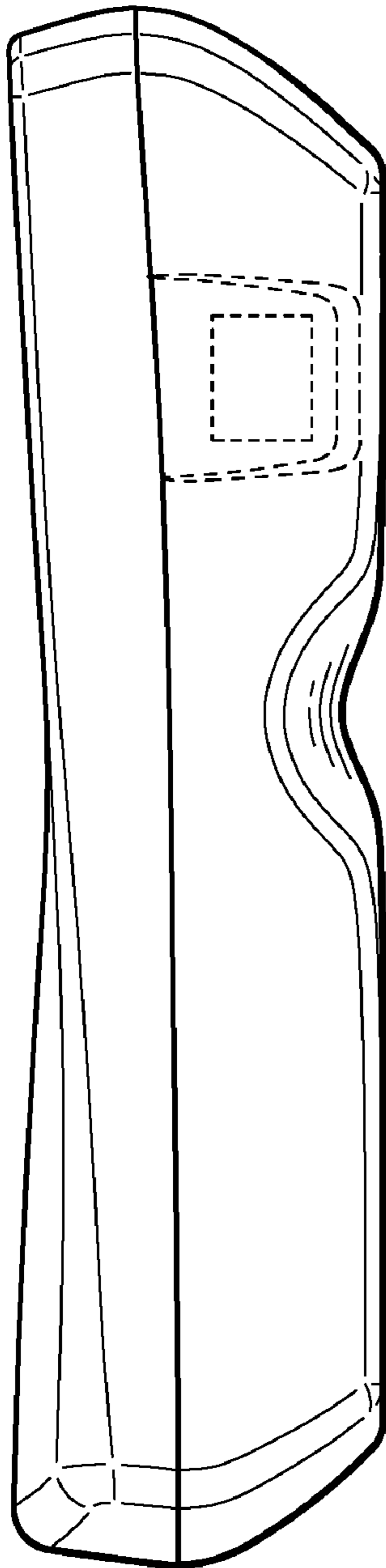


FIG. 4

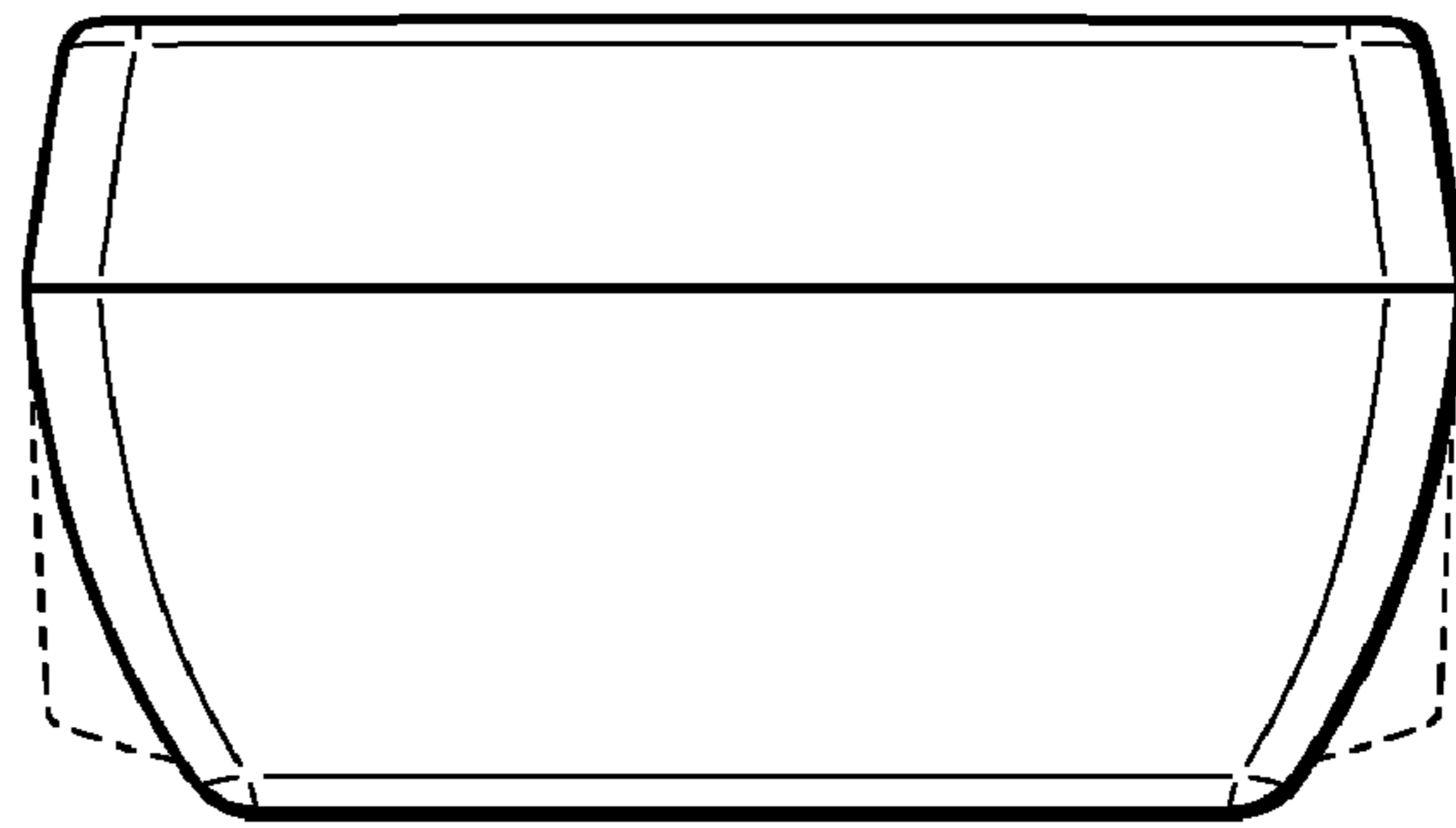


FIG. 5

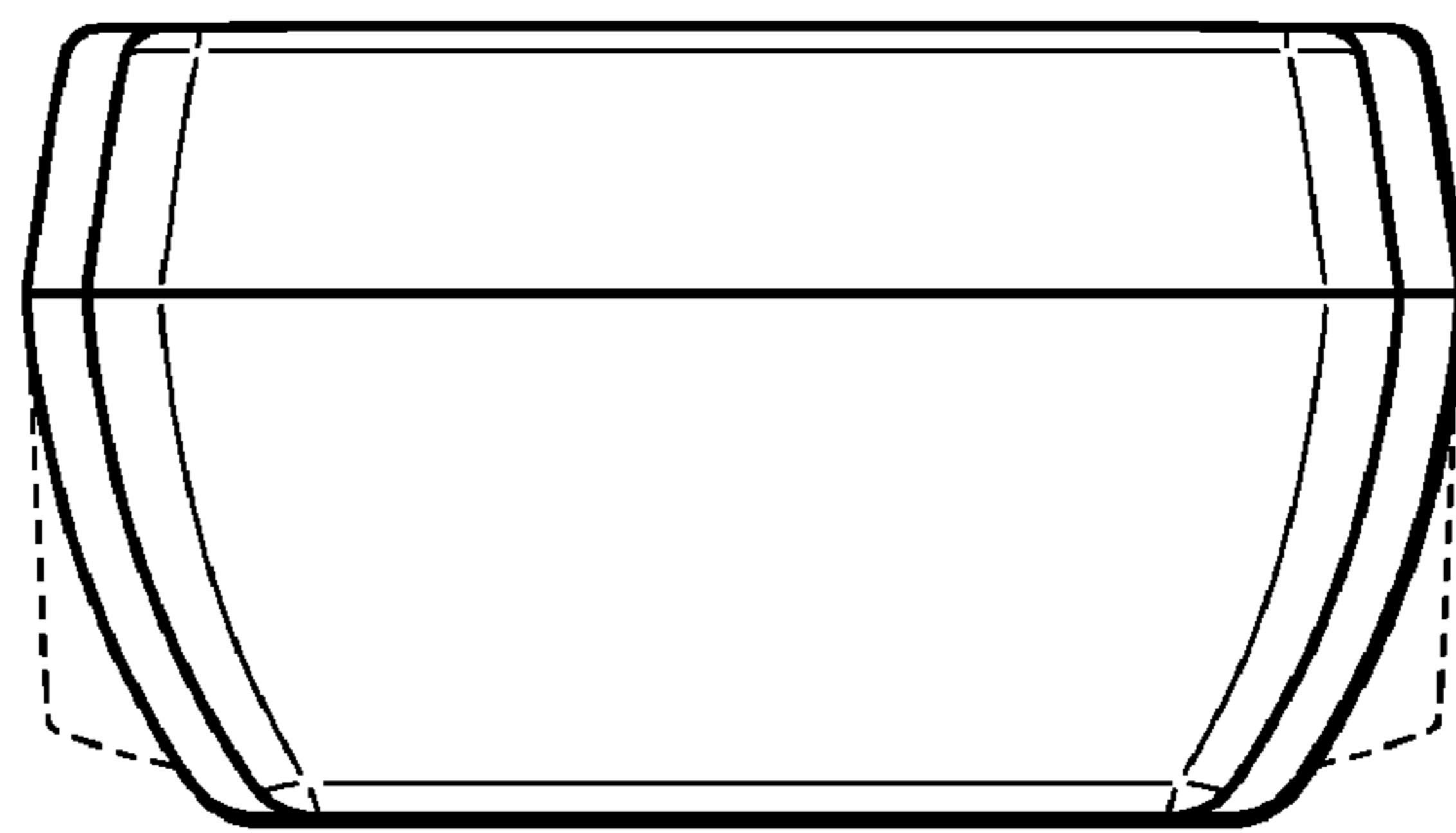


FIG. 6