



US00D552495S

(12) **United States Design Patent**
Bhavani

(10) **Patent No.:** **US D552,495 S**
(45) **Date of Patent:** **** Oct. 9, 2007**

(54) **PEDOMETER CRADLE**

2006/0268162 A1* 11/2006 Kayanuma 348/375

(75) Inventor: **Dilip Bhavani**, Beverly Hills, CA
(US)

OTHER PUBLICATIONS

U.S. Appl. No. 10/754,154, Carl Cetera.

(73) Assignee: **Sun Coast Merchandise Corporation**,
Commerce, CA (US)

* cited by examiner

Primary Examiner—Antoine D. Davis

(**) Term: **14 Years**

(74) *Attorney, Agent, or Firm*—The Soni Law Firm

(21) Appl. No.: **29/247,749**

(57) **CLAIM**

(22) Filed: **Jul. 10, 2006**

The ornamental design for a pedometer cradle, as shown and described.

(51) **LOC (8) Cl.** **10-04**

DESCRIPTION

(52) **U.S. Cl.** **D10/74**

(58) **Field of Classification Search** D8/349,
D8/354, 373; D10/74; D14/148–151, 240,
D14/251, 253, 299, 386; 128/903, 920; 348/375,
348/E5.025; 379/441, 440, 454, 455, 419,
379/420, 428; 600/595, 508, 300; 235/95 C,
235/105

FIG. 1 is a front side top perspective view thereof;

FIG. 2 is a front elevational perspective view thereof;

FIG. 3 is a top plan view thereof;

FIG. 4 is a side elevational view thereof;

FIG. 5 is a side elevational view thereof;

FIG. 6 is a back elevational view thereof;

FIG. 7 is a bottom plan view thereof; and,

FIG. 8 is a front side top perspective view thereof with phantom lines depicting environmental structure and forming no part of the claimed design.

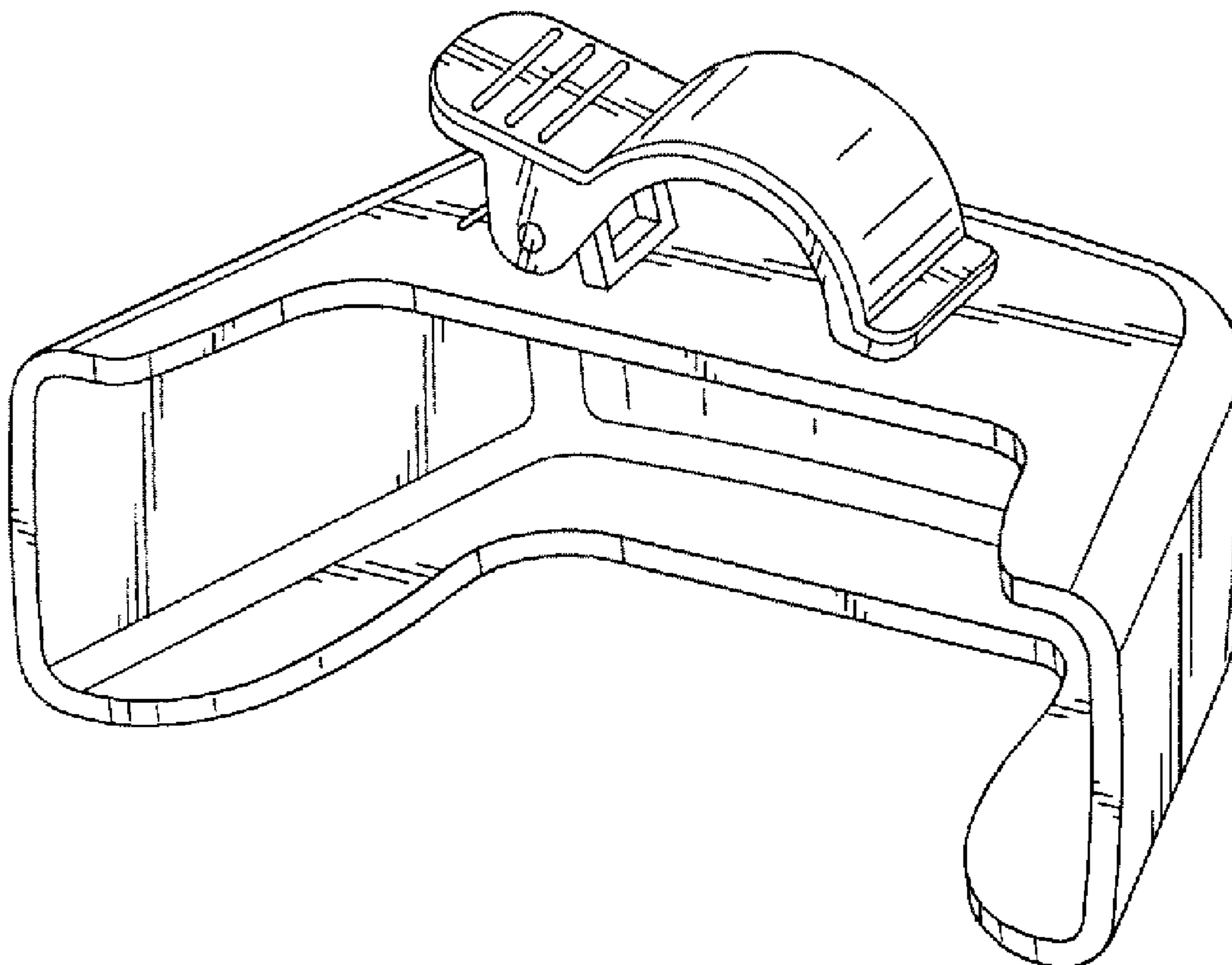
See application file for complete search history.

(56) **References Cited**

U.S. PATENT DOCUMENTS

- D356,798 S * 3/1995 Rudkiewicz et al. D14/253
- D358,822 S * 5/1995 Rudkiewicz et al. D14/253
- D478,902 S * 8/2003 Hemer D14/240

1 Claim, 2 Drawing Sheets



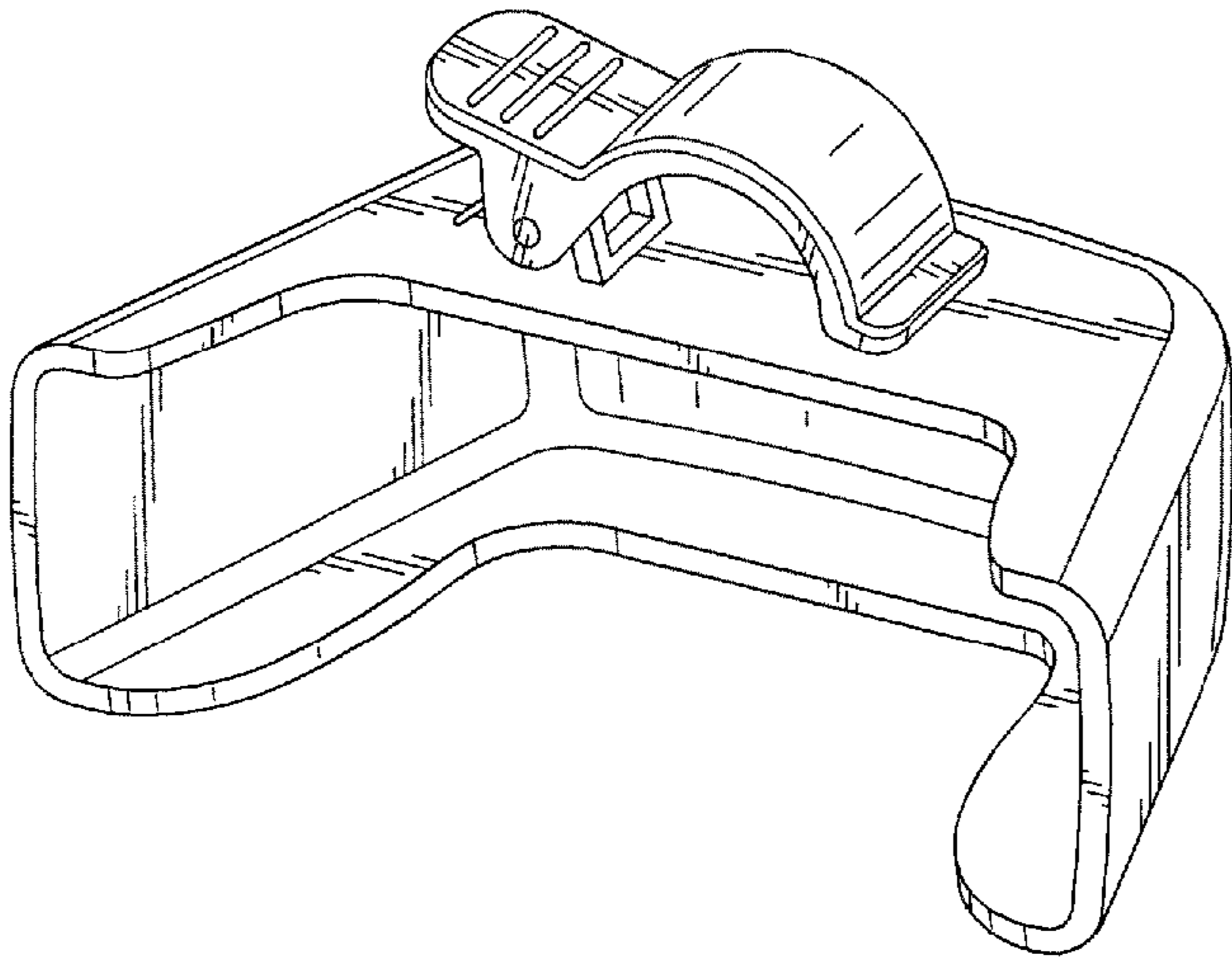


FIG. 1

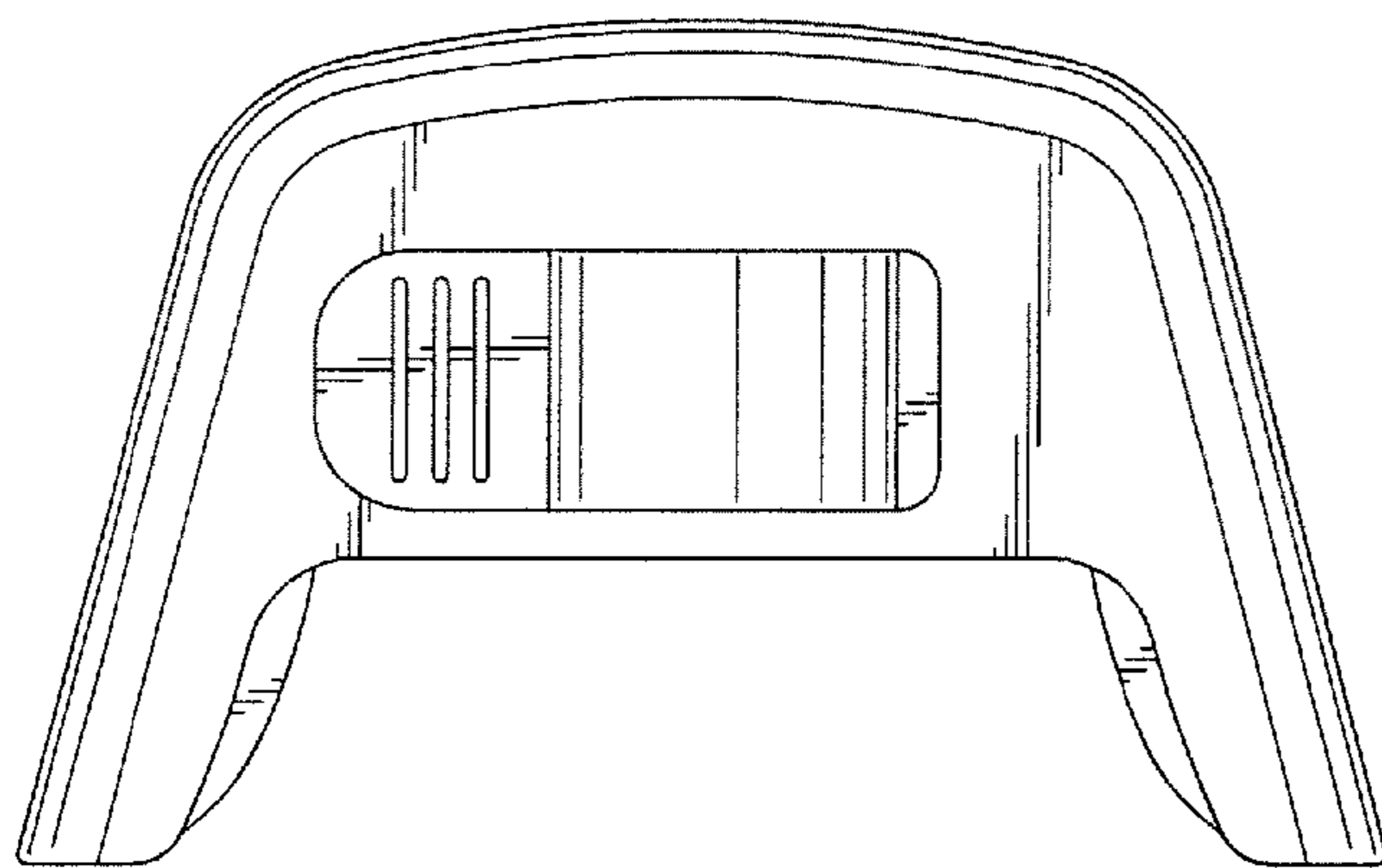


FIG. 2

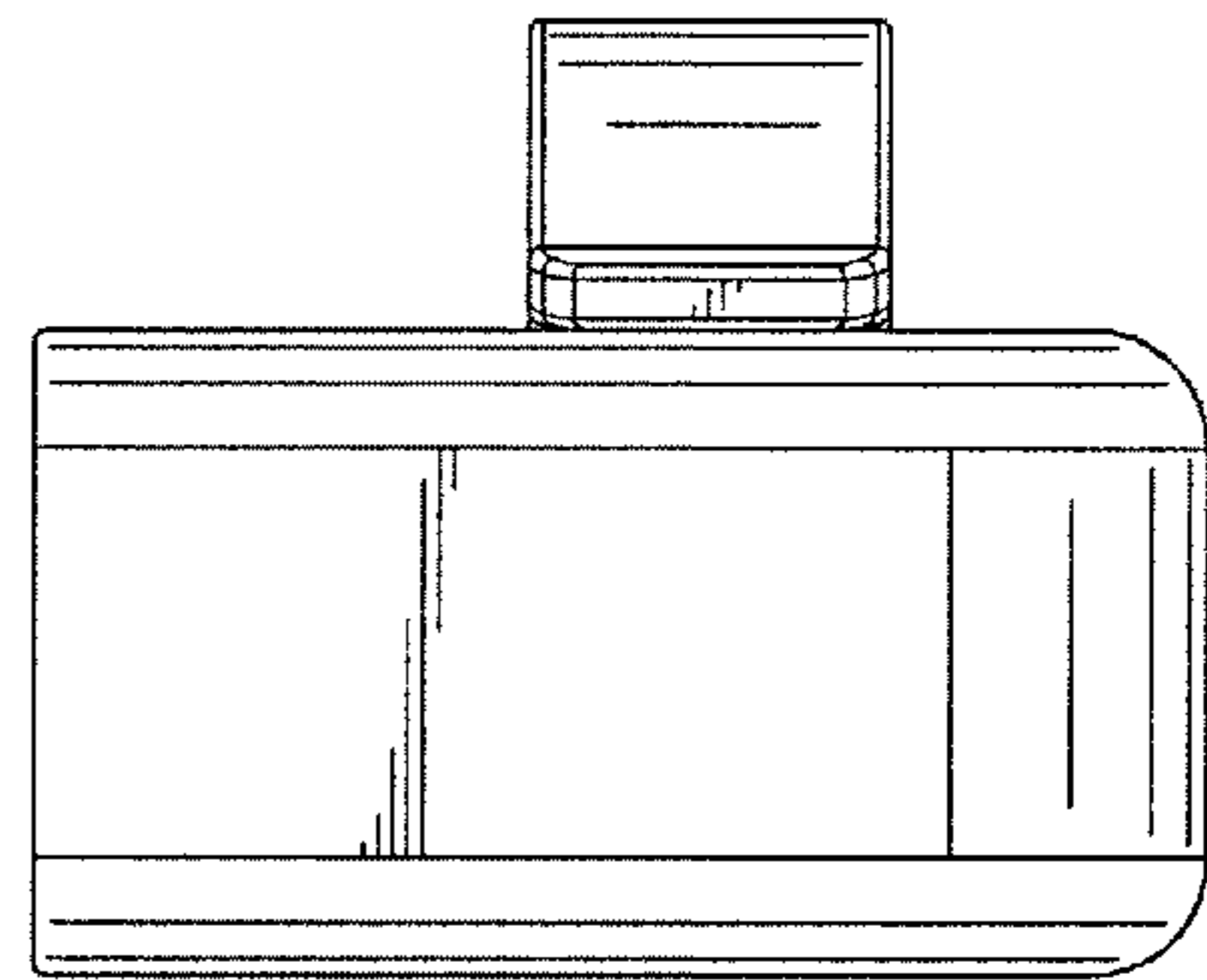


FIG. 4

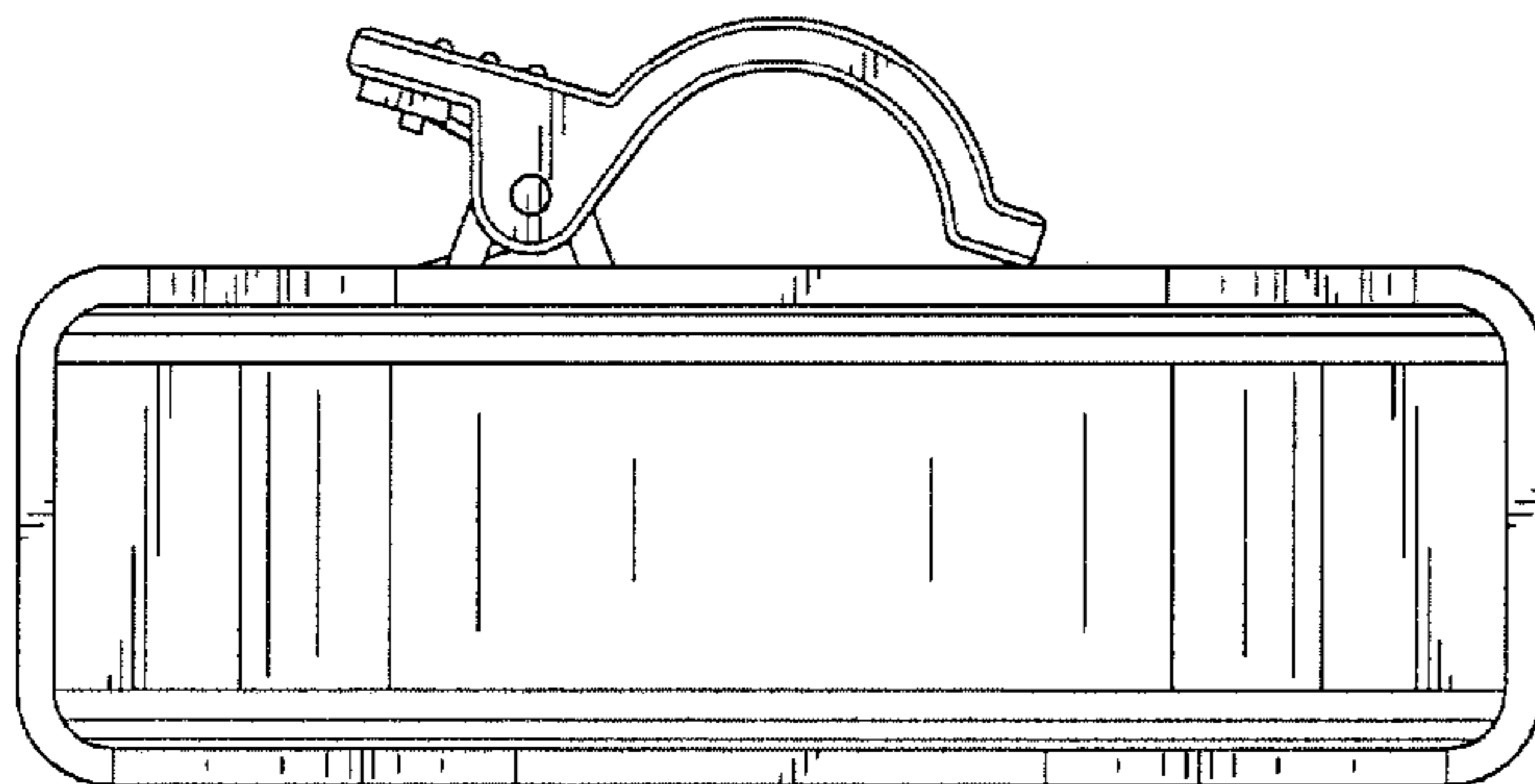


FIG. 3

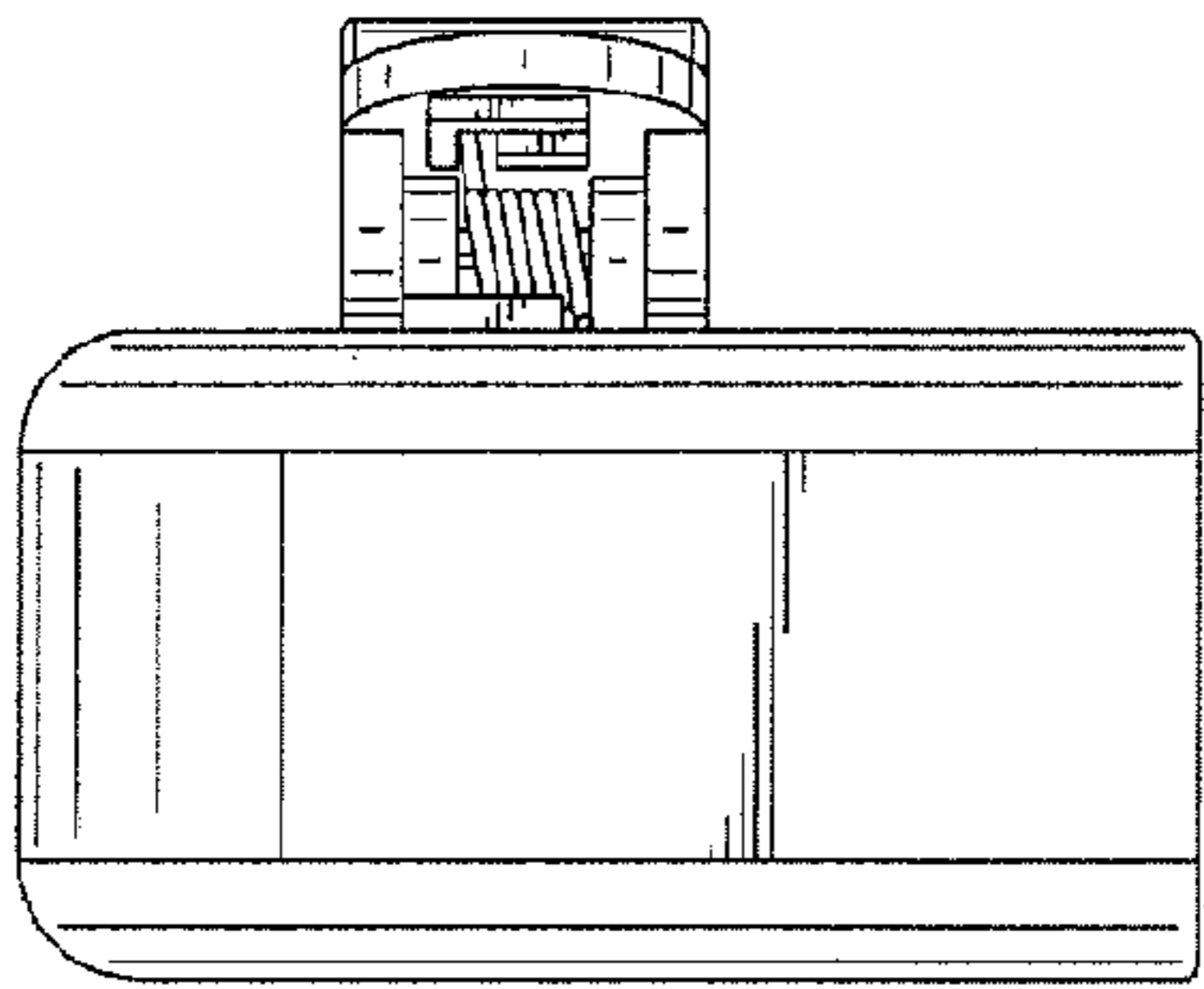


FIG. 5

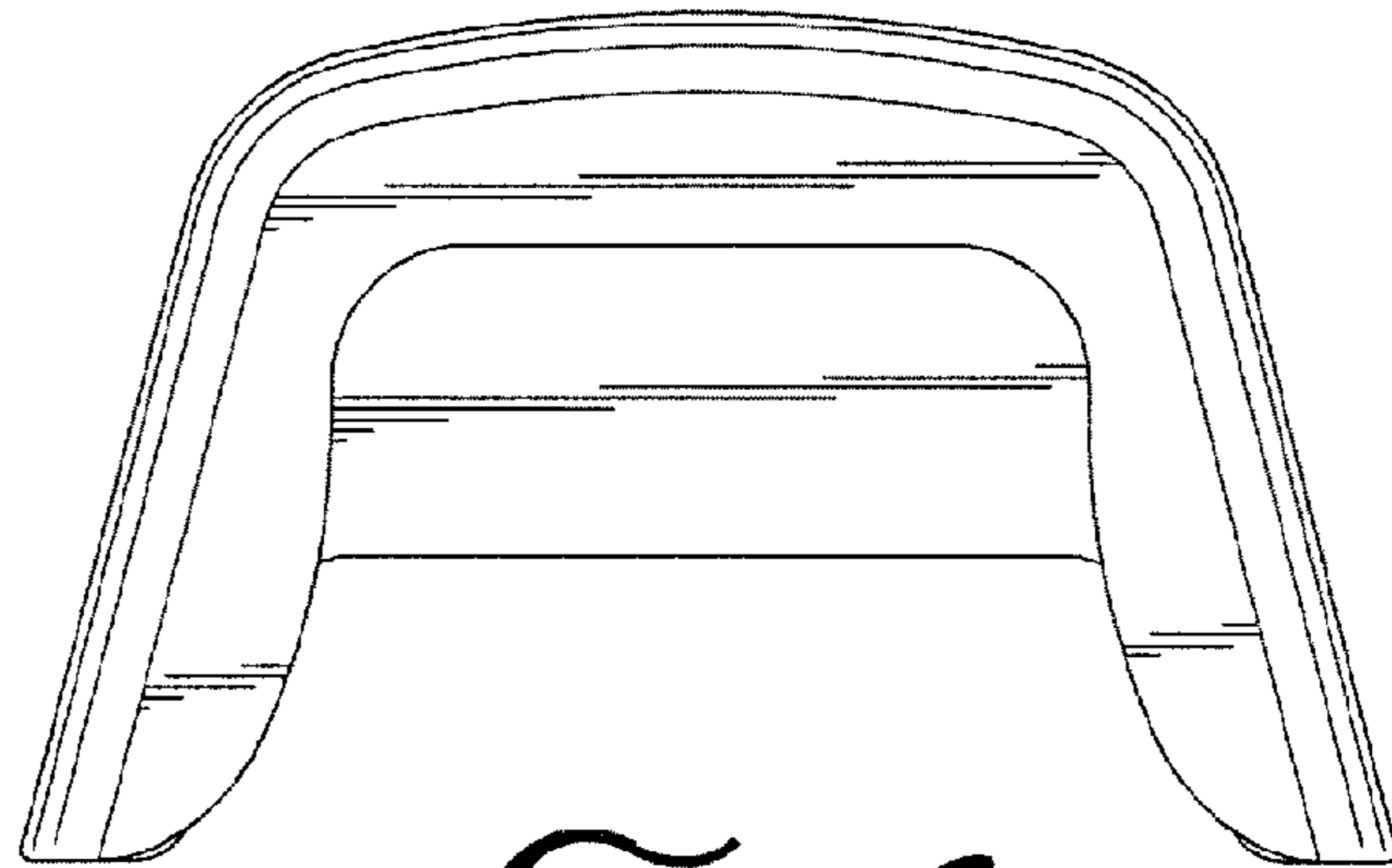


FIG. 6

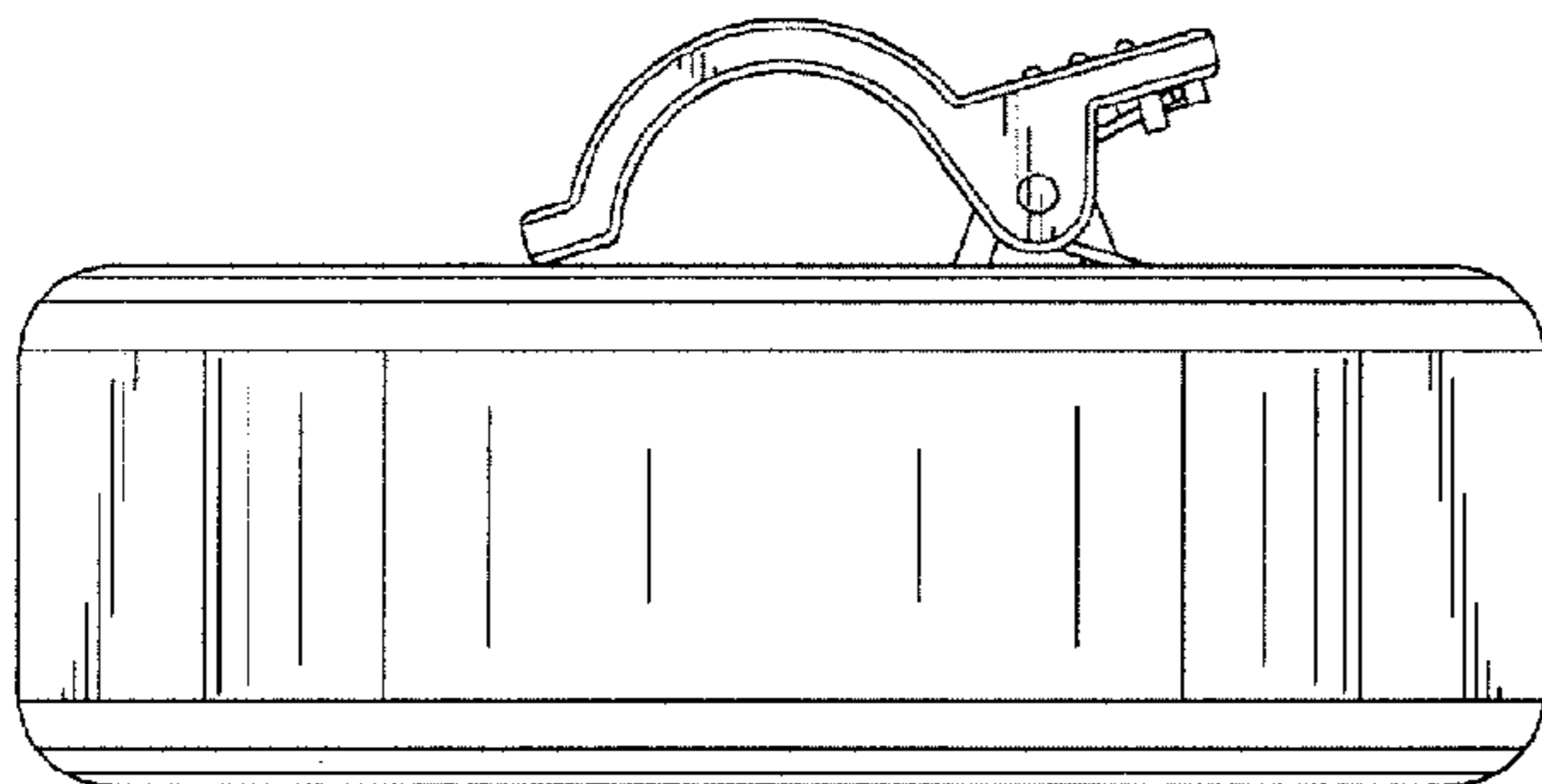


FIG. 7

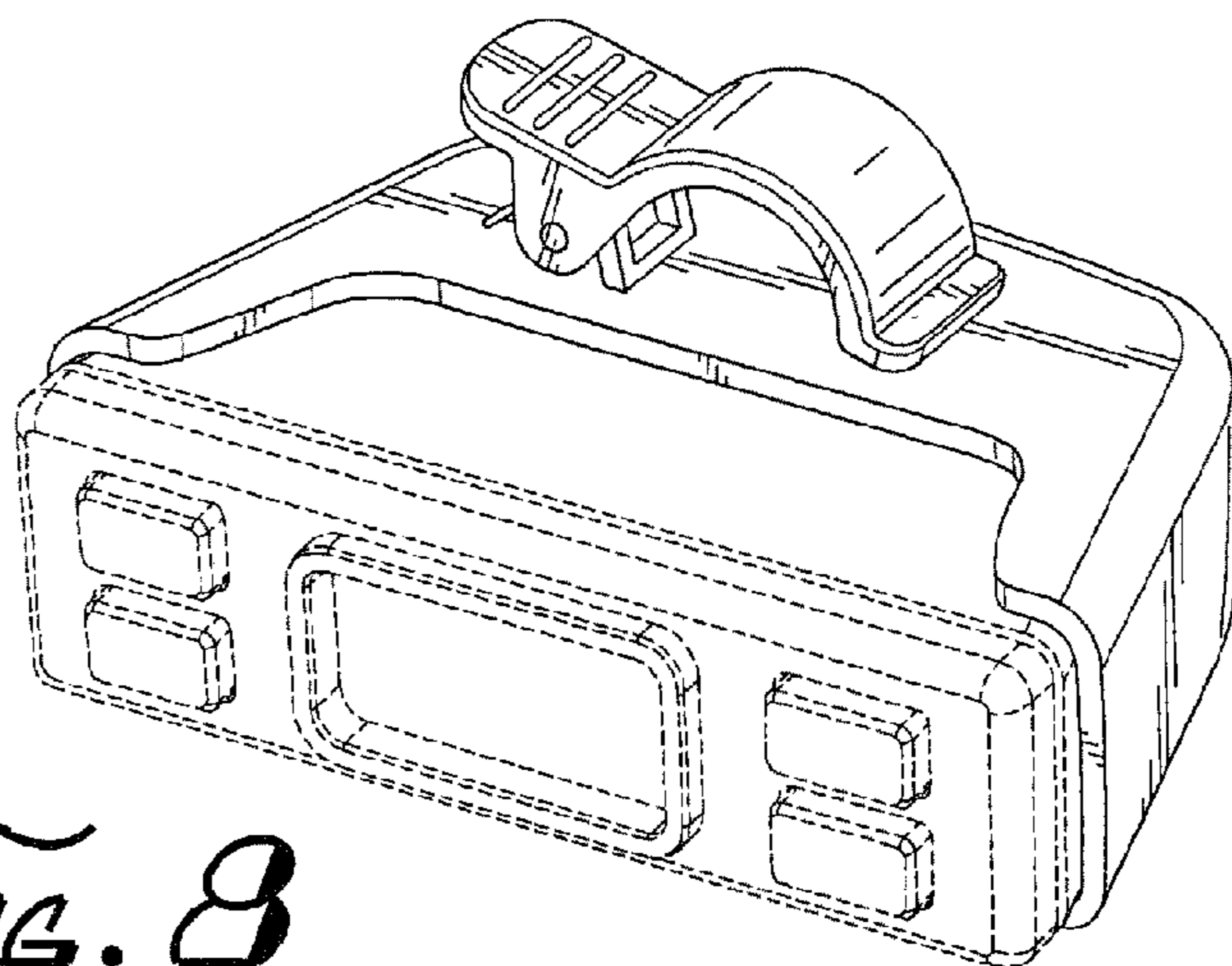


FIG. 8