



US00D552492S

(12) **United States Design Patent**
Wang

(10) **Patent No.:** **US D552,492 S**

(45) **Date of Patent:** **** Oct. 9, 2007**

(54) **WATCH CASE**

D508,416 S * 8/2005 Tang D10/30
D526,218 S * 8/2006 Krieger D10/39

(75) Inventor: **Xiao Tao Wang**, Fushan (CN)

* cited by examiner

(73) Assignee: **New Heritage Ltd.**, Kowloon (HK)

Primary Examiner—Lucy Lieberman

(**) Term: **14 Years**

(74) *Attorney, Agent, or Firm*—Thomas I. Rozsa

(21) Appl. No.: **29/266,147**

(57) **CLAIM**

(22) Filed: **Sep. 16, 2006**

The ornamental design for a watch case, as shown and described.

(51) **LOC (8) Cl.** **10-02**

(52) **U.S. Cl.** **D10/38**

(58) **Field of Classification Search** D10/30–39;
368/276, 277, 281–283, 285

See application file for complete search history.

DESCRIPTION

(56) **References Cited**

FIG. 1 is a perspective view from the right side of a watch case, showing my new design;

FIG. 2 is a perspective view from the left side;

FIG. 3 is a front elevation of the watch case;

FIG. 4 is a rear elevation of the watch case;

FIG. 5 is an end view when viewed from the top;

FIG. 6 is an end view when viewed from the bottom;

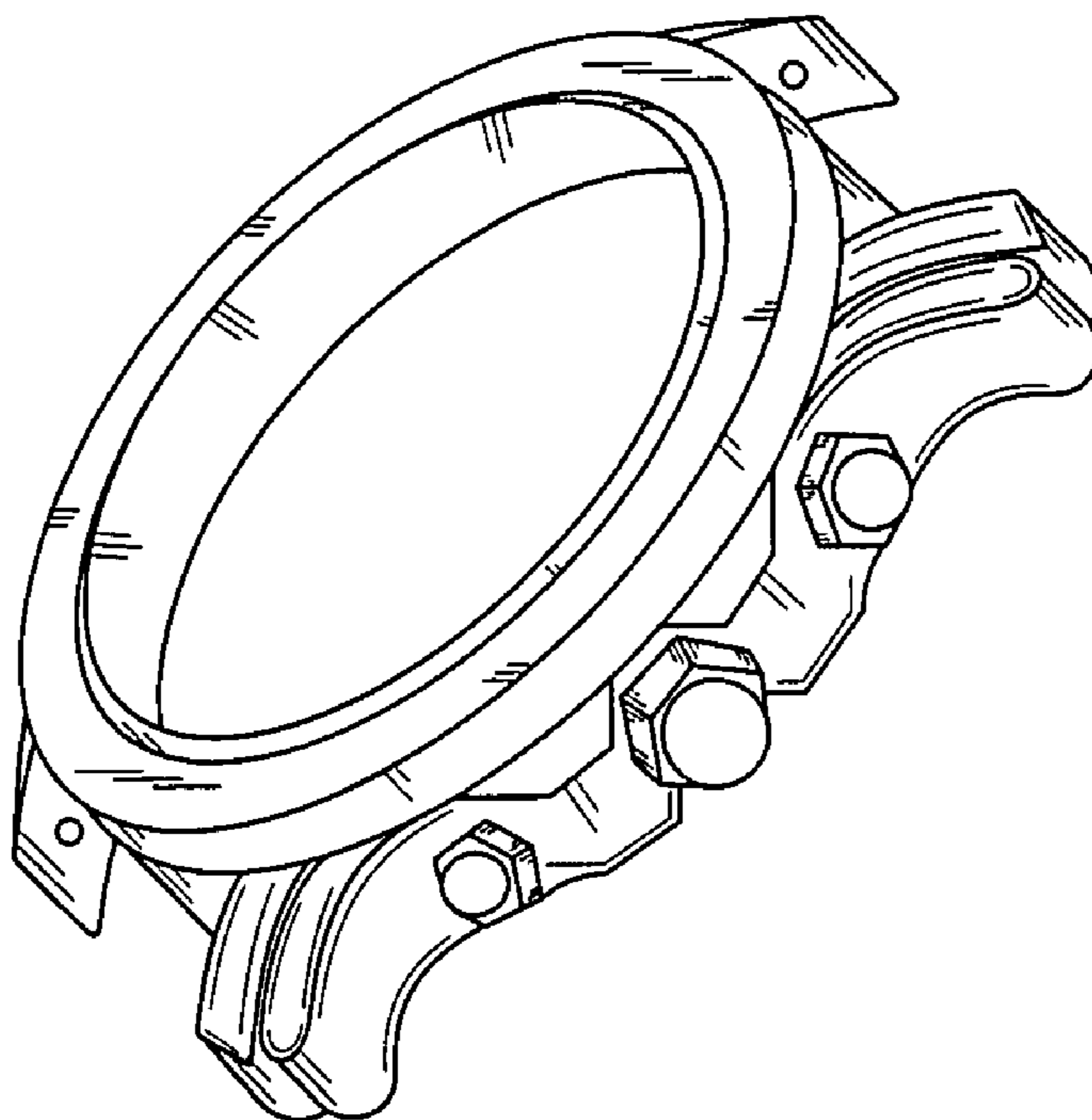
FIG. 7 is a side elevational view when viewed from the right side; and,

FIG. 8 is a side elevational view when viewed from the left side.

U.S. PATENT DOCUMENTS

2,955,357	A	*	10/1960	Uebelhardt	33/272
D423,953	S	*	5/2000	Kauffmann	D10/39
D436,319	S	*	1/2001	Giardiello	D10/39
D447,063	S	*	8/2001	Scheufele	D10/30
D447,424	S	*	9/2001	Modolo	D10/30
D447,427	S	*	9/2001	Finazzi	D10/39
D474,118	S	*	5/2003	Monachon	D10/32
D479,137	S	*	9/2003	Kauffmann	D10/39
D501,641	S	*	2/2005	Sugiura	D10/39
D502,413	S	*	3/2005	Sugiura et al.	D10/39

1 Claim, 4 Drawing Sheets



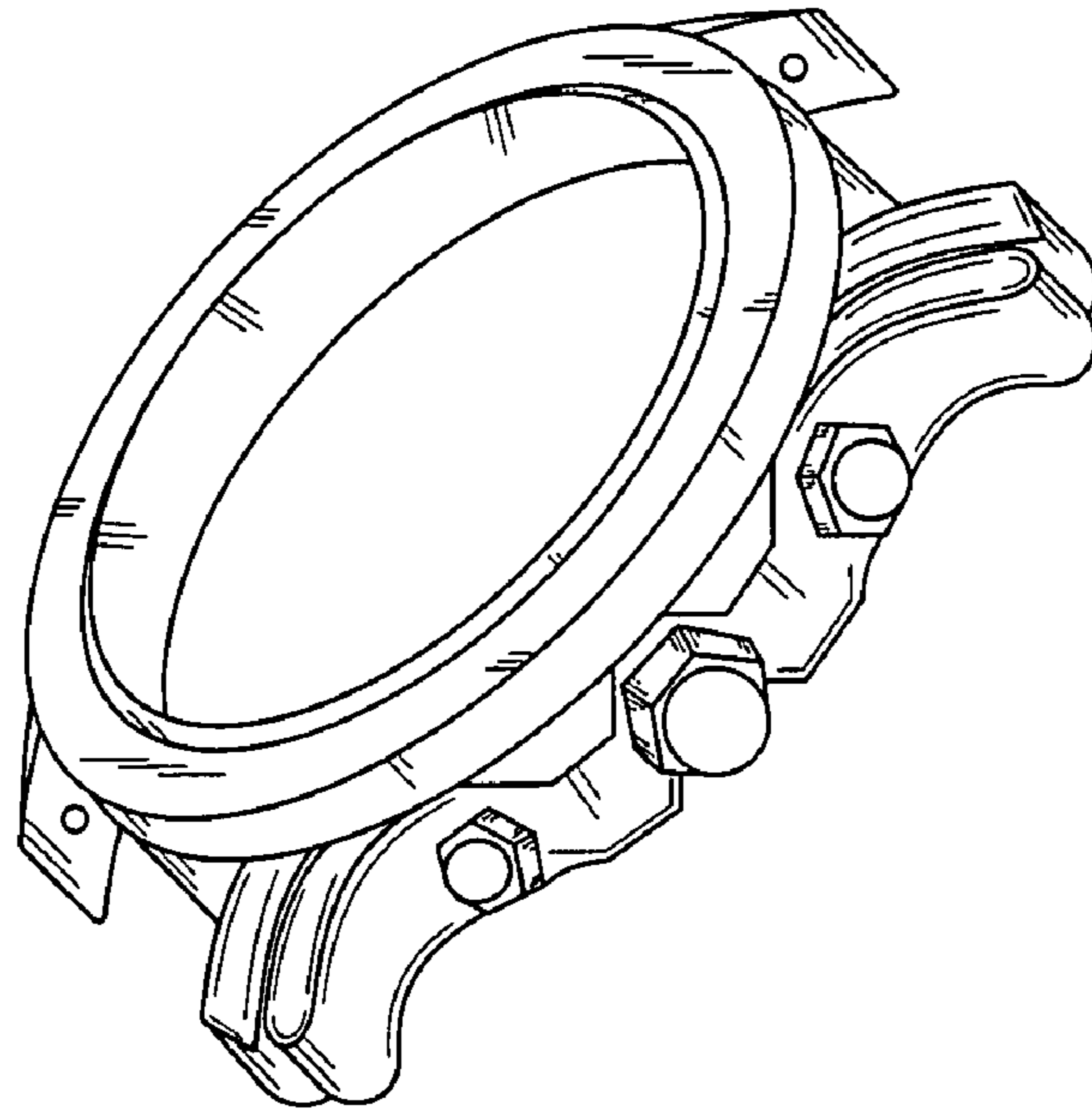


FIG. 1

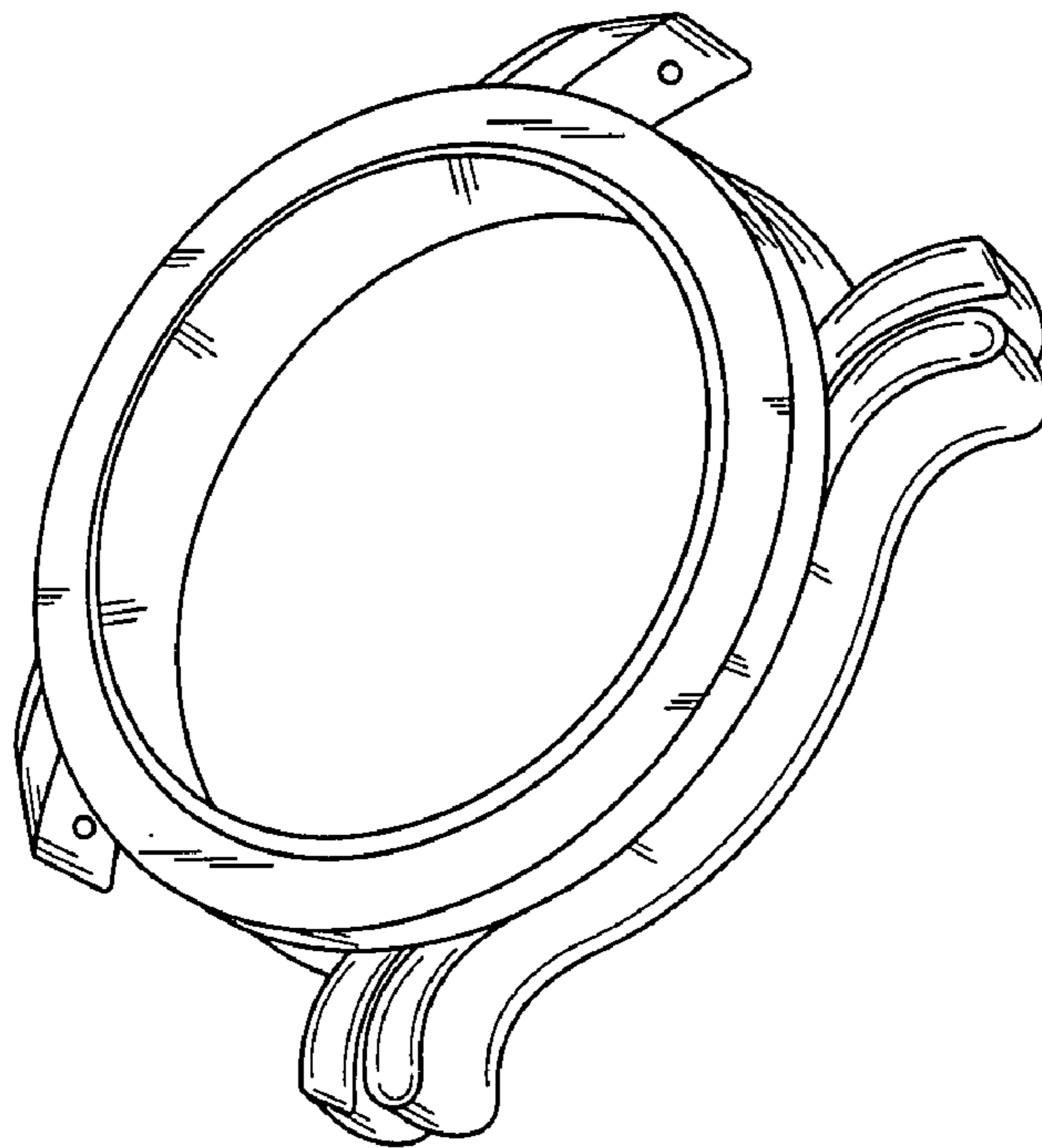


FIG. 2

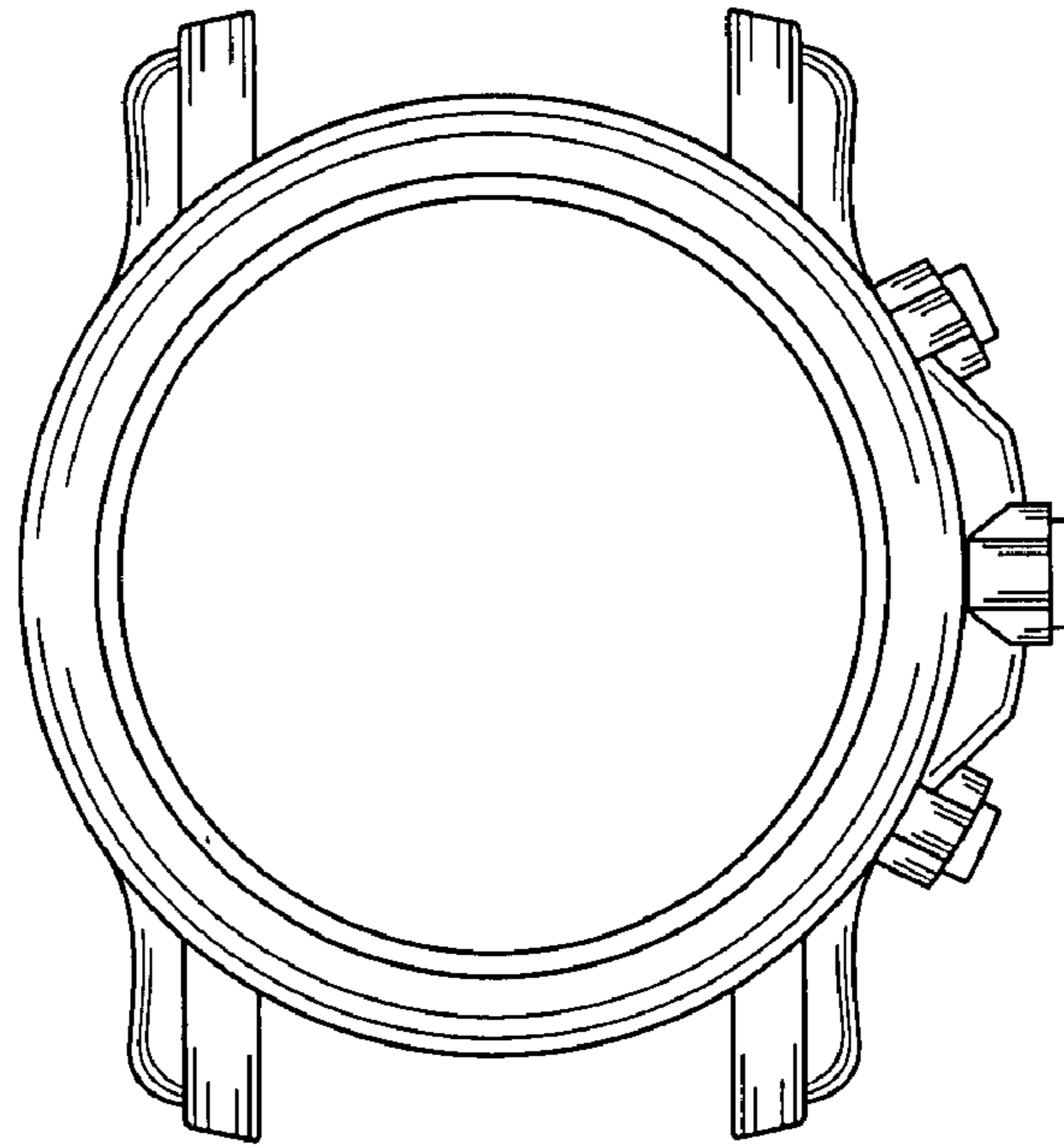


FIG. 3

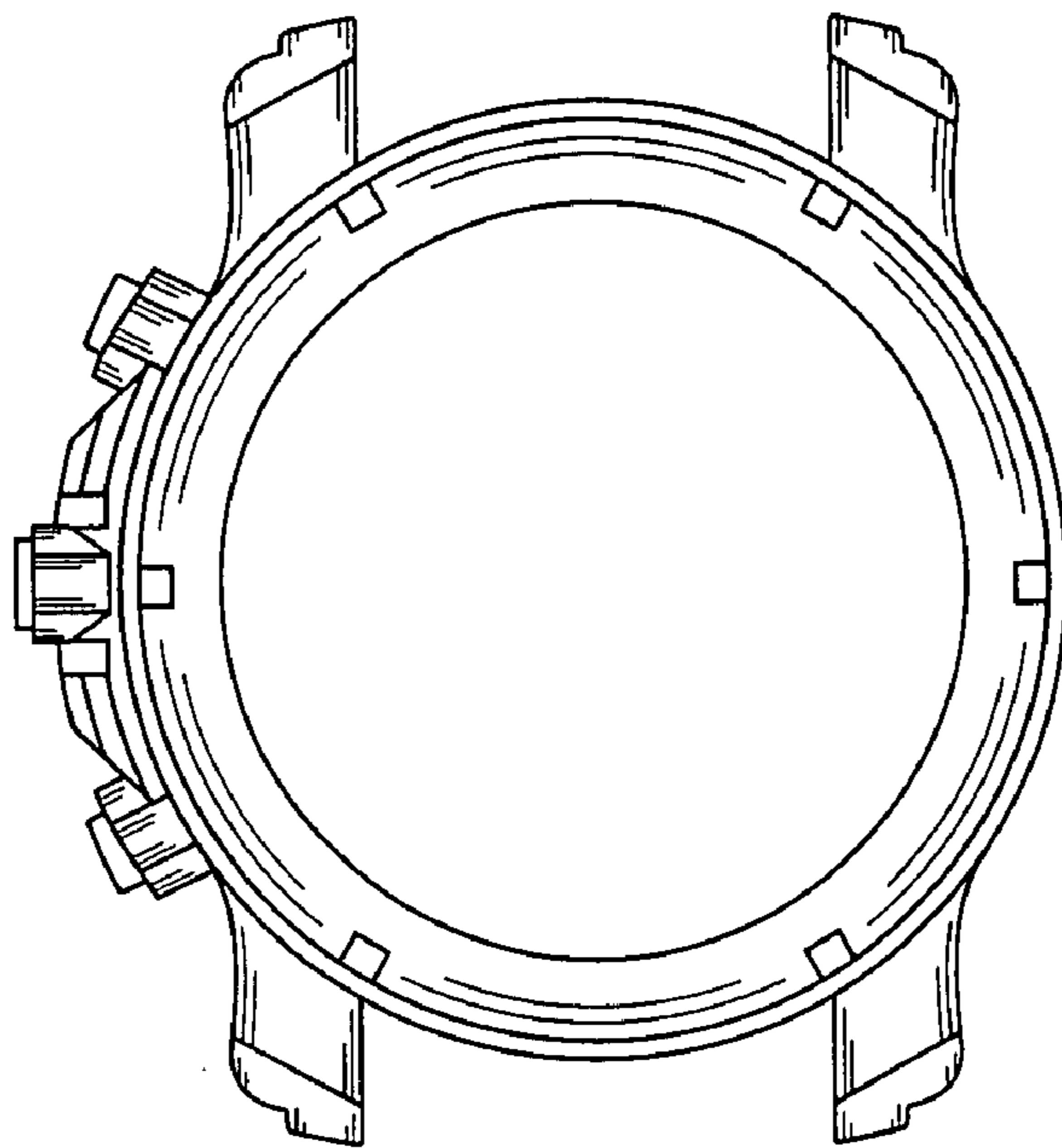


FIG. 4

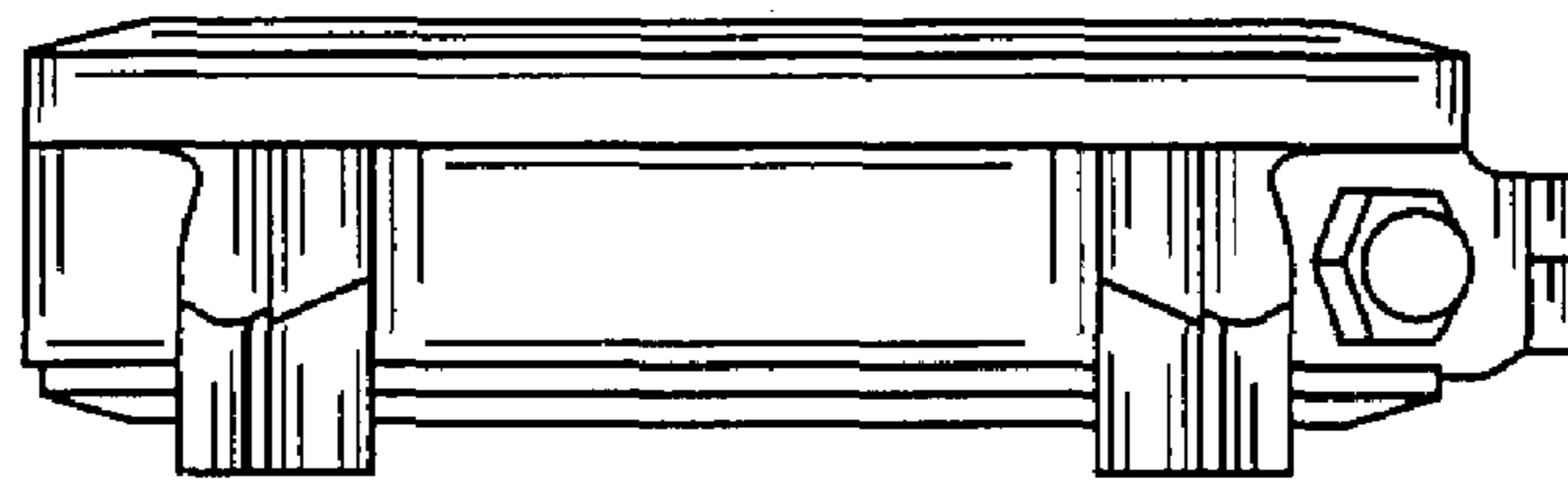


FIG. 5

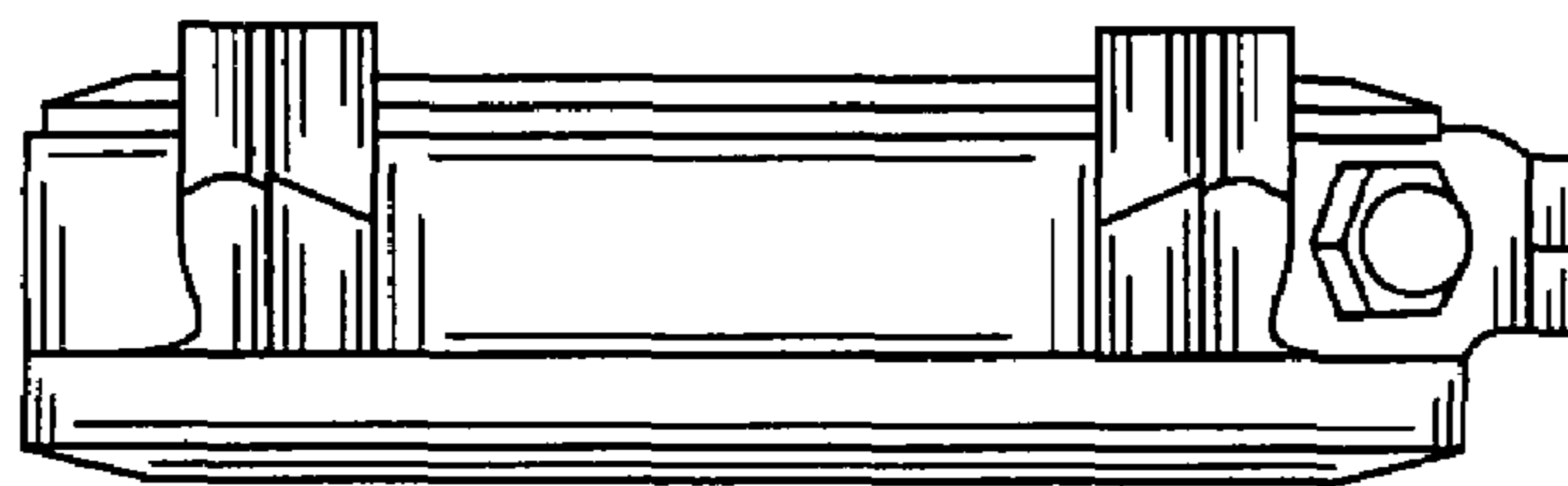


FIG. 6

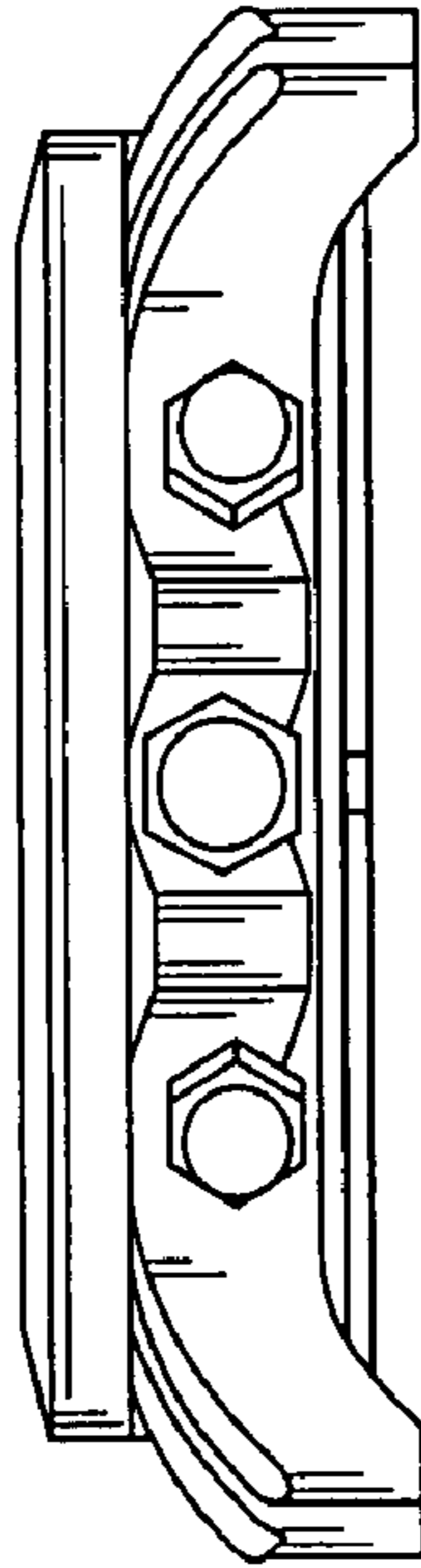


FIG. 7

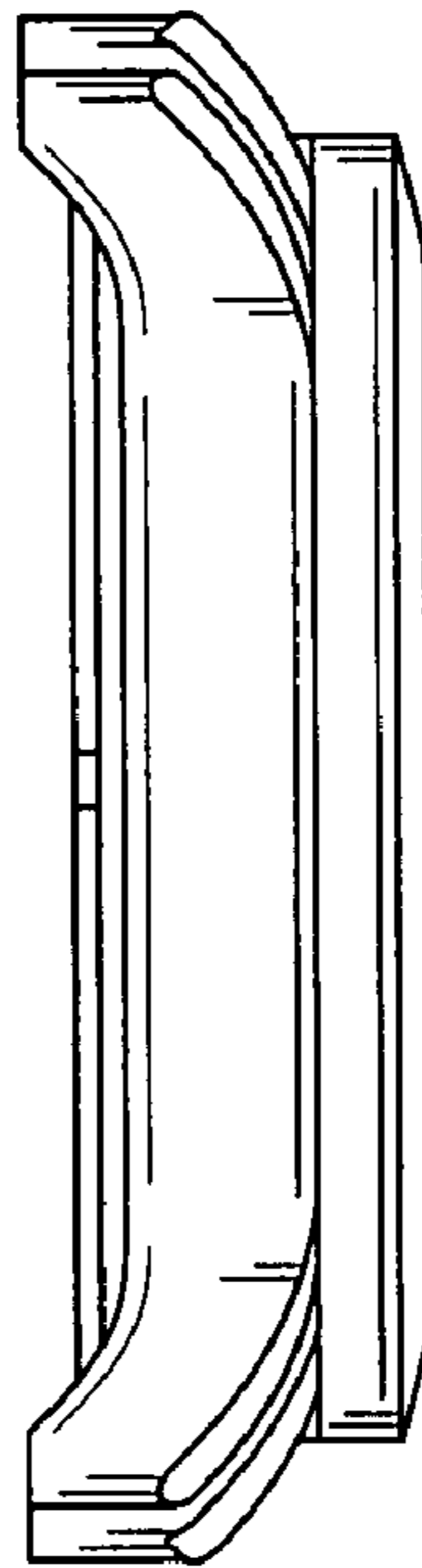


FIG. 8