



US00D552491S

(12) **United States Design Patent**
Vidal

(10) **Patent No.:** **US D552,491 S**

(45) **Date of Patent:** **** Oct. 9, 2007**

(54) **WATCH CASE**

(75) Inventor: **Frederick Vidal**, Meulan (FR)

(73) Assignee: **La Montre Hermes S.A.**, Brugg (CH)

(**) Term: **14 Years**

(21) Appl. No.: **29/249,512**

(22) Filed: **Oct. 10, 2006**

(30) **Foreign Application Priority Data**

Apr. 11, 2006 (WO) DM/067 730

(51) **LOC (8) Cl.** **10-02**

(52) **U.S. Cl.** **D10/38**

(58) **Field of Classification Search** D10/30-39;
368/276, 277, 281-283, 285

See application file for complete search history.

(56) **References Cited**

U.S. PATENT DOCUMENTS

- D59,740 S * 11/1921 Gruen D10/39
- D111,863 S * 10/1938 Stegeman D10/38
- D301,693 S * 6/1989 Canta D10/39
- D350,288 S * 9/1994 Giardiello D10/30
- D360,142 S * 7/1995 Polenberg D10/39

- D365,772 S * 1/1996 Wunderman D10/32
- D409,504 S * 5/1999 Collier D10/34
- D417,158 S * 11/1999 Krauss D10/30
- D433,949 S * 11/2000 Helleu D10/30
- D455,662 S * 4/2002 Johnston et al. D10/32
- D503,896 S * 4/2005 Vidal D10/39

* cited by examiner

Primary Examiner—Lucy Lieberman

(74) *Attorney, Agent, or Firm*—Darby & Darby

(57) **CLAIM**

The ornamental design for watch case, as shown and described.

DESCRIPTION

FIG. 1 is a front side perspective view of a watch case showing my new design;

FIG. 2 is a right side view thereof;

FIG. 3 is an end view thereof;

FIG. 4 is left side view thereof;

FIG. 5 is a front view thereof; and,

FIG. 6 is a rear view thereof.

1 Claim, 3 Drawing Sheets

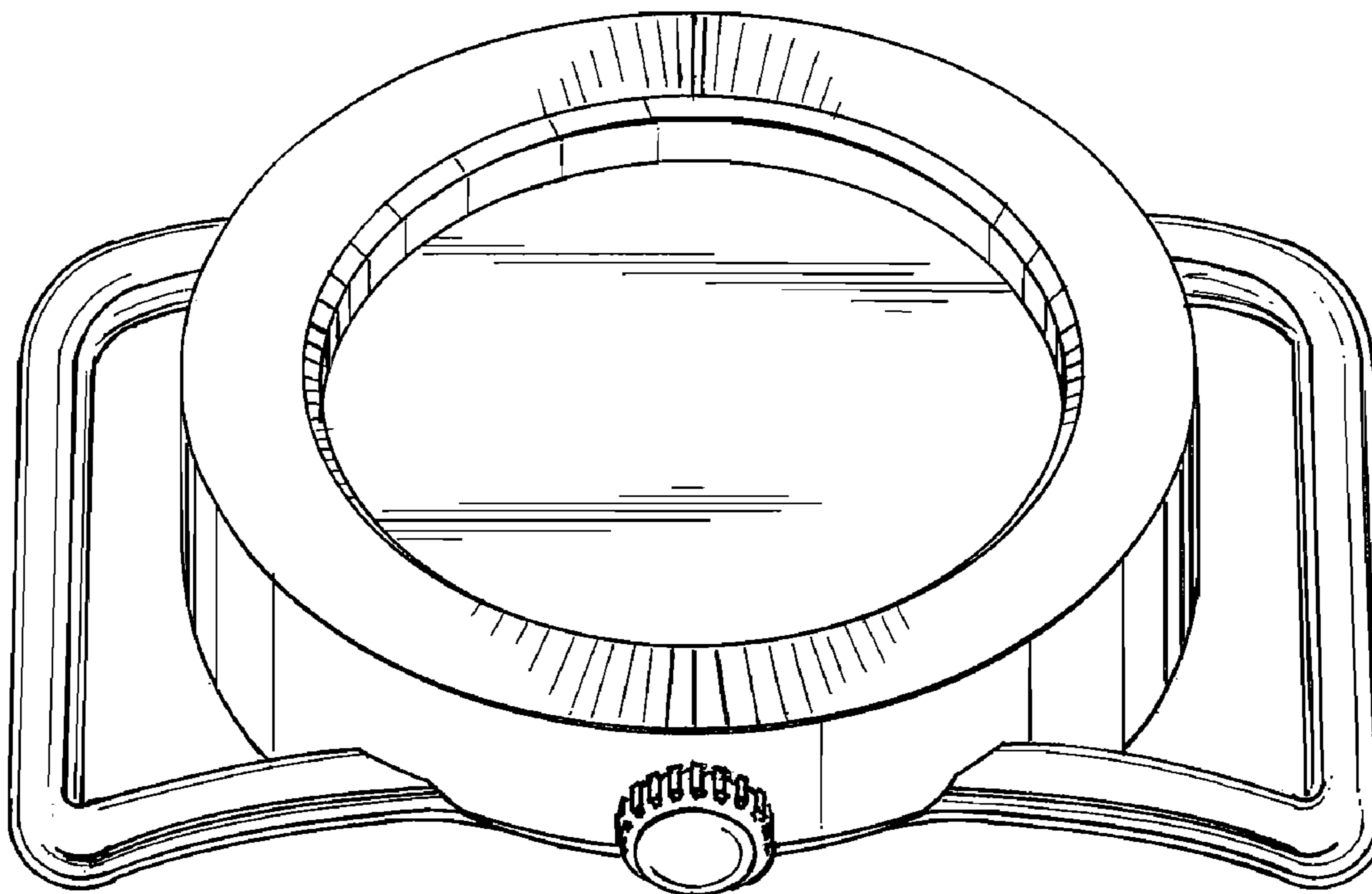


FIG. 1

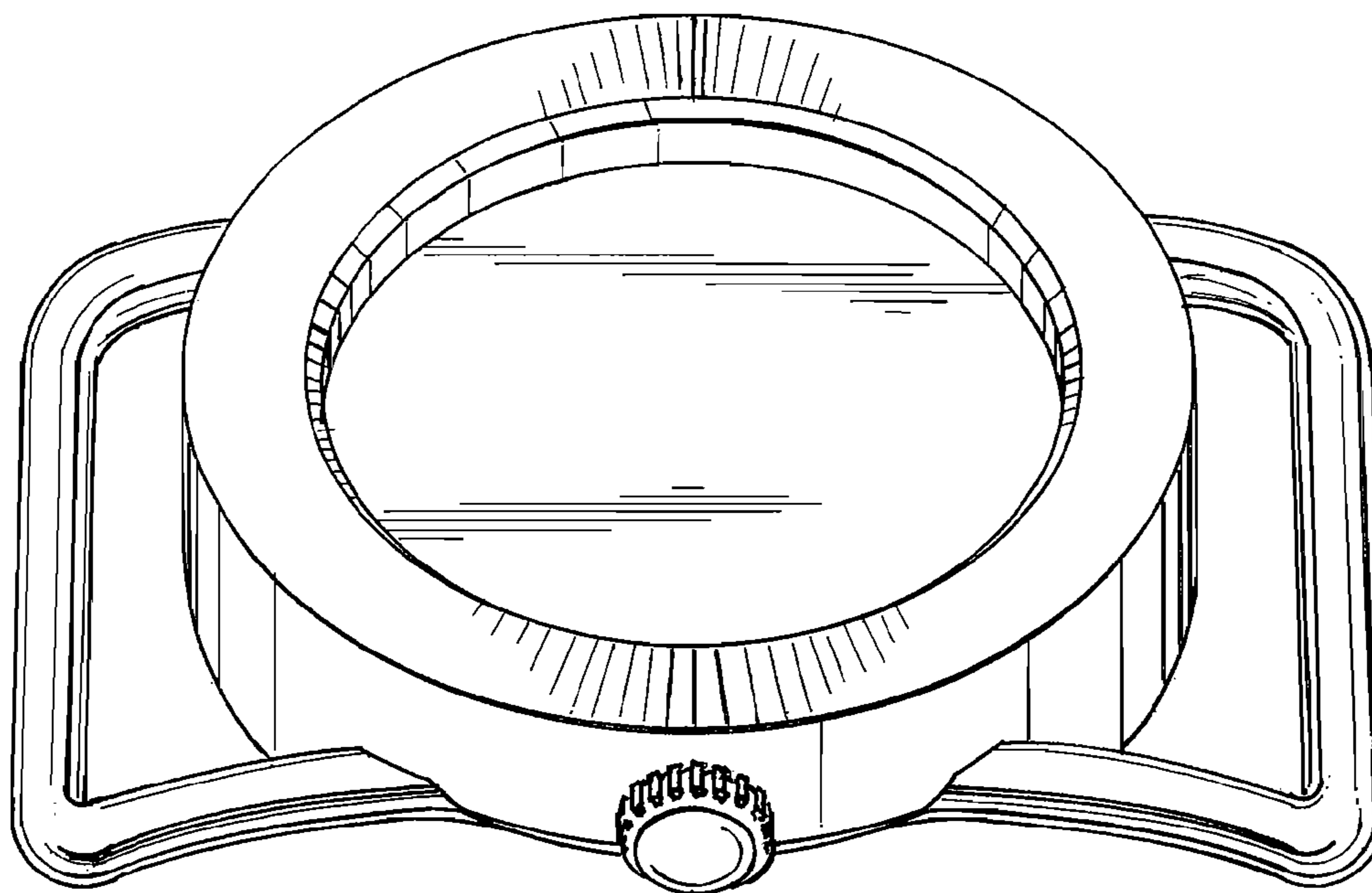


FIG. 2

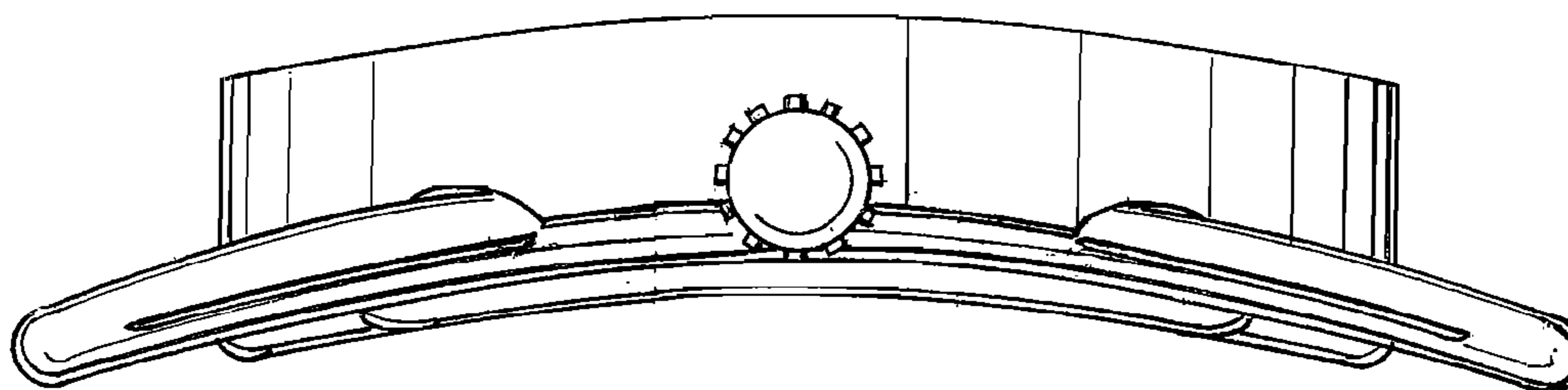


FIG. 3

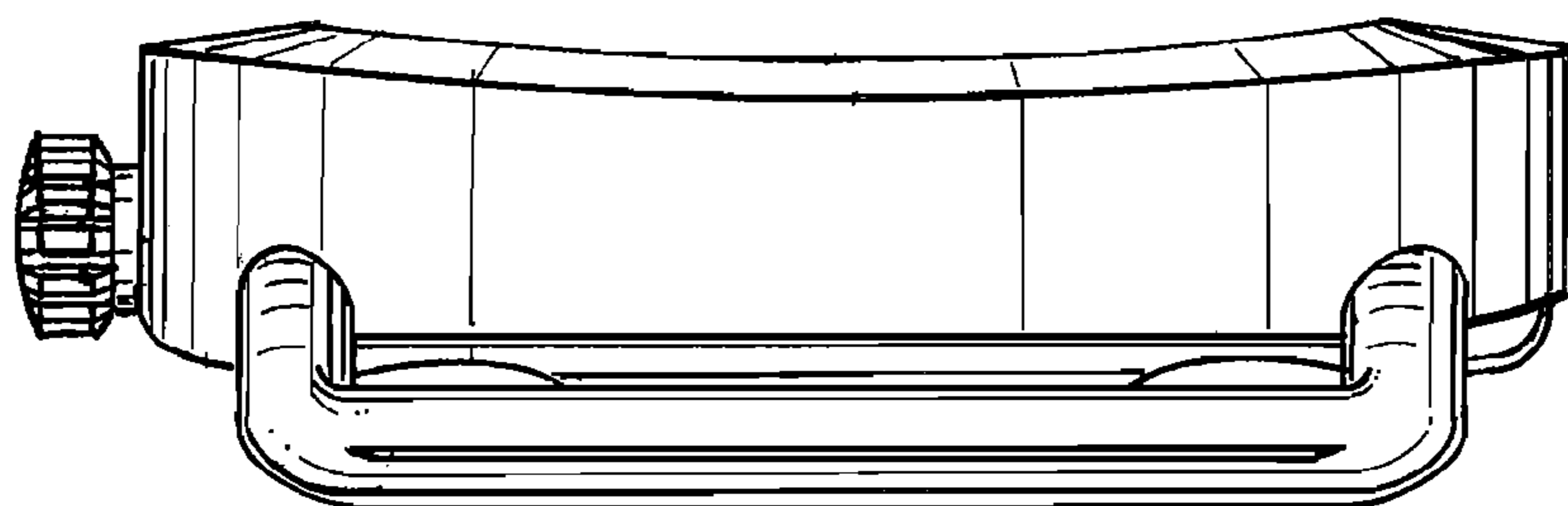


FIG. 4

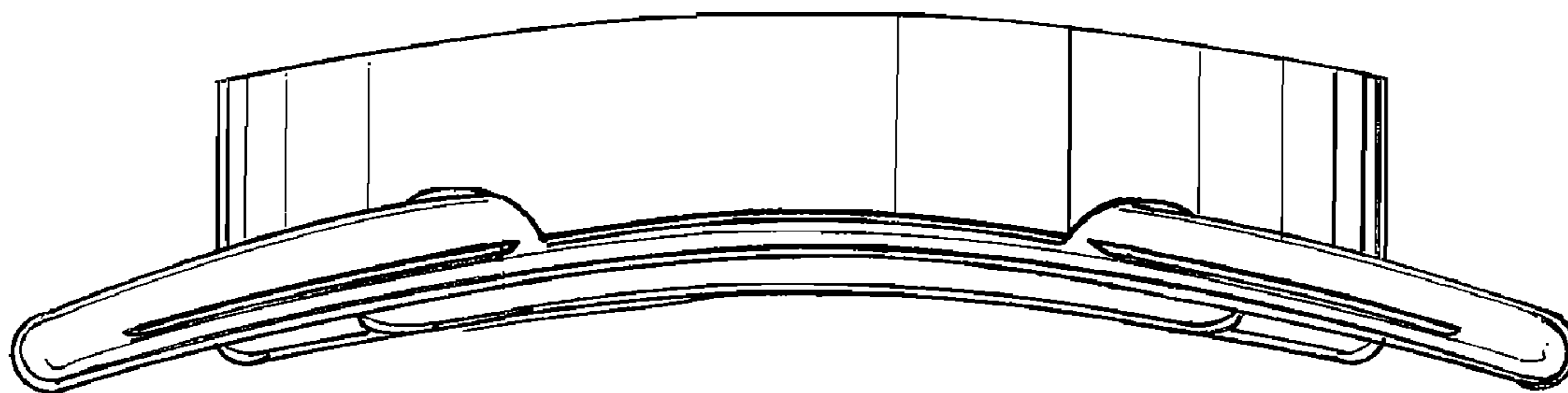


FIG. 5

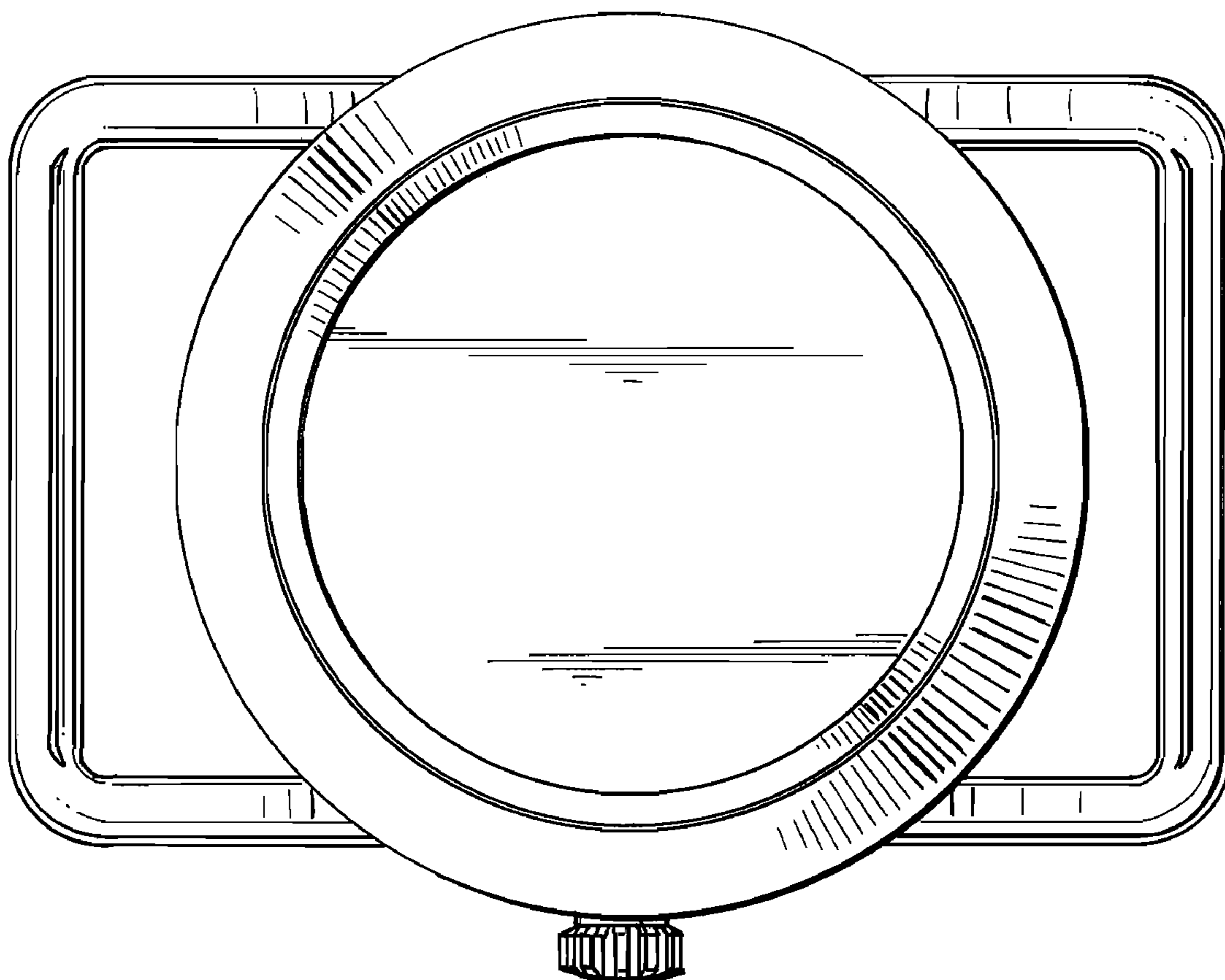


FIG. 6

