



US00D552487S

(12) **United States Design Patent**
Chou

(10) **Patent No.:** **US D552,487 S**

(45) **Date of Patent:** **** Oct. 9, 2007**

(54) **SEAL CONTAINER**

(76) **Inventor:** **Hsin-Hung Chou**, No. 2, Alley 2, Lane 250, Wen Chan Street, Taipei City (TW)

(**) **Term:** **14 Years**

(21) **Appl. No.:** **29/260,663**

(22) **Filed:** **May 31, 2006**

(51) **LOC (8) Cl.** **09-03**

(52) **U.S. Cl.** **D9/737; D9/761; D9/428**

(58) **Field of Classification Search** D9/737,
D9/761, 420, 422-426, 428, 429, 414-418;
D7/554.2, 540, 602, 614, 629, 553.1-553.8;
220/555-557, 500, 506, 528, 529, 23.83;
206/223, 541, 557, 564; 426/106, 119, 120,
426/127

See application file for complete search history.

(56) **References Cited**

U.S. PATENT DOCUMENTS

- 3,107,027 A * 10/1963 Hong 220/23.8
- D375,259 S * 11/1996 Whitehead D9/761
- D392,882 S * 3/1998 Pfirrmann et al. D9/428
- D395,985 S * 7/1998 Krupa et al. D7/629
- D415,422 S * 10/1999 McCann D9/429

- D451,018 S * 11/2001 Chen et al. D9/428
- D468,202 S * 1/2003 Chou D9/429
- D489,579 S * 5/2004 Wright D7/629
- D508,379 S * 8/2005 Doliwa D7/629

* cited by examiner

Primary Examiner—Stella Reid

Assistant Examiner—Mark Goodwin

(74) *Attorney, Agent, or Firm*—Rosenberg, Klein & Lee

(57) **CLAIM**

The ornamental design for a seal container, as shown and described.

DESCRIPTION

FIG. 1 is a left perspective view of a seal container showing my new design;

FIG. 2 is a front view thereof;

FIG. 3 is a rear view thereof;

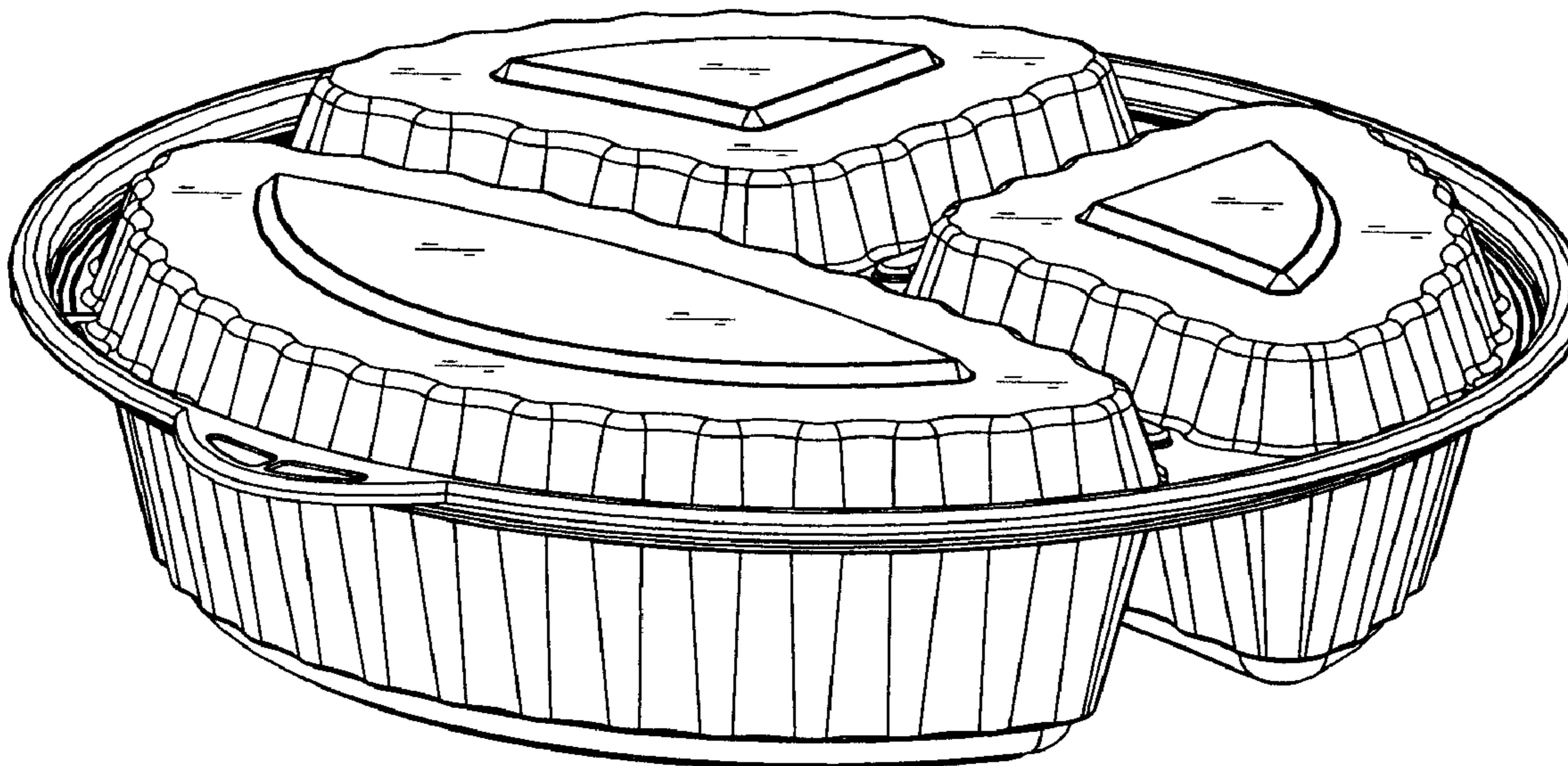
FIG. 4 is a left side elevational view thereof;

FIG. 5 is a right side elevational view thereof;

FIG. 6 is a top plan view thereof; and,

FIG. 7 is a bottom plan view thereof.

1 Claim, 5 Drawing Sheets



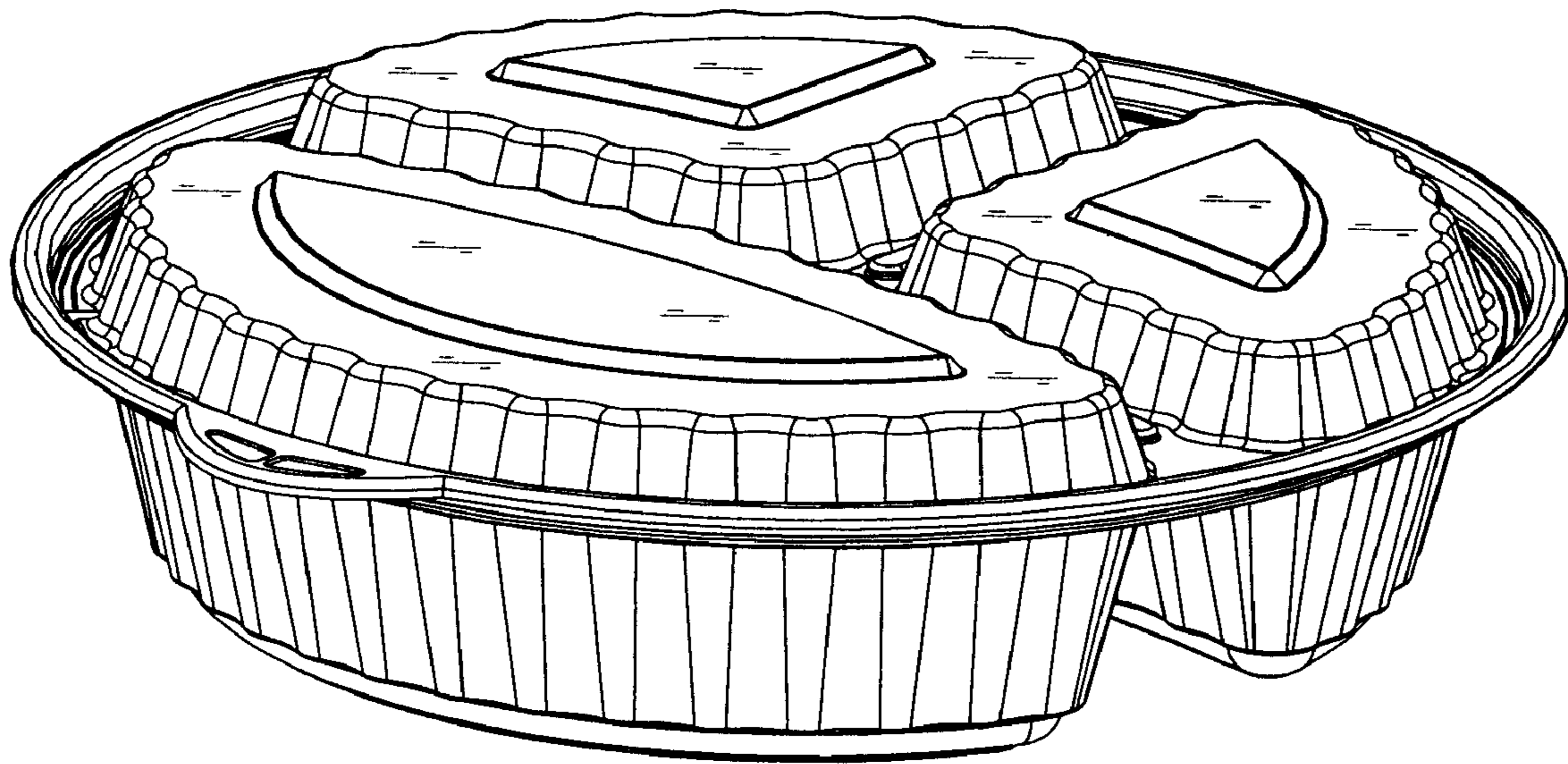


FIG.1

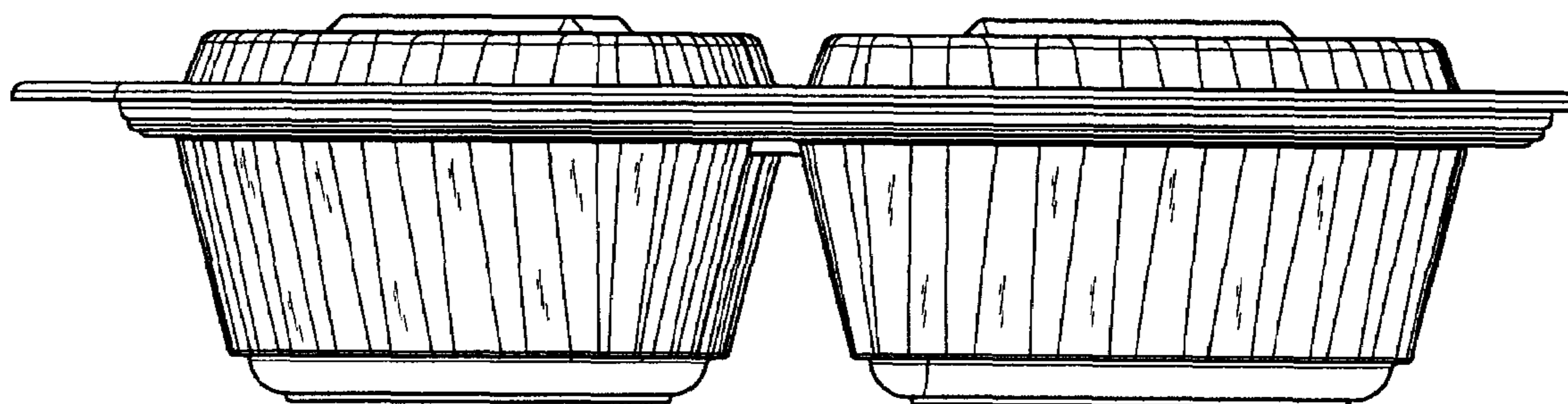


FIG. 2

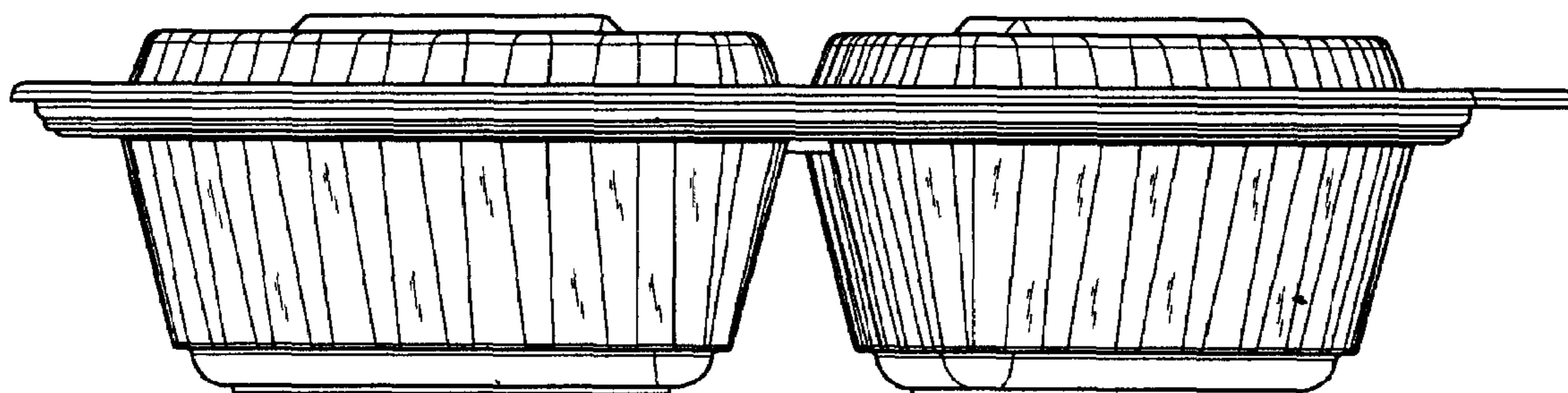


FIG. 3

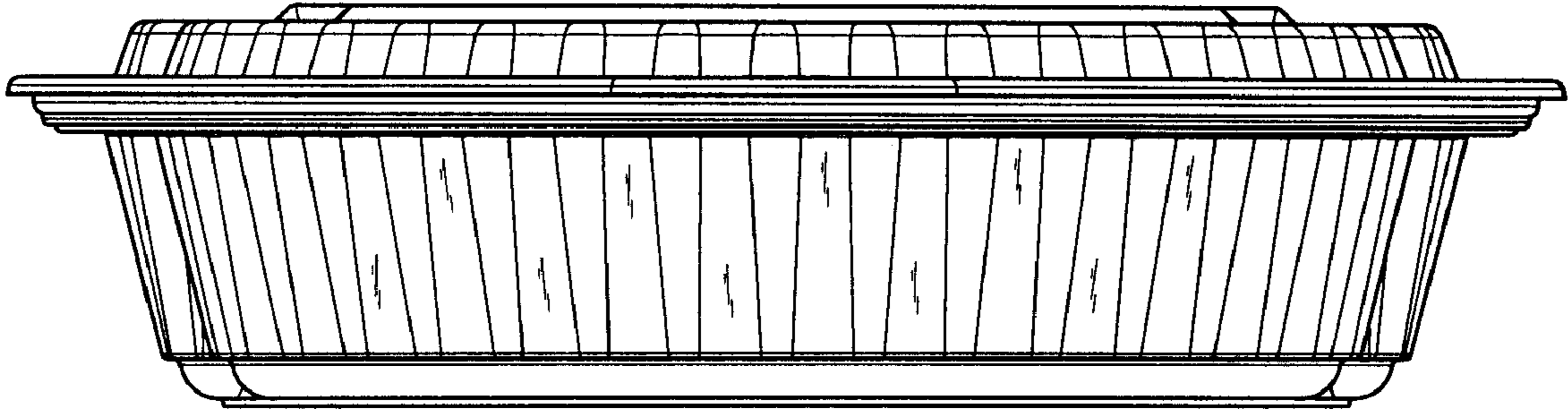


FIG. 4

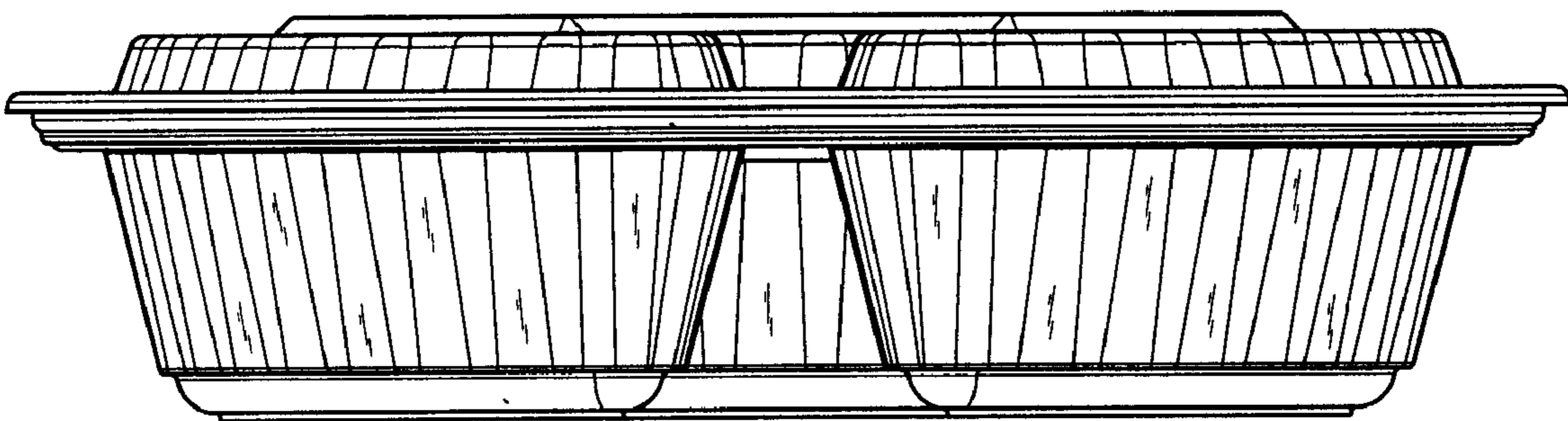


FIG. 5

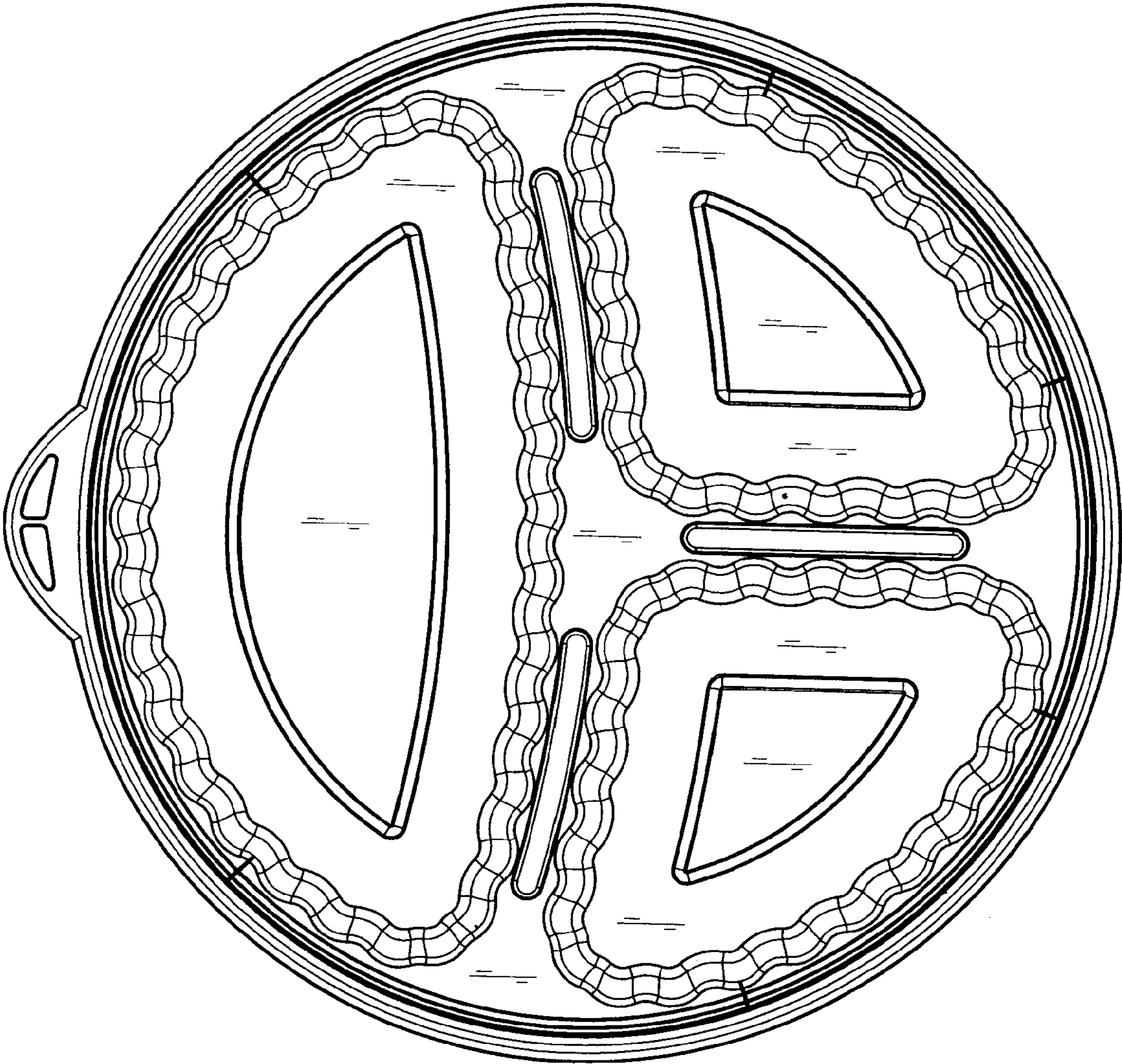


FIG.6

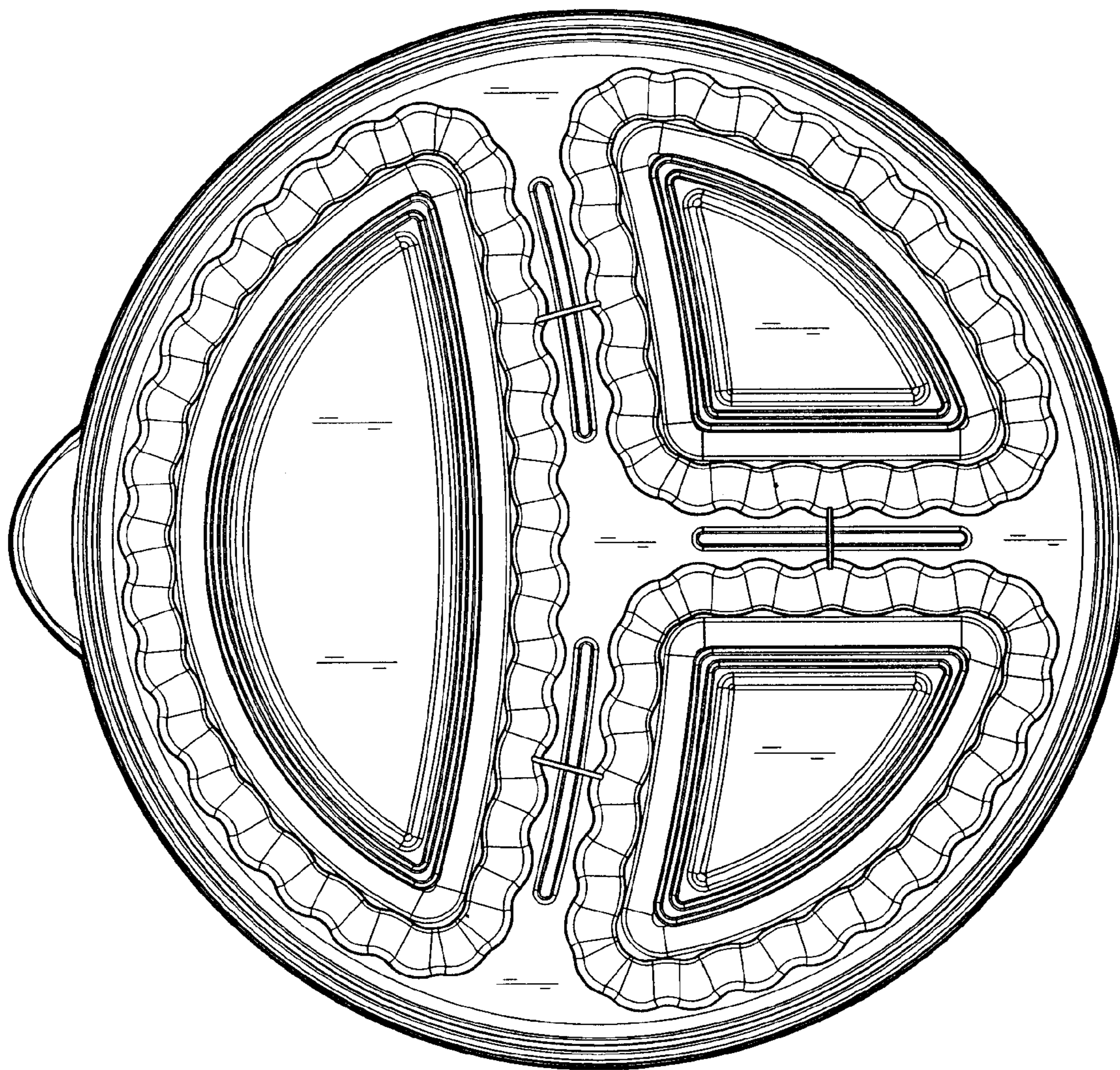


FIG.7