



US00D552477S

(12) **United States Design Patent**
Hermel

(10) **Patent No.:** **US D552,477 S**

(45) **Date of Patent:** **** Oct. 9, 2007**

(54) **BOTTLE**

(75) Inventor: **Wilfried Hermel**, Le Havre Cedex (FR)

(73) Assignee: **Sidel**, Octeville sur Mer (FR)

(**) Term: **14 Years**

(21) Appl. No.: **29/253,509**

(22) Filed: **Feb. 8, 2006**

(30) **Foreign Application Priority Data**

Oct. 7, 2005 (EM) 000412192

(51) **LOC (8) Cl.** **09-01**

(52) **U.S. Cl.** **D9/538; D9/516; D9/520;**
D9/552; D9/537; D9/549

(58) **Field of Classification Search** D9/516,
D9/520, 552, 537, 540, 549, 541, 542, 543,
D9/551, 553, 556, 557, 558, 554, 564, 565,
D9/566, 567, 569, 571, 538; 215/381, 382,
215/383, 384, 385, 396, 398

See application file for complete search history.

(56) **References Cited**

U.S. PATENT DOCUMENTS

D370,178 S *	5/1996	Petre et al.	D9/520
D401,860 S *	12/1998	Mentasti Granelli	D9/538
D409,493 S *	5/1999	Waggaman et al.	D9/520
D417,156 S *	11/1999	Veyssiere	D9/552
D423,940 S *	5/2000	Chimetto	D9/541
D424,948 S *	5/2000	Ullmo	D9/540
D432,422 S *	10/2000	Del Bianco	D9/502
D434,664 S *	12/2000	Bretz et al.	D9/520
D447,061 S *	8/2001	Peek	D9/549
D461,417 S *	8/2002	Jerome	D9/537
D463,292 S *	9/2002	Del Bianco	D9/560
D466,023 S *	11/2002	Eickmeier	D9/552
D480,650 S *	10/2003	Moore et al.	D9/540
D481,317 S *	10/2003	Corker et al.	D9/502

D482,976 S *	12/2003	Melrose	D9/537
D487,564 S *	3/2004	Beck et al.	D9/520
D493,370 S *	7/2004	Kamineni et al.	D9/552
D504,069 S *	4/2005	Gross et al.	D9/538
D506,923 S *	7/2005	Zboch et al.	D9/538
D506,931 S *	7/2005	Delmotte	D9/538
D508,854 S *	8/2005	Livingston	D9/516
D510,027 S *	9/2005	Zboch et al.	D9/516
D517,864 S *	3/2006	Yu	D7/510
D521,868 S *	5/2006	Arima	D9/502
D522,874 S *	6/2006	Livingston et al.	D9/552

* cited by examiner

Primary Examiner—Stella Reid

Assistant Examiner—Elizabeth J. Oswecki

(74) *Attorney, Agent, or Firm*—Marshall, Gerstein & Borun
LLP

(57) **CLAIM**

The ornamental design for a bottle, as shown and described.

DESCRIPTION

FIG. 1 is a perspective view of a bottle that has the design.

FIG. 2 is a side view of the bottle.

FIG. 3 is a side view of the bottle rotated 90 degrees from
the view of FIG. 2.

FIG. 4 is a side view of the bottle rotated 180 degrees from
the view of FIG. 2.

FIG. 5 is a side view of the bottle rotated 270 degrees from
the view of FIG. 2.

FIG. 6 is a top view of the bottle; and,

FIG. 7 is a bottom view of the bottle.

The broken line showing of FIG. 7 is for the purpose of
illustrating portions of the bottle and forms no part of the
claimed design.

1 Claim, 6 Drawing Sheets

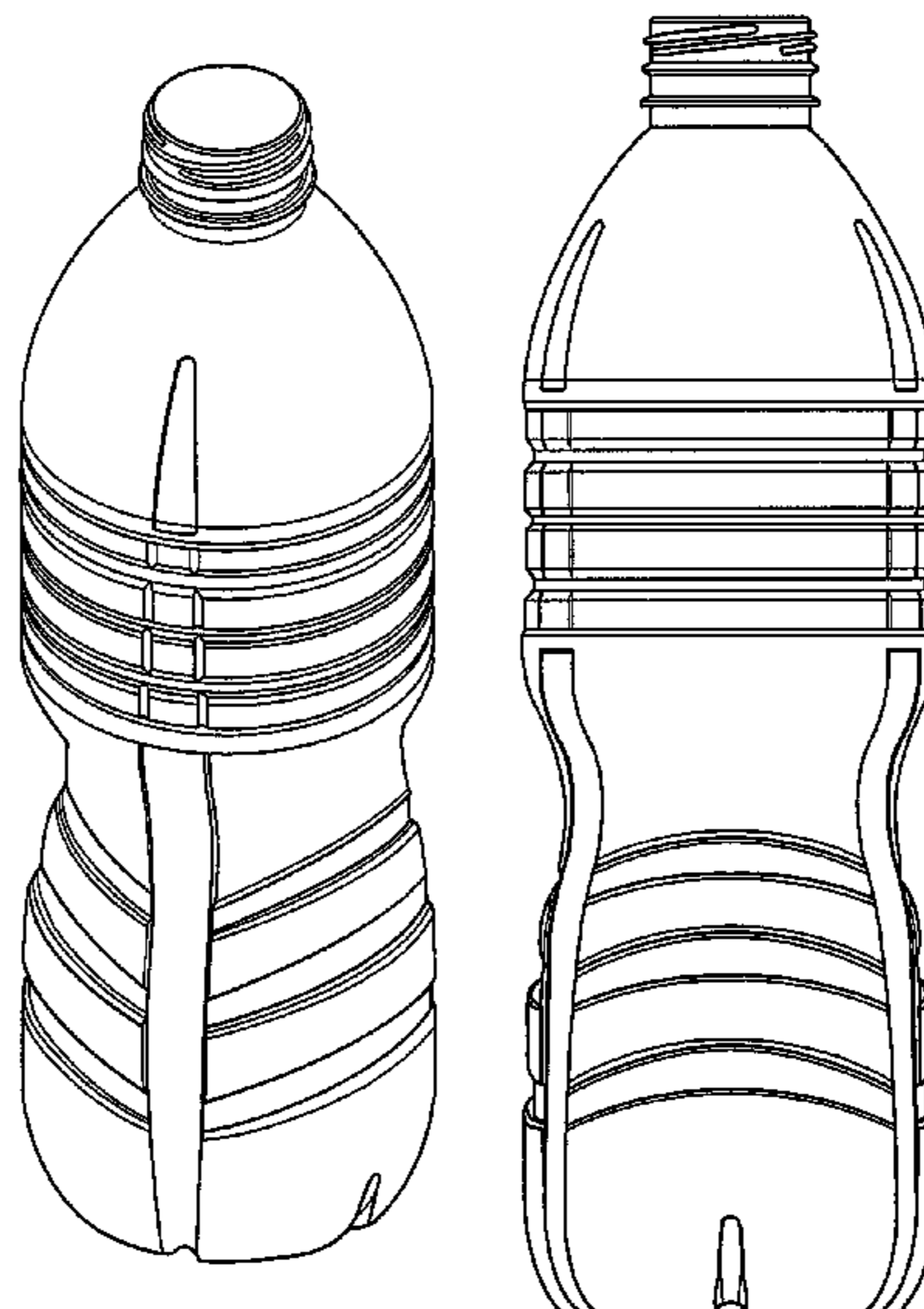


FIG. 1

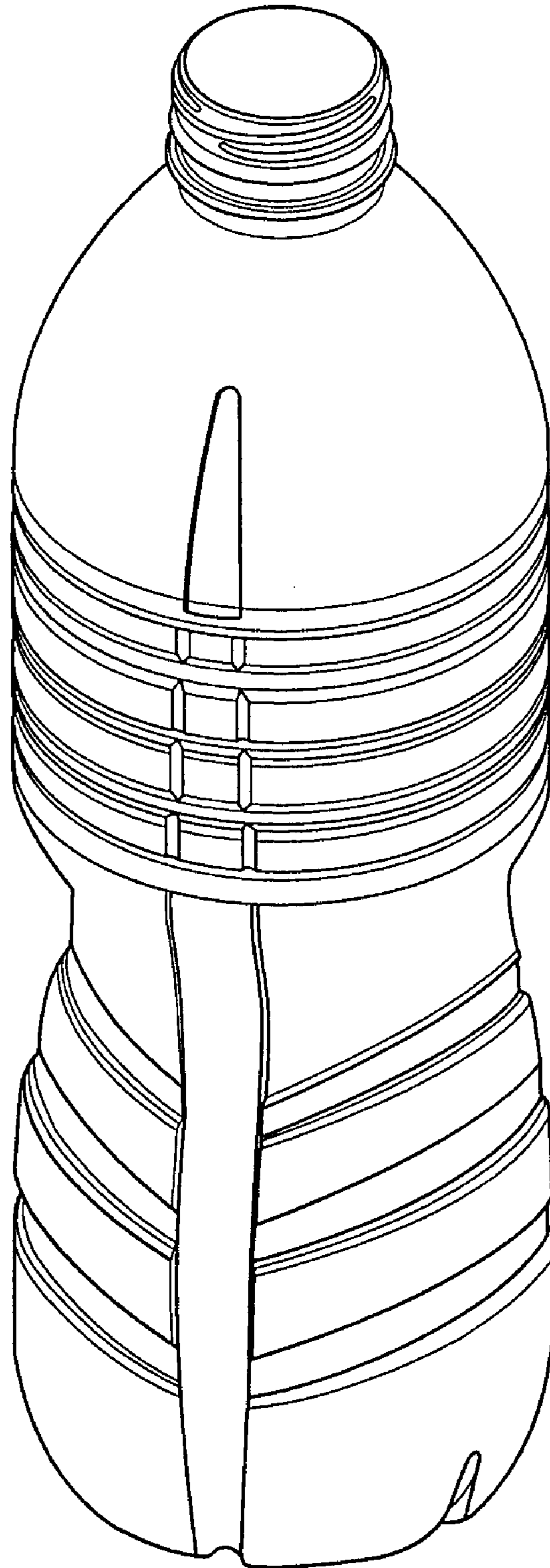


FIG. 2

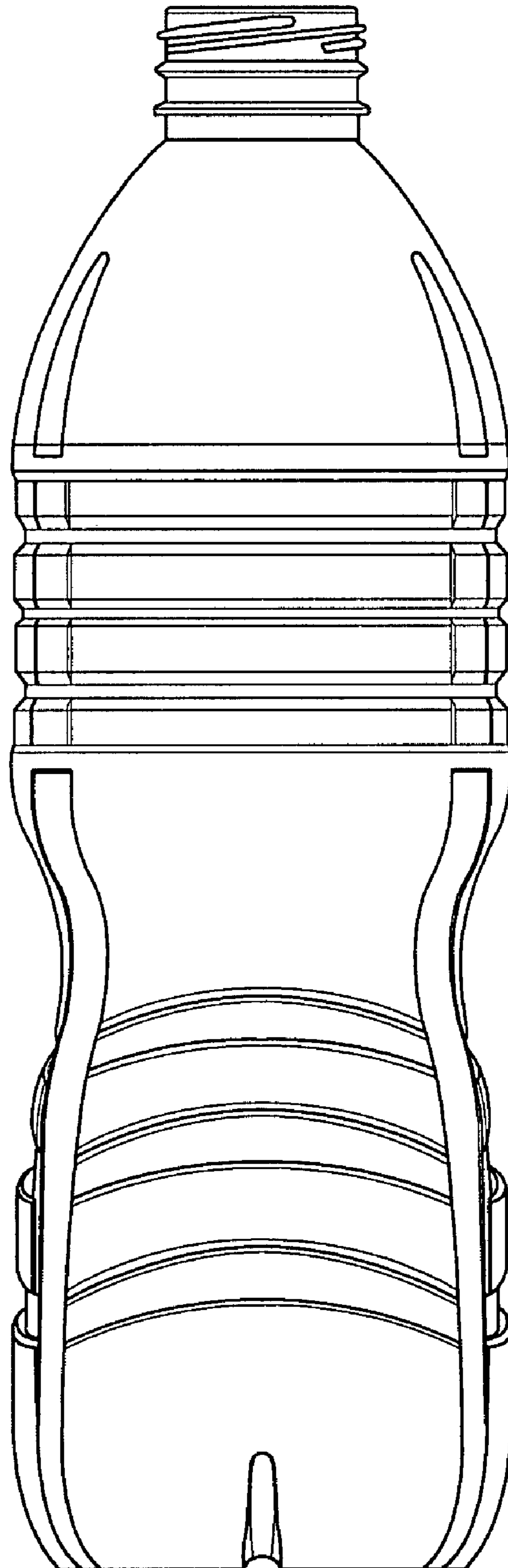


FIG. 3

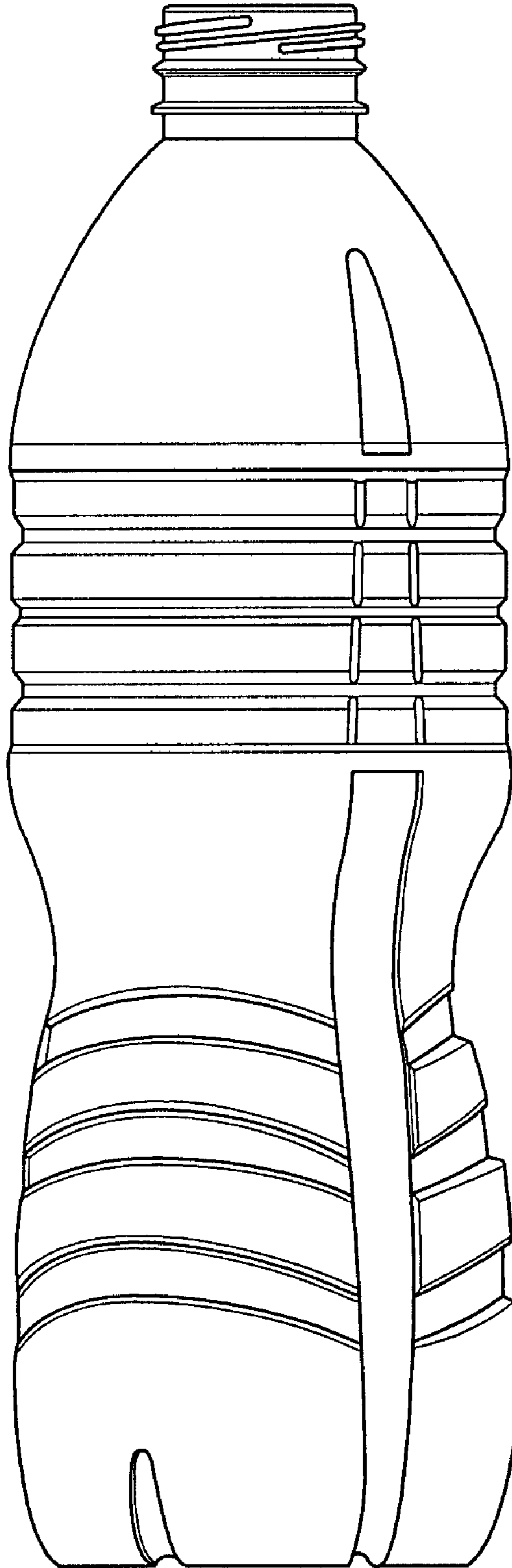


FIG. 4

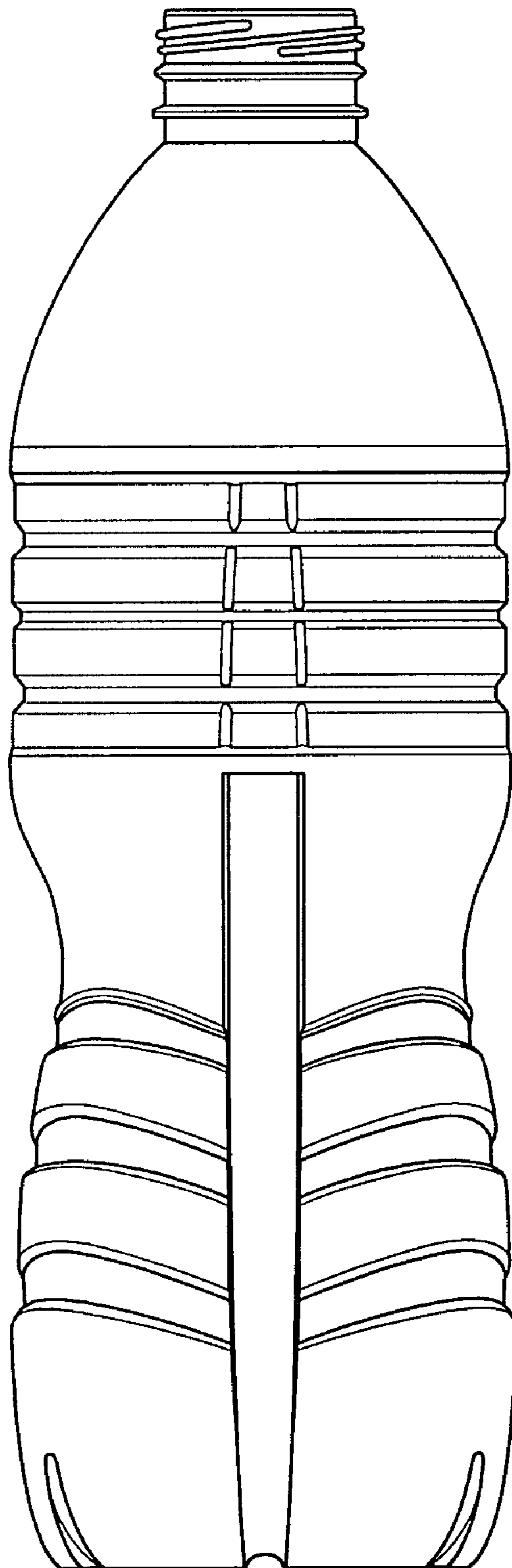


FIG. 5

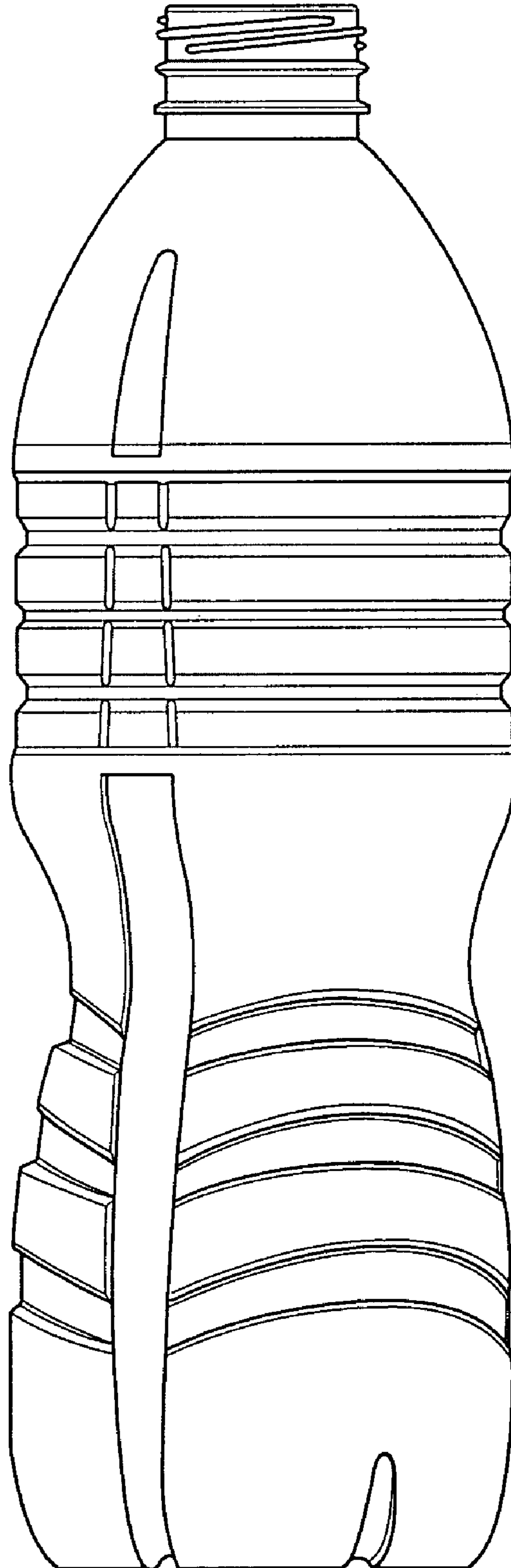


FIG. 6

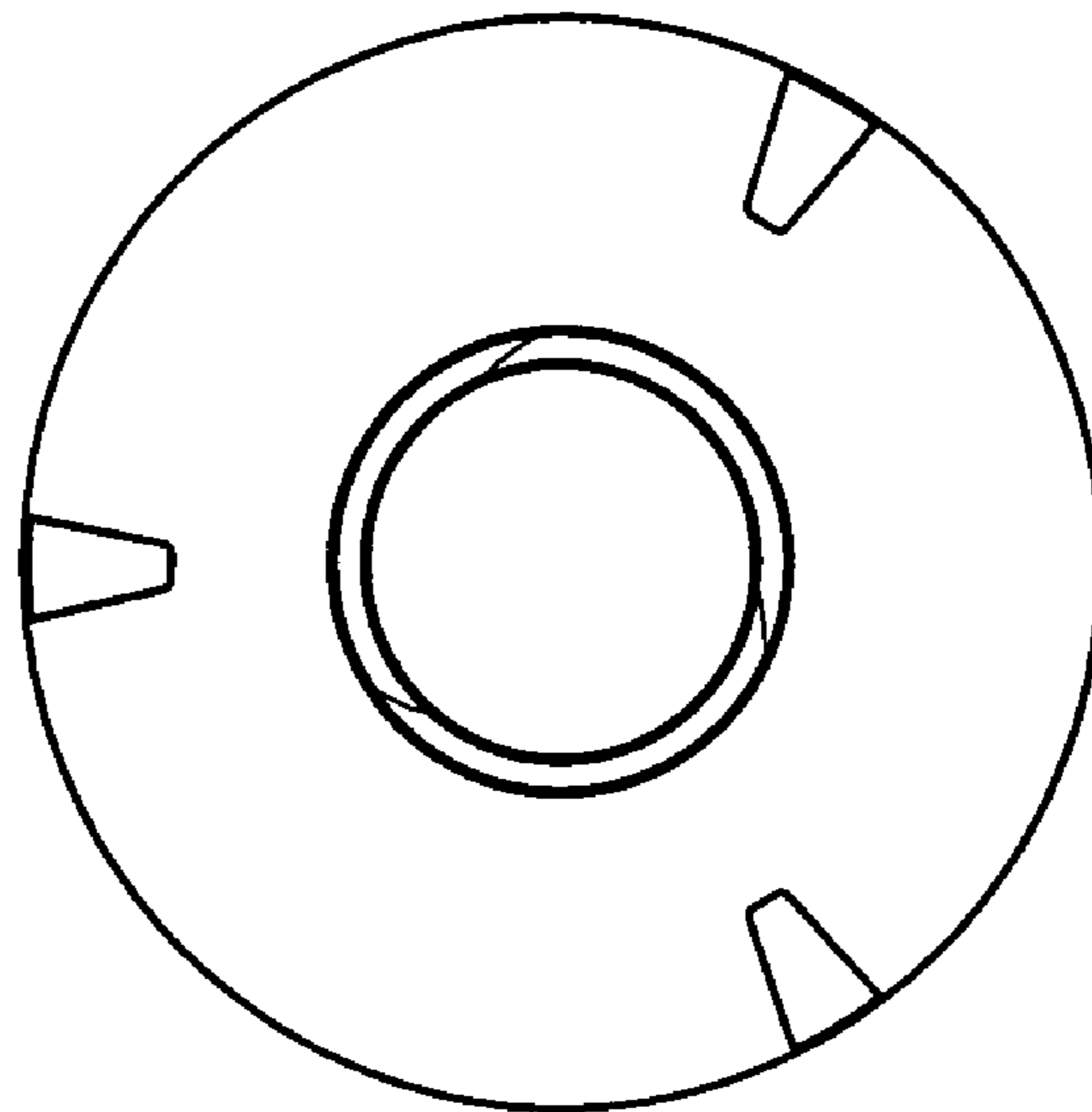


FIG. 7

