

US00D552476S

(12) **United States Design Patent**
Yelland

(10) **Patent No.:** **US D552,476 S**

(45) **Date of Patent:** **** Oct. 9, 2007**

(54) **TWIST BOTTLE**

(75) Inventor: **William Yelland**, Brampton (CA)

(73) Assignee: **Sun Coast Merchandise Corporation**,
Commerce, CA (US)

(**) Term: **14 Years**

(21) Appl. No.: **29/246,712**

(22) Filed: **May 4, 2006**

(51) **LOC (8) Cl.** **09-01**

(52) **U.S. Cl.** **D9/538; D9/552**

(58) **Field of Classification Search** D9/600,
D9/640, 649, 667-668, 670, 681-682, 688-693,
D9/772-776, 779-780, 516, 537-540, 545-547,
D9/549, 551-554, 556-558, 564-557, 569;
D7/509-510, 598; 215/382-384, 396, 398

See application file for complete search history.

(56) **References Cited**

U.S. PATENT DOCUMENTS

1,232,485	A *	7/1917	Bloom	215/382
D183,294	S *	7/1958	Guedes	D9/552
D187,345	S *	3/1960	Fuerst	D9/552
D286,617	S *	11/1986	Goodwin et al.	D9/538
D291,656	S *	9/1987	Bussell	D9/690
D319,183	S *	8/1991	Halm	D9/552
D389,068	S *	1/1998	Hooker	D9/552
D403,244	S *	12/1998	Van Dyk et al.	D9/552
D426,163	S *	6/2000	Safadi et al.	D9/538
D450,590	S *	11/2001	Van Dyk et al.	D9/552 X
D479,131	S *	9/2003	Warner et al.	D9/538
D512,874	S *	12/2005	Poulson et al.	D7/510

7,048,137	B2 *	5/2006	Leoncavallo et al.	220/288
D527,265	S *	8/2006	Brandt et al.	D9/516
D528,921	S *	9/2006	Leoncavallo et al.	D9/553 X
2007/0068894	A1 *	3/2007	Iwashita et al.	215/382
2007/0125743	A1 *	6/2007	Pritchett et al.	215/382 X

OTHER PUBLICATIONS

U.S. Appl. No. 11/538,047, William Yelland.

U.S. Appl. No. 29/246,711, William Yelland.

* cited by examiner

Primary Examiner—Carol Rademaker

(74) *Attorney, Agent, or Firm*—The Soni Law Firm

(57) **CLAIM**

The ornamental design for a twist bottle, as shown and described.

DESCRIPTION

FIG. 1 is a top, front, and right side perspective view of a twist bottle according to the present invention;

FIG. 2 is a front elevational view thereof;

FIG. 3 is a right side elevational view thereof;

FIG. 4 is a back elevational view thereof;

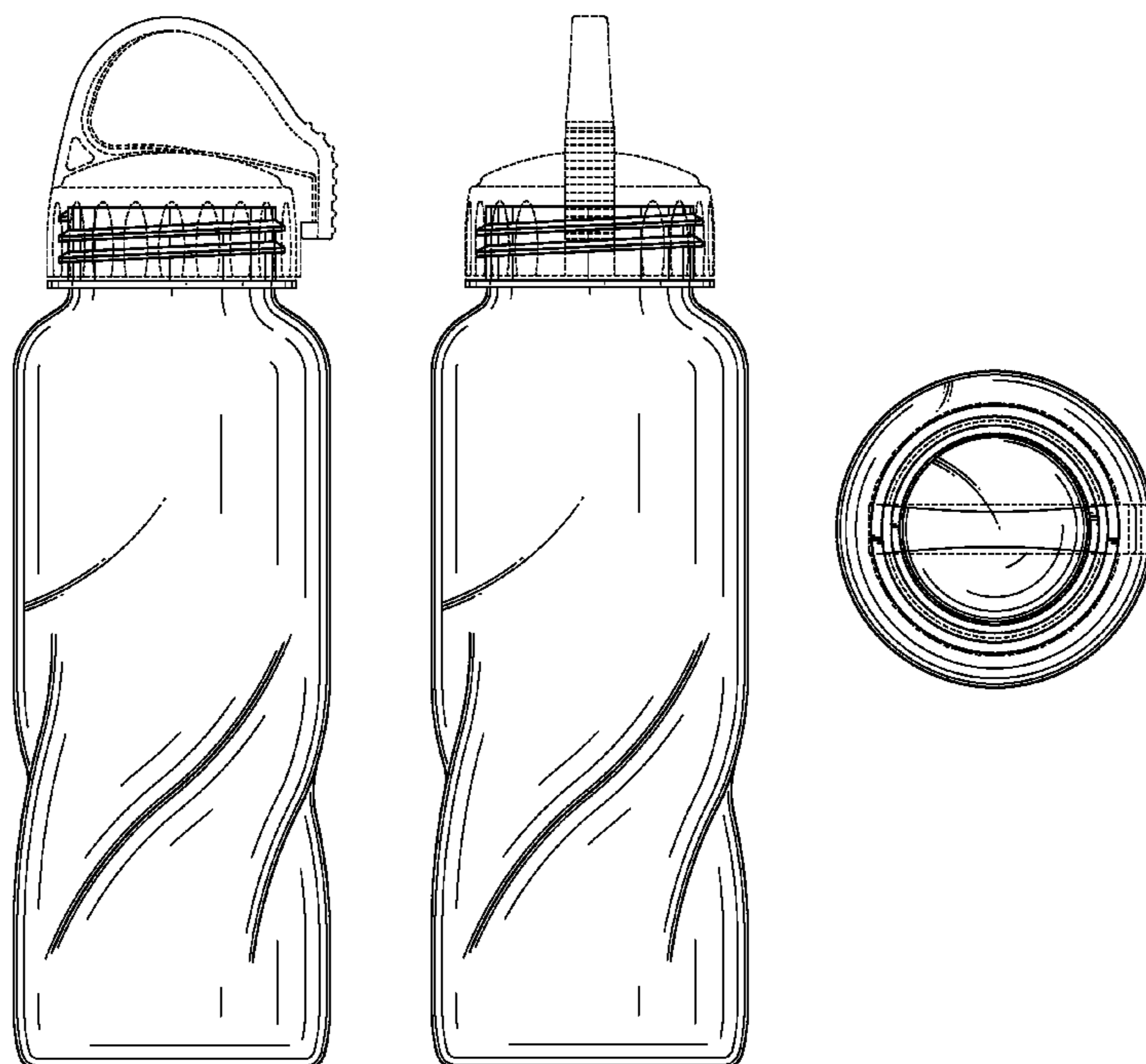
FIG. 5 is a left side elevational view thereof;

FIG. 6 is a top plan view thereof; and,

FIG. 7 is a bottom plan view thereof.

The broken lines shown in the drawings are for environmental purposes only and form no part of the claimed design.

1 Claim, 4 Drawing Sheets



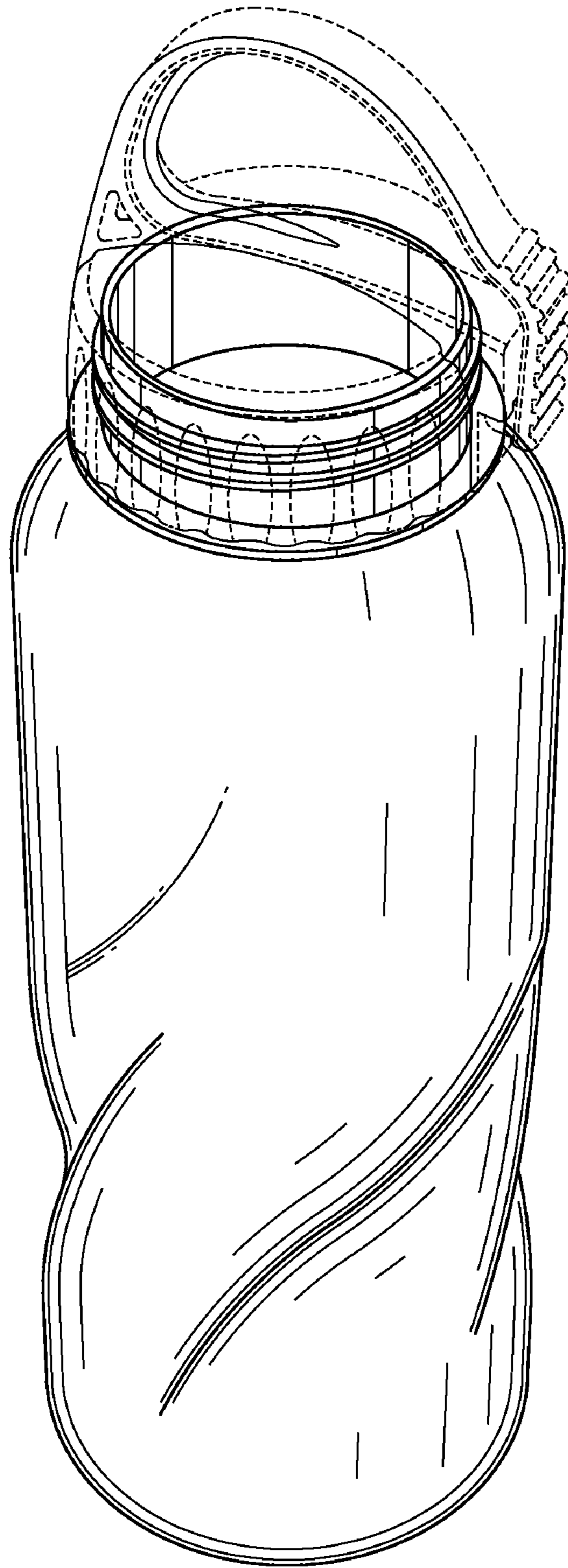


FIG. 1

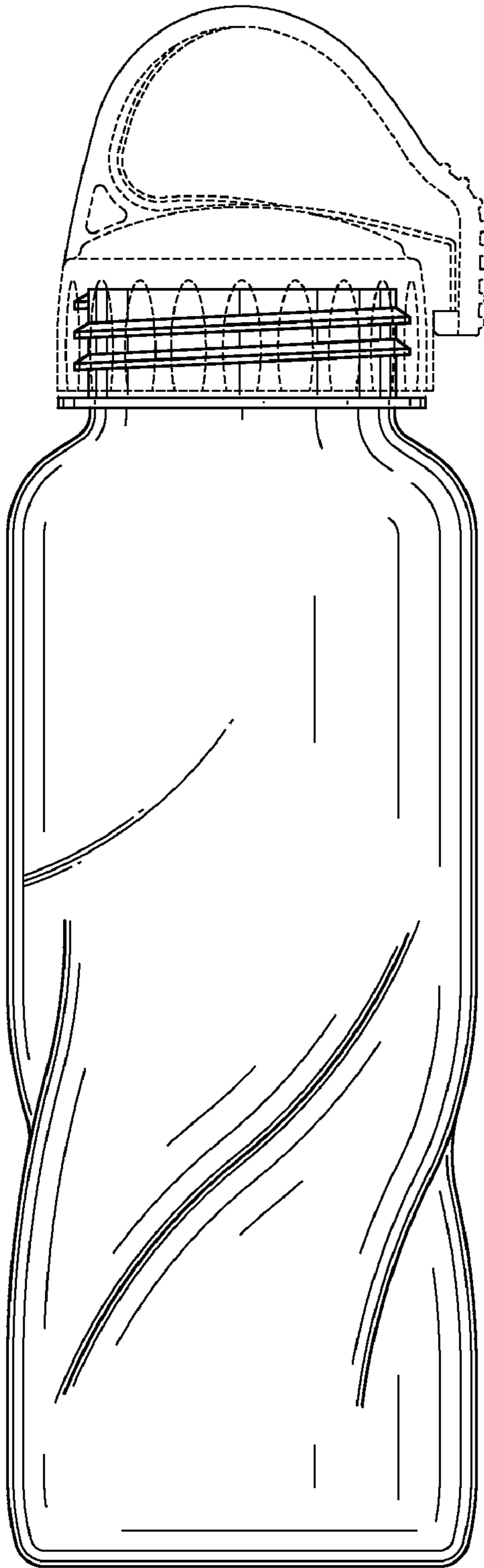


FIG. 2

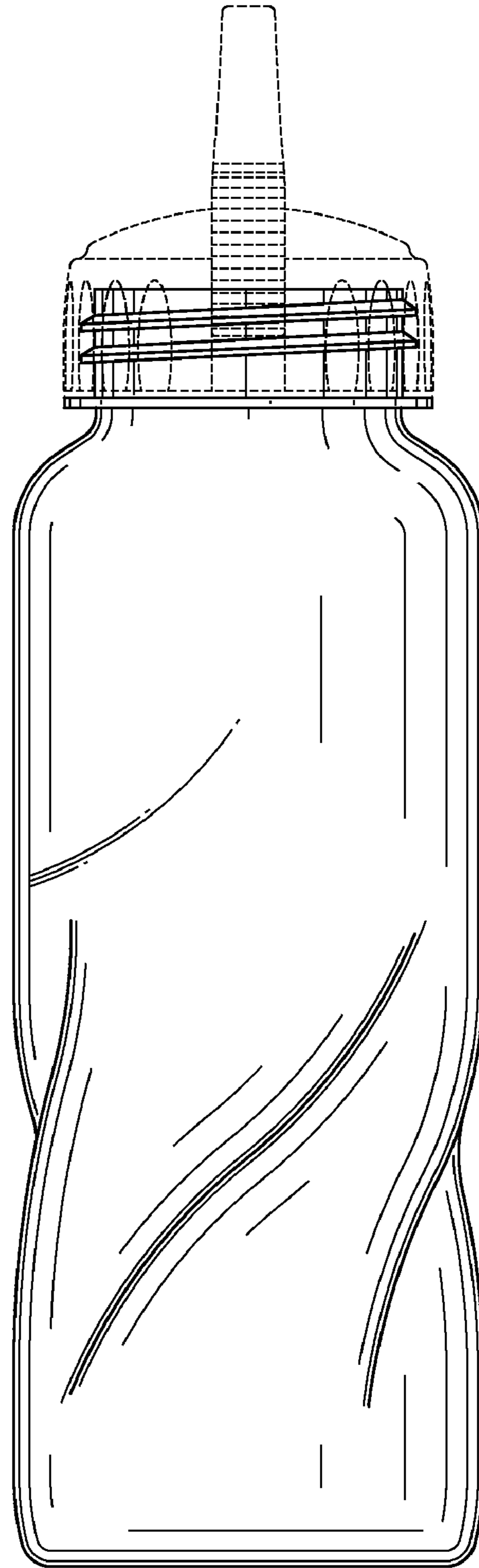


FIG. 3

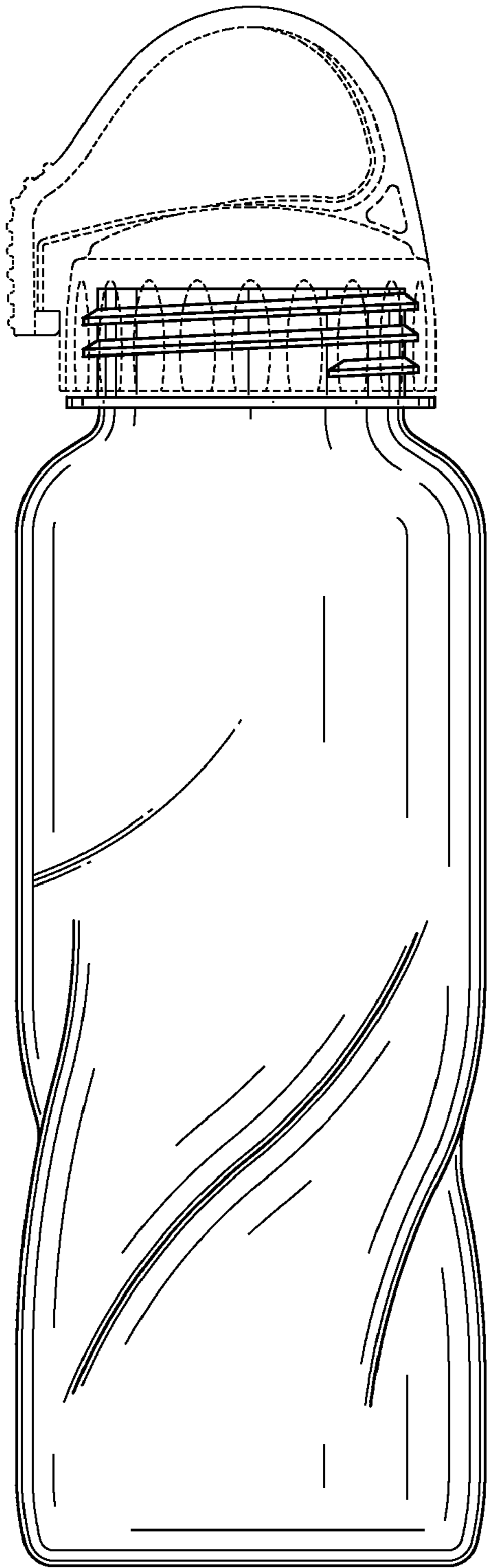


FIG. 4

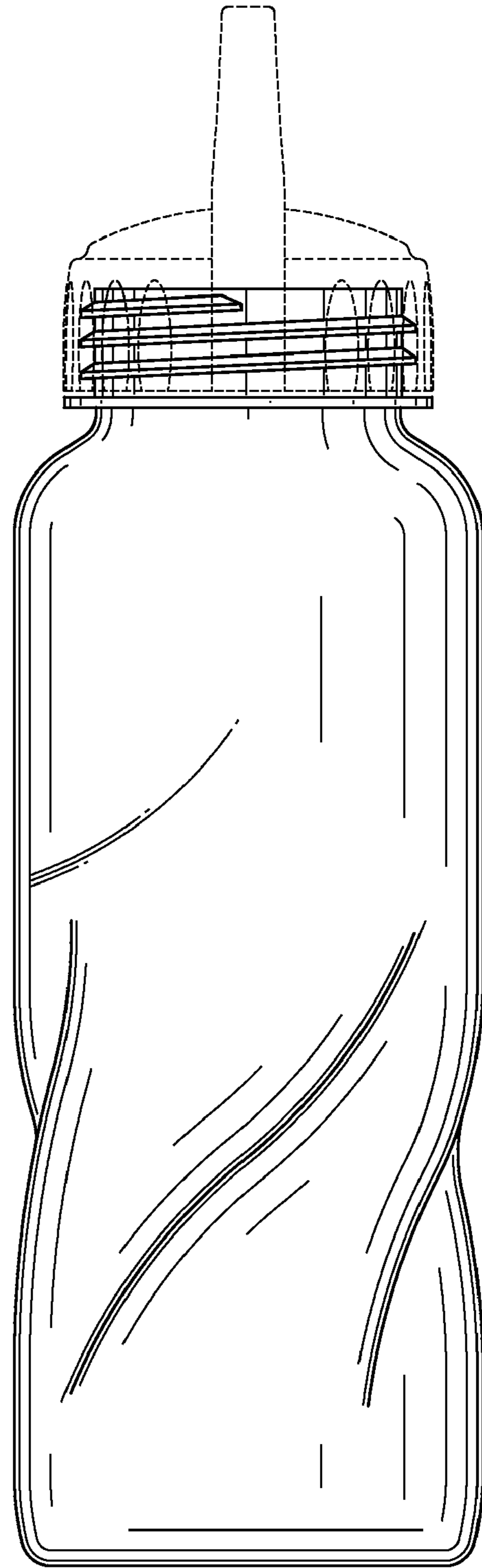


FIG. 5

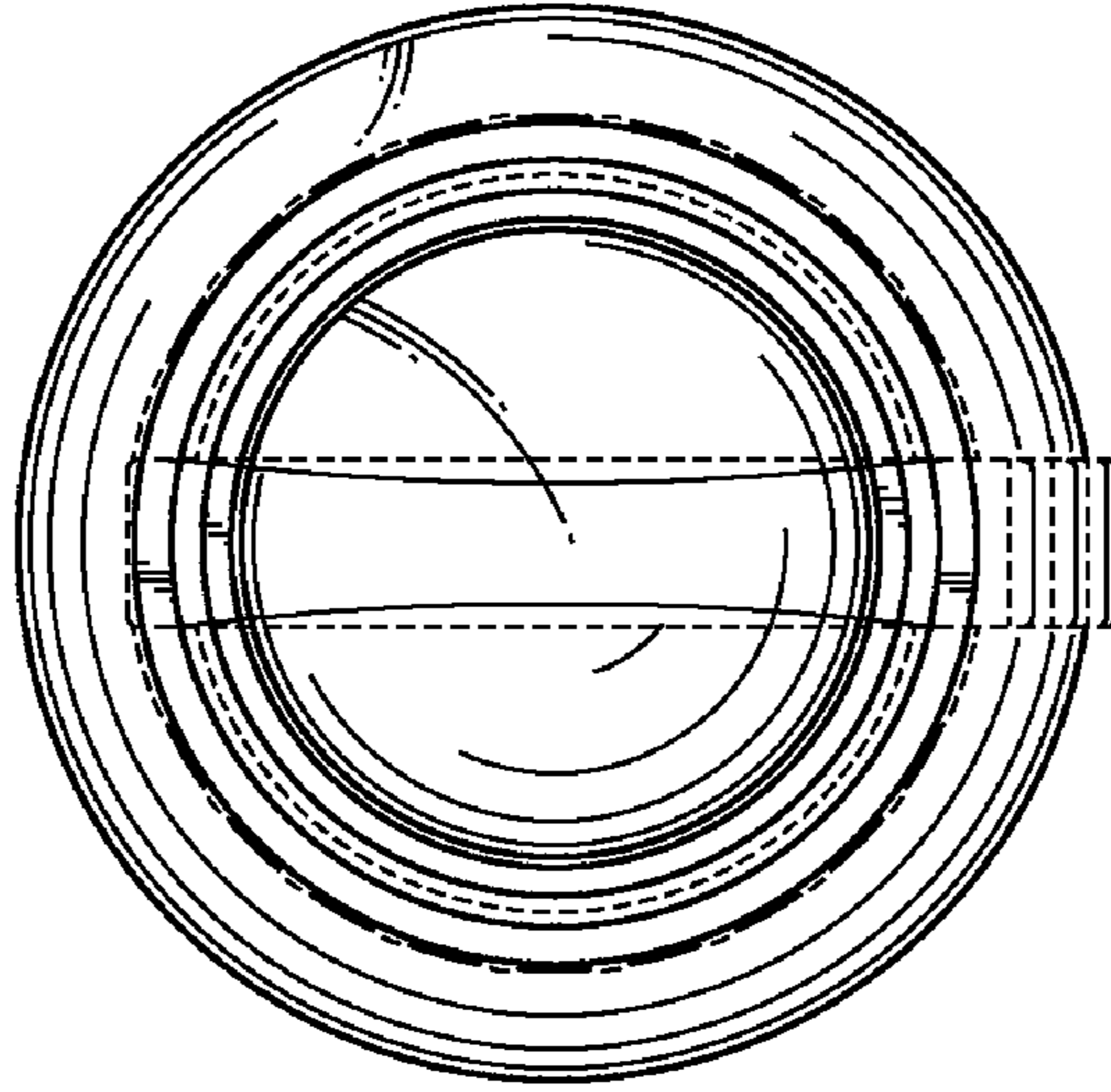


FIG. 6

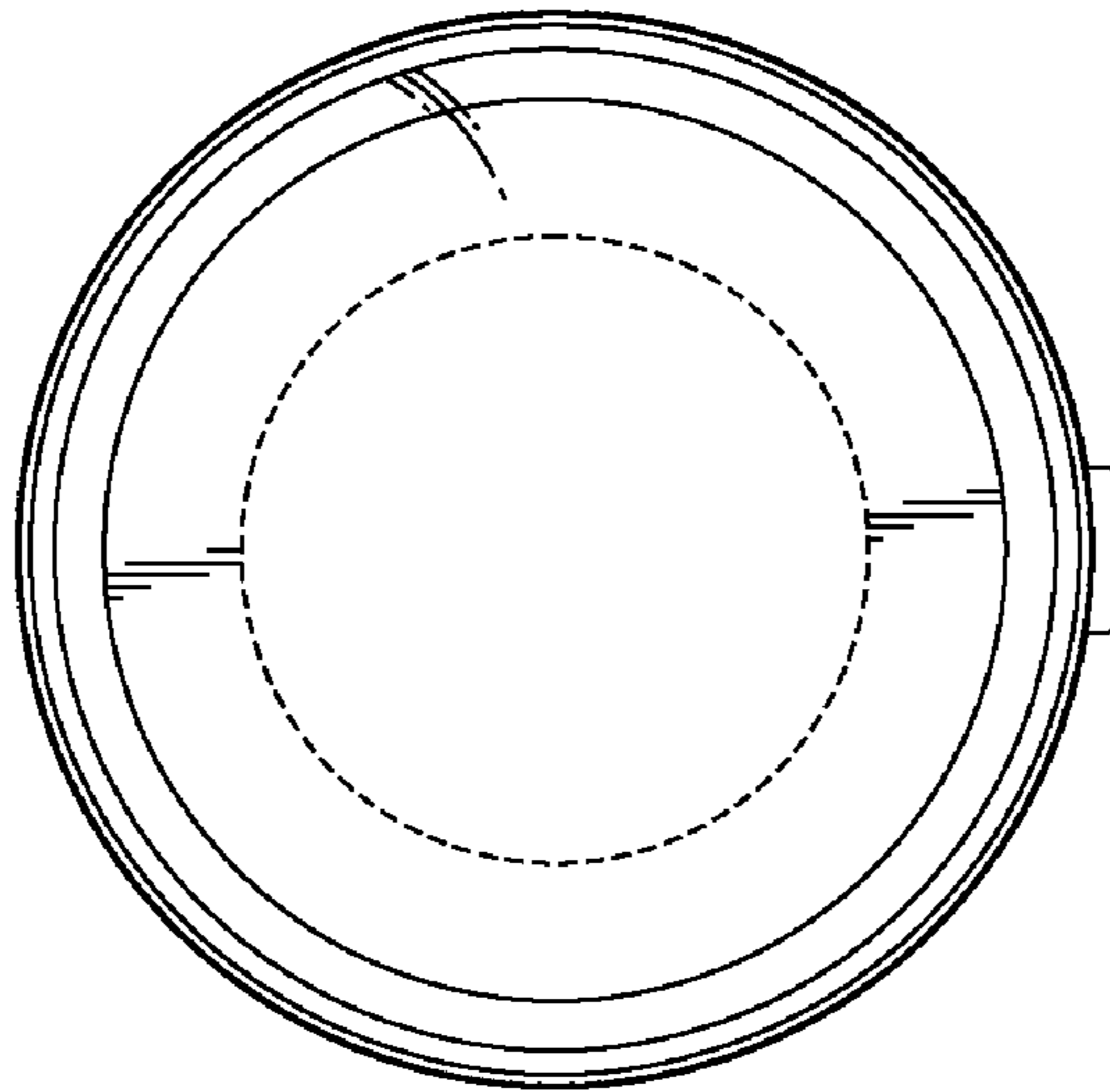


FIG. 7