



US00D552473S

(12) **United States Design Patent**  
**Simkin**

(10) **Patent No.:** **US D552,473 S**

(45) **Date of Patent:** **\*\* Oct. 9, 2007**

(54) **CONTAINER**

(75) Inventor: **Richard Simkin**, Hull (GB)

(73) Assignee: **Reckitt Benckiser N.V.** (NL)

(\*\*) Term: **14 Years**

(21) Appl. No.: **29/250,648**

(22) Filed: **Nov. 27, 2006**

**Related U.S. Application Data**

(62) Division of application No. 29/229,906, filed on May 13, 2005.

**Foreign Application Priority Data**

Nov. 16, 2004 (EP) ..... 000254248  
Mar. 11, 2005 (EP) ..... 000294863

(51) **LOC (8) Cl.** ..... **09-01**

(52) **U.S. Cl.** ..... **D9/519; D9/516**

(58) **Field of Classification Search** ..... D9/516,  
D9/519, 520, 529, 549, 552, 565, 453, 454;  
D23/356-369; 392/392, 394; 215/220,  
215/221, 206, 222; 239/135, 136, 44, 58;  
D28/76, 82, 91; D6/512; D14/512; 222/548;  
D21/558

See application file for complete search history.

(56) **References Cited**

**U.S. PATENT DOCUMENTS**

3,494,515 A \* 2/1970 Fattori ..... 222/548  
D254,716 S \* 4/1980 Mascia et al. .... D9/776  
D288,663 S \* 3/1987 Thieffry ..... D9/452  
D339,986 S \* 10/1993 Garouste et al. .... D9/529

D364,676 S \* 11/1995 Chiu et al. .... D23/356  
D426,410 S \* 6/2000 De Laforcade ..... D6/512  
D432,017 S \* 10/2000 Alvarado ..... D9/529  
D433,190 S \* 10/2000 Finocchiaro et al. .... D28/76  
D447,777 S \* 9/2001 Schick ..... D21/558  
D465,733 S \* 11/2002 Hill ..... D9/519  
D479,366 S \* 9/2003 Goswell ..... D28/82  
D480,000 S \* 9/2003 Hirato ..... D9/504  
D484,229 S \* 12/2003 Upson ..... D23/366  
D484,585 S \* 12/2003 Upson ..... D23/366  
D488,142 S \* 4/2004 Wang et al. .... D14/138  
D510,991 S \* 10/2005 Harbutt et al. .... D23/366  
D511,975 S \* 11/2005 Py ..... D9/682  
D522,118 S \* 5/2006 Miro ..... D23/366  
D524,153 S \* 7/2006 Reinhard ..... D9/428  
2006/0081721 A1 \* 4/2006 Caserta et al. .... 239/44

\* cited by examiner

*Primary Examiner*—Stella Reid

*Assistant Examiner*—Elizabeth J. Oswecki

(74) *Attorney, Agent, or Firm*—Norris McLaughlin & Marcus PA

(57) **CLAIM**

The ornamental design for a container, as shown and described.

**DESCRIPTION**

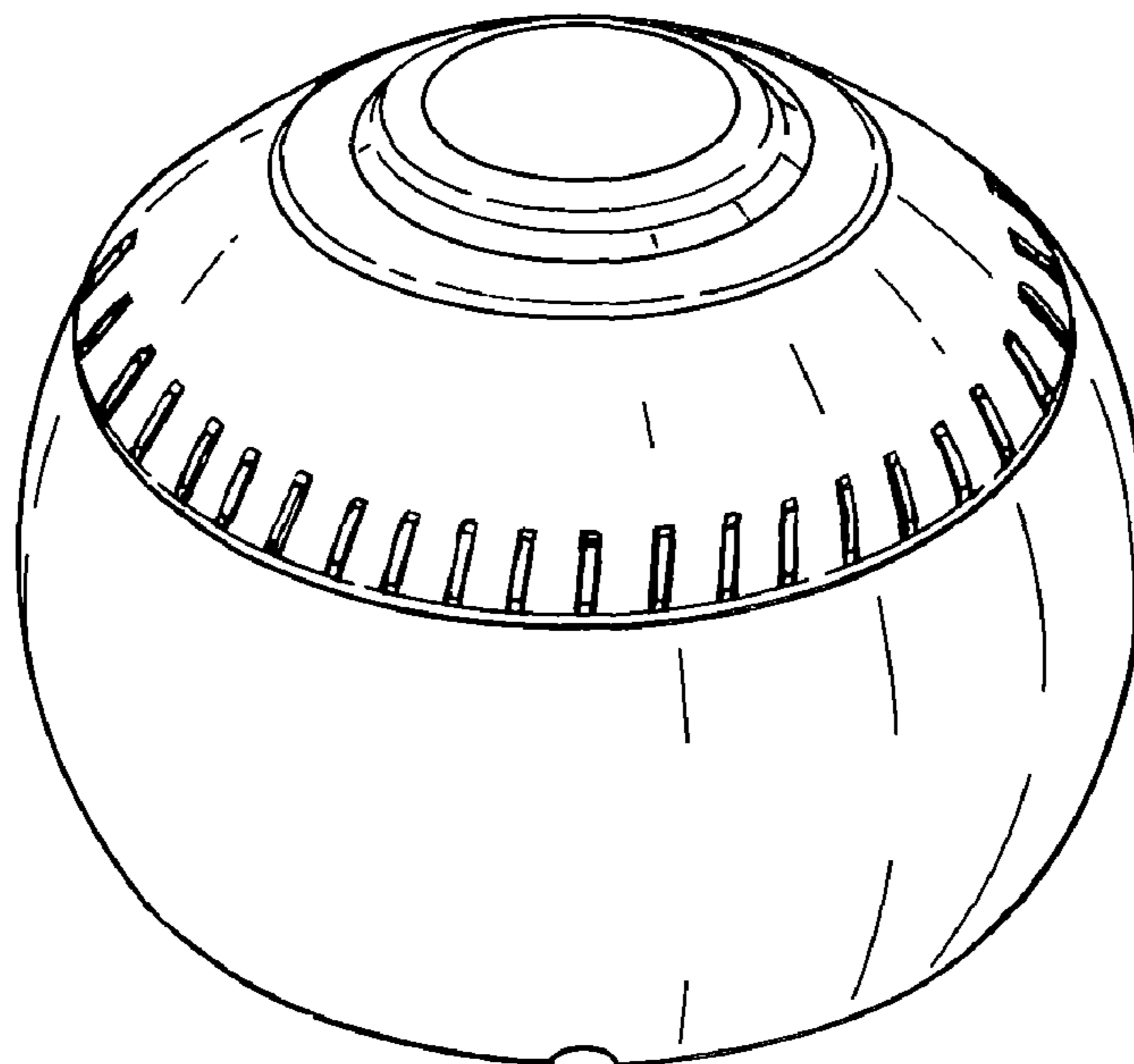
FIG. 1 is a perspective view taken from the top of a container;

FIG. 2 is an elevation view of the side thereof;

FIG. 3 is a top plan view thereof; and,

FIG. 4 is a bottom plan view thereof.

**1 Claim, 2 Drawing Sheets**



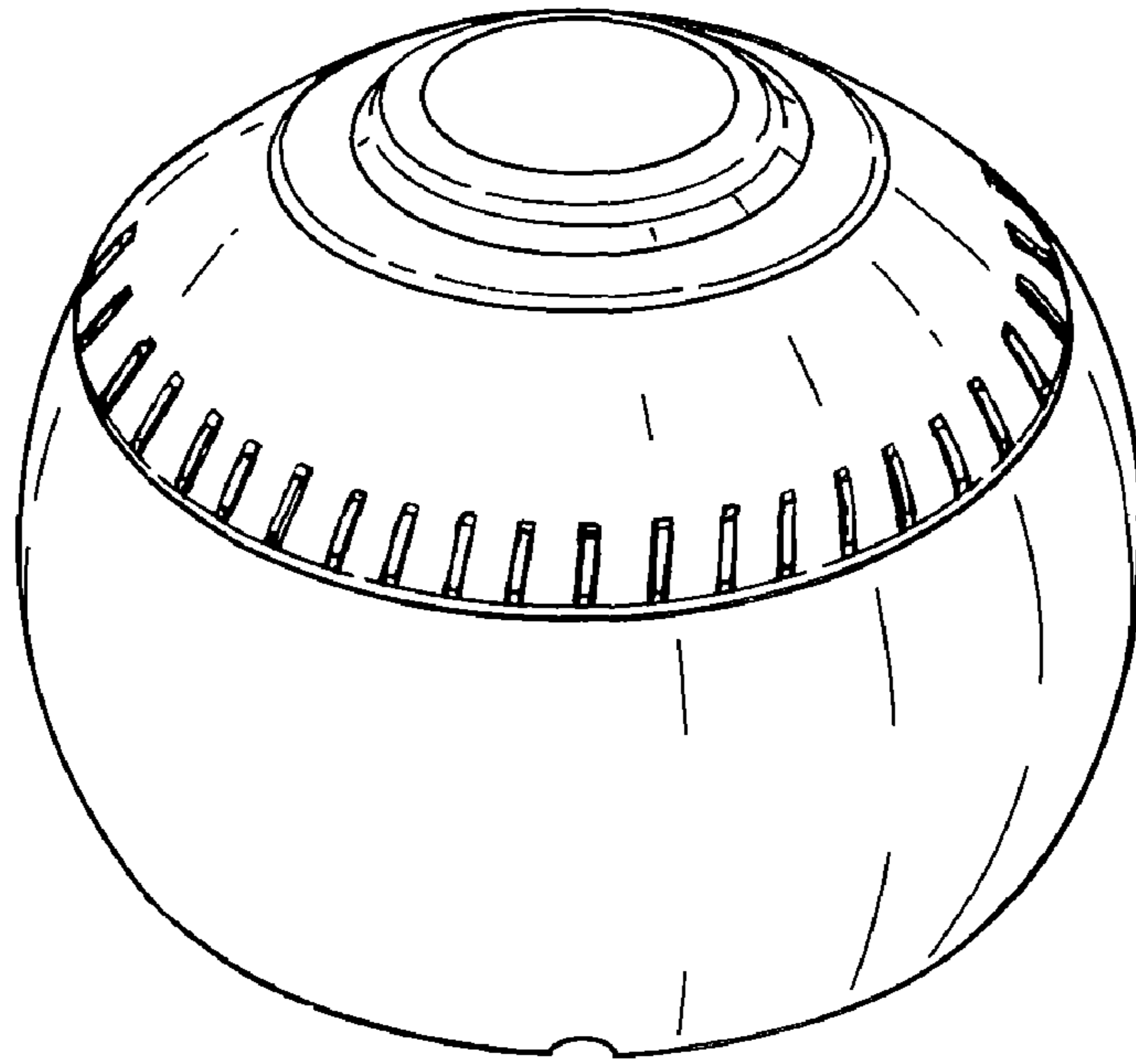


Fig.1.

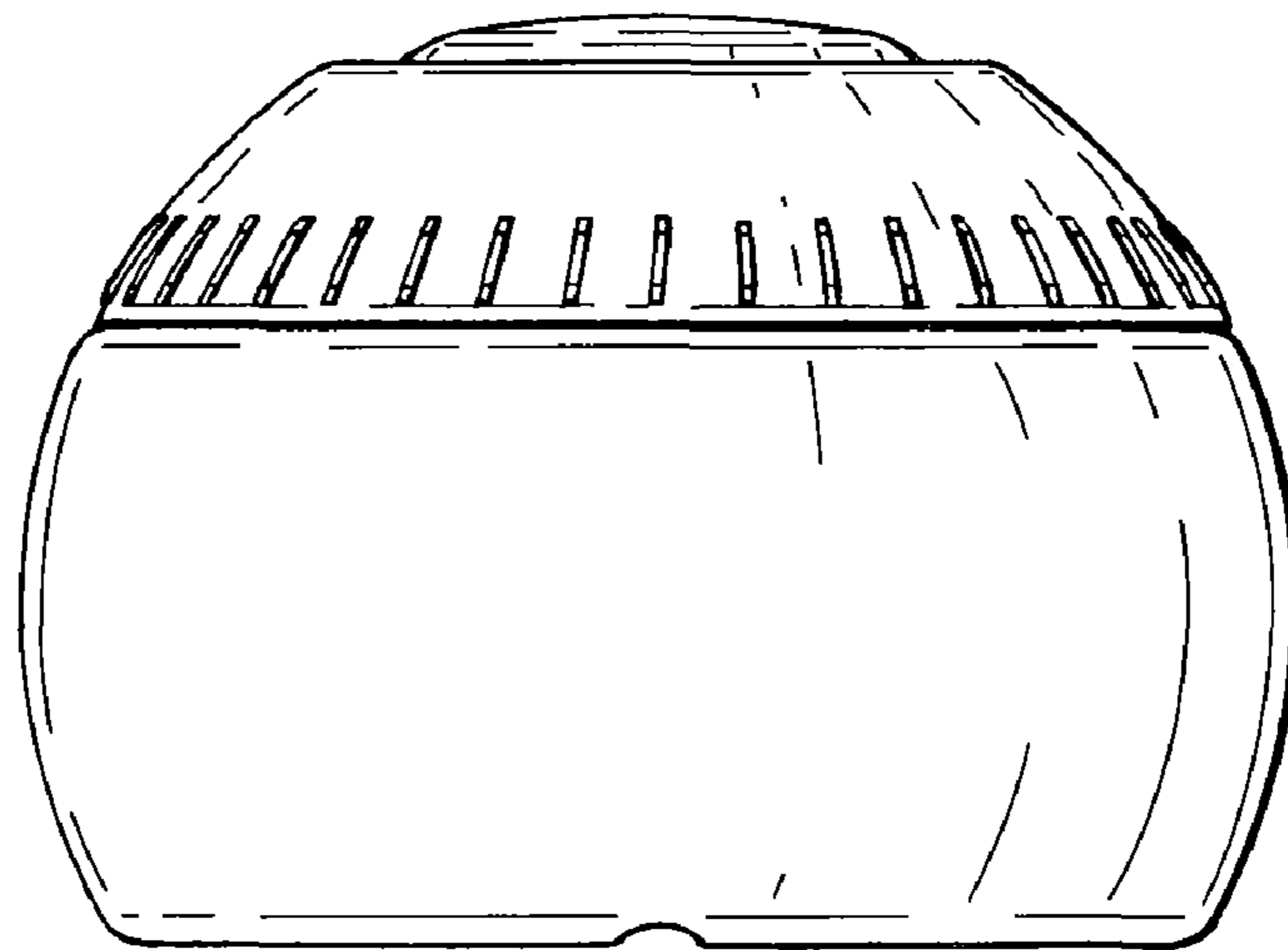


Fig.2.

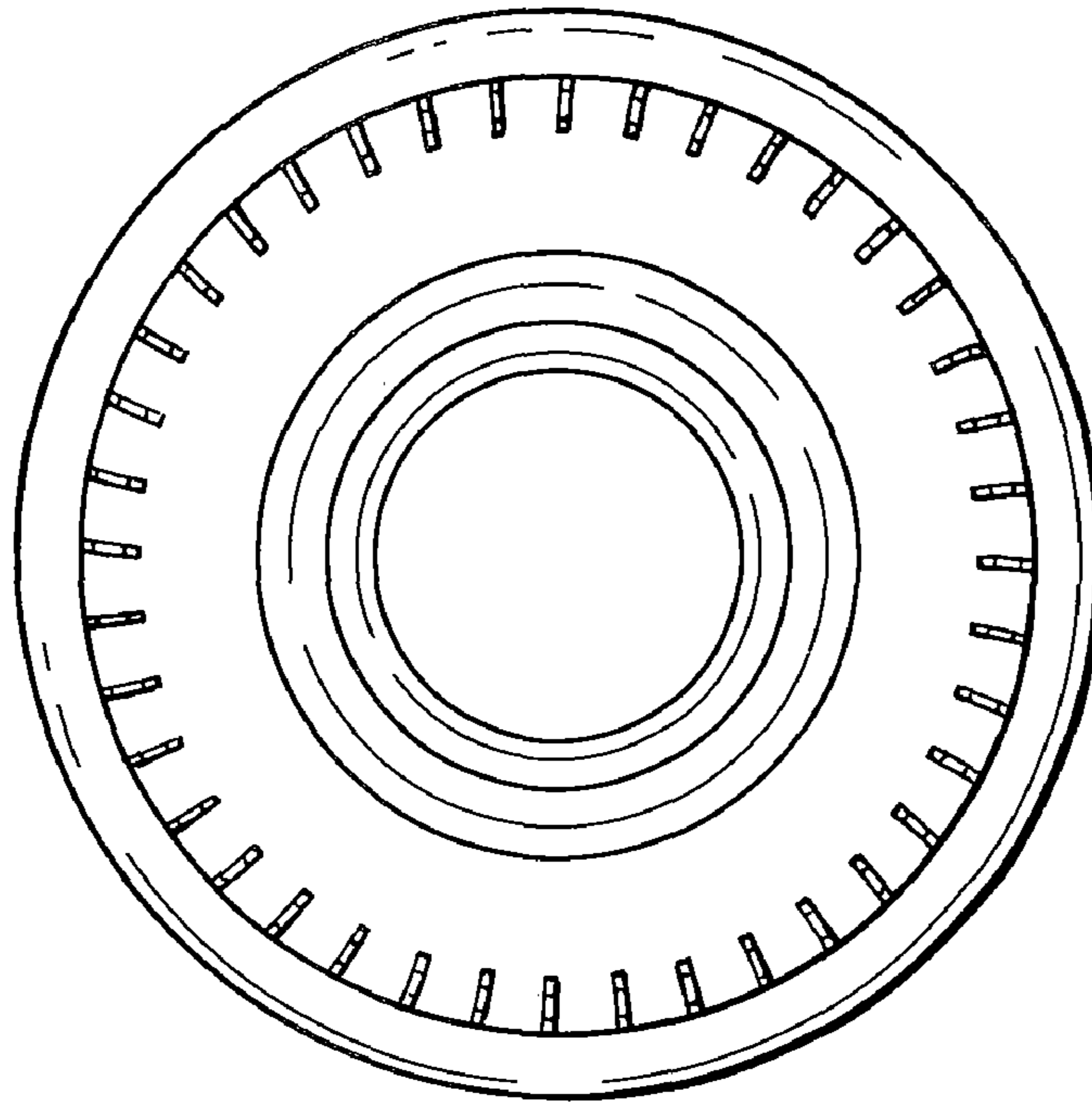


Fig.3.

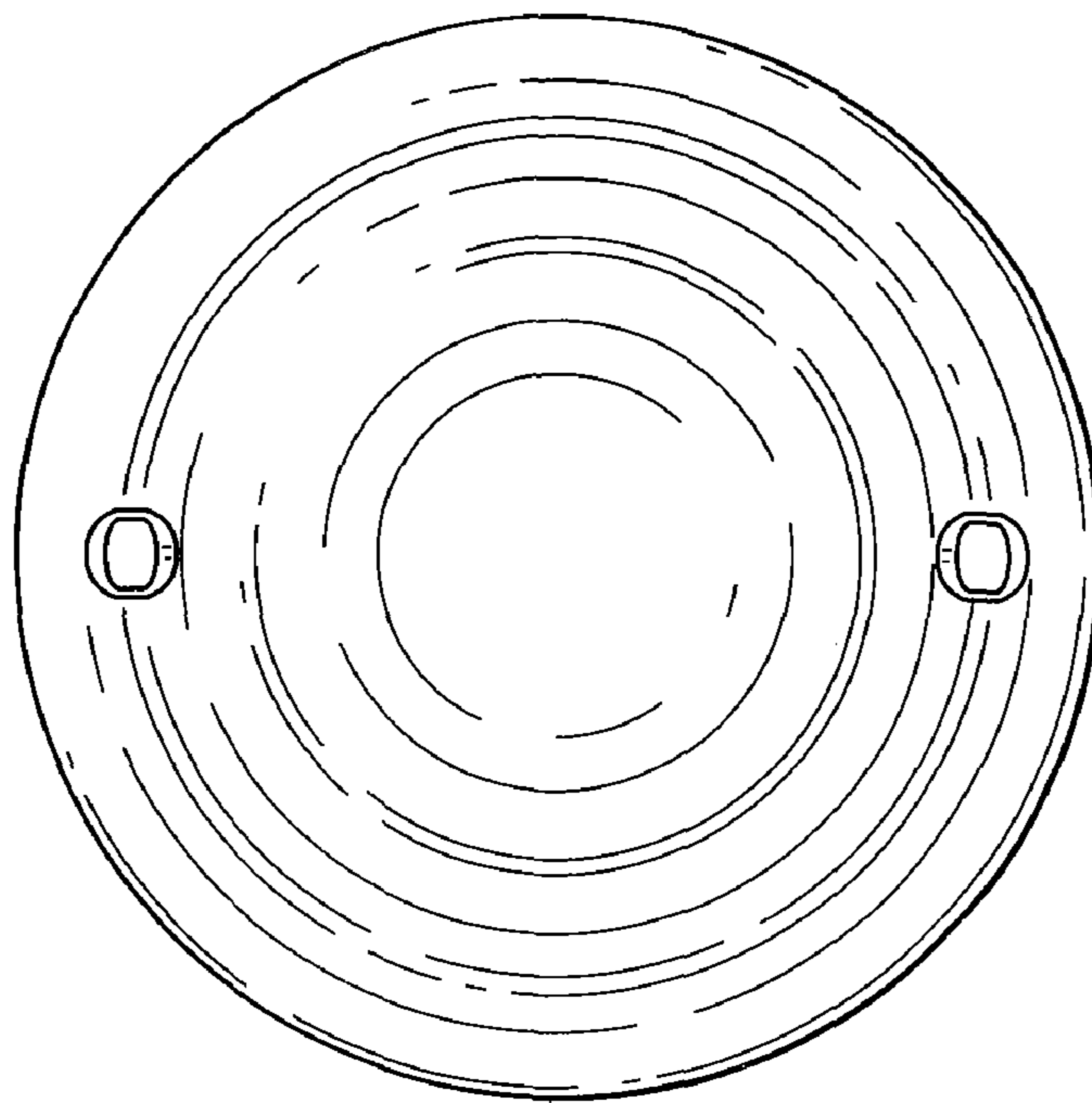


Fig.4.