



US00D552472S

(12) **United States Design Patent** (10) **Patent No.:** **US D552,472 S**
Dobson et al. (45) **Date of Patent:** **** Oct. 9, 2007**

(54) **CLOSURE FOR CONTAINER**
 (75) Inventors: **Paul Dobson**, Norfolk (GB); **Nigel Frederick Cooper**, Norfolk (GB); **Peter Virica**, Newcastle-upon-Tyne (GB); **Jayne Hazlewood**, Norfolk (GB)

EP 0 591 601 9/2002
 GB 775900 5/1957
 JP 2003312705 11/2003

* cited by examiner

(73) Assignee: **Jeyes Group Limited** (GB)

Primary Examiner—Robert M. Spear
Assistant Examiner—Susan Bennett Hattan

(**) Term: **14 Years**

(74) *Attorney, Agent, or Firm*—Ostrolenk, Faber, Gerb & Soffen, LLP

(21) Appl. No.: **29/257,596**

(22) Filed: **Apr. 6, 2006**

(51) **LOC (8) Cl.** **09-07**

(52) **U.S. Cl.** **D9/447**

(58) **Field of Classification Search** D9/745,
 D9/733, 705, 690, 688, 686, 682, 529, 526,
 D9/525, 503, 454, 453, 452, 450, 449, 448,
 D9/447, 435; D8/4.1; D7/398, 392, 392.1;
 D32/45; D28/7, 20; 222/542, 531, 529,
 222/213, 207, 541.2-6; 220/717, 713, 254.2-4
 See application file for complete search history.

(56) **References Cited**

U.S. PATENT DOCUMENTS

D167,213 S * 7/1952 Lapin D9/690
 D171,432 S * 2/1954 Bernabo D9/447
 3,366,289 A * 1/1968 Badavas et al. 222/541.5
 4,133,457 A 1/1979 Klassen
 4,600,125 A * 7/1986 Maynard, Jr. 222/81
 4,944,429 A * 7/1990 Bishop et al. 222/153.13
 D350,482 S * 9/1994 Hu et al. D9/448
 D356,625 S * 3/1995 Petrucci et al. D23/209
 D379,304 S * 5/1997 Bova D9/447
 D396,007 S * 7/1998 Palestrant D9/447
 5,944,234 A 8/1999 Lampe et al.
 6,050,434 A * 4/2000 McNab 215/235
 D445,335 S * 7/2001 Hou D9/447
 D488,380 S * 4/2004 Dobbs et al. D9/448
 D497,282 S * 10/2004 Kelly et al. D7/392.1
 D526,195 S * 8/2006 Jelich et al. D9/449
 2006/0255036 A1 * 11/2006 Chau 220/254.3

FOREIGN PATENT DOCUMENTS

EP 0 633 859 4/1992

(57) **CLAIM**

The ornamental design for a closure for container, as shown and described.

DESCRIPTION

FIG. 1 is a perspective view of a first embodiment of a closure for a container showing our new design;

FIG. 2 is a top view thereof;

FIG. 3 is a side view thereof;

FIG. 4 is a perspective view of a second embodiment thereof;

FIG. 5 is a top view thereof;

FIG. 6 is a side view thereof;

FIG. 7 is a perspective view of a third embodiment thereof;

FIG. 8 is a top view thereof;

FIG. 9 is a side view thereof;

FIG. 10 is a perspective view of a fourth embodiment thereof;

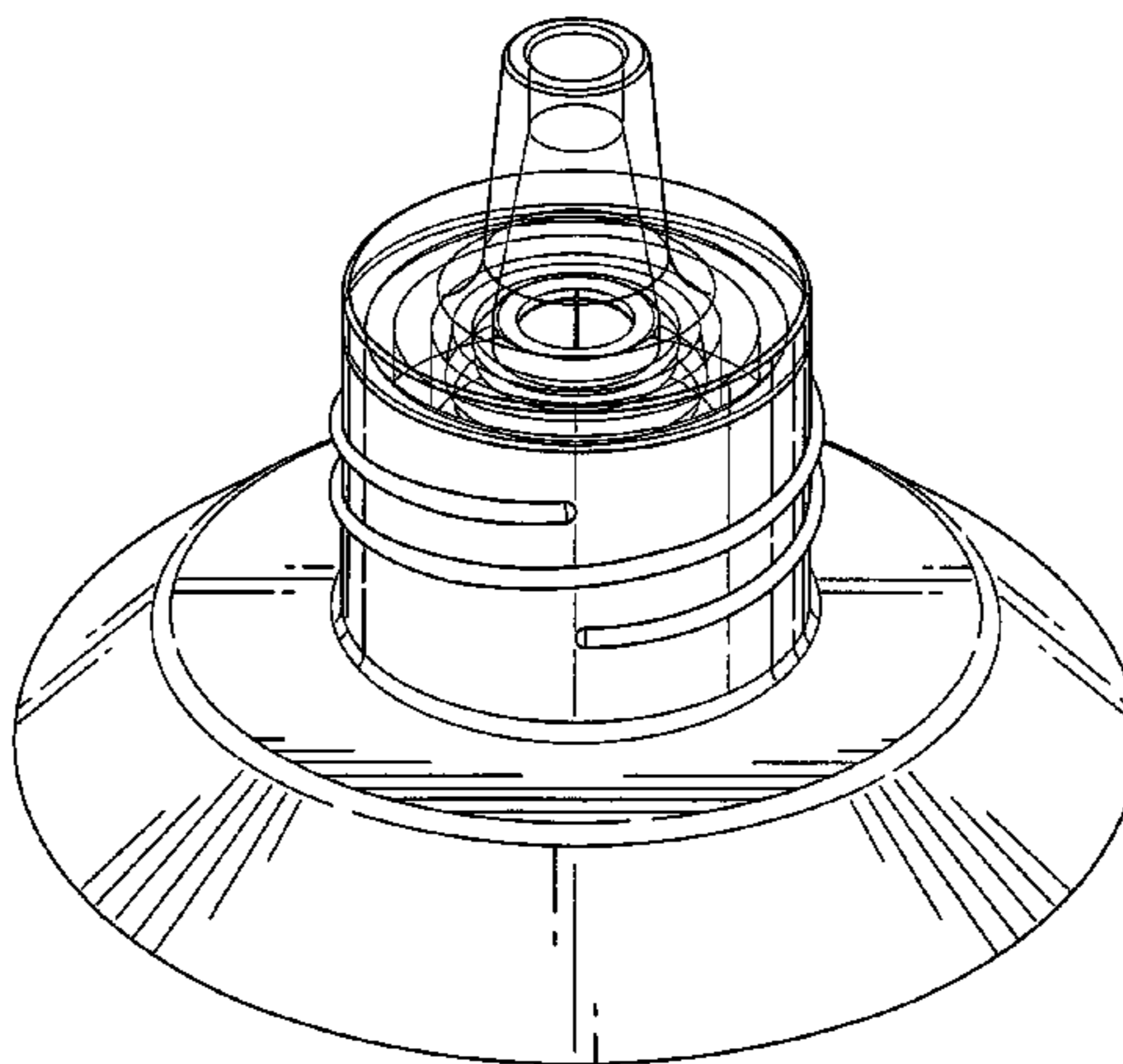
FIG. 11 is a top view thereof; and,

FIG. 12 is a side view thereof.

The bottom of the closure is devoid of surface ornamentation, is not shown in the drawing and forms no part of the design.

The broken lines in the drawings illustrate environmental structure that forms no part of the claimed design.

1 Claim, 8 Drawing Sheets



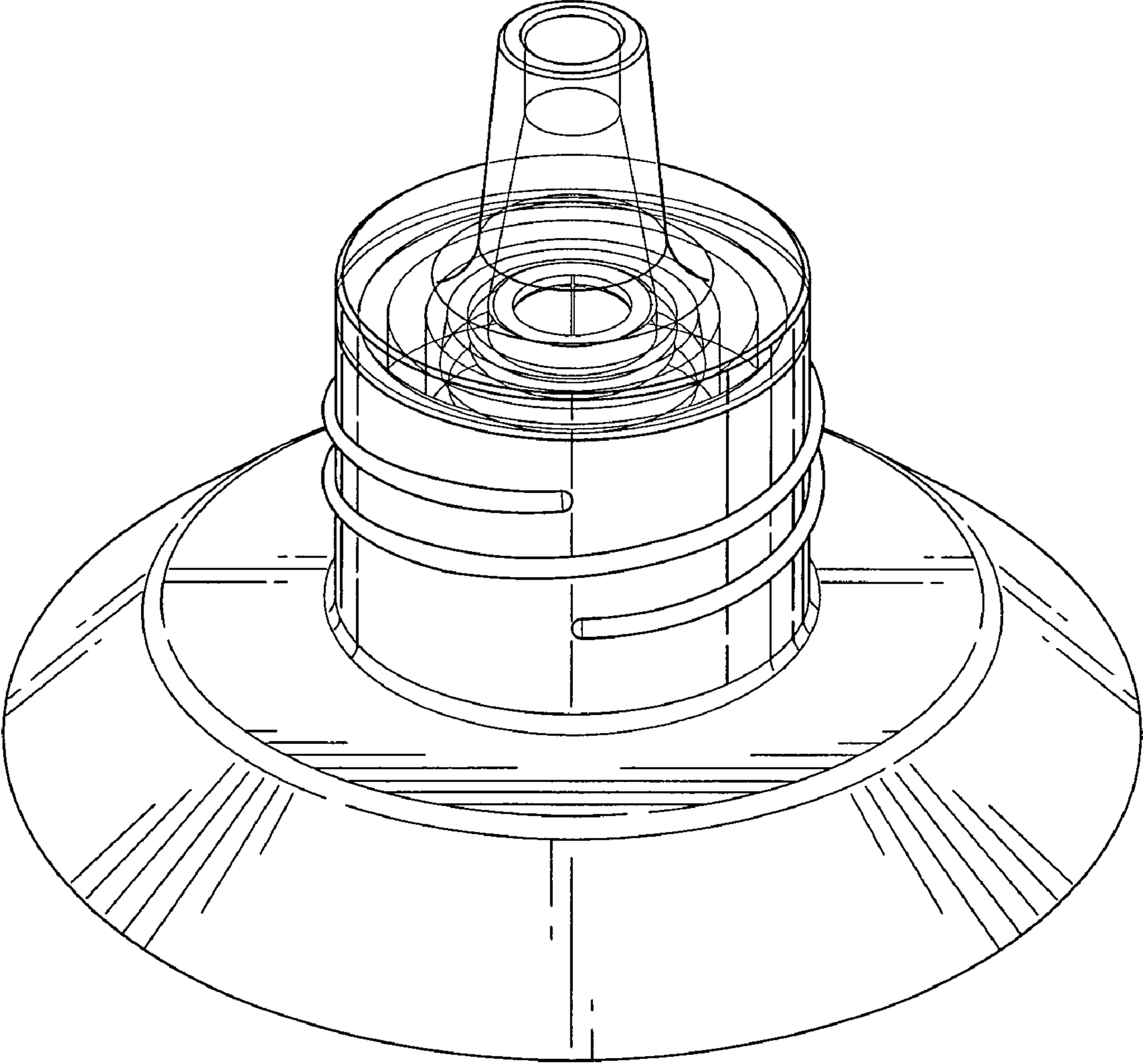


Fig. 1

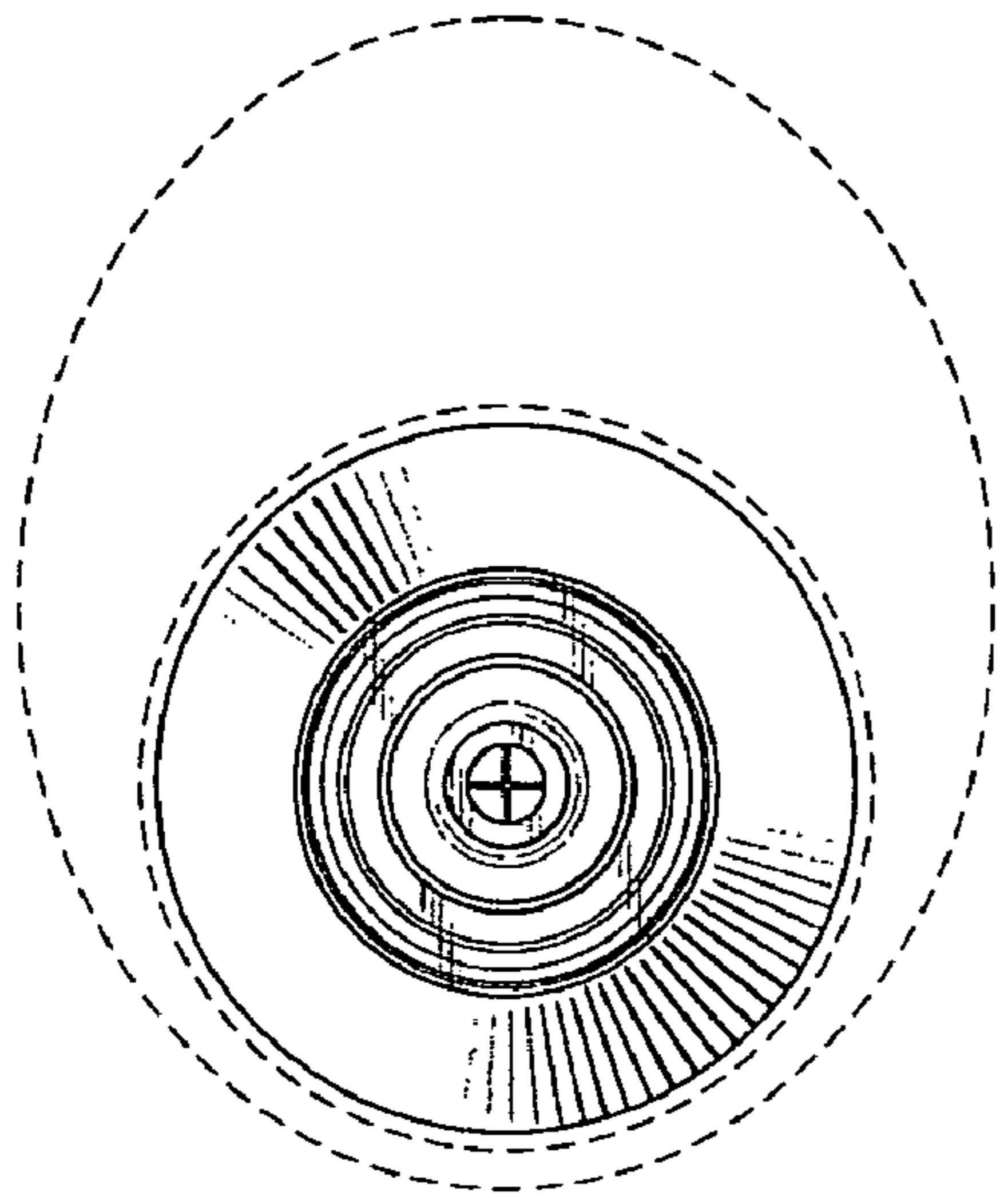


Fig. 2

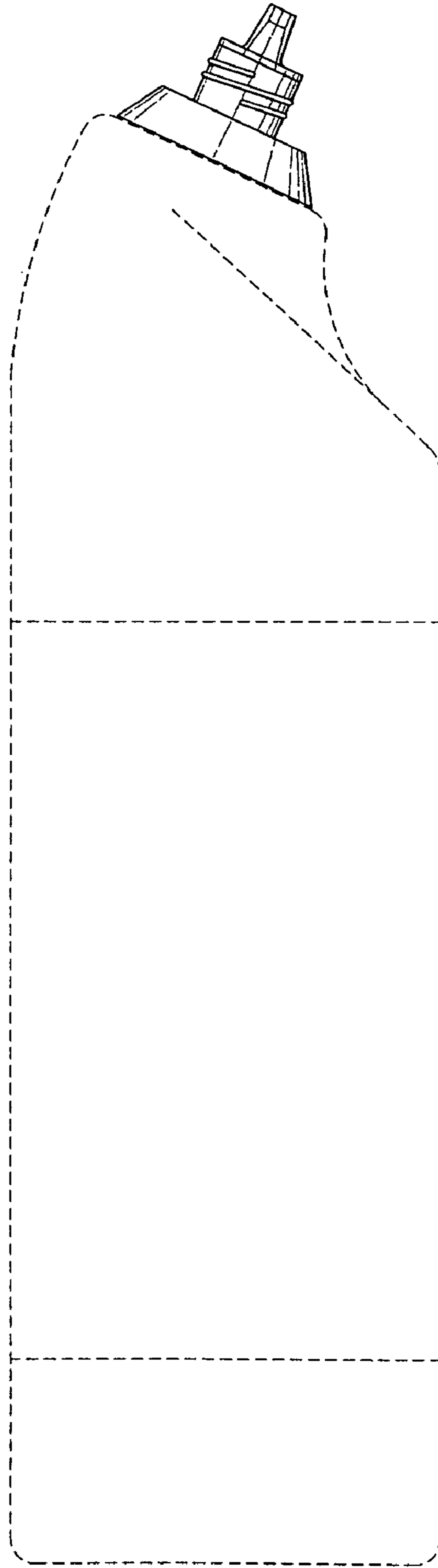


Fig. 3

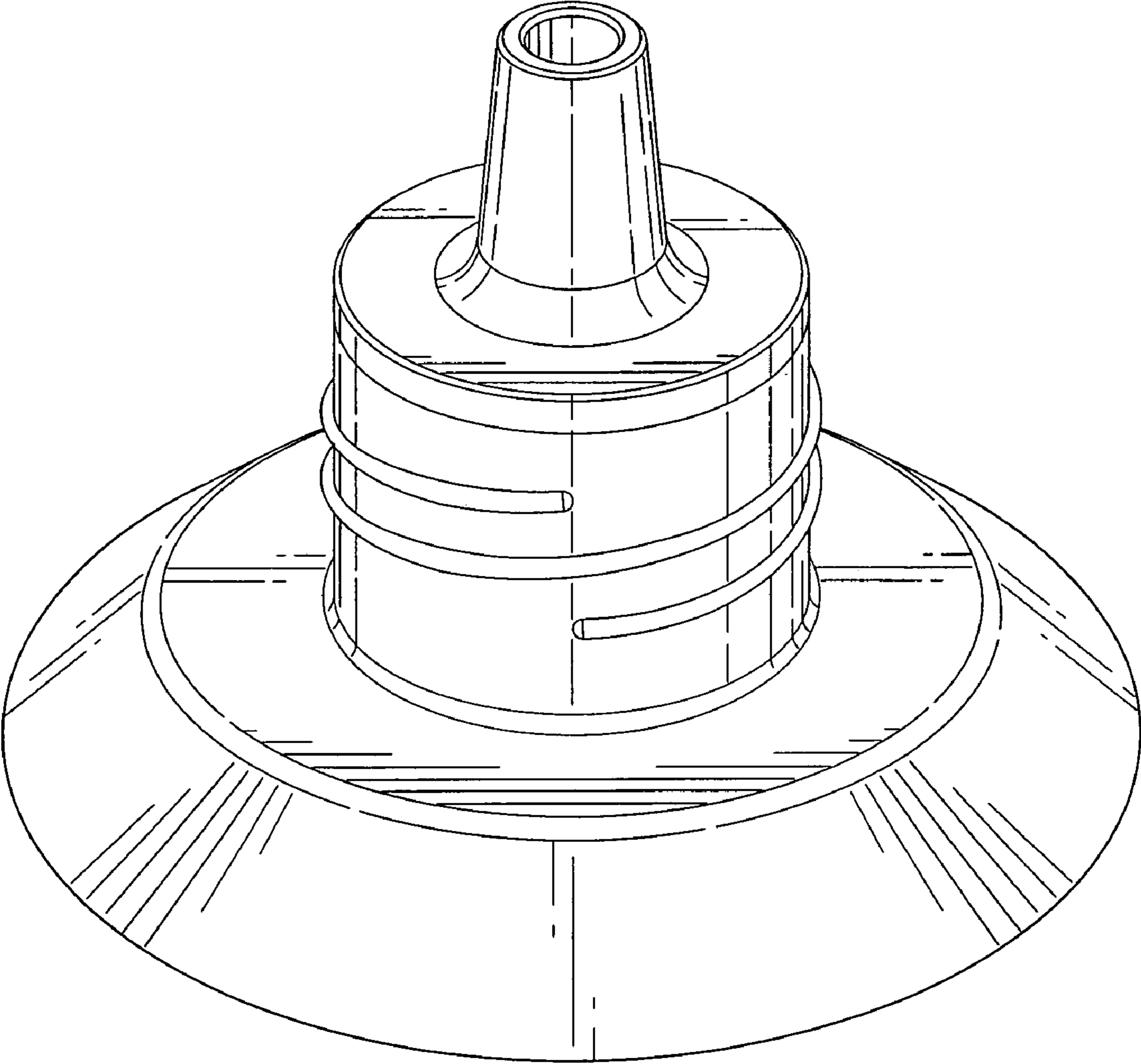


Fig. 4

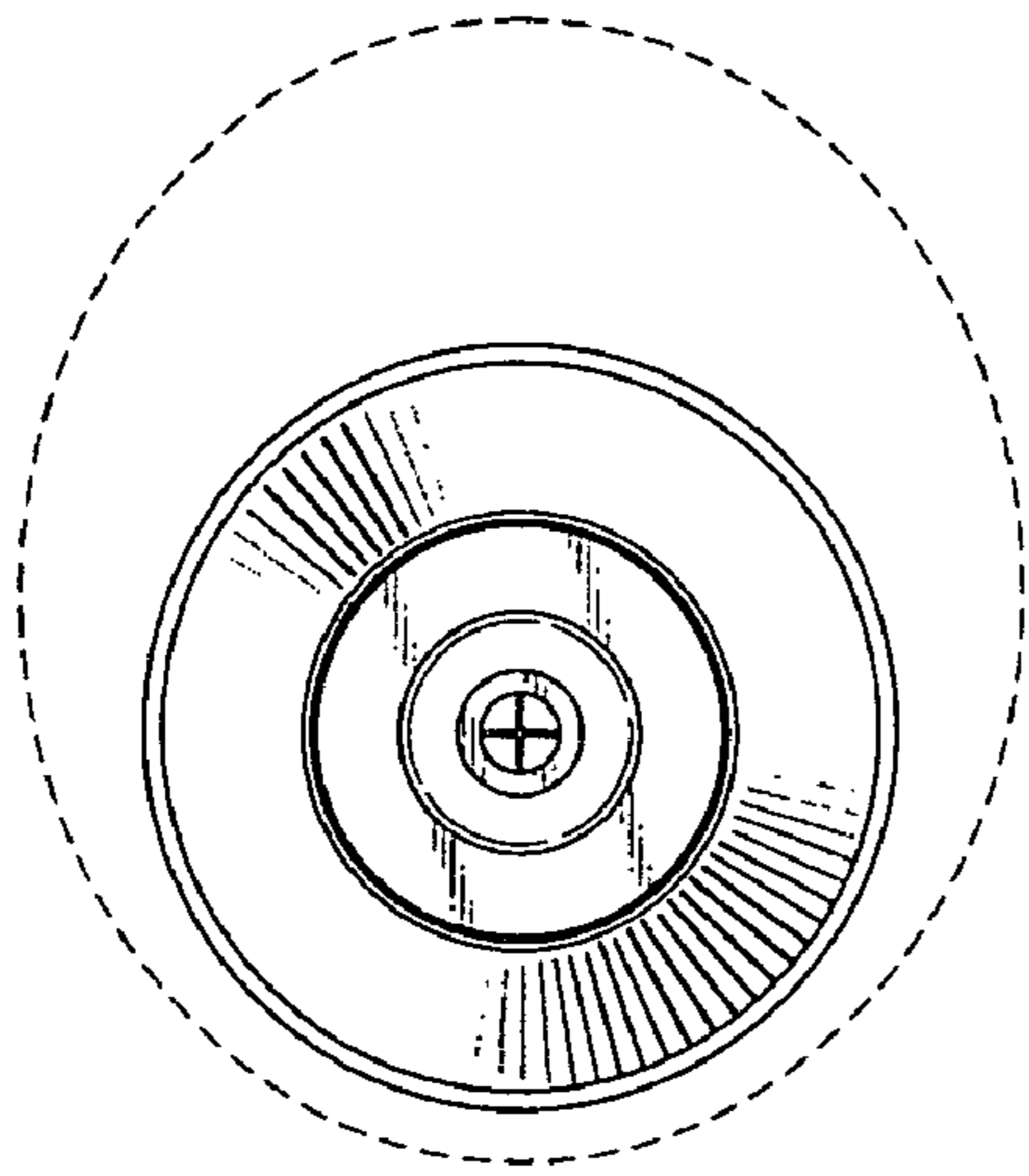


Fig. 5

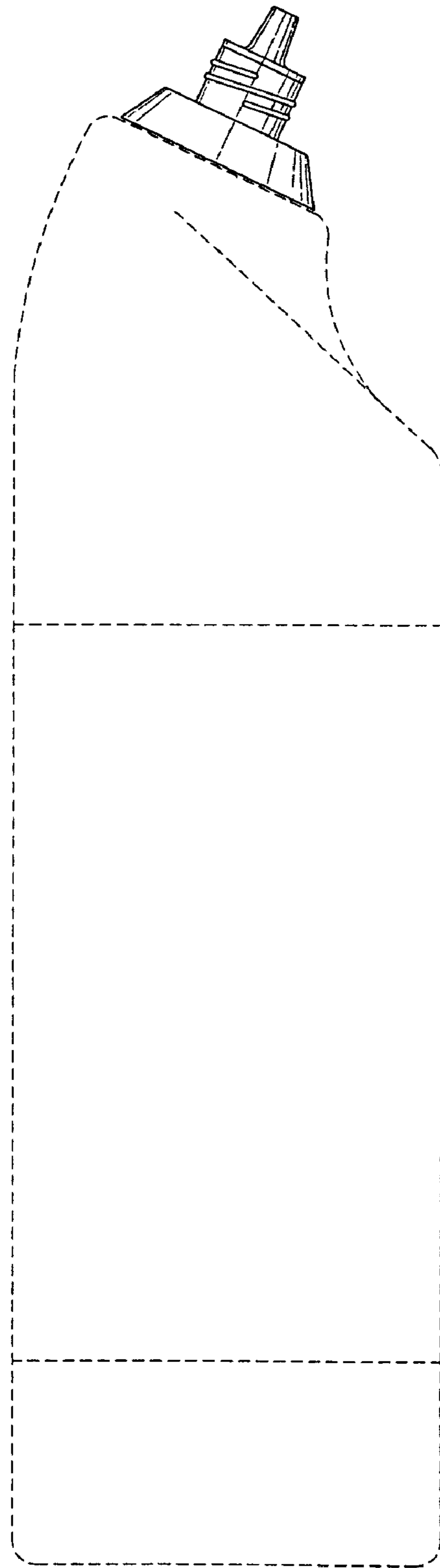


Fig. 6

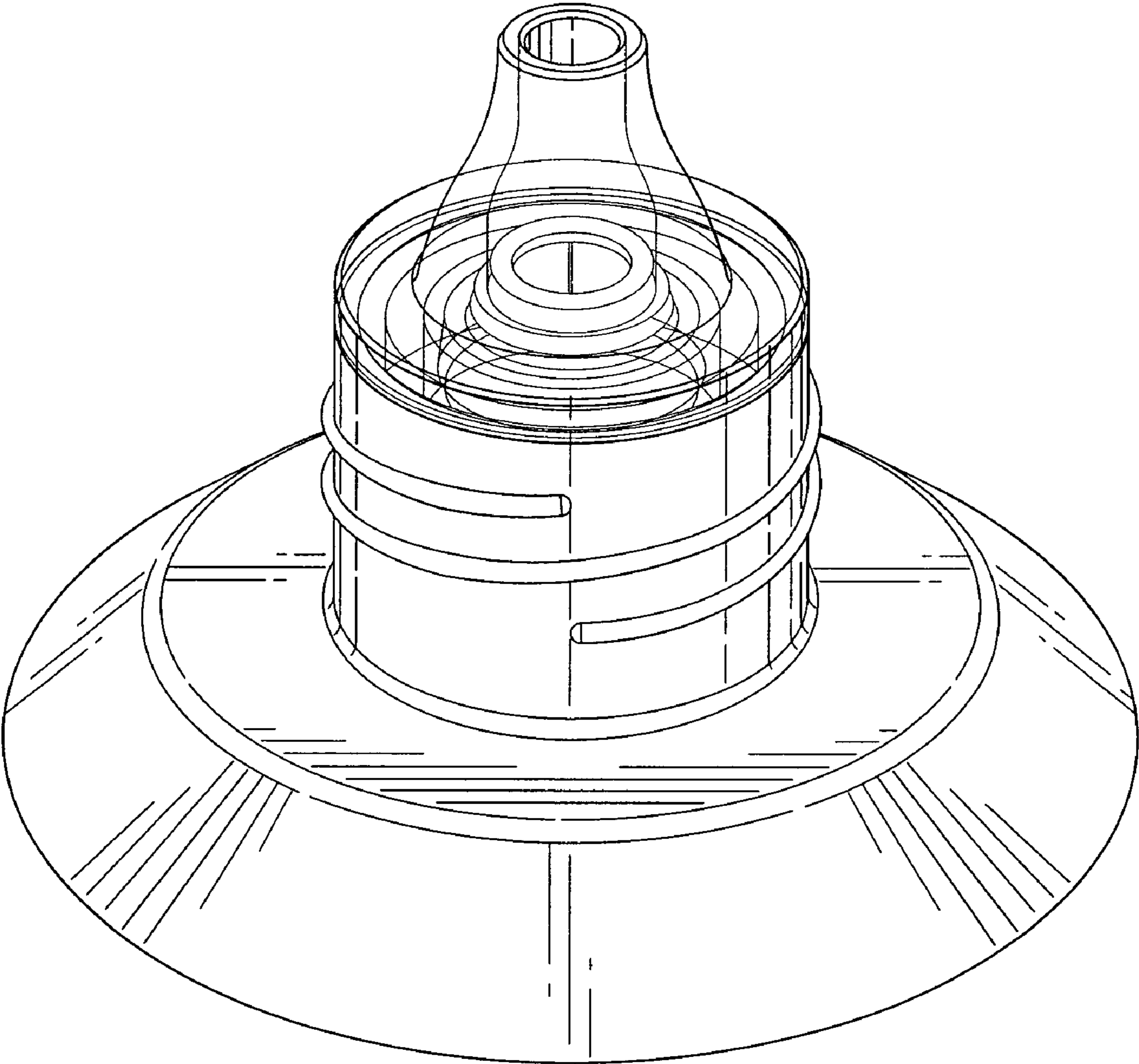


Fig. 7

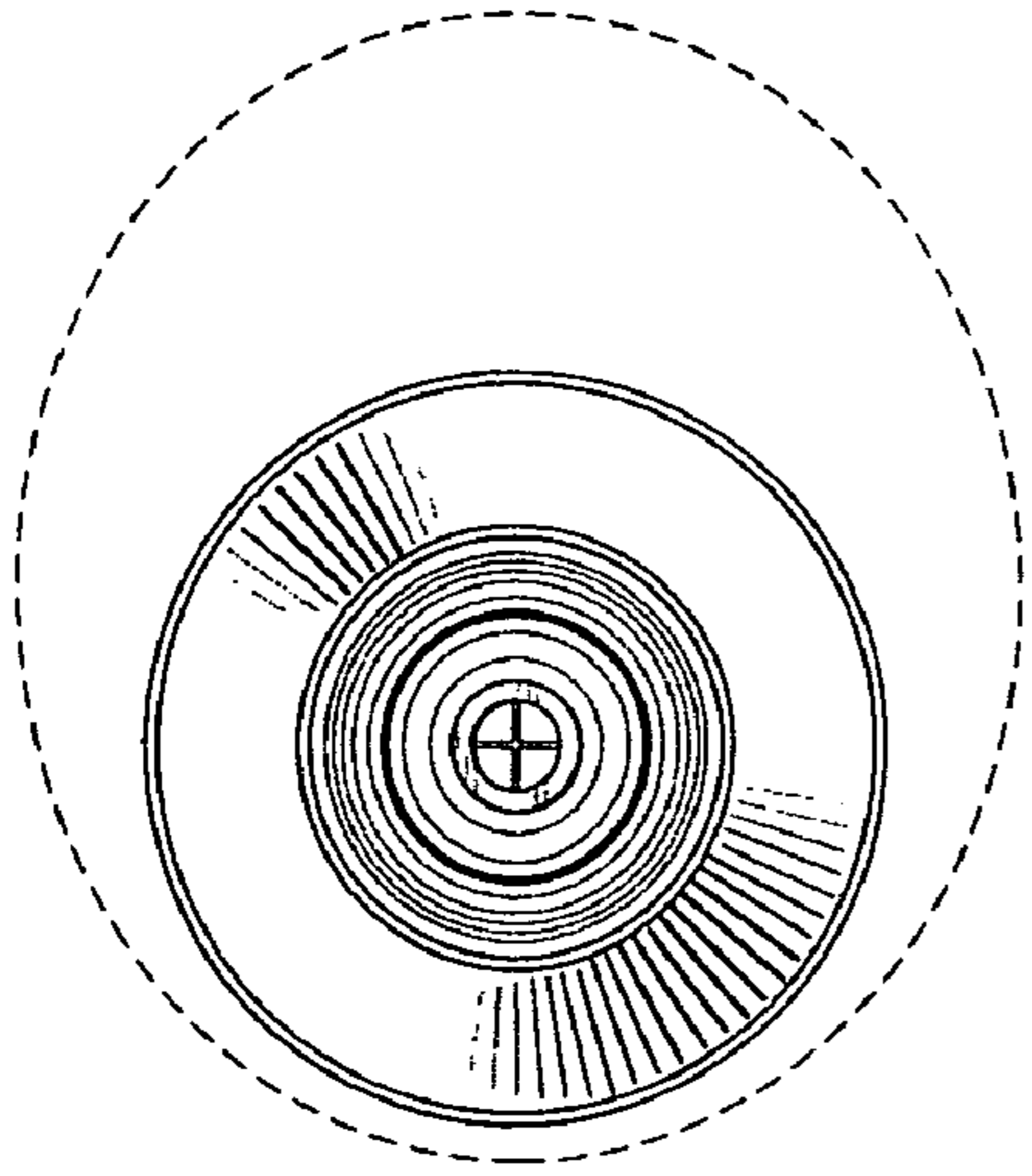


Fig. 8

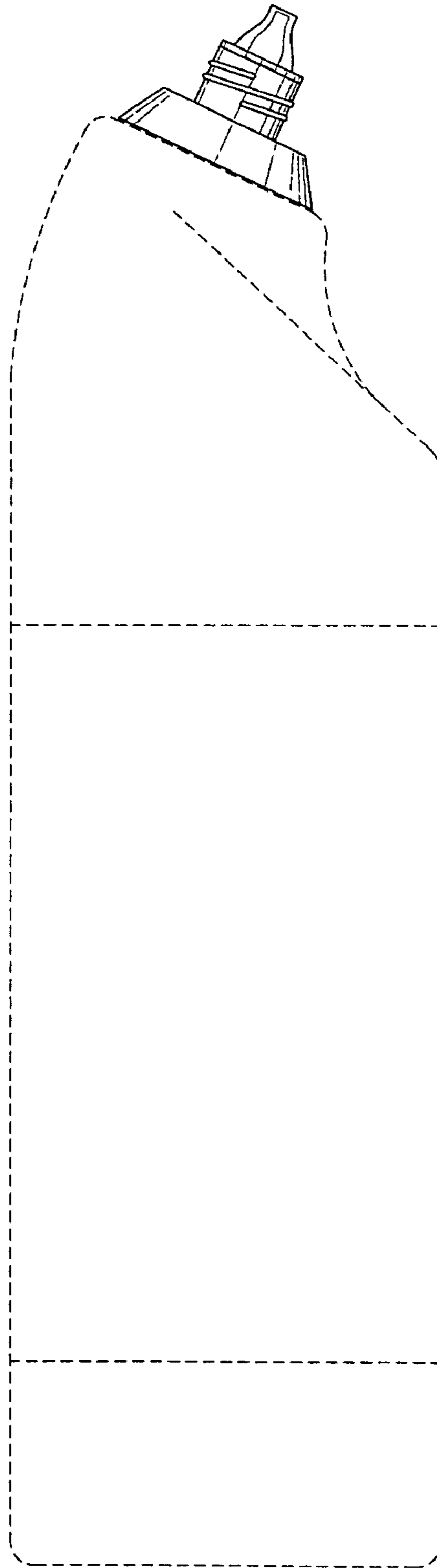


Fig. 9

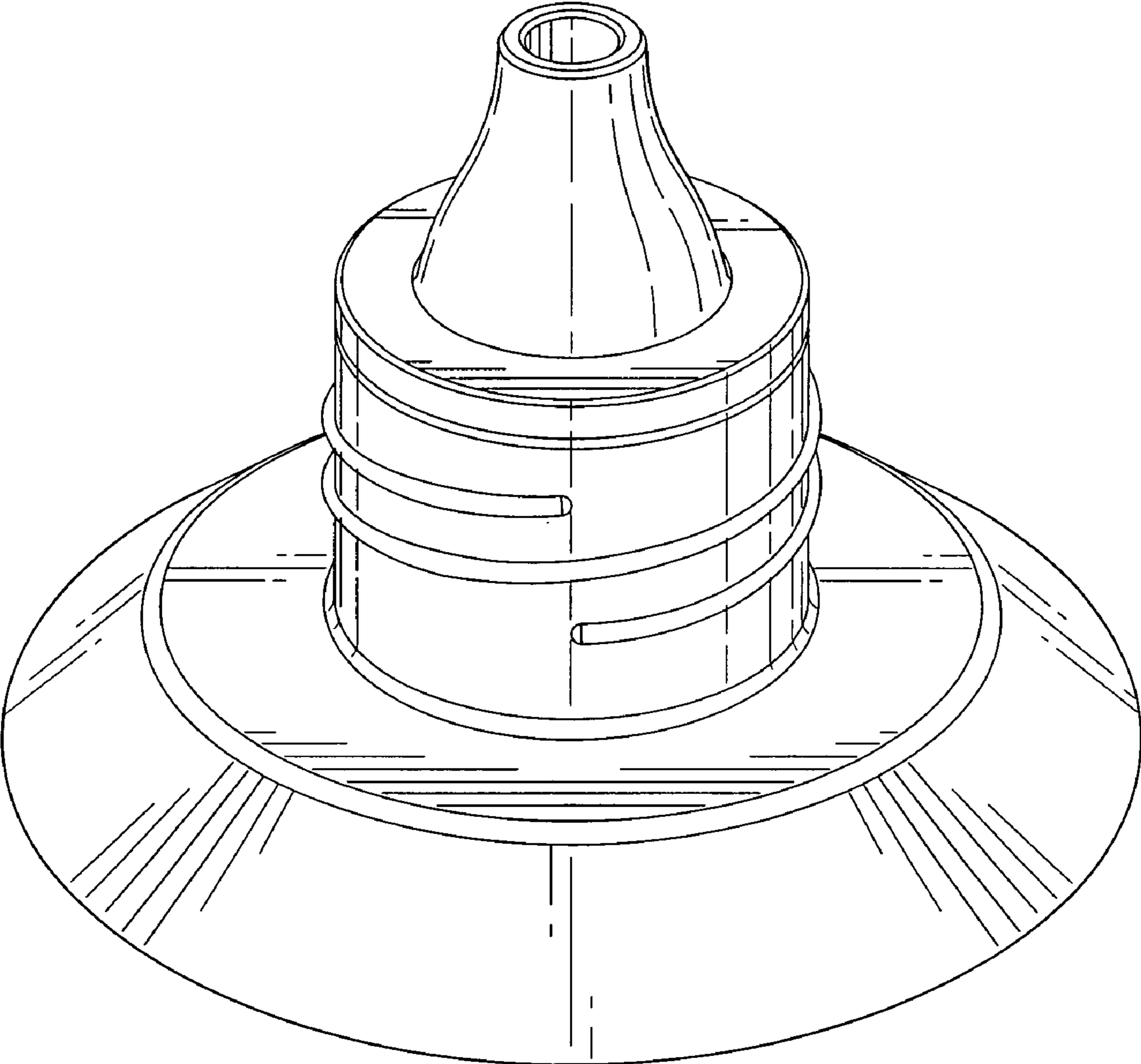


Fig. 10

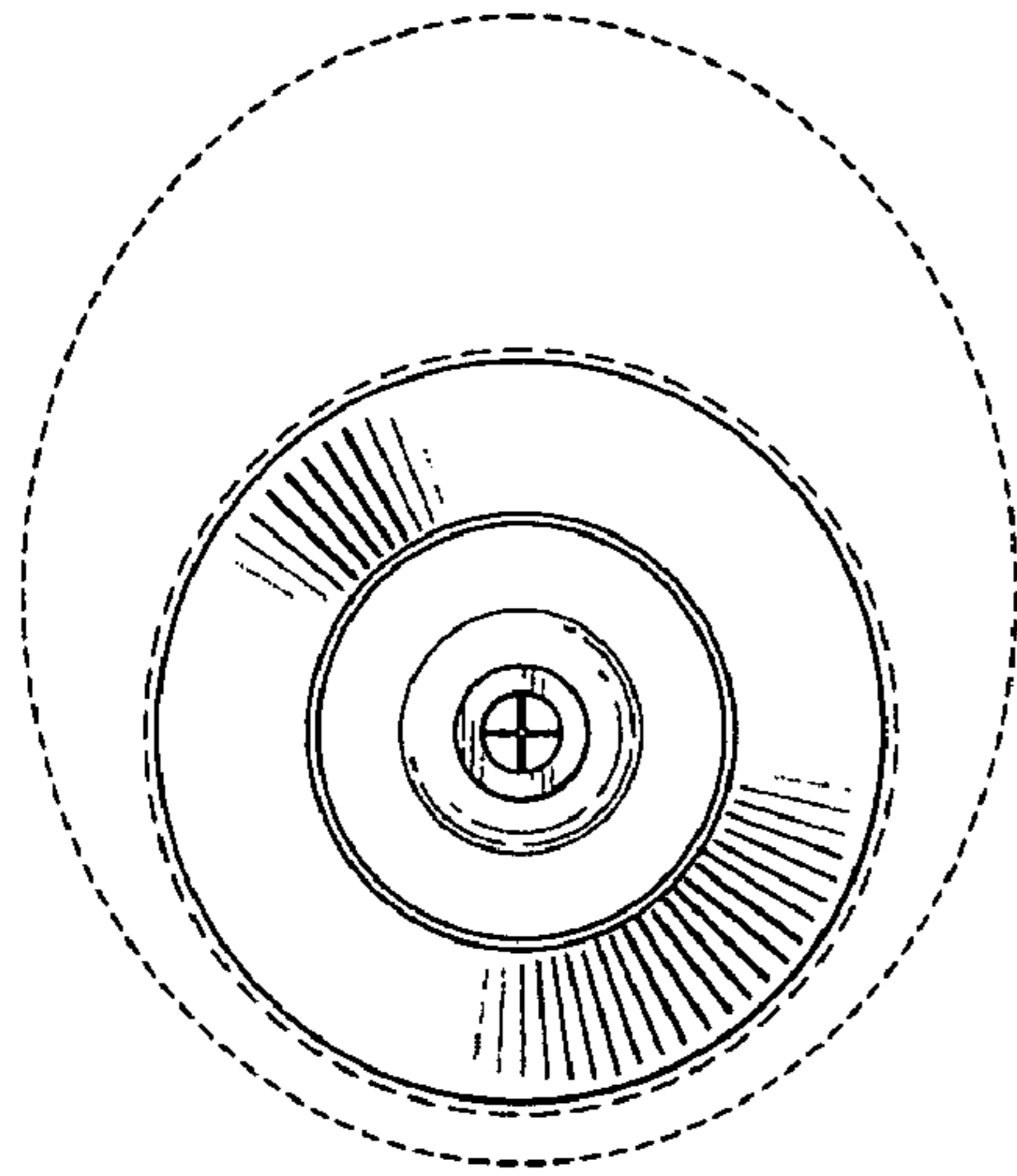


Fig. 11

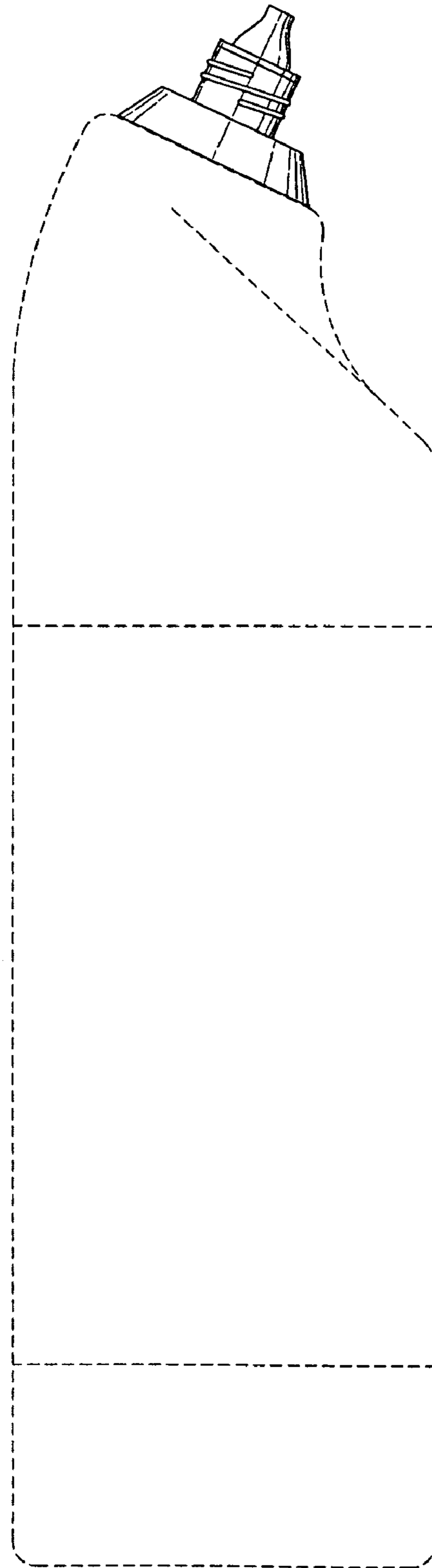


Fig. 12