

US00D552470S

(12) **United States Design Patent**
Kawaguchi et al.

(10) **Patent No.:** **US D552,470 S**

(45) **Date of Patent:** **** Oct. 9, 2007**

(54) **CONTAINER**

D486,731 S * 2/2004 Meeker et al. D9/416

* cited by examiner

(75) Inventors: **Katsunori Kawaguchi**, Kobe (JP);
Michiko Oya, Kobe (JP); **Taichi**
Kodani, Kobe (JP); **Hiroaki Kuwano**,
Nishinomiya (JP); **Makoto Igarashi**,
Taito-ku (JP)

Primary Examiner—Robert A. Delehanty
(74) *Attorney, Agent, or Firm*—Kim William Zerby; Steven
W. Miller

(73) Assignee: **The Procter & Gamble Company**,
Cincinnati, OH (US)

(57) **CLAIM**

The ornamental design for a container, as shown and
described.

(**) Term: **14 Years**

DESCRIPTION

(21) Appl. No.: **29/267,181**

FIG. 1 is a perspective view of a container, embodying our
new design;

(22) Filed: **Oct. 6, 2006**

FIG. 2 is a front view thereof;

(51) **LOC (8) Cl.** **09-03**

FIG. 3 is a back view thereof;

(52) **U.S. Cl.** **D9/432**

FIG. 4 is a top plan view thereof;

(58) **Field of Classification Search** D9/430-433,
D9/414-418; 229/105-106, 108, 108.1,
229/100, 112-113, 115-116, 110, 162.1,
229/922, 938, 182.1; 206/551, 746, 457,
206/784, 822

FIG. 5 is a bottom view thereof;

FIG. 6 is a right side view thereof;

FIG. 7 is a left side view thereof; and,

FIG. 8 is a perspective view in an open position thereof.

See application file for complete search history.

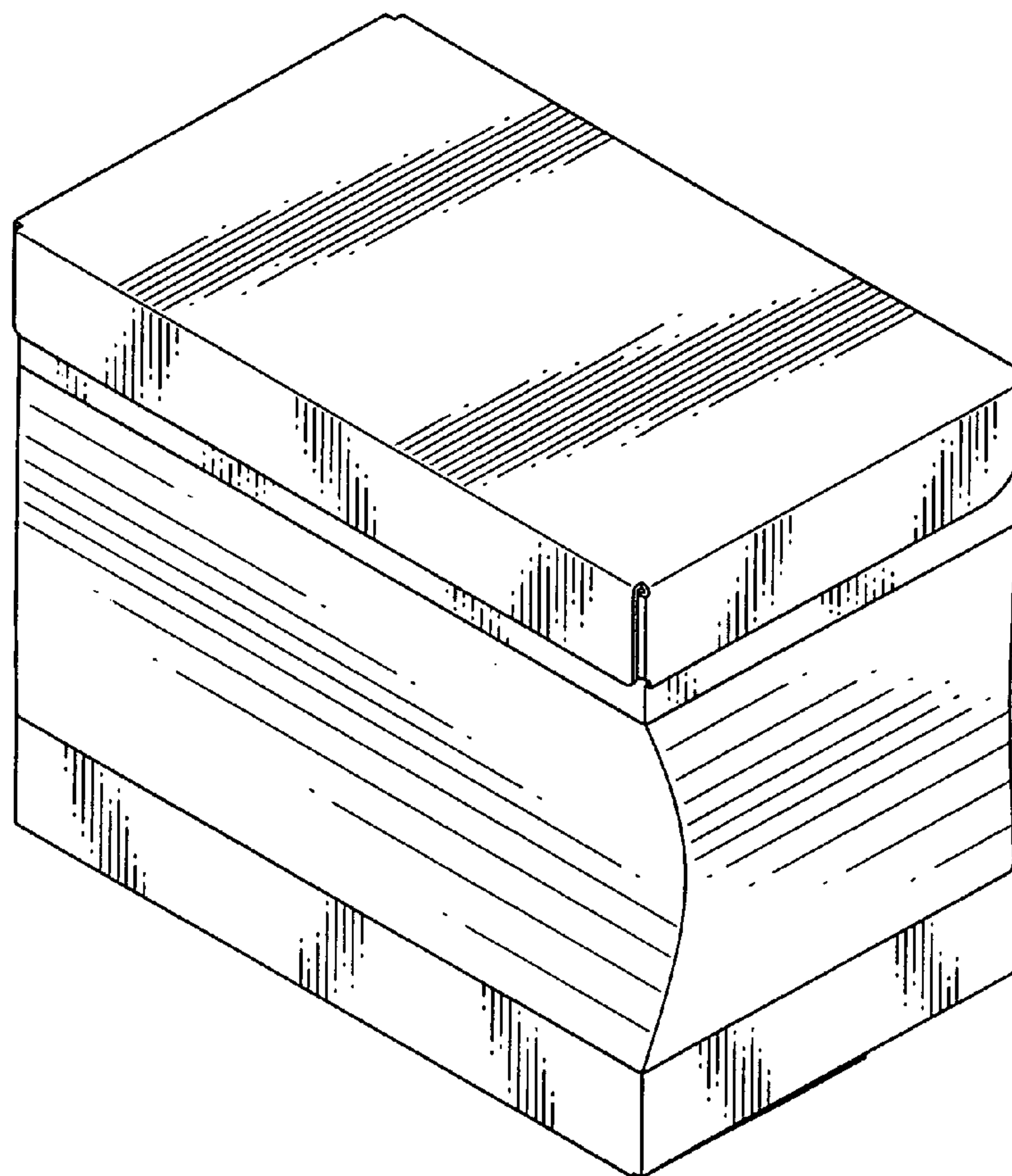
The broken lines showing of portions of the container are for
illustrative purposes only and forms no part of the claimed
design.

(56) **References Cited**

U.S. PATENT DOCUMENTS

D381,901 S * 8/1997 Alig et al. D9/414

1 Claim, 5 Drawing Sheets



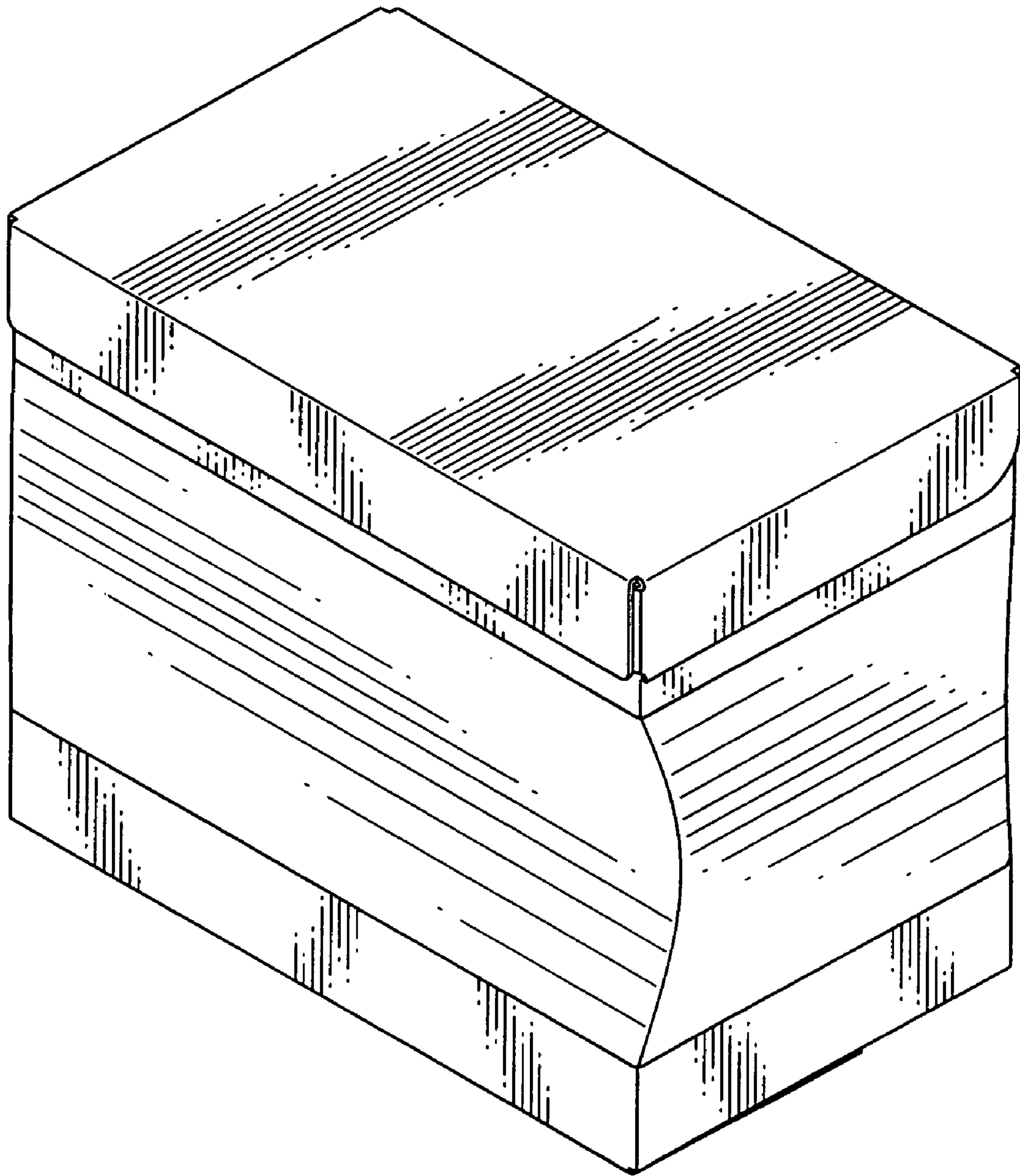


Fig. 1

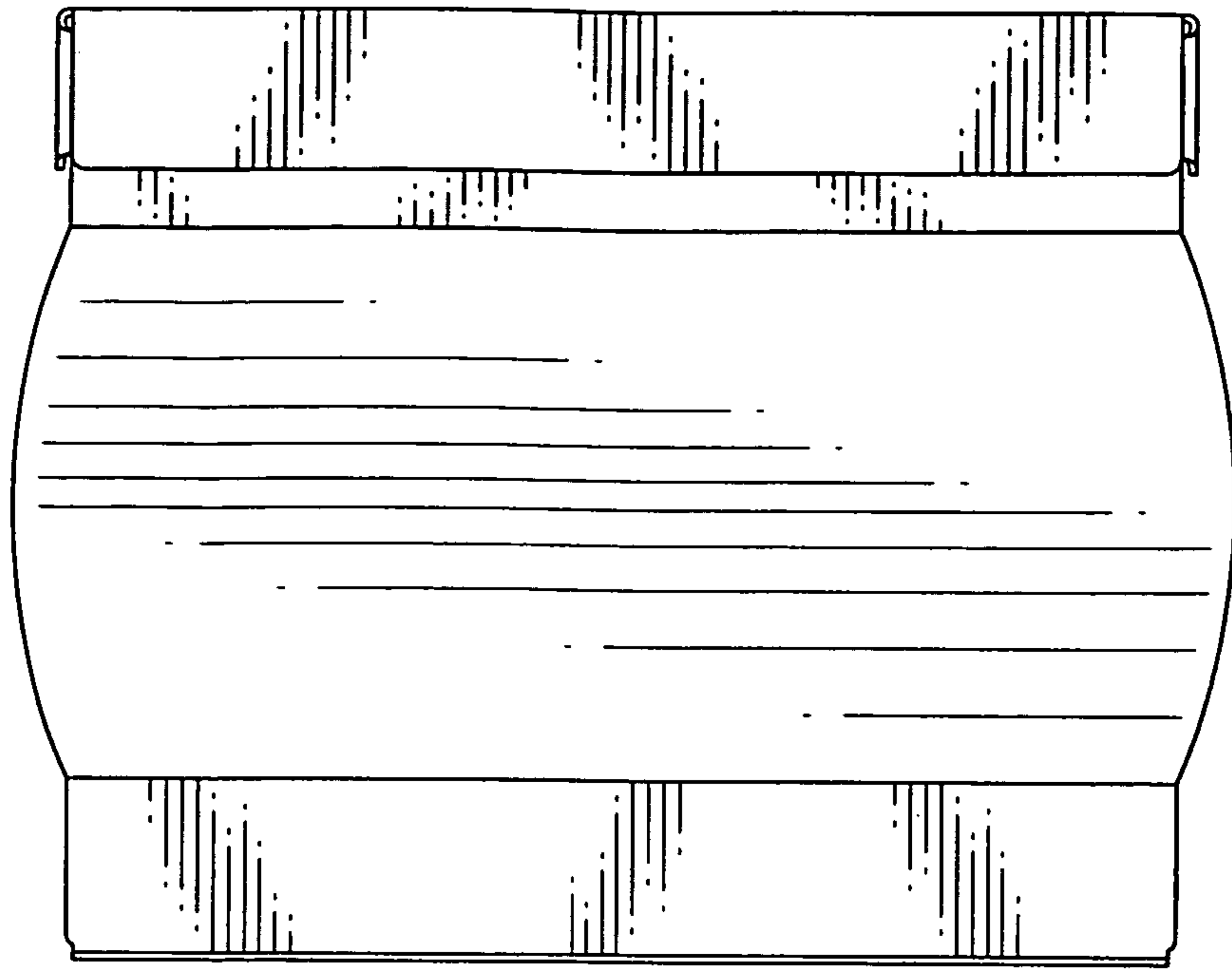


Fig. 2

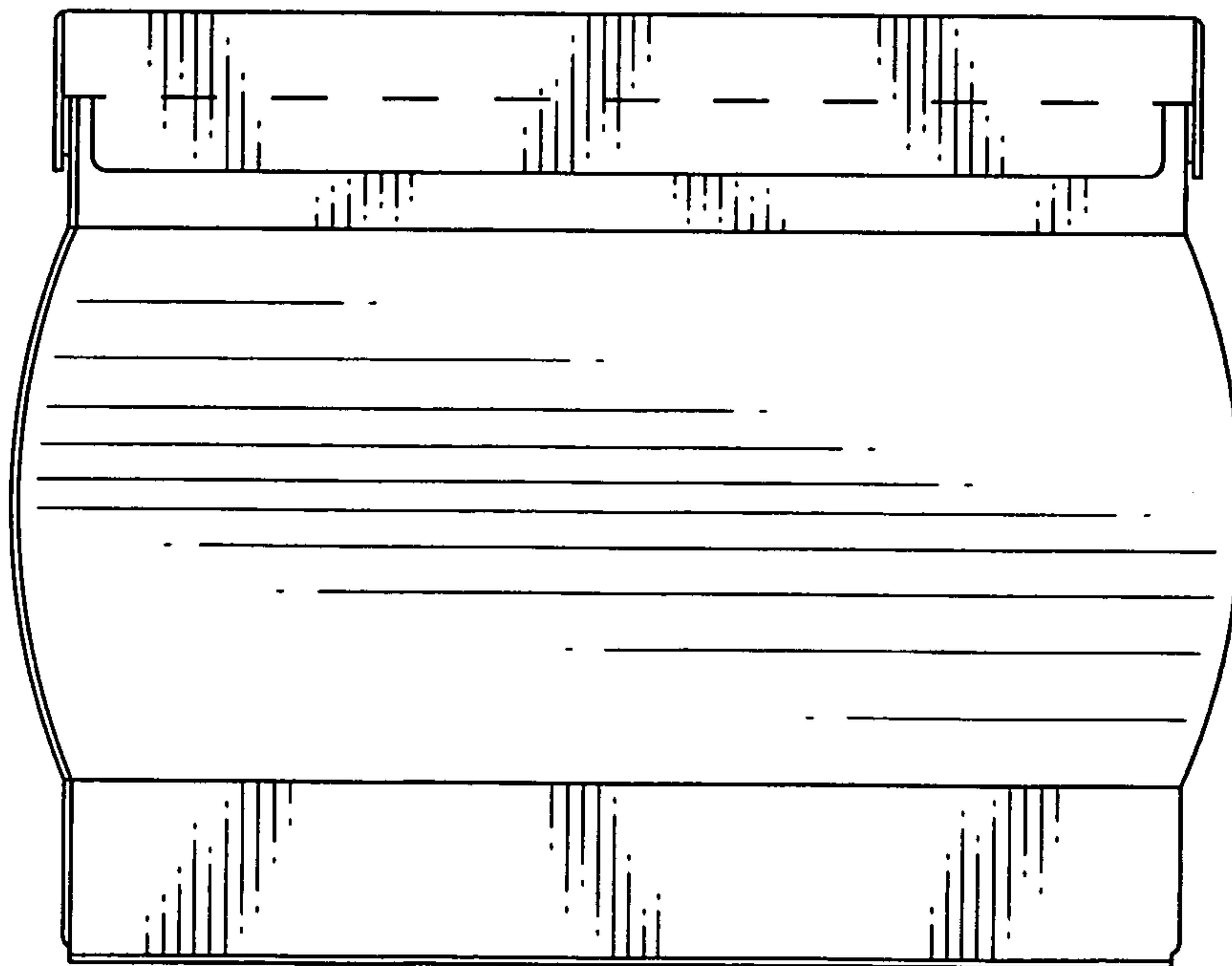


Fig. 3

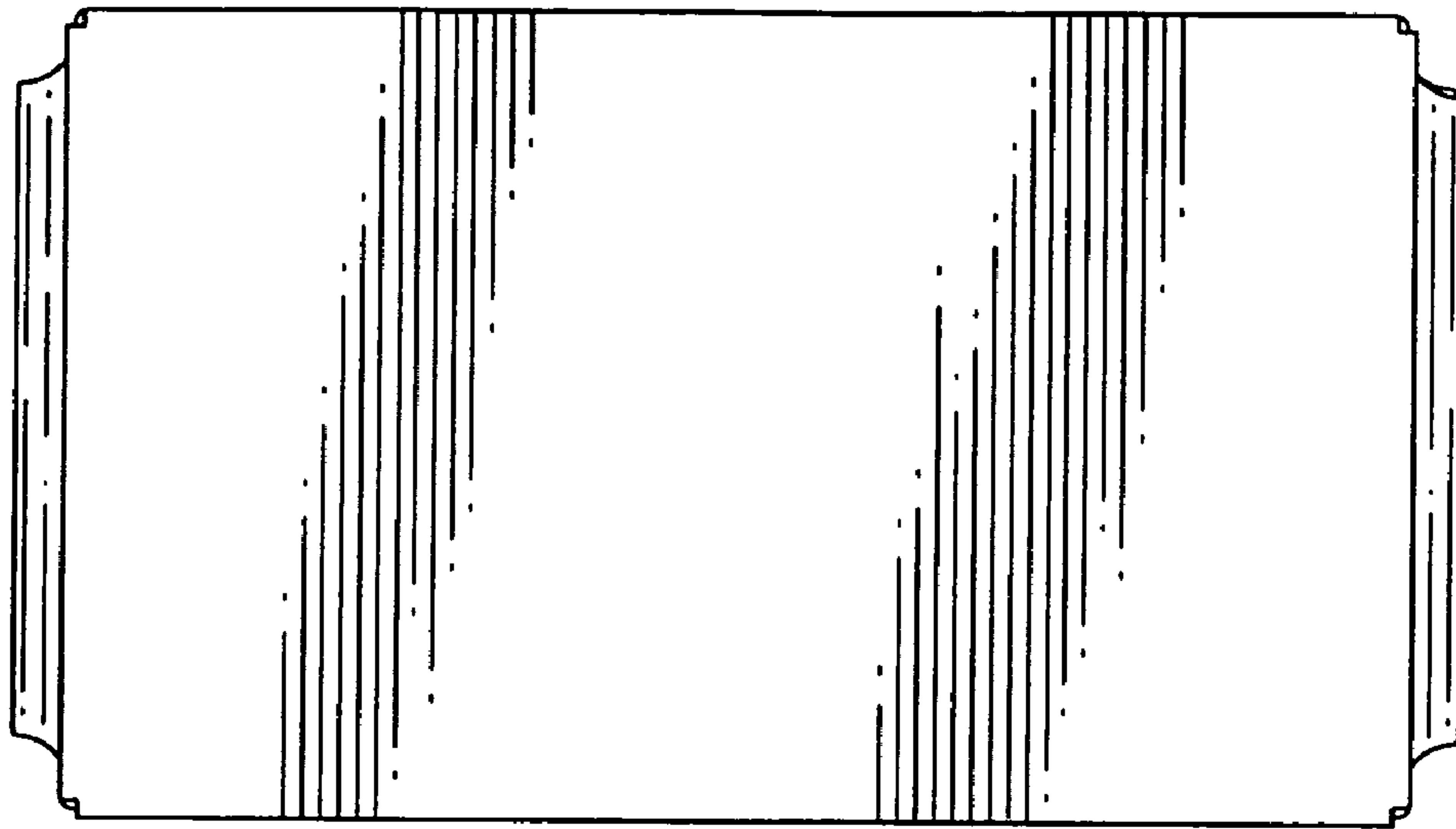


Fig. 4

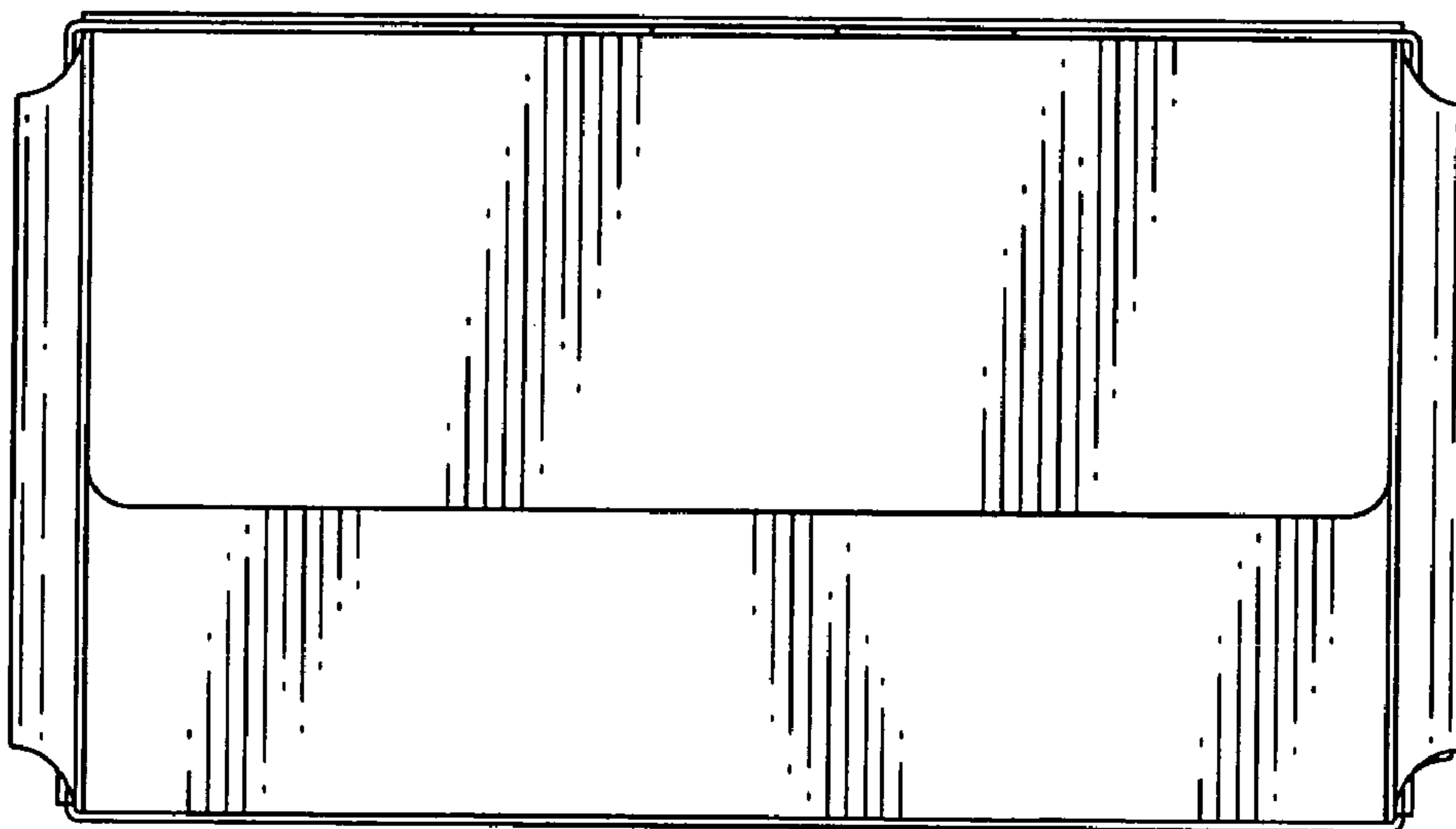


Fig. 5

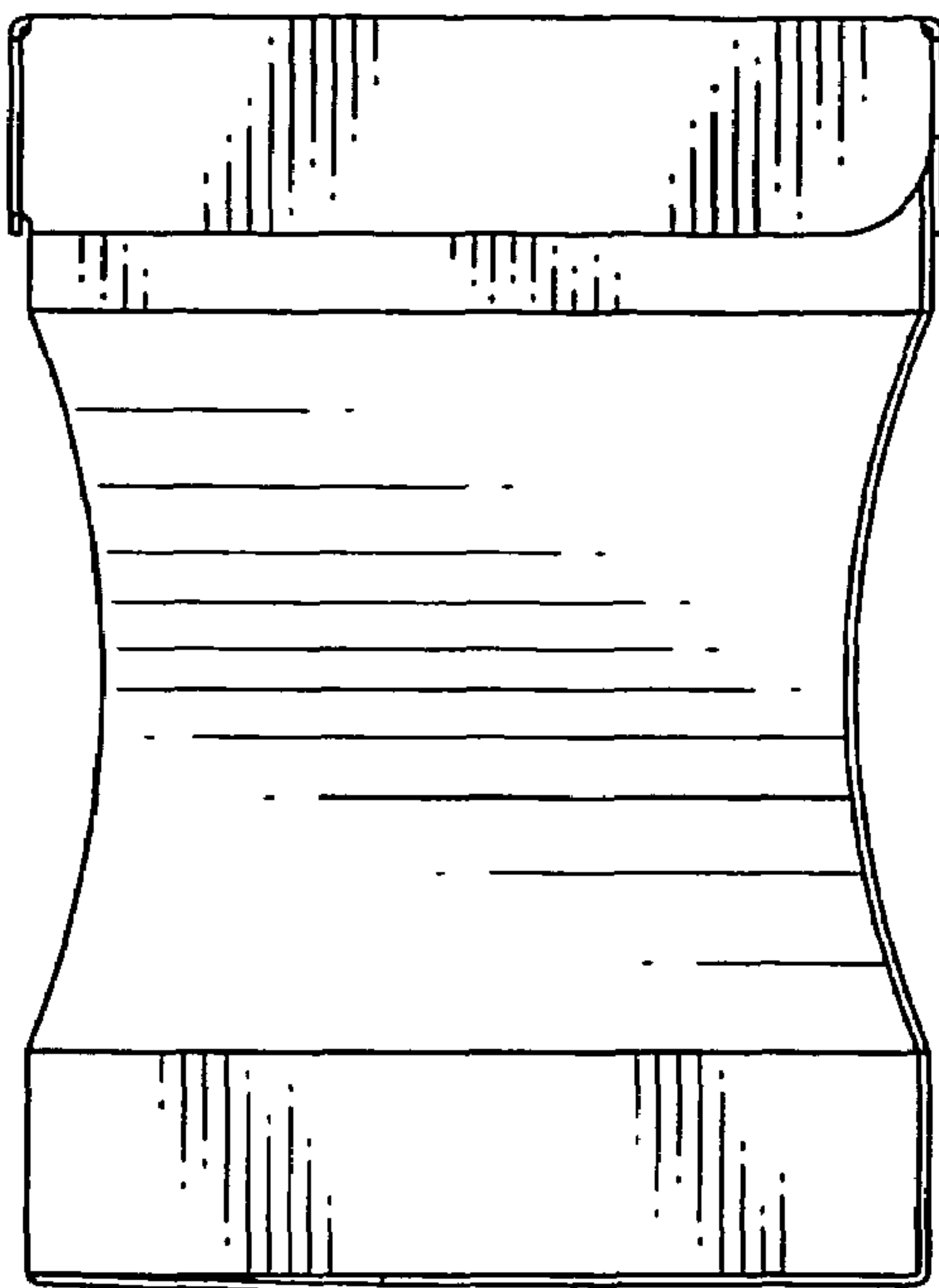


Fig. 6

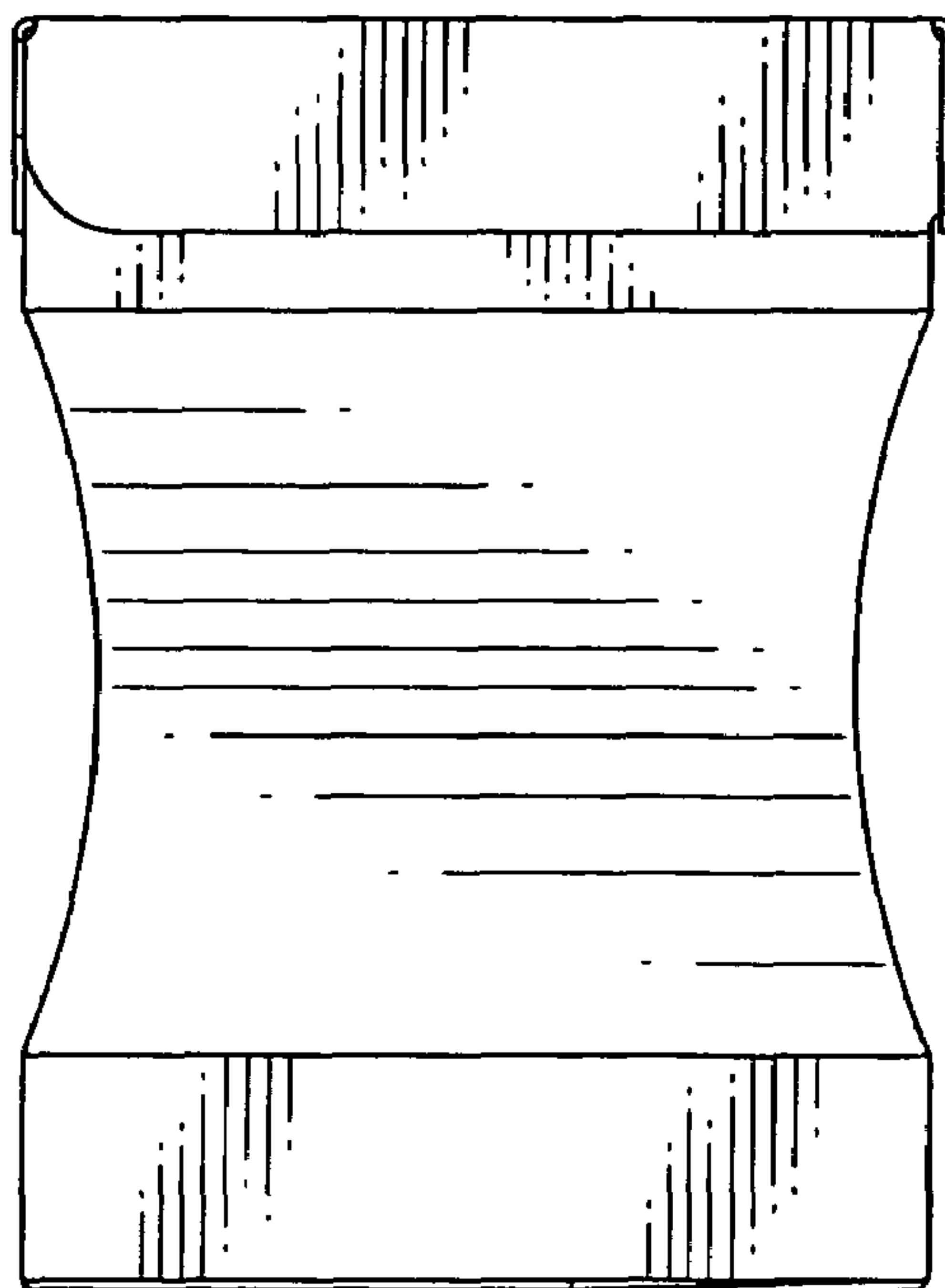


Fig. 7

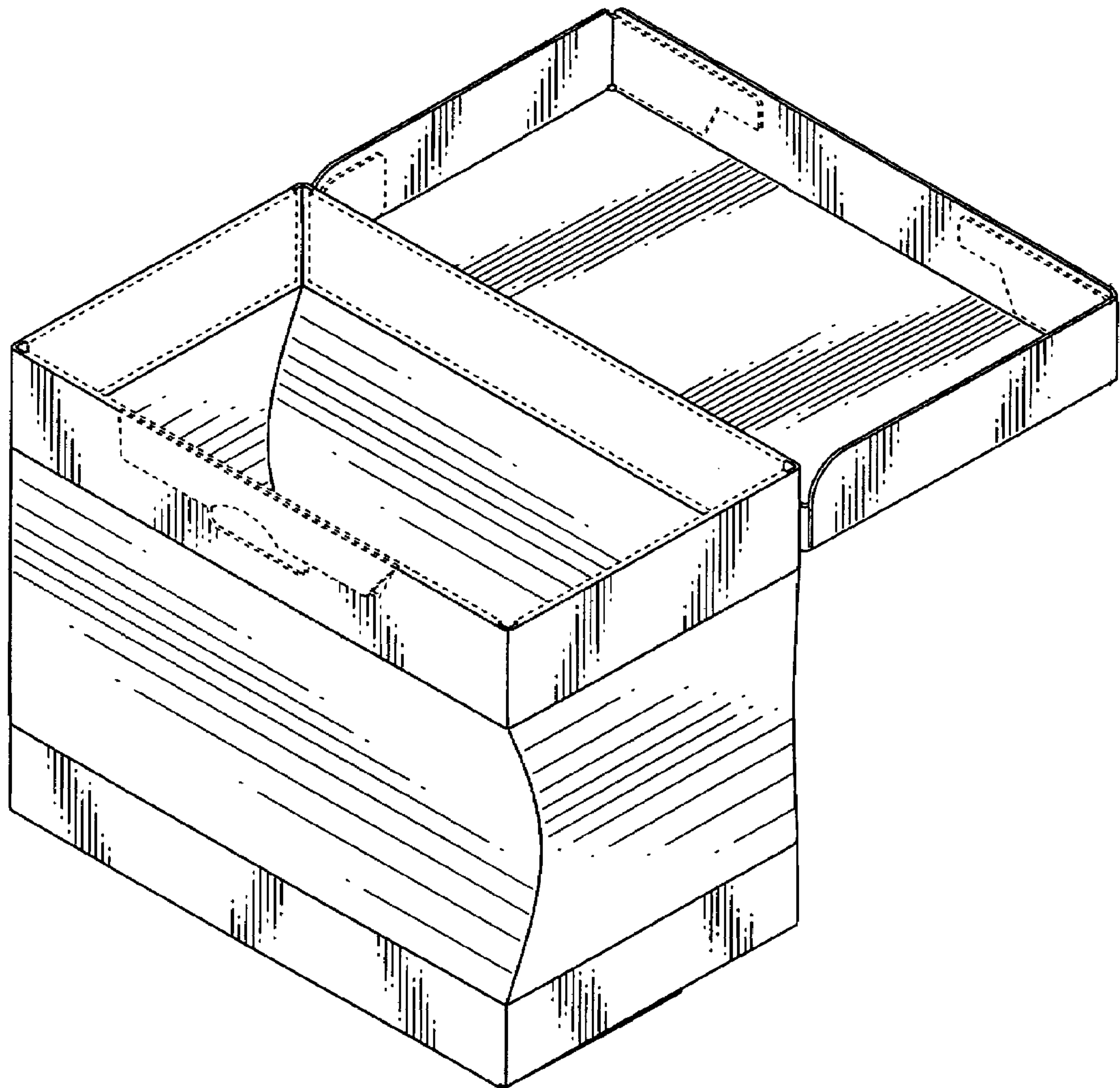


Fig. 8