



US00D552469S

(12) **United States Design Patent**
Harmon

(10) **Patent No.:** **US D552,469 S**

(45) **Date of Patent:** **** Oct. 9, 2007**

(54) **LAMP BASE DISPLAY**

(75) Inventor: **Don Harmon**, Jonesboro, AR (US)

(73) Assignee: **Jimco Lamp & Manufacturing Co.**,
Jonesboro, AR (US)

(**) Term: **14 Years**

(21) Appl. No.: **29/215,615**

(22) Filed: **Oct. 20, 2004**

(51) **LOC (8) Cl.** **09-03**

(52) **U.S. Cl.** **D9/425**

(58) **Field of Classification Search** D9/425,
D9/414, 415, 424, 428, 432, 501; 206/461-471,
206/495, 775-783, 822

See application file for complete search history.

(56) **References Cited**

U.S. PATENT DOCUMENTS

1,800,841 A	4/1931	Maston	
D127,331 S *	5/1941	Rosenfeld D9/503
3,809,226 A	5/1974	Ferrari	
4,030,603 A	6/1977	Angell	
4,030,604 A	6/1977	Hildebrand et al.	
4,099,612 A	7/1978	Hanson	
4,285,432 A	8/1981	de Villers et al.	
5,533,797 A	7/1996	Gelber	
5,890,593 A *	4/1999	Humphrey 206/471
5,947,291 A	9/1999	Humphrey	

D447,408 S *	9/2001	Humphrey D9/415
6,325,209 B1	12/2001	Humphrey	
D454,490 S *	3/2002	Humphrey D9/415
D455,650 S *	4/2002	Humphrey D9/415
6,419,085 B1	7/2002	Humphrey	
D462,265 S *	9/2002	Humphrey D9/418
D479,463 S *	9/2003	Humphrey D9/424
D482,273 S	11/2003	Humphrey	

* cited by examiner

Primary Examiner—Stella Reid

Assistant Examiner—Derrick Holland

(74) *Attorney, Agent, or Firm*—Speed Law Firm; Kyla D. Cummings; Gary N. Speed

(57) **CLAIM**

The ornamental design for a lamp base display, as shown and described.

DESCRIPTION

FIG. 1 is a perspective view of a lamp base display showing my new design;

FIG. 2 is a rear view thereof;

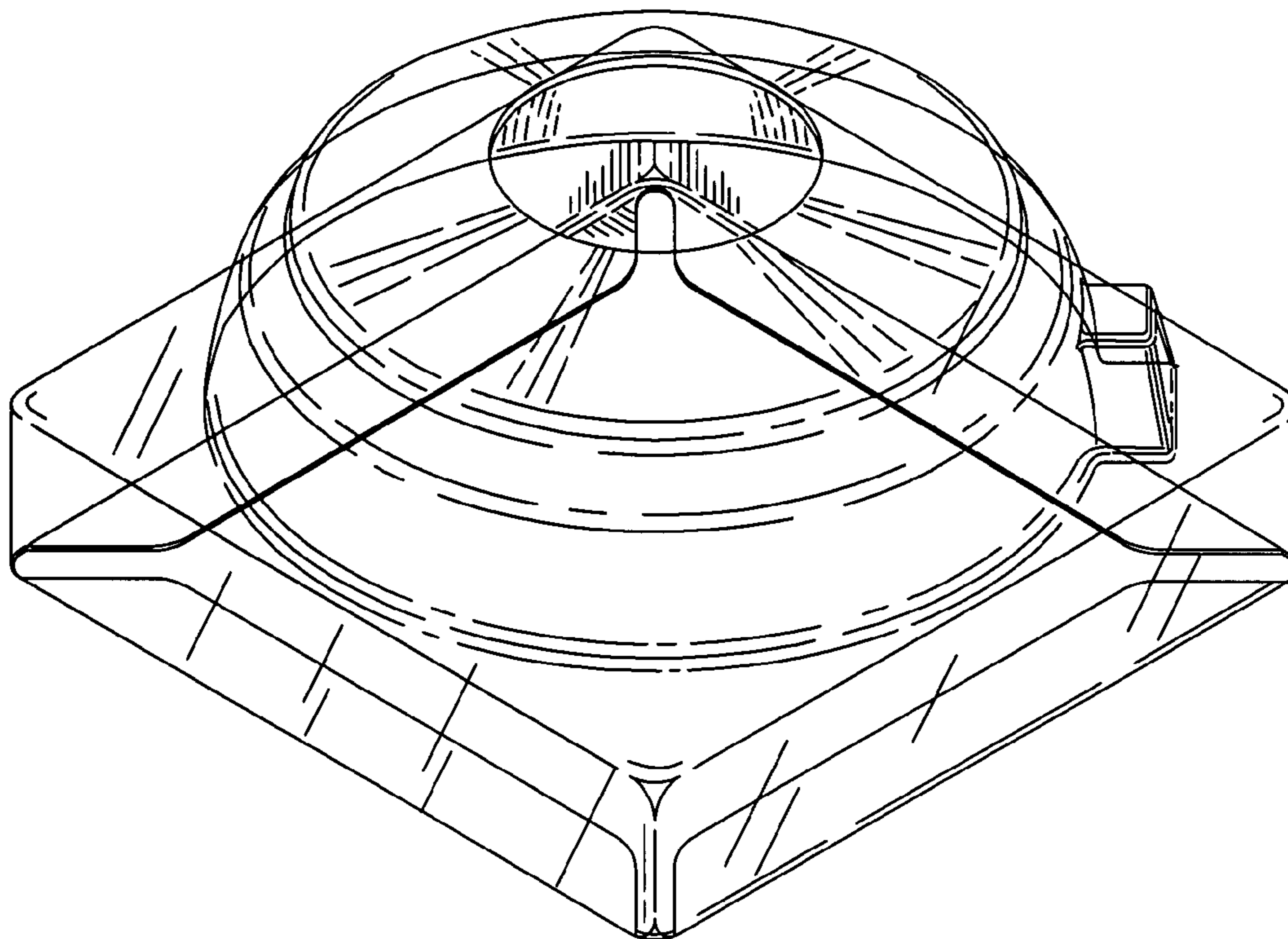
FIG. 3 is a front view thereof;

FIG. 4 is a side view thereof;

FIG. 5 is a top plan view thereof; and,

FIG. 6 is a bottom plan view thereof.

1 Claim, 5 Drawing Sheets



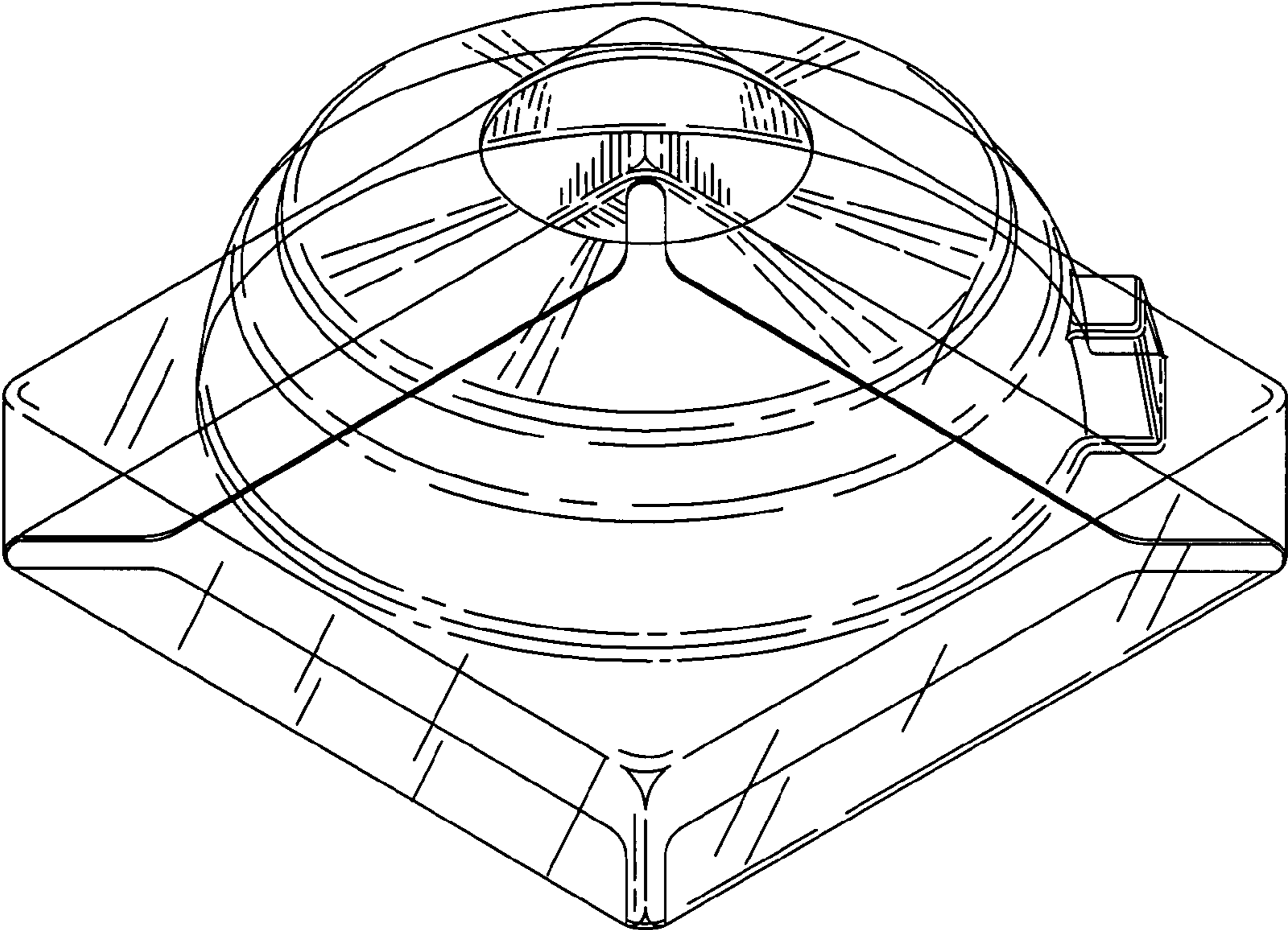


Fig. 1

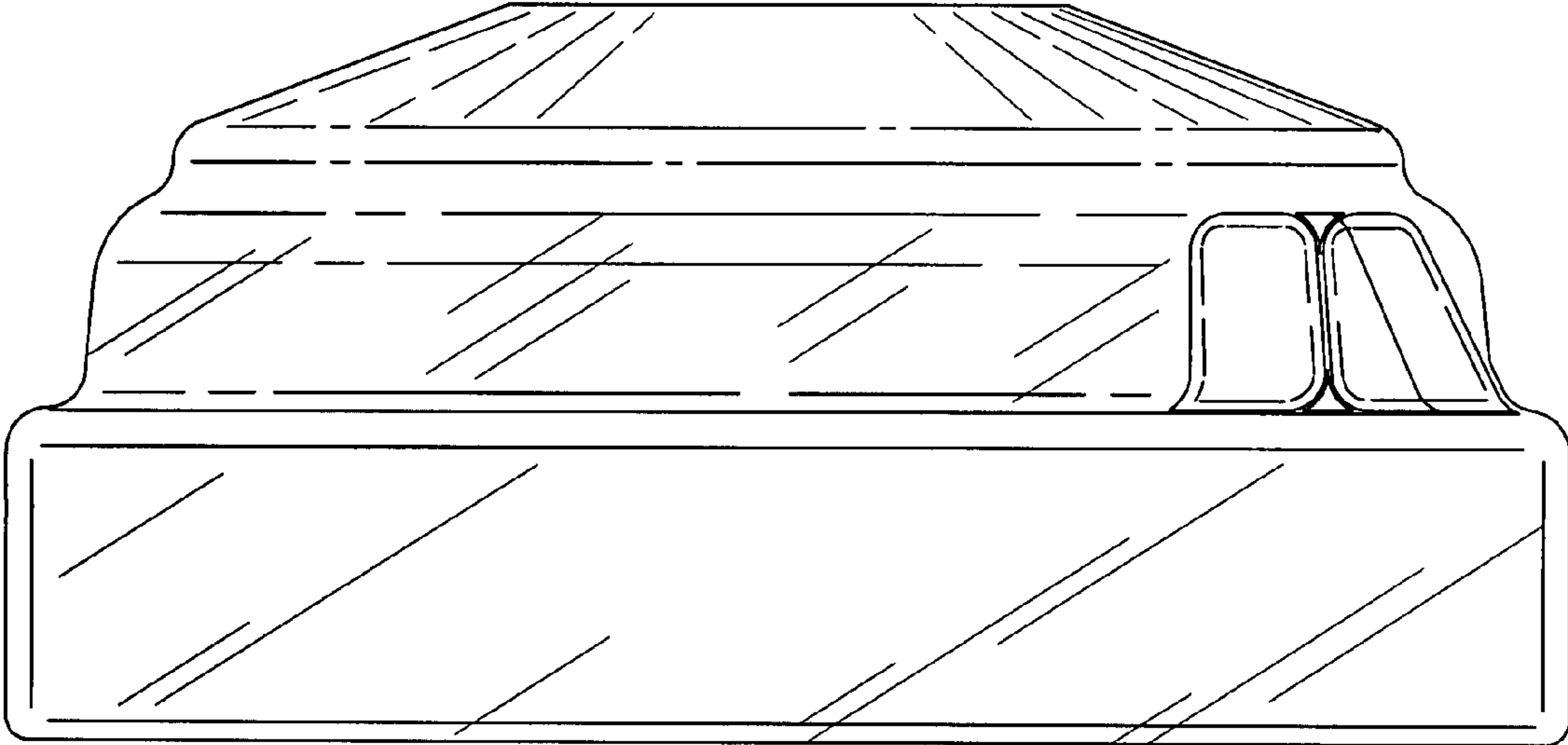


Fig. 2

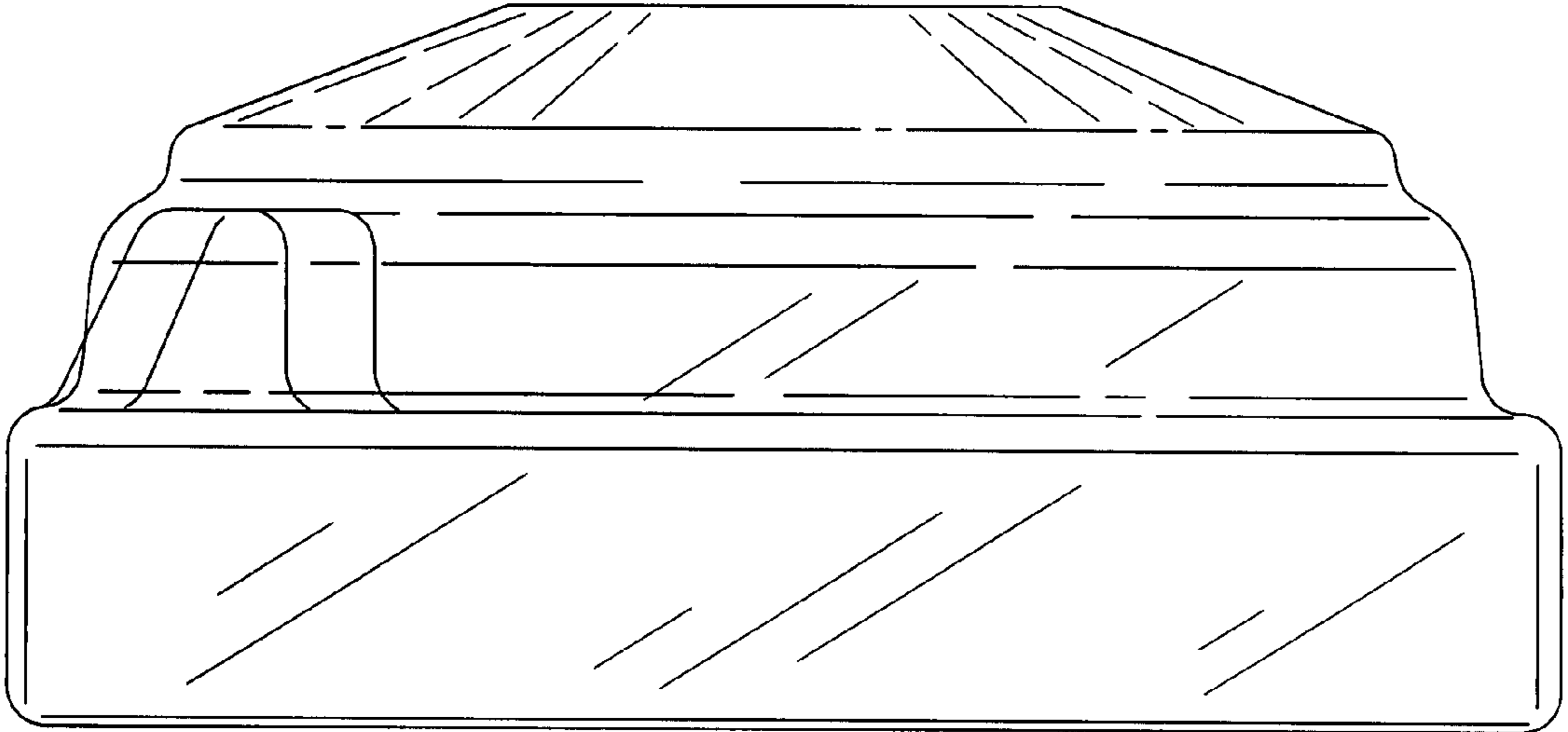


Fig. 3

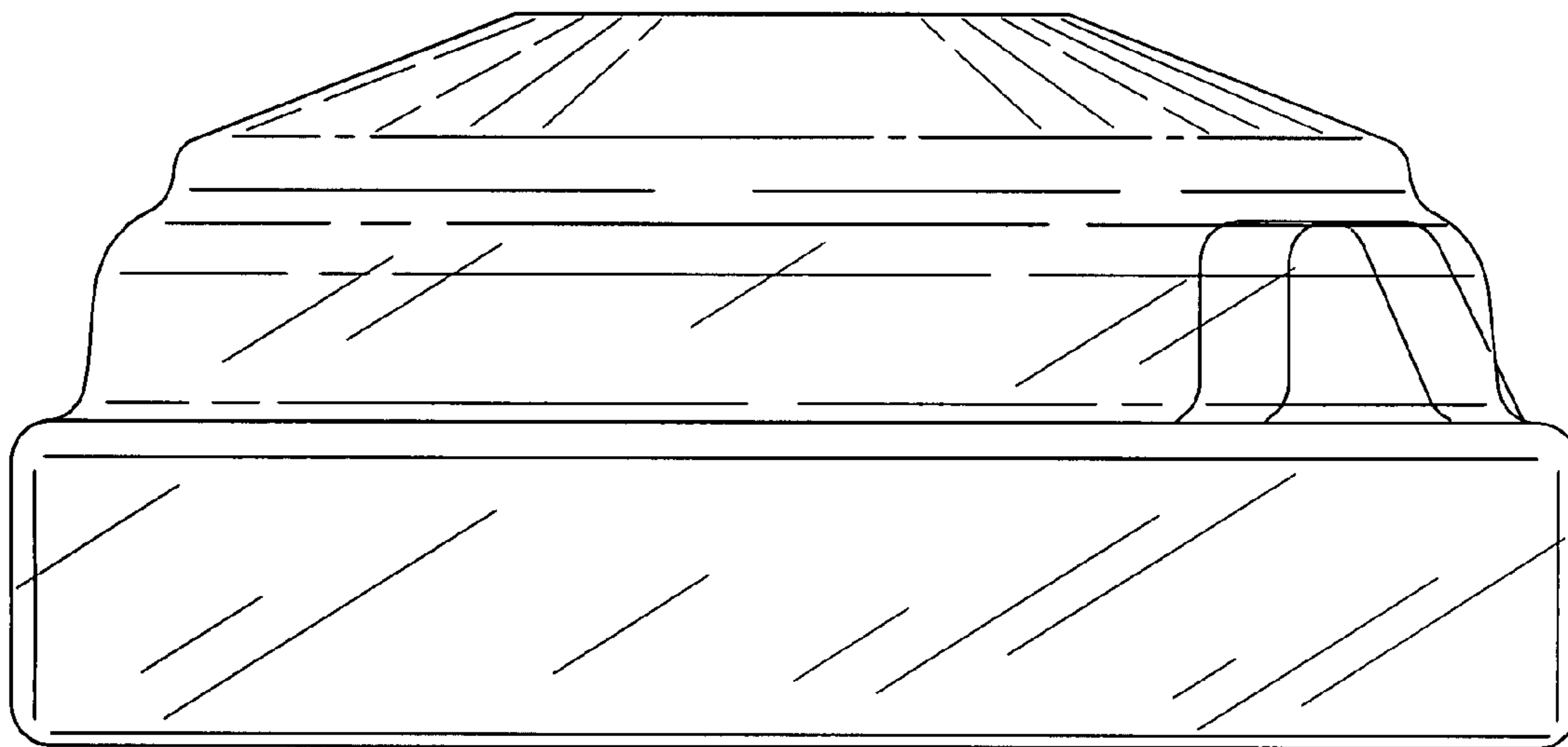


Fig. 4

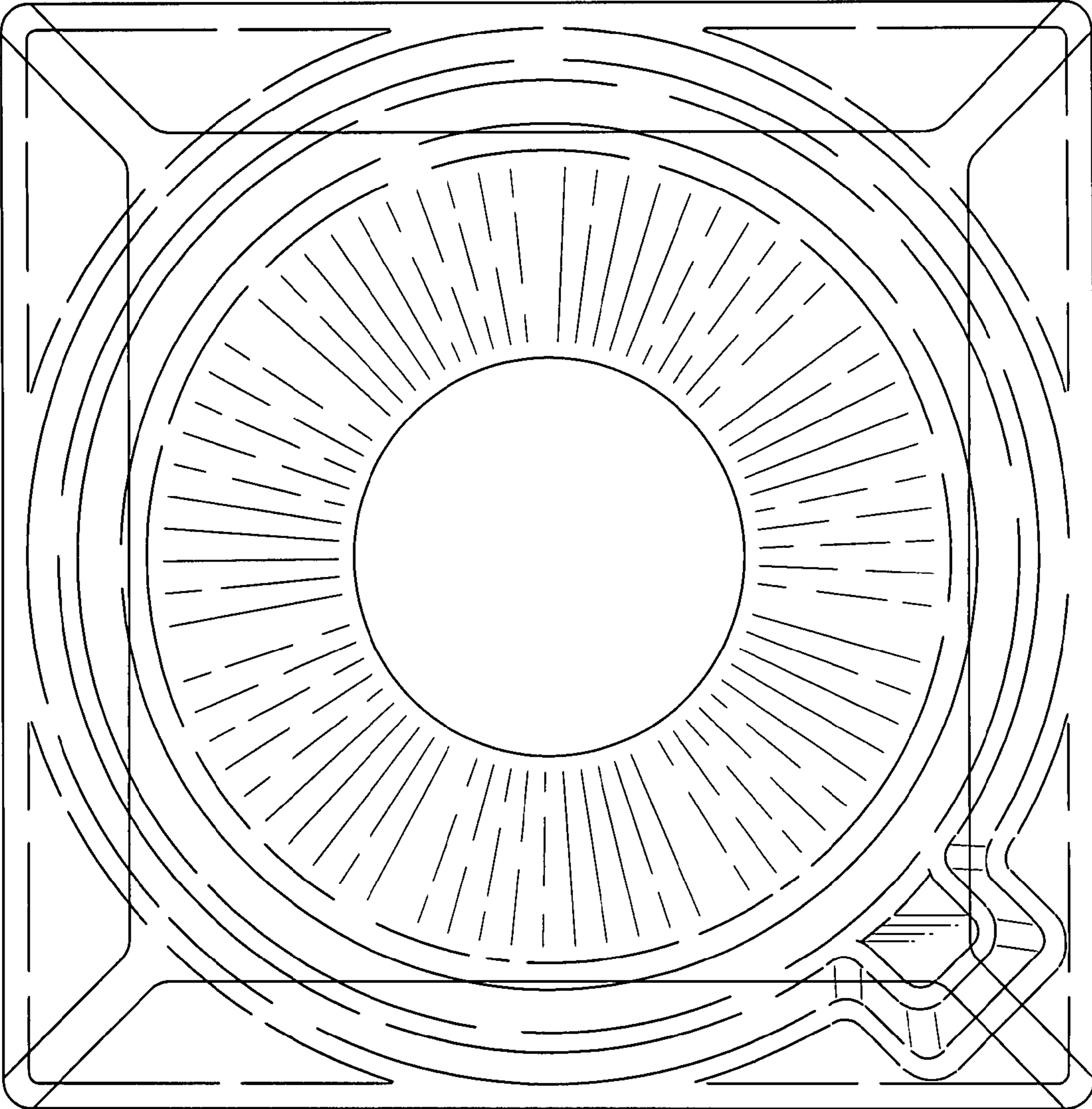


Fig. 5

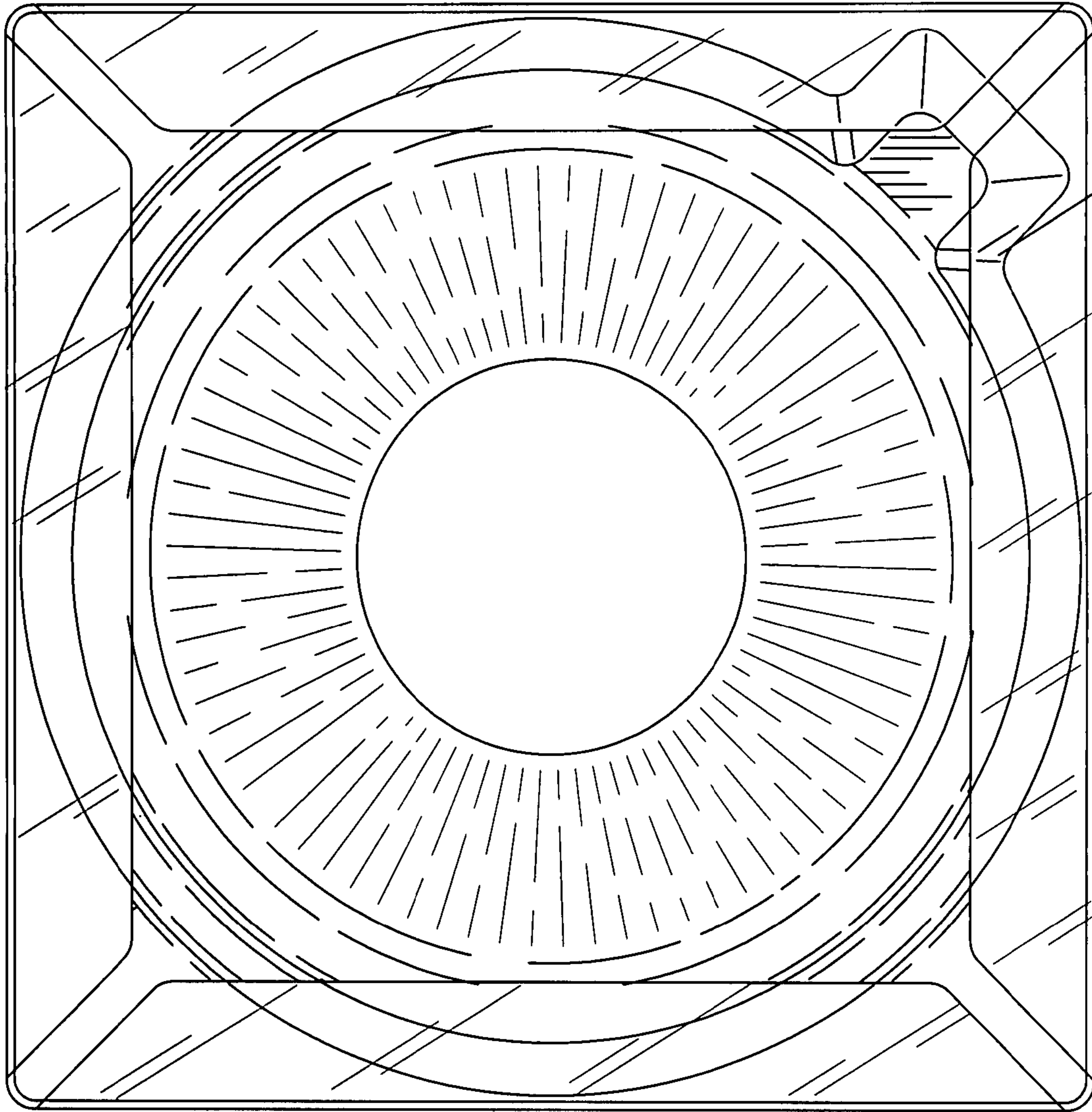


Fig. 6