



US00D552468S

(12) **United States Design Patent**
Seum et al.

(10) **Patent No.:** **US D552,468 S**

(45) **Date of Patent:** **** Oct. 9, 2007**

(54) **TABLET CONTAINER**

2005/0205593 A1 9/2005 Young et al.
2006/0076352 A1* 4/2006 Peterson et al. 220/254.3

(75) Inventors: **Susan Marie Seum**, Cincinnati, OH (US); **Demetrius Michael Romanos**, Cincinnati, OH (US); **Emmanuel Venci Tanghal**, Mason, OH (US); **David Lewis Hunt**, Cincinnati, OH (US)

* cited by examiner

Primary Examiner—Selina Sikder

Assistant Examiner—Thomas J Johannes

(74) *Attorney, Agent, or Firm*—Julia A. Glazer; Kim William Zerby

(73) Assignee: **The Procter & Gamble Company**, Cincinnati, OH (US)

(**) Term: **14 Years**

(21) Appl. No.: **29/265,522**

(22) Filed: **Sep. 1, 2006**

(51) **LOC (8) Cl.** **09-03**

(52) **U.S. Cl.** **D9/420**

(58) **Field of Classification Search** D9/420–423, D9/426, 432; D3/257; D7/629; D28/76, D28/77; D34/11; 222/556; 229/225–234, 229/125.09; 206/37, 540, 564, 566; 220/254.3, 220/259.1, 713, 819

See application file for complete search history.

(56) **References Cited**

U.S. PATENT DOCUMENTS

D271,169 S *	11/1983	Hollenbeck	D7/538
D389,738 S *	1/1998	Hlobil et al.	D9/432
D407,974 S *	4/1999	Zimmer et al.	D9/428
D419,441 S *	1/2000	Gaffney et al.	D9/423
D425,417 S *	5/2000	Gaffney et al.	D9/423
D449,521 S *	10/2001	Pinkus et al.	D9/424
D467,799 S *	12/2002	Persson	D9/420
D469,320 S *	1/2003	Pettaweebuncha	D7/629
D473,461 S *	4/2003	Joubert	D9/423
6,761,279 B1 *	7/2004	Martin et al.	220/258.2
D504,318 S *	4/2005	Lane et al.	D9/529
D543,111 S *	5/2007	Hoglund	D9/504

(57) **CLAIM**

The ornamental design for a tablet container, as shown and described.

DESCRIPTION

FIG. 1 is a perspective view of a tablet container showing the lid in a closed position.

FIG. 2 is a front view of the tablet container of FIG. 1.

FIG. 3 is a rear view of the tablet container of FIG. 1.

FIG. 4 is a left side view of the tablet container of FIG. 1.

FIG. 5 is a right side view of the tablet container of FIG. 1.

FIG. 6 is a top view of the tablet container of FIG. 1.

FIG. 7 is a bottom view of the tablet container of FIG. 1.

FIG. 8 is a perspective view of a tablet container showing the lid in an open position.

FIG. 9 is a front view of the tablet container of FIG. 8.

FIG. 10 is a rear view of the tablet container of FIG. 8.

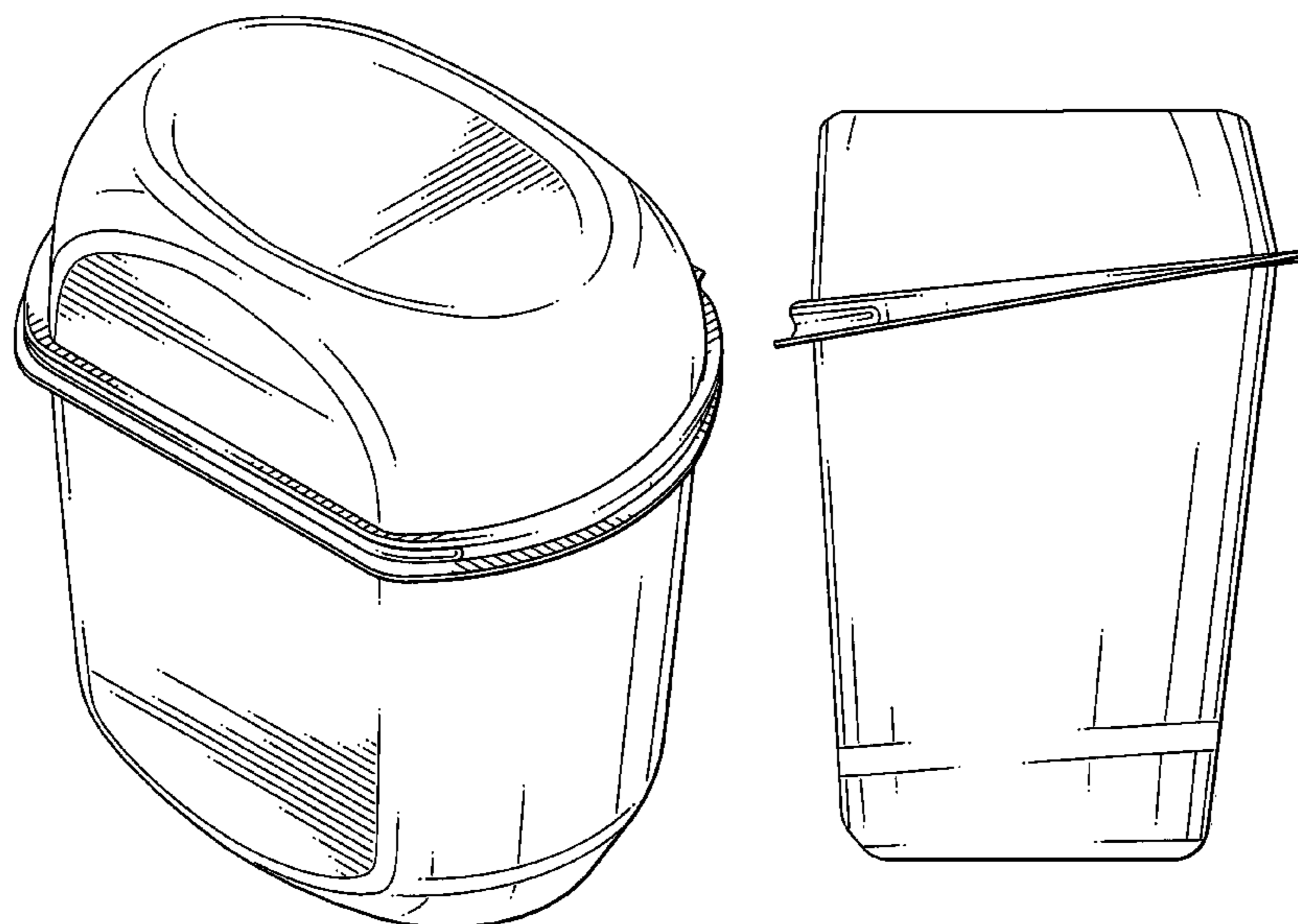
FIG. 11 is a left side view of the tablet container of FIG. 8.

FIG. 12 is a right side view of the tablet container of FIG. 8.

FIG. 13 is a top view of the tablet container of FIG. 8; and,

FIG. 14 is a bottom view of the tablet container of FIG. 8.

1 Claim, 11 Drawing Sheets



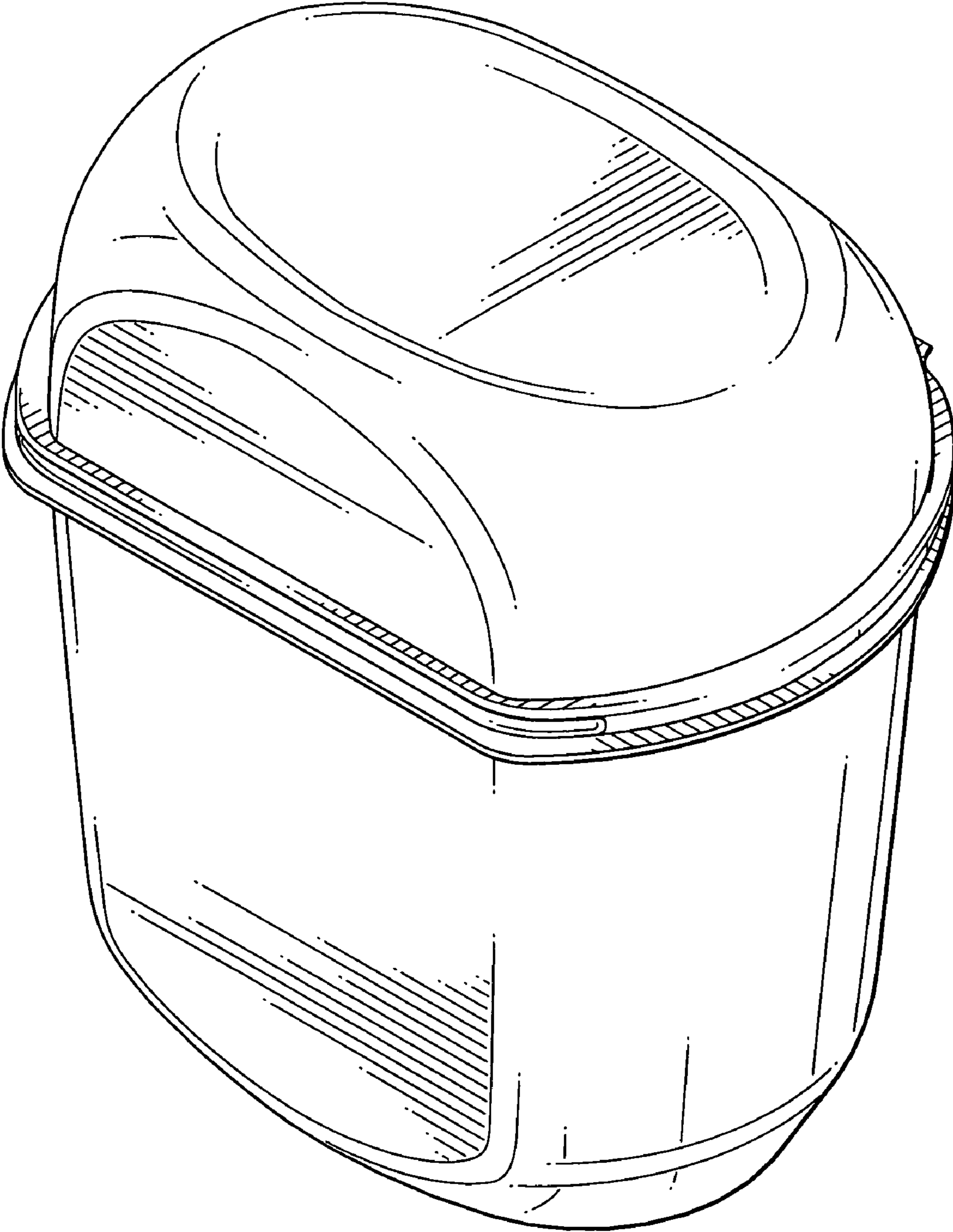


FIG. 1

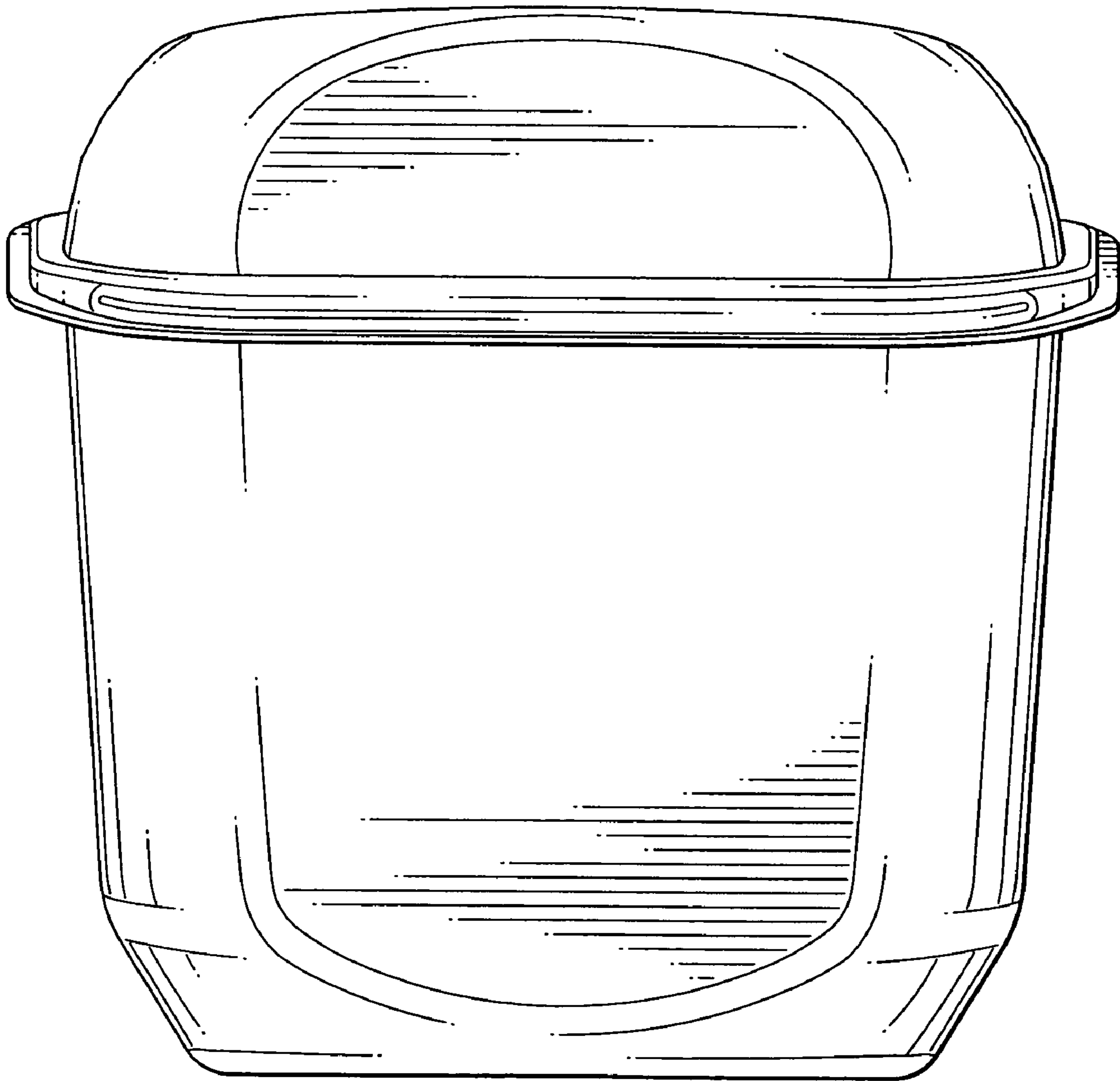


FIG. 2

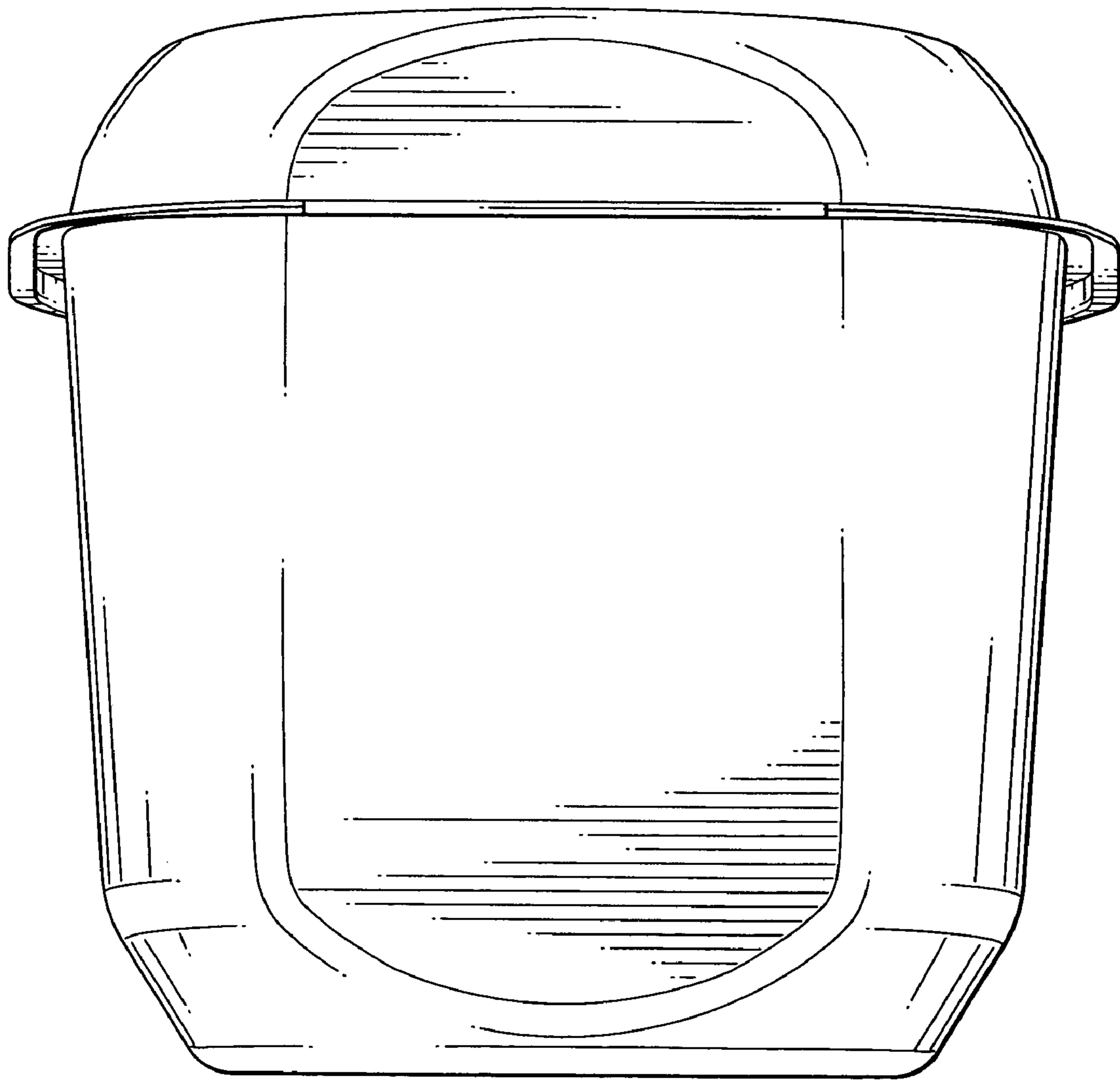


FIG. 3

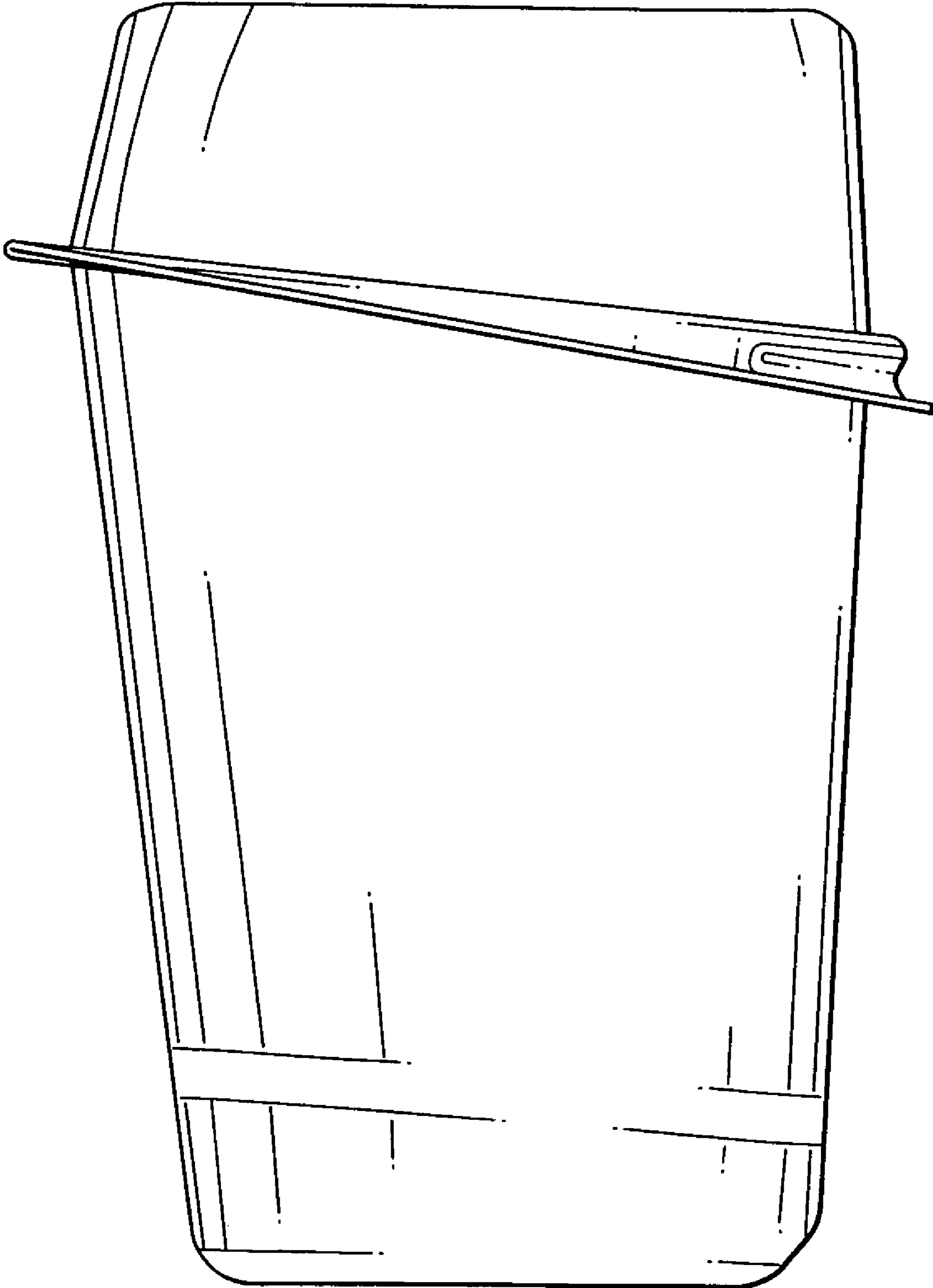


FIG. 4

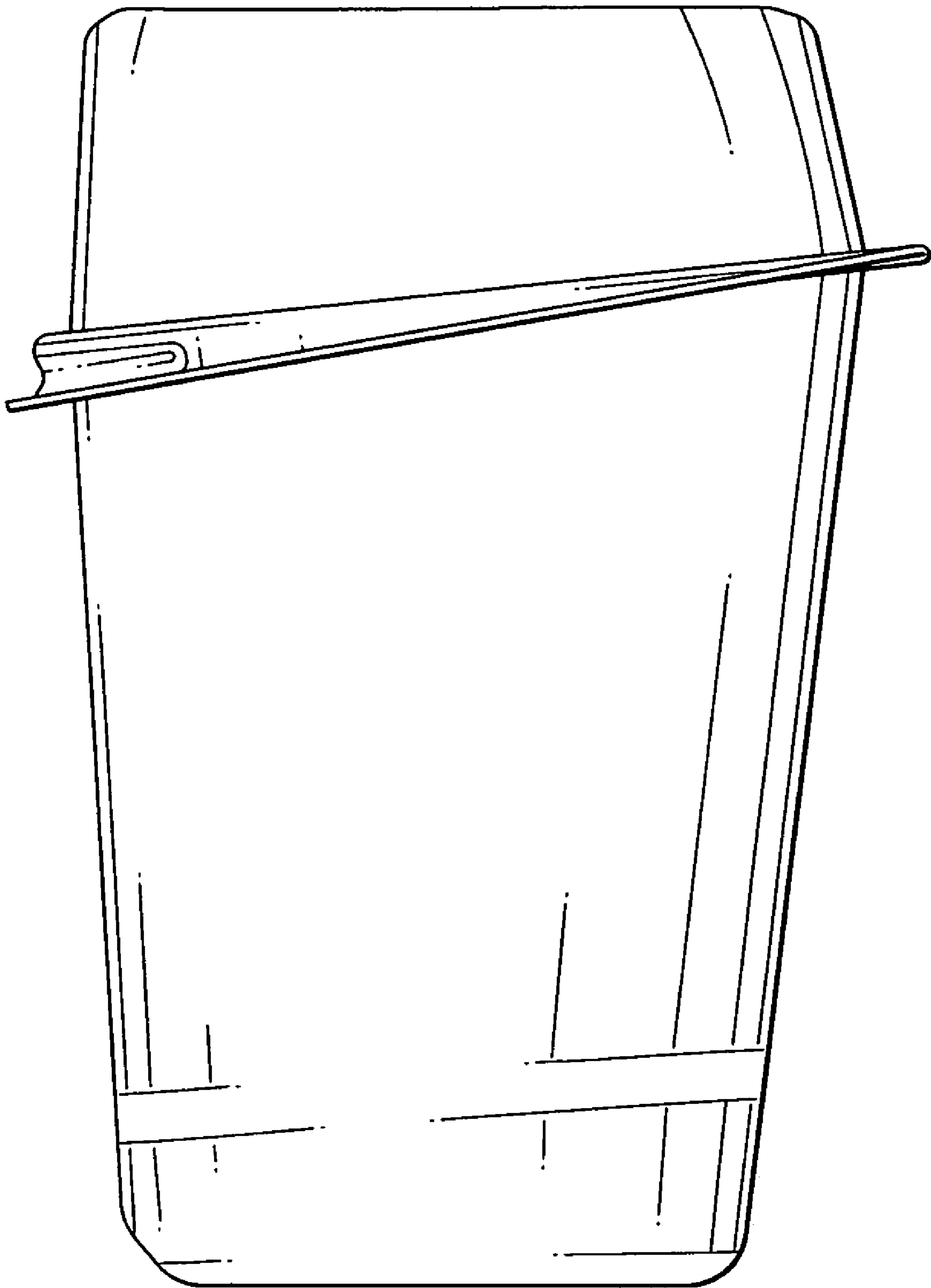


FIG. 5

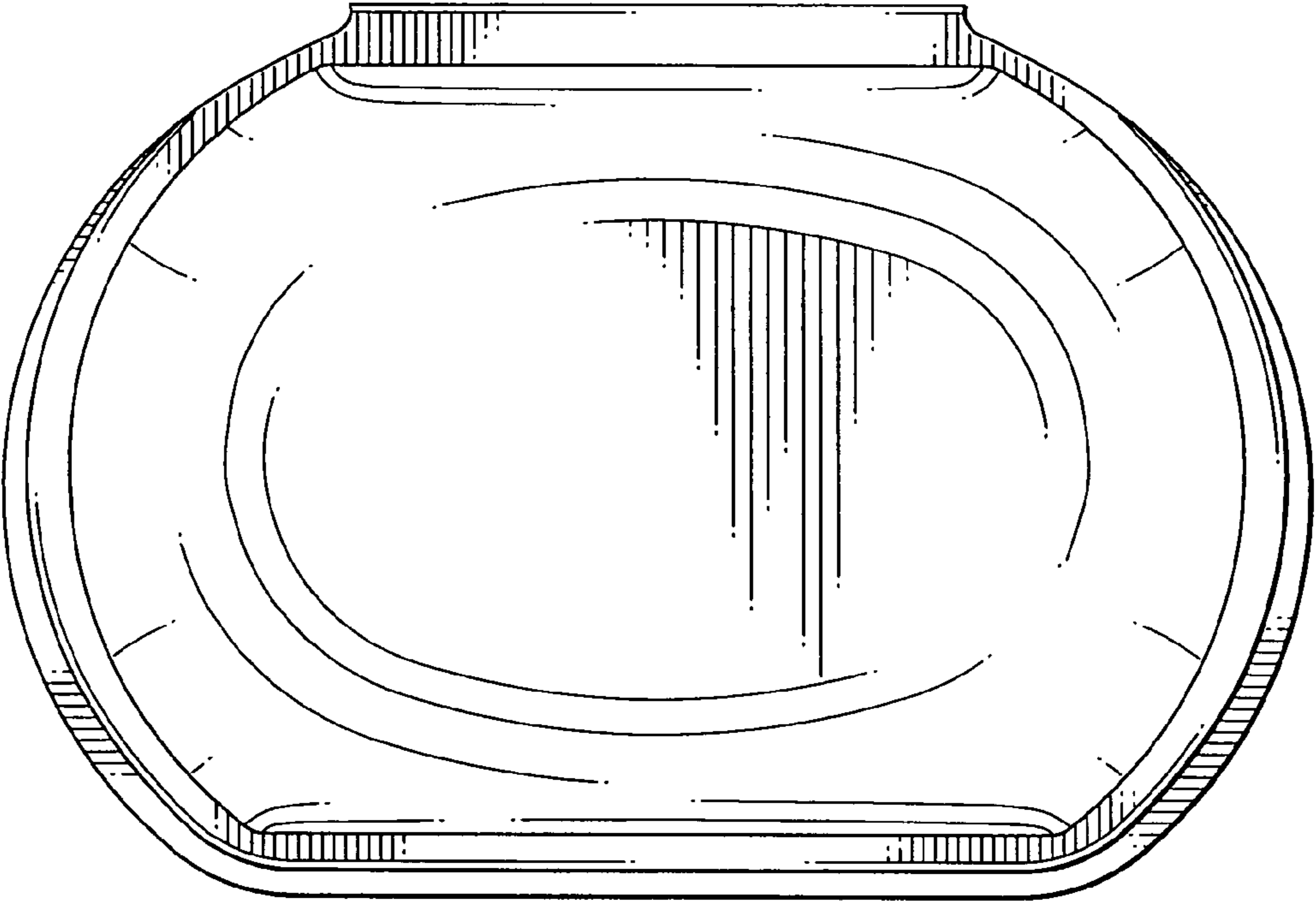


FIG. 6

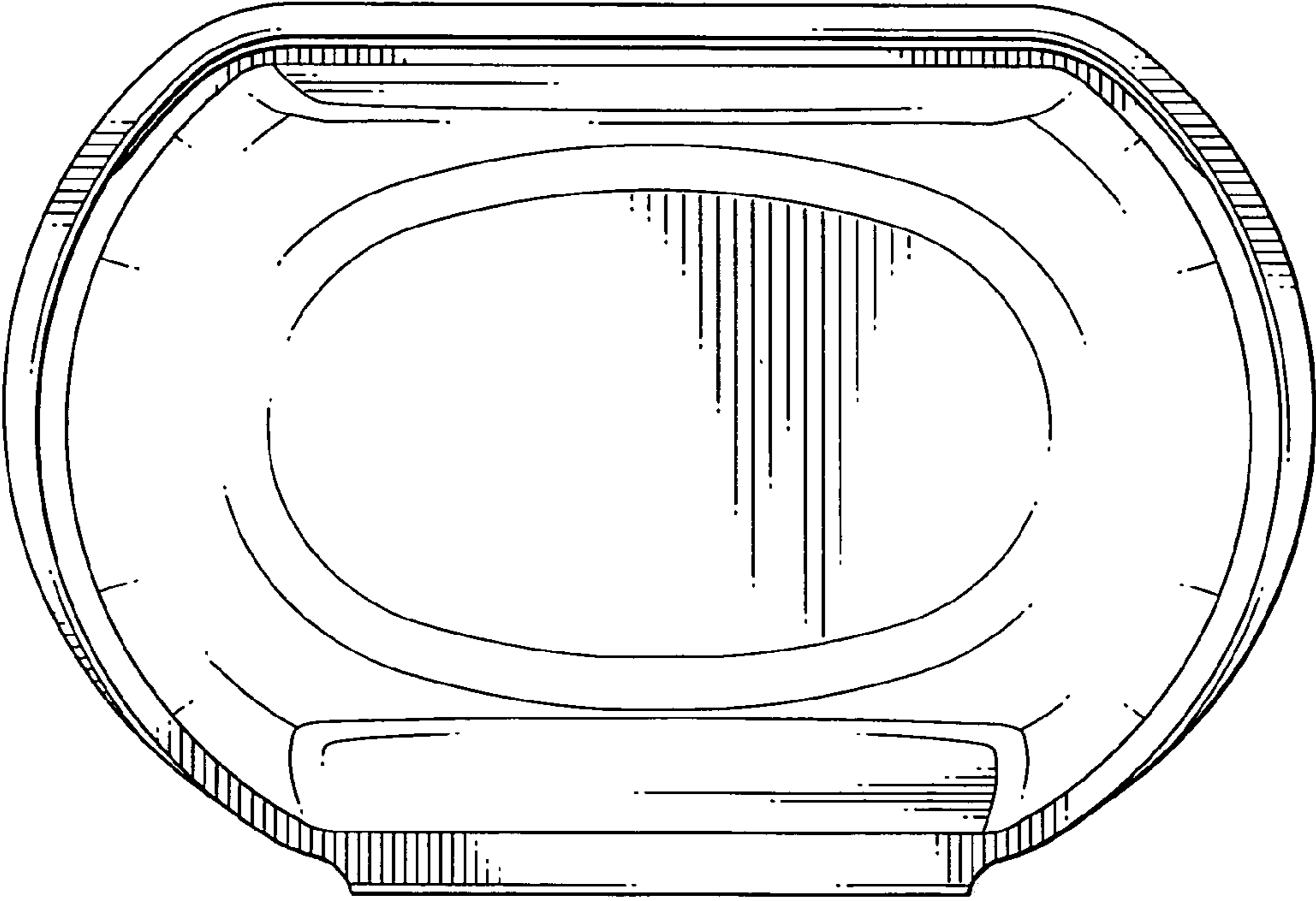


FIG. 7

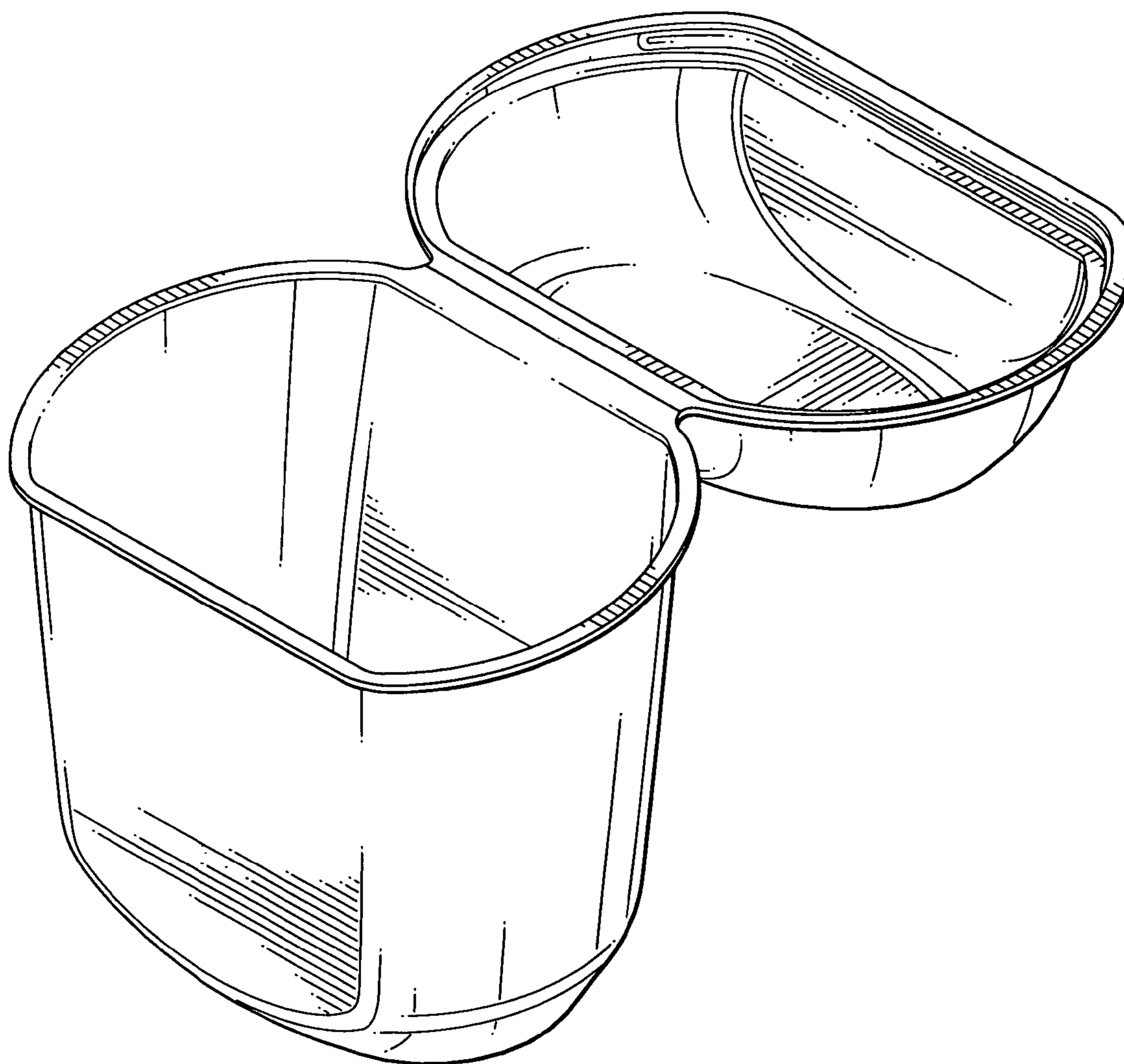


FIG. 8

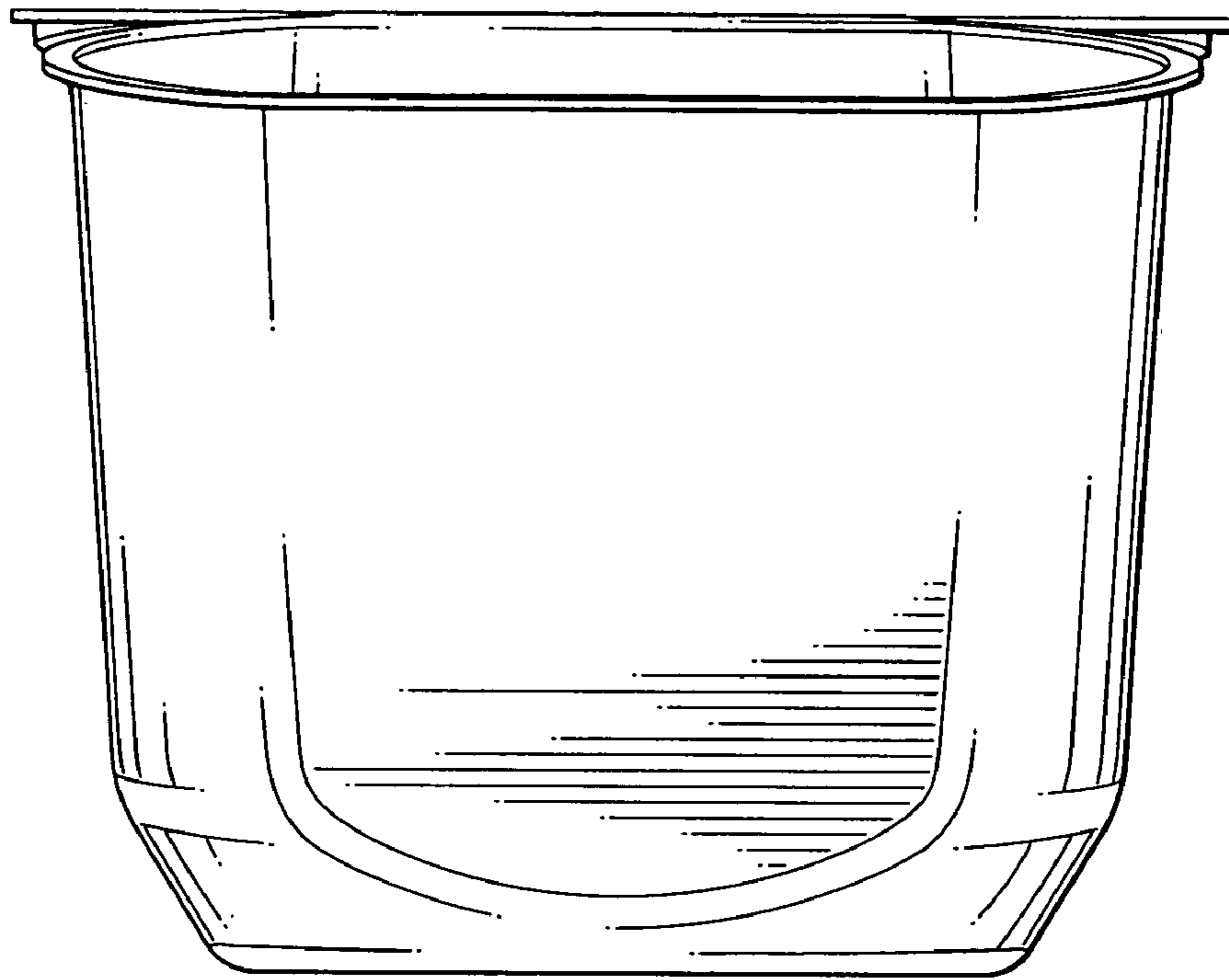


FIG. 9

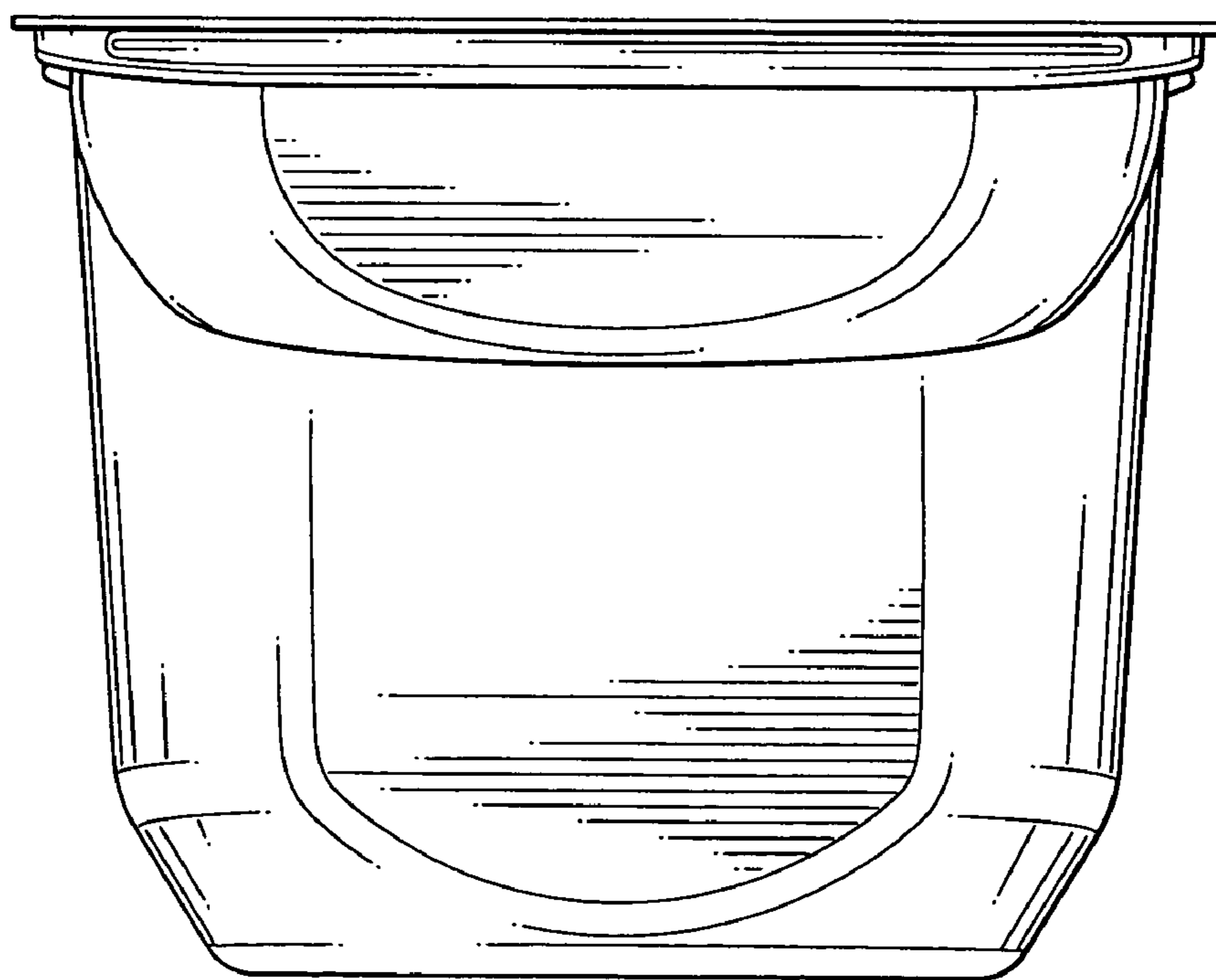


FIG. 10

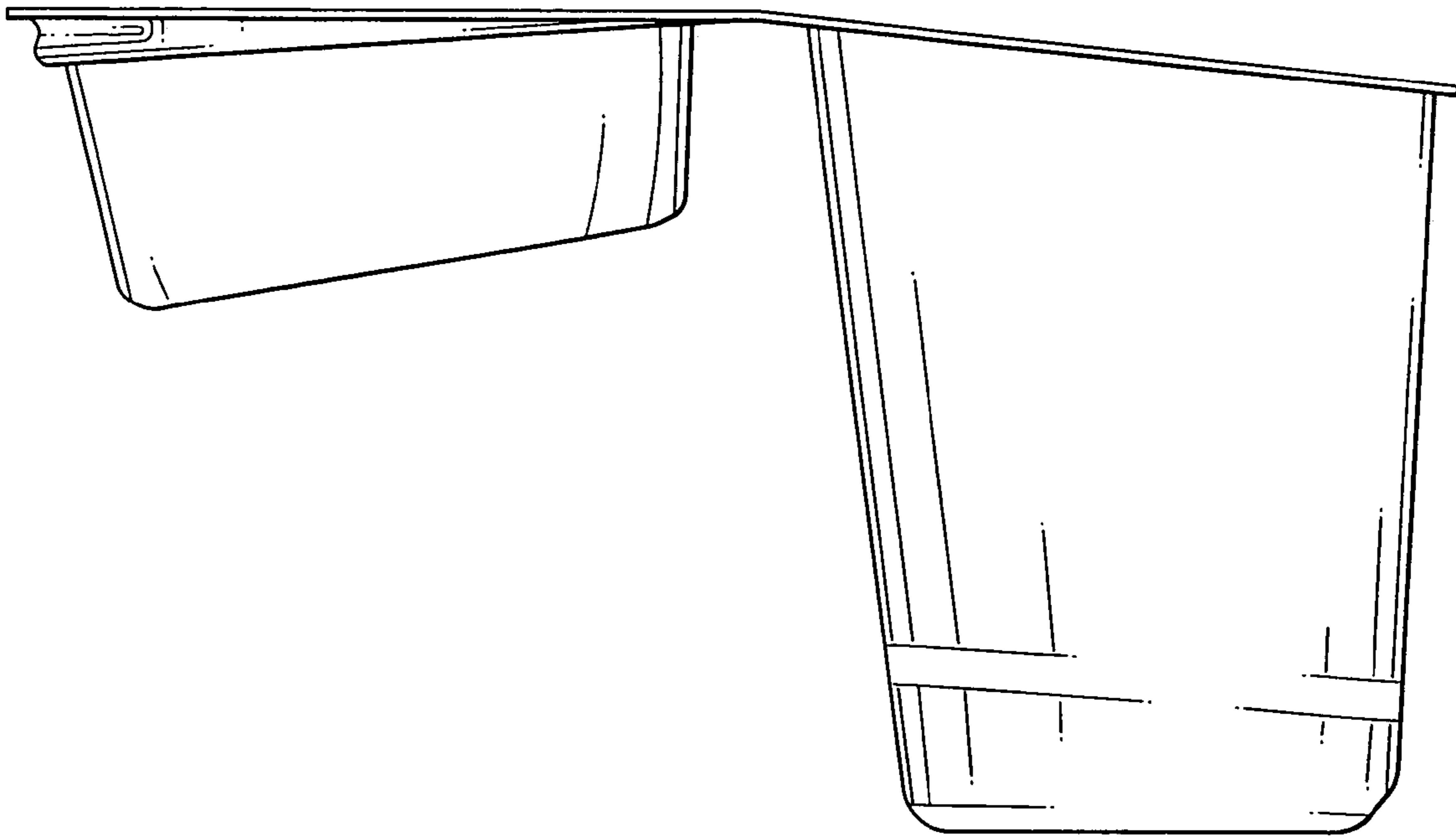


FIG. 11

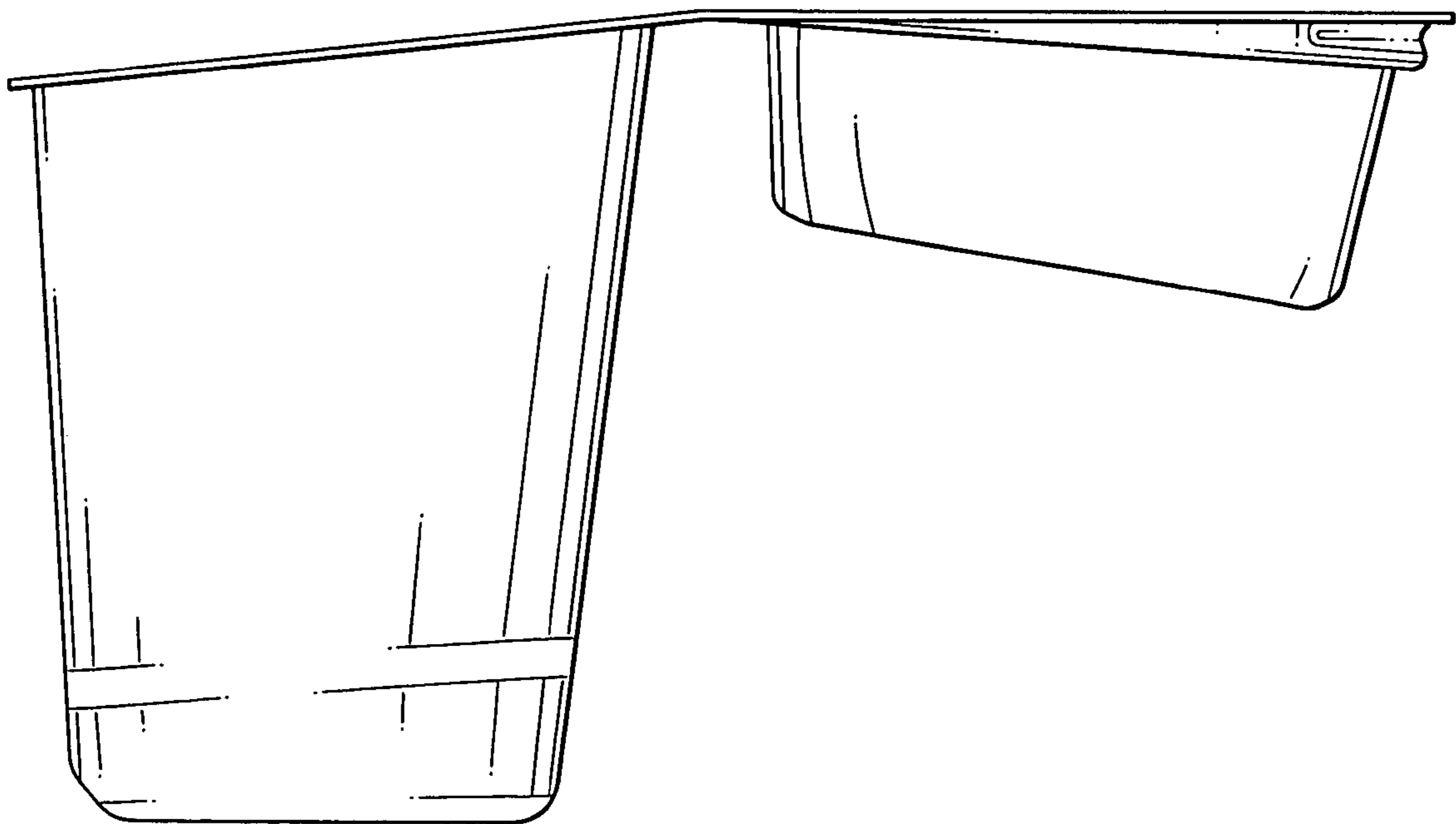


FIG. 12

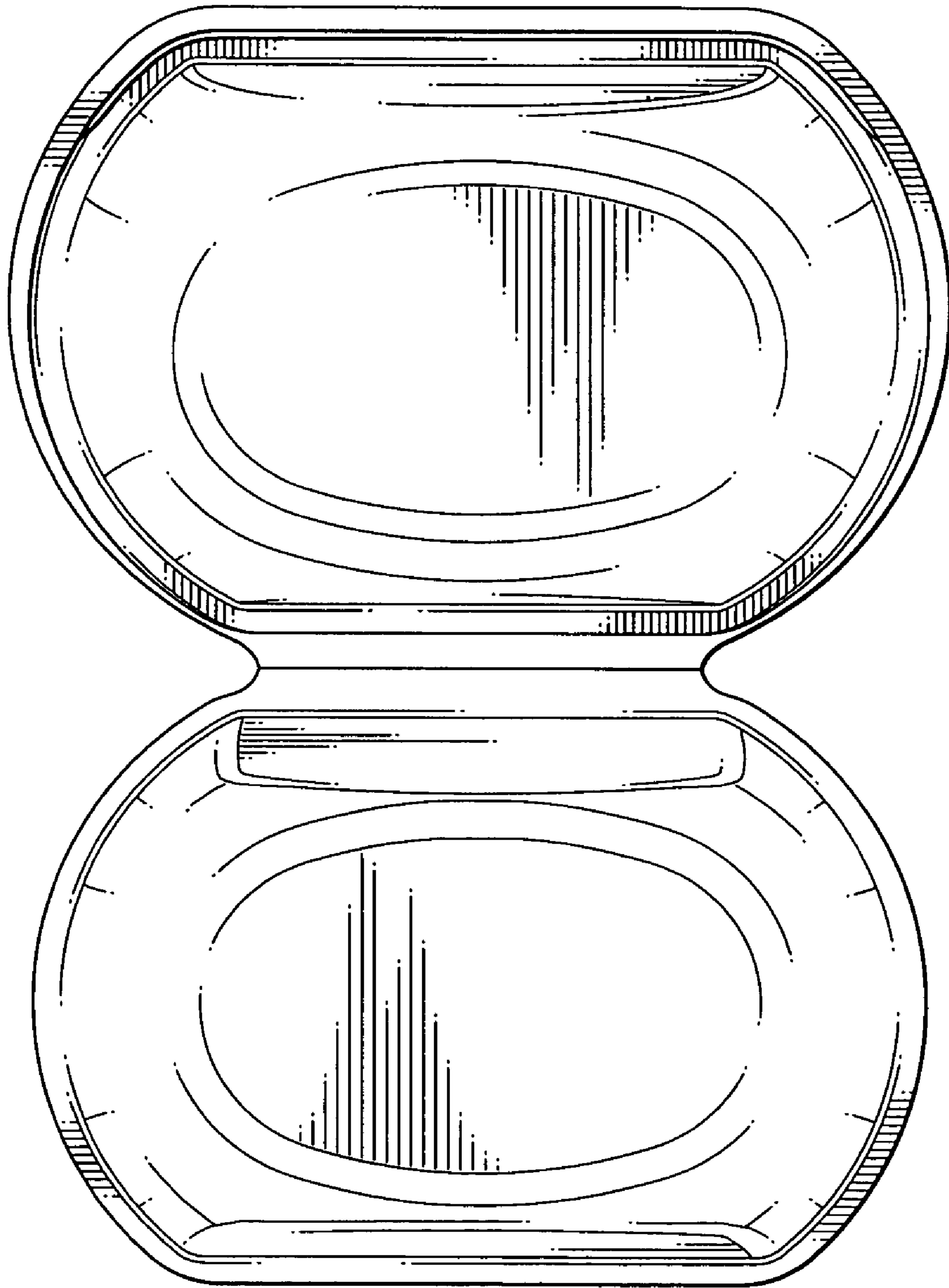


FIG. 13

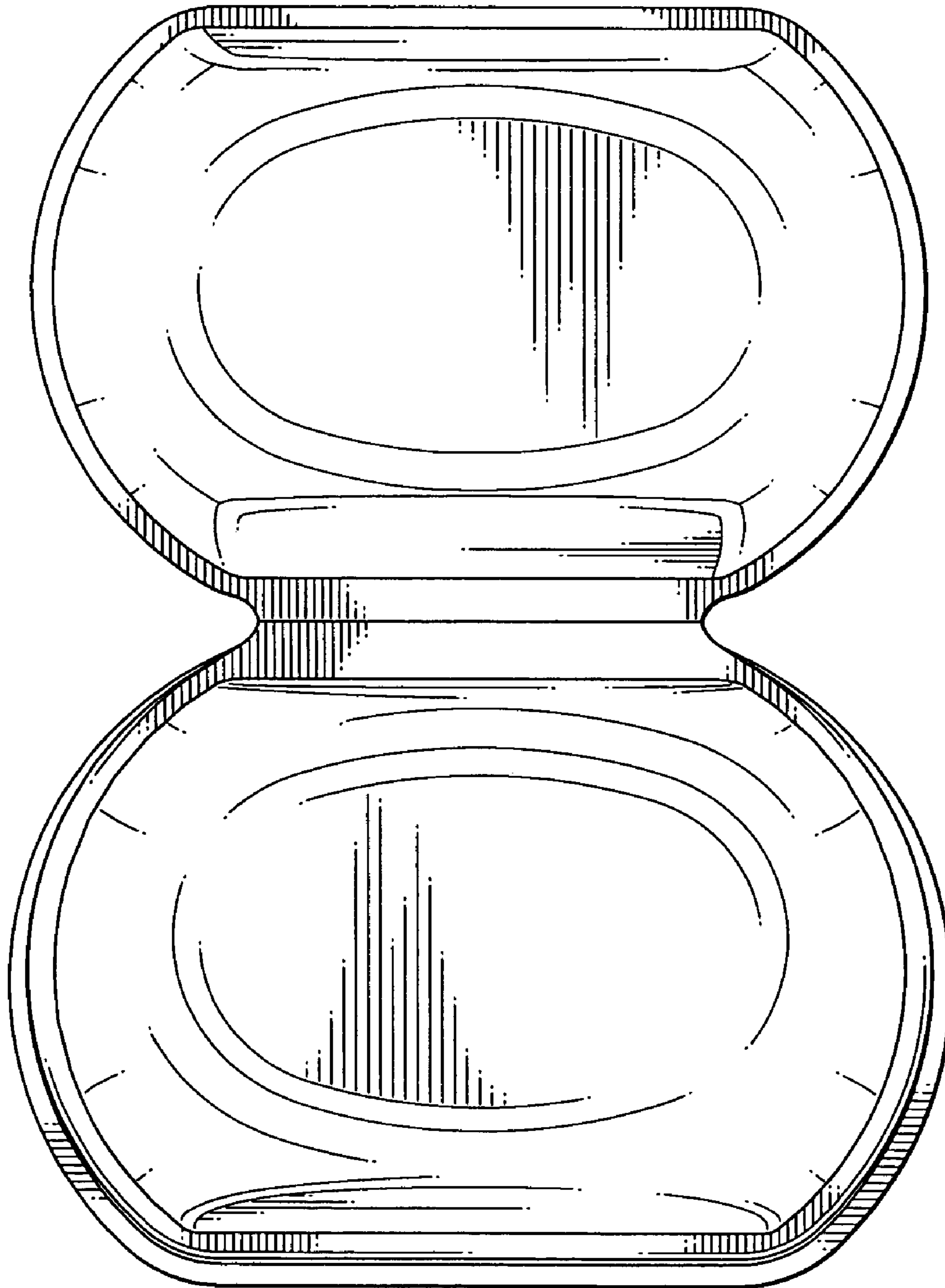


FIG. 14