



US00D552467S

(12) **United States Design Patent**
Templeton

(10) **Patent No.:** **US D552,467 S**

(45) **Date of Patent:** **** Oct. 9, 2007**

(54) **CONTAINER**

(75) Inventor: **Garry Templeton**, Suwanee, GA (US)

(73) Assignee: **First Choice Packaging, Inc.**, Fremont, OH (US)

(**) Term: **14 Years**

(21) Appl. No.: **29/242,820**

(22) Filed: **Nov. 15, 2005**

(51) **LOC (8) Cl.** **09-03**

(52) **U.S. Cl.** **D9/420; D9/425; D9/423**

(58) **Field of Classification Search** D9/414-435, D9/438, 443, 744, 730, 733, 759; D7/590, D7/596, 598, 601, 629, 538-549; D6/512, D6/515, 518; D3/294, 273, 302, 203.2, 318; D28/4, 7, 73, 77, 85; D24/131; 220/270, 220/265, 315, 810, 283, 254.1-254.9, 259.1-259.5; 221/26, 33, 45; 206/528, 530; 222/92-97
See application file for complete search history.

(56) **References Cited**

U.S. PATENT DOCUMENTS

4,872,551 A	10/1989	Theros	
D305,408 S	1/1990	LaJoie	
D306,561 S	3/1990	Lee	
D327,844 S	7/1992	Wimbish et al.	
5,129,516 A	7/1992	Theros	
D329,600 S	9/1992	LaJoie	
D338,619 S	8/1993	Mylander et al.	
D342,446 S	12/1993	Parker et al.	
5,388,758 A	2/1995	Scovell	
D359,447 S	6/1995	Mylander et al.	
5,429,833 A	7/1995	Wyslotsky	
D361,714 S	8/1995	Krupa	
5,485,919 A	1/1996	Samberg et al.	
5,493,848 A	2/1996	McKibben et al.	
D386,013 S *	11/1997	Tell	D6/407
D386,306 S *	11/1997	Zimmerman	D3/273
D403,582 S *	1/1999	Nask et al.	D9/435
D419,067 S *	1/2000	Guillin	D9/430
D423,929 S *	5/2000	Simmers et al.	D9/737

D434,315 S	11/2000	Clarke	
D434,316 S *	11/2000	Simmers	D9/415
6,170,663 B1	1/2001	Glassman	
D441,286 S	5/2001	Clarke	
6,227,369 B1	5/2001	Glassman	
D445,330 S	7/2001	Clarke, III	
6,330,945 B1	12/2001	Reimer	
6,364,114 B1	4/2002	Glassman	
D470,767 S	2/2003	Meyer et al.	
D484,043 S	12/2003	Hwang et al.	
D505,619 S	5/2005	Metaxatos	
D506,130 S	6/2005	Metaxatos	
D514,452 S *	2/2006	Enriquez	D9/759
7,059,475 B2 *	6/2006	Zabka et al.	206/710
7,077,268 B2 *	7/2006	Luber et al.	206/397

* cited by examiner

Primary Examiner—Stella Reid
Assistant Examiner—Thomas Johannes
(74) *Attorney, Agent, or Firm*—Calfee, Halter & Griswold, LLP

(57) **CLAIM**

The ornamental design for a container, as shown and described.

DESCRIPTION

FIG. 1 is a perspective view of a container having a lid and a base according to one embodiment of the present invention;

FIG. 2 is a side elevational view of the container depicted in FIG. 1, the other sides being mirror images;

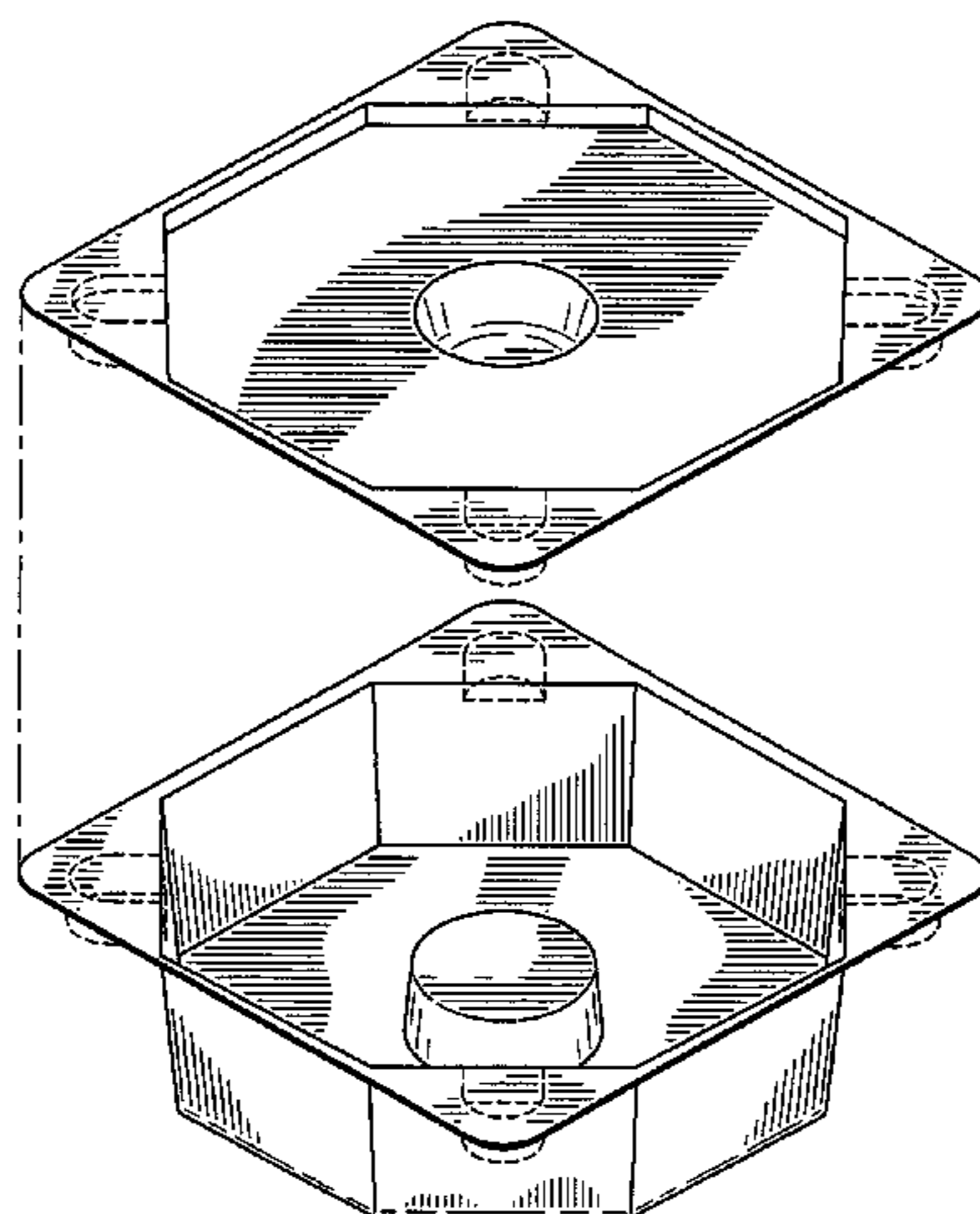
FIG. 3 is a top plan view of the lid taken along Line 3—3 of FIG. 2;

FIG. 4 is a bottom plan view of the base taken along Line 4—4 of FIG. 2;

FIG. 5 is a bottom plan view of the lid taken along Line 5—5 of FIG. 2; and,

FIG. 6 is a top plan view of the base taken along Line 6—6 of FIG. 2.

1 Claim, 4 Drawing Sheets



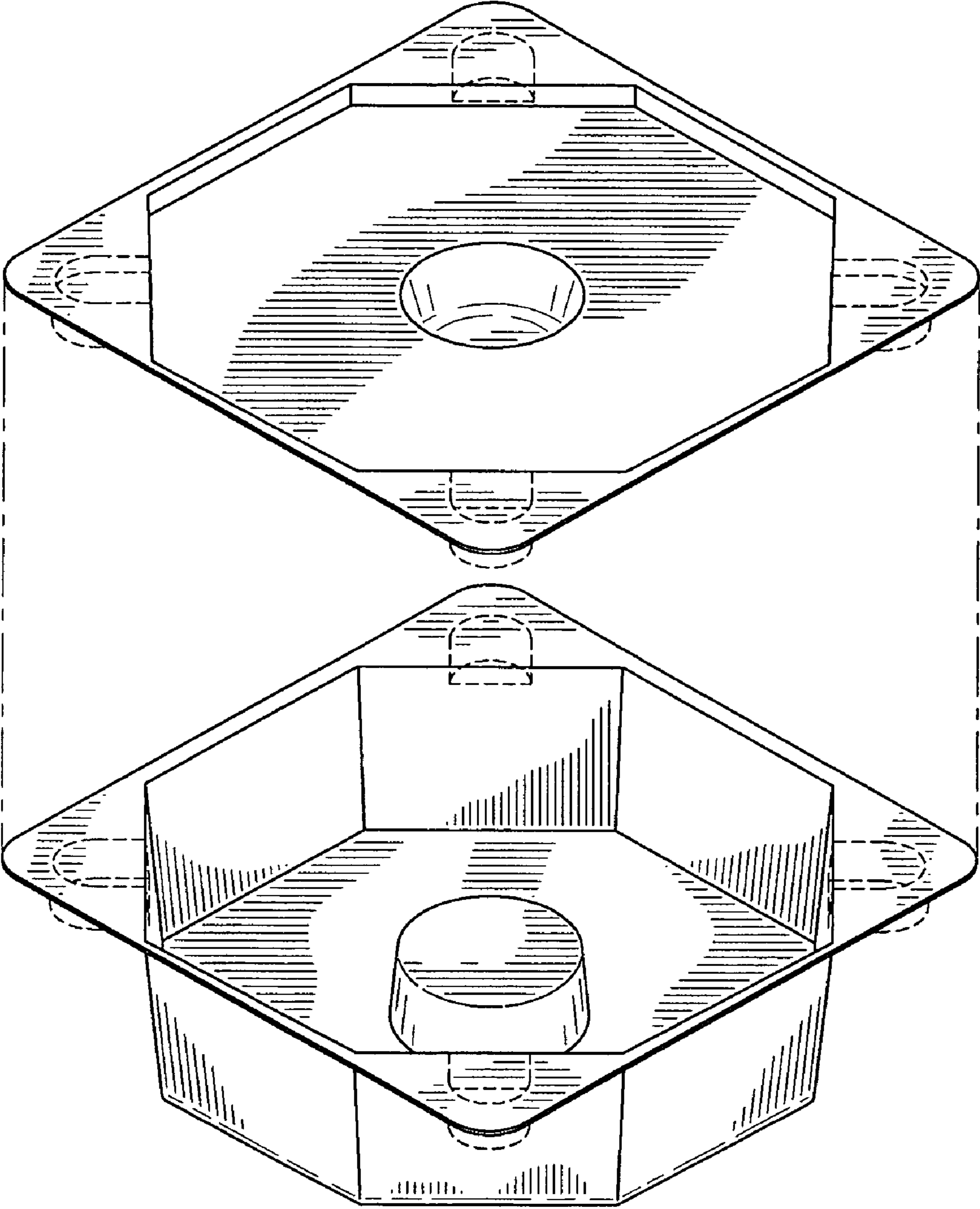


FIG-1

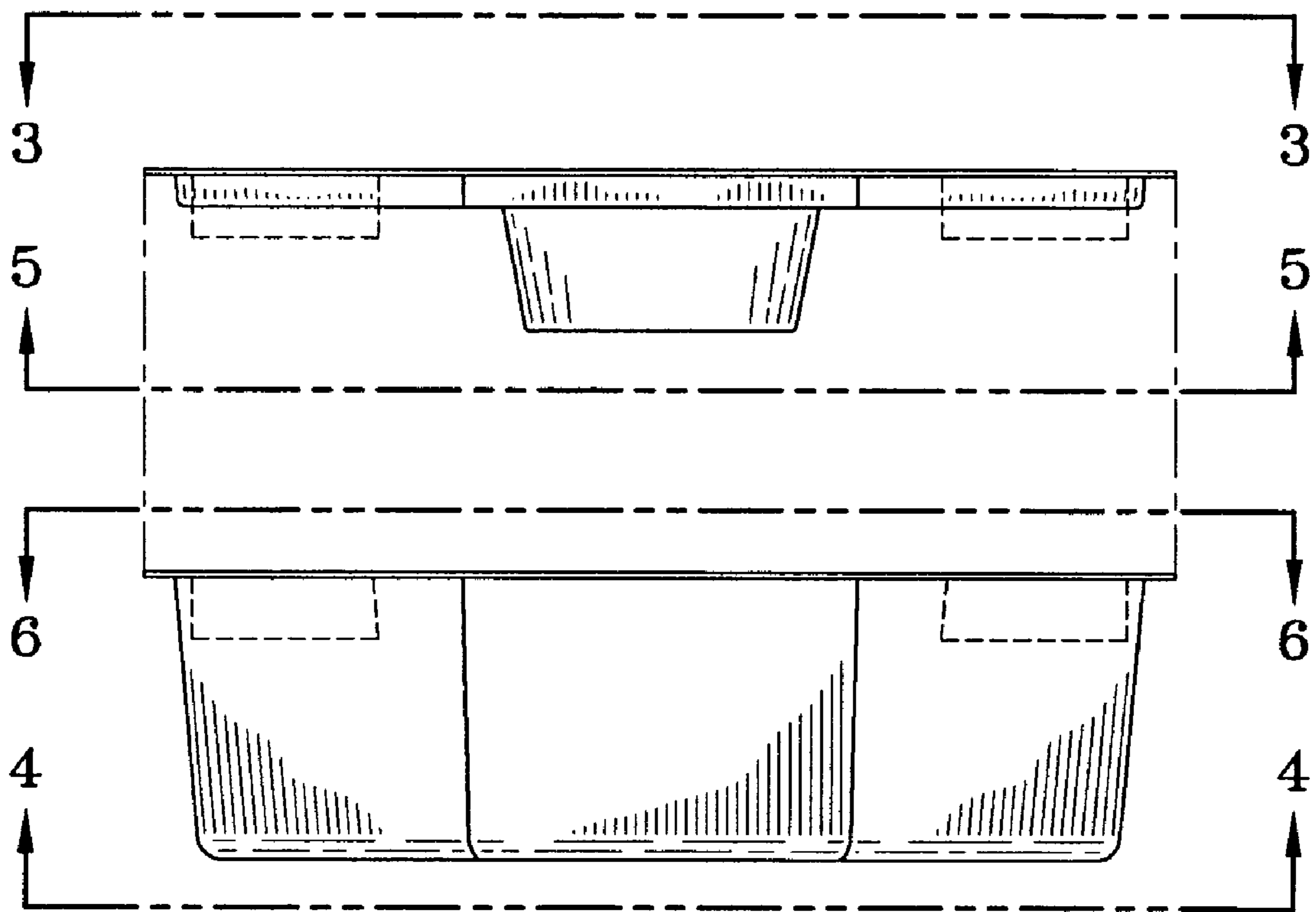


FIG-2

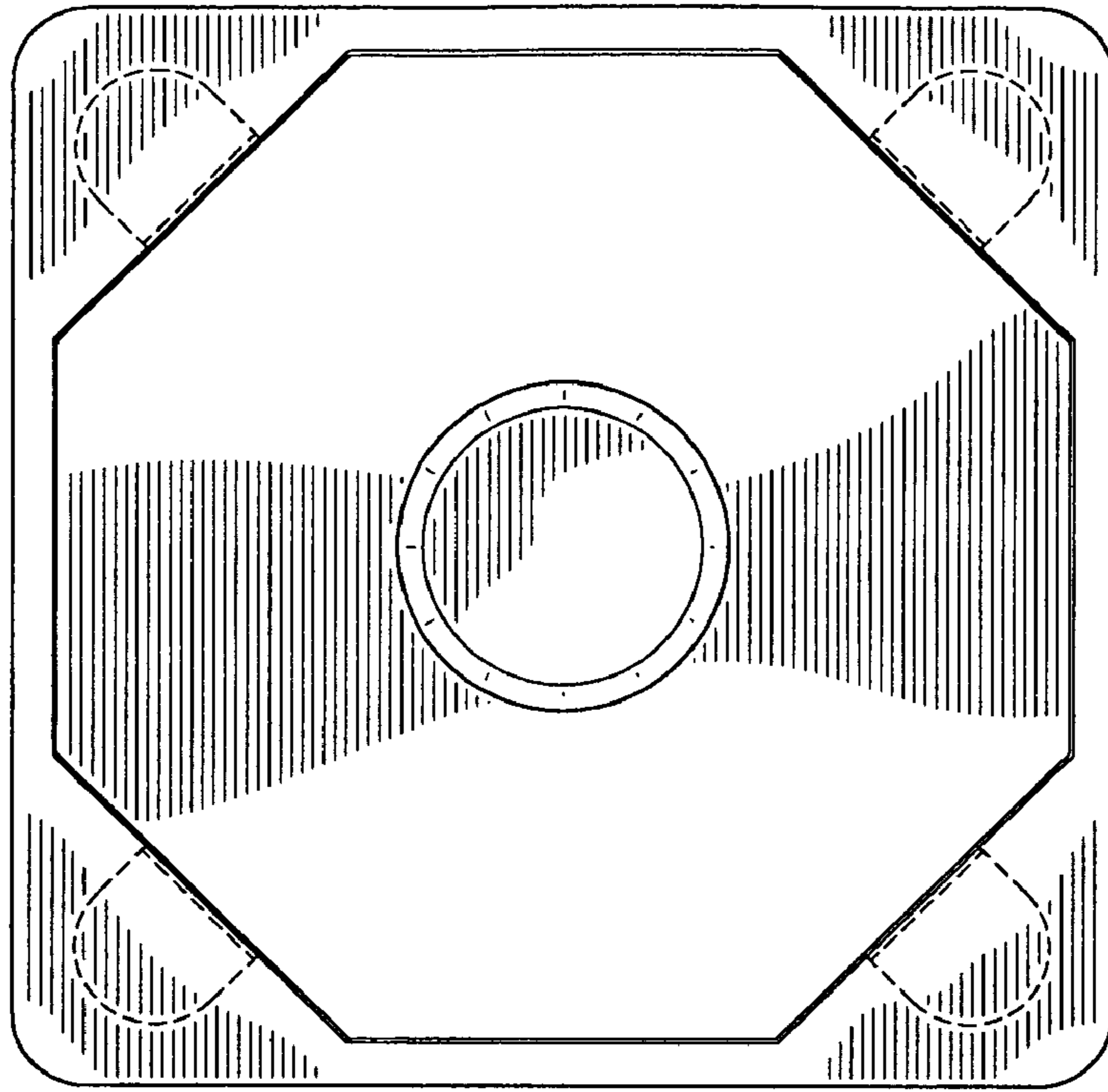


FIG-3

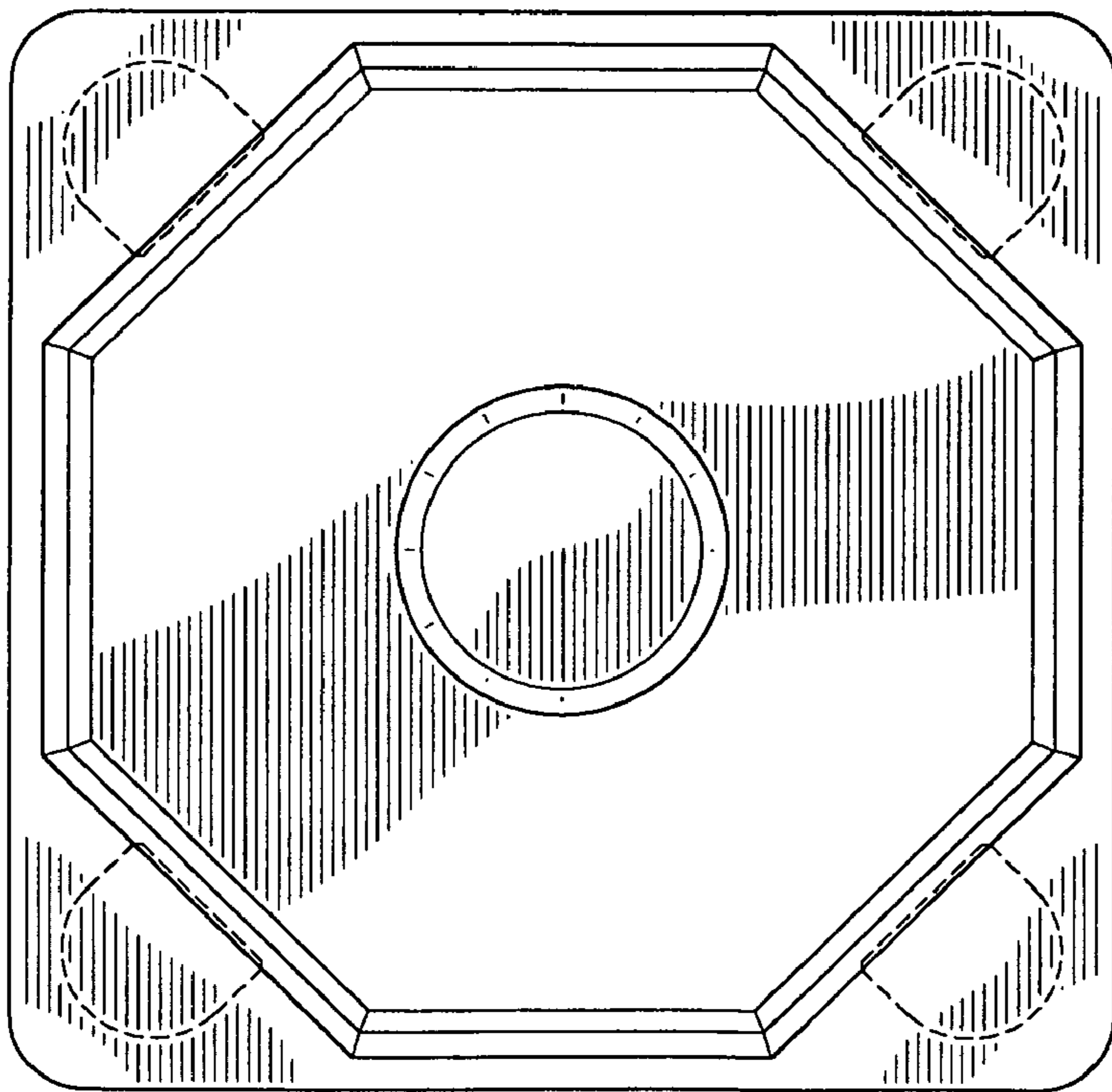


FIG-4

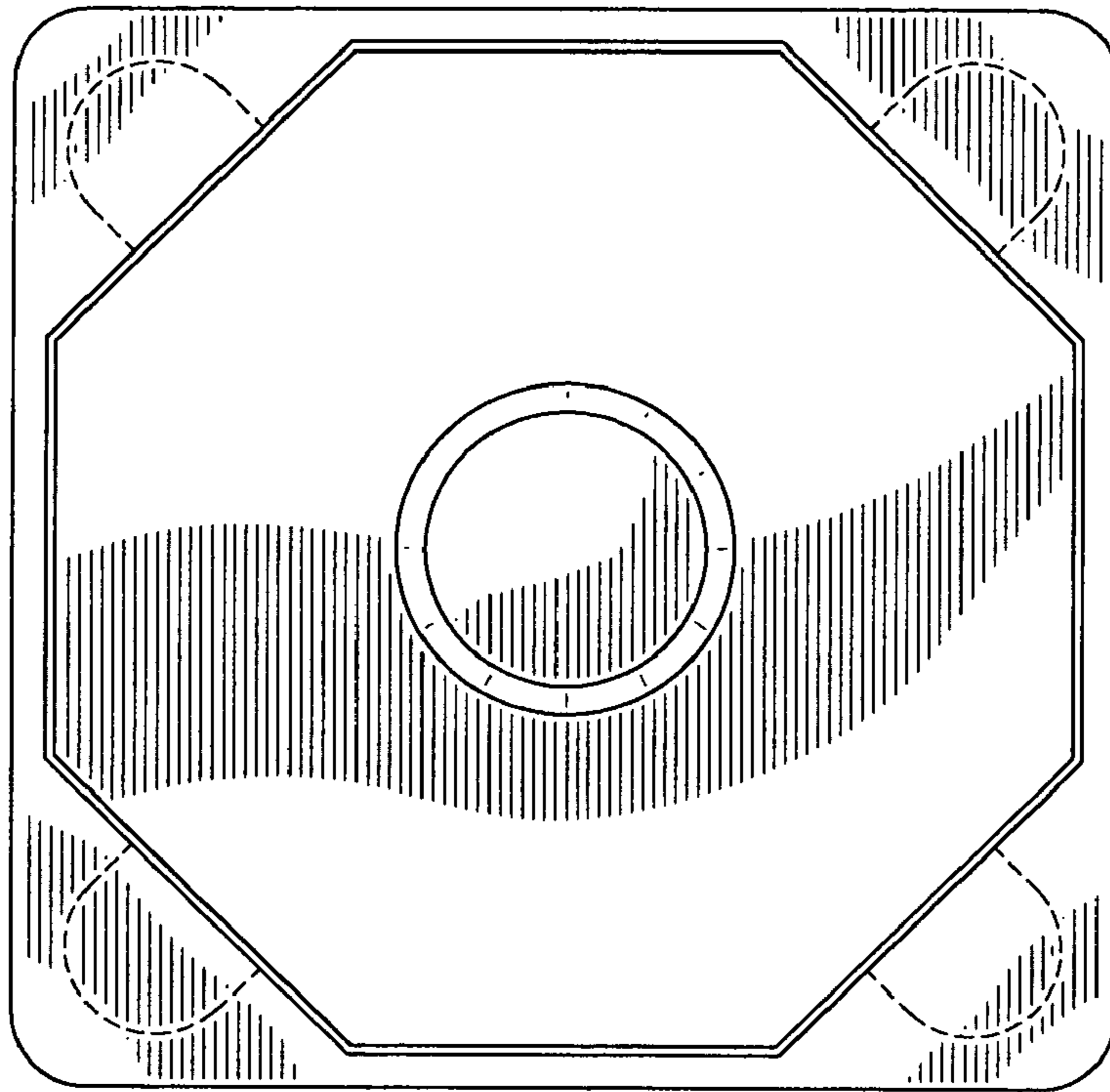


FIG-5

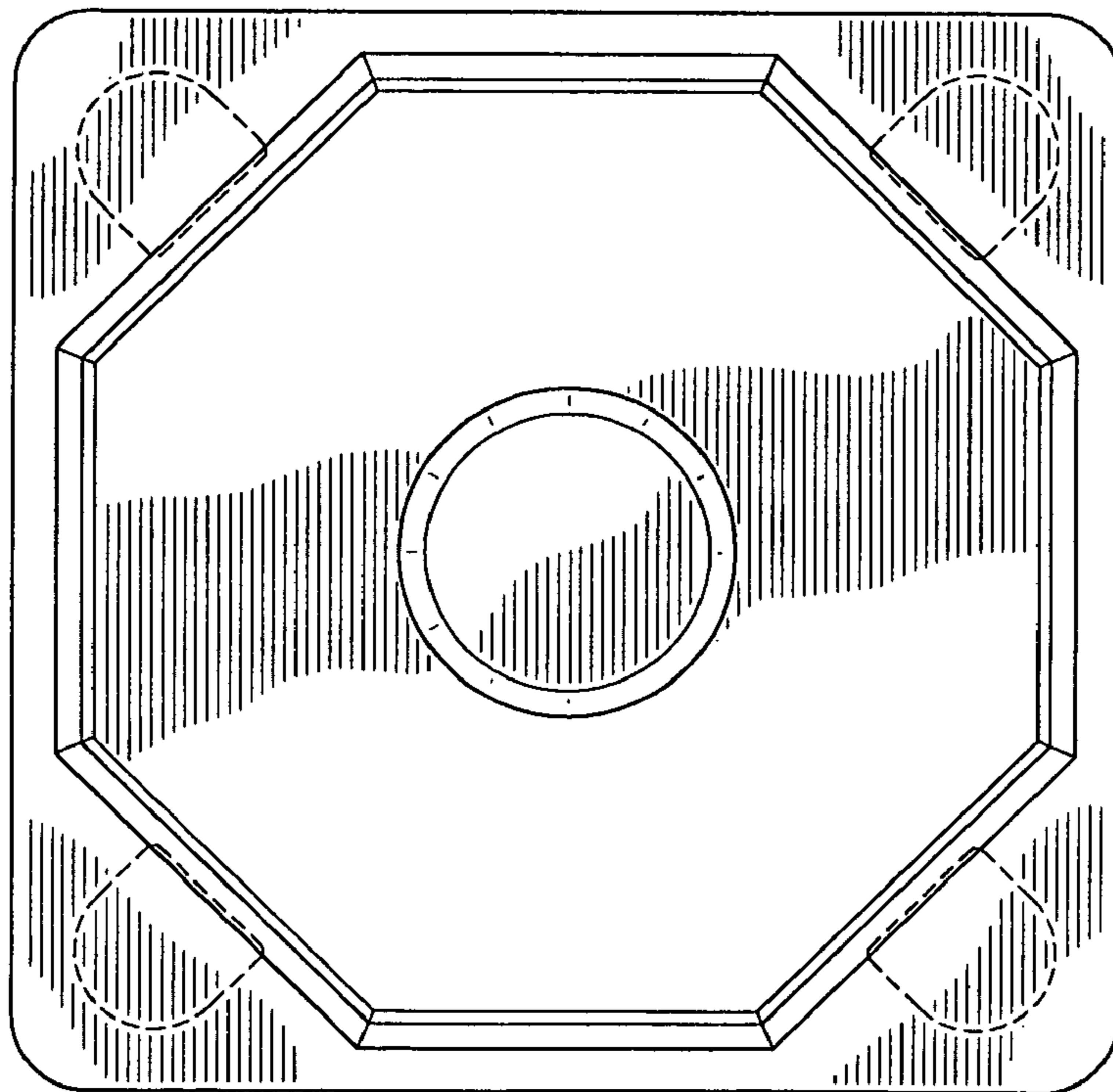


FIG-6