



US00D552465S

(12) **United States Design Patent**
Ringo

(10) **Patent No.:** **US D552,465 S**

(45) **Date of Patent:** **** Oct. 9, 2007**

(54) **SHEATHED REUSABLE RETAIL DISPLAY AND STORAGE UNIT FOR ELECTRONICS COMPONENTS**

(75) Inventor: **Scott Andrew Ringo**, Eules, TX (US)

(73) Assignee: **Dobbs-Stanford Corporation**, Dallas, TX (US)

(**) Term: **14 Years**

(21) Appl. No.: **29/227,835**

(22) Filed: **Apr. 15, 2005**

(51) **LOC (8) Cl.** **09-03**

(52) **U.S. Cl.** **D9/415; D3/273**

(58) **Field of Classification Search** D9/711, D9/414, 432, 456, 501, 419, 415, 503, 424, D9/430; 206/541, 395, 397, 398, 223, 769; 220/555, 556, 544; 229/87.08, 87.018, 103.2; D13/153, 139.1; D3/273

See application file for complete search history.

(56) **References Cited**

U.S. PATENT DOCUMENTS

2,893,771	A	7/1959	Claud-Mantle	
3,024,940	A	3/1962	Meyer	
3,298,594	A	1/1967	Makowski et al.	
3,410,391	A	11/1968	Kanter	
3,416,701	A	12/1968	Kramer et al.	
3,499,525	A	3/1970	Kanter	
3,737,067	A	6/1973	Palson	
3,767,110	A	10/1973	Congleton	
4,570,818	A *	2/1986	Borst et al.	220/835
4,643,303	A	2/1987	Arp et al.	
D304,684	S *	11/1989	Hadtke	D9/415
D305,000	S *	12/1989	Hernandez	D9/415
D305,732	S *	1/1990	Hadtke	D9/415
5,065,885	A	11/1991	Scaroni	

5,507,385	A	4/1996	Koloski et al.	
D402,105	S	12/1998	Erickson	
5,904,269	A	5/1999	Wolff	
D411,448	S *	6/1999	Baker	D9/415
D414,606	S	10/1999	Sun	
D417,614	S *	12/1999	Chu	D9/711
D419,066	S *	1/2000	Lentini	D9/423
D420,905	S *	2/2000	Adkins	D9/415
D427,769	S	7/2000	Zimmerman	
D437,685	S *	2/2001	Liu	D3/294
D446,014	S *	8/2001	Adkins	D3/302
D489,530	S	5/2004	Lindsay	
6,793,096	B1	9/2004	Seok	
D503,334	S *	3/2005	Keating	D9/415
D531,798	S *	11/2006	Ringo	D3/273
D534,068	S *	12/2006	Tanner	D9/424

* cited by examiner

Primary Examiner—Caron D. Veynar

Assistant Examiner—Abraham Bahta

(74) *Attorney, Agent, or Firm*—Storm LLP; John G. Fischer

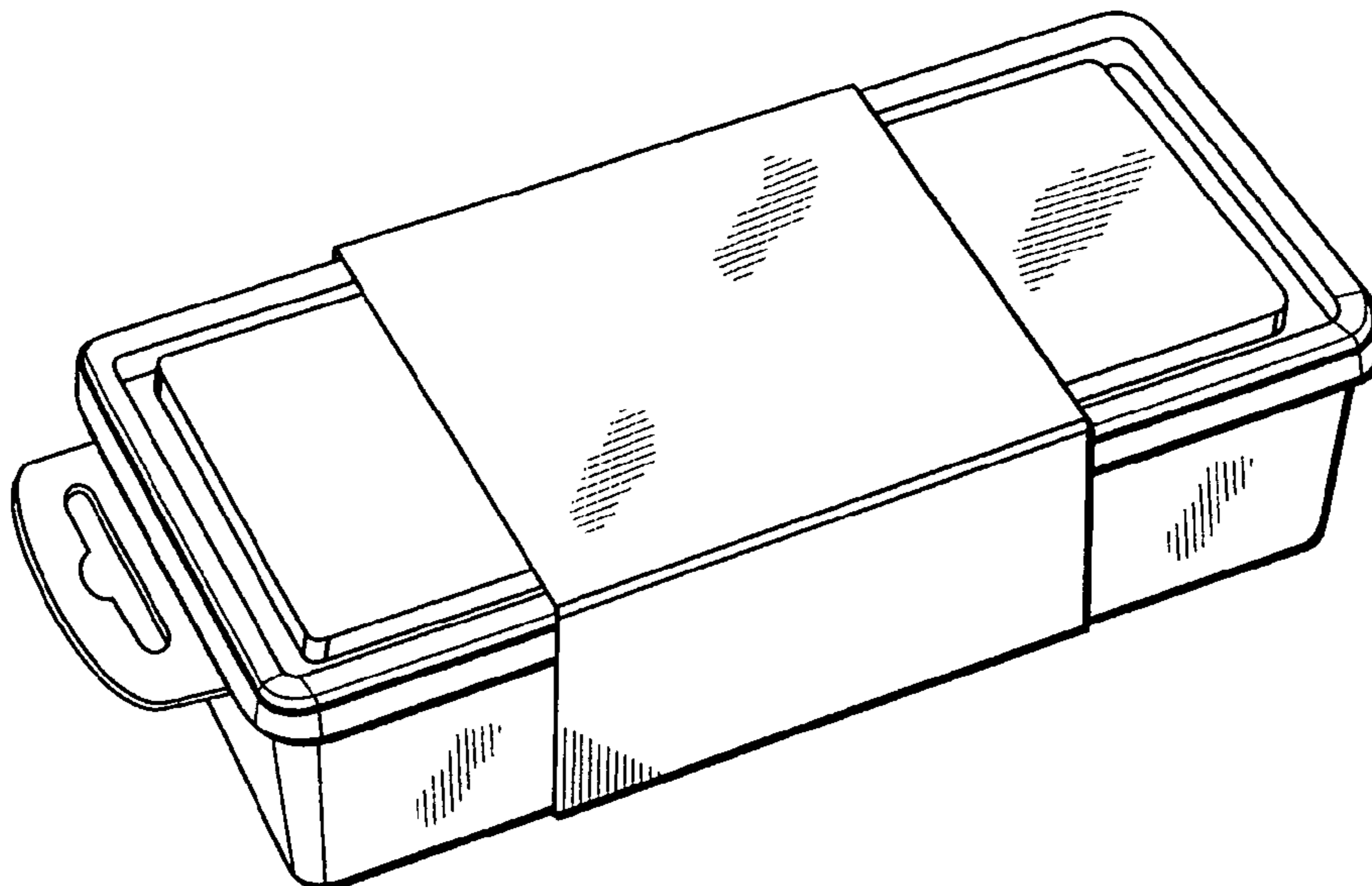
(57) **CLAIM**

The ornamental design for a sheathed reusable retail display and storage unit for electronics components, as shown and described.

DESCRIPTION

FIG. 1 is an isometric view thereof;
FIG. 2 is side view thereof;
FIG. 3 is a second side view thereof;
FIG. 4 is a front view thereof;
FIG. 5 is a rear view thereof;
FIG. 6 is a top view thereof; and,
FIG. 7 is a bottom view thereof.

1 Claim, 4 Drawing Sheets



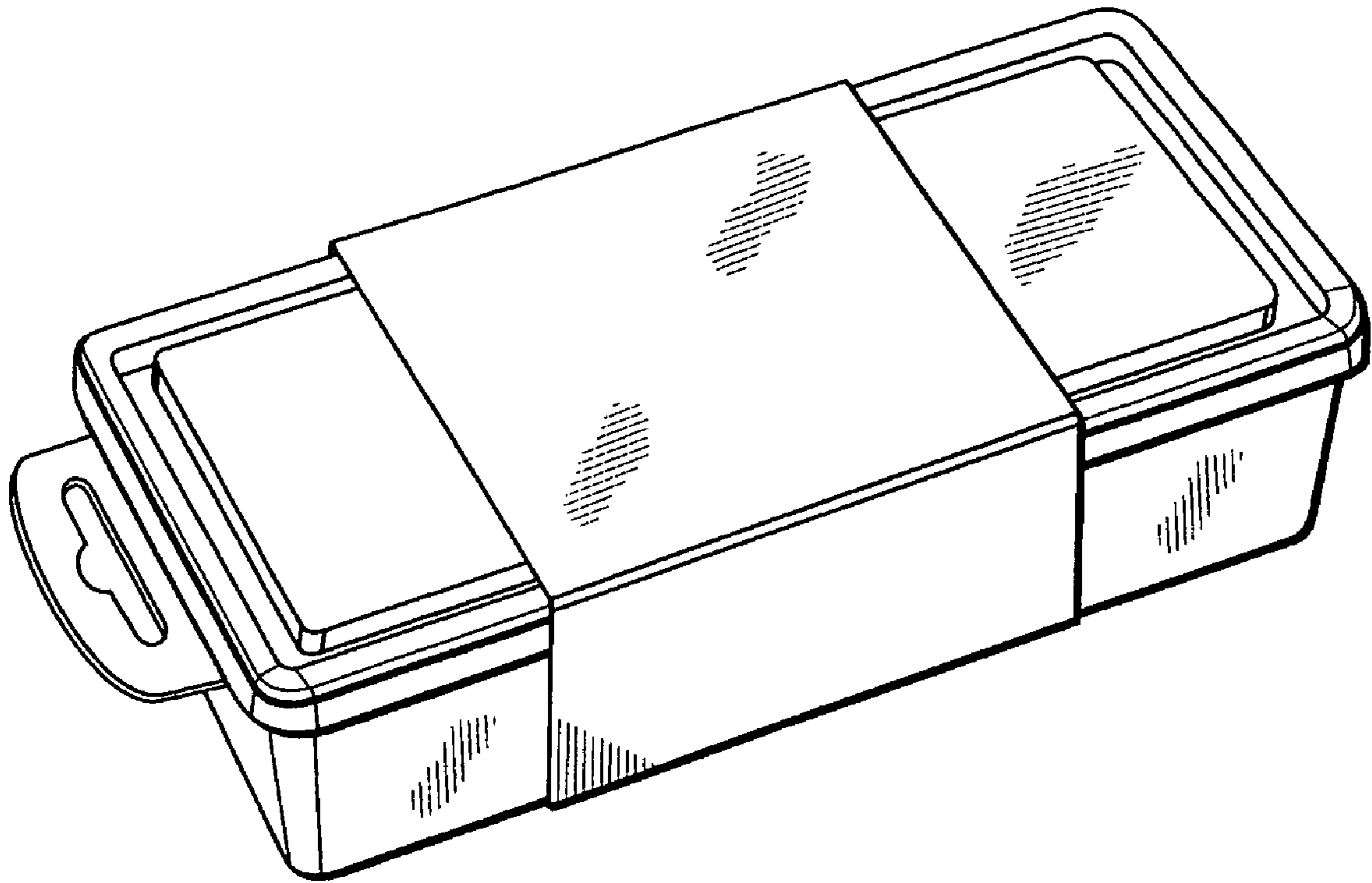


FIG. 1

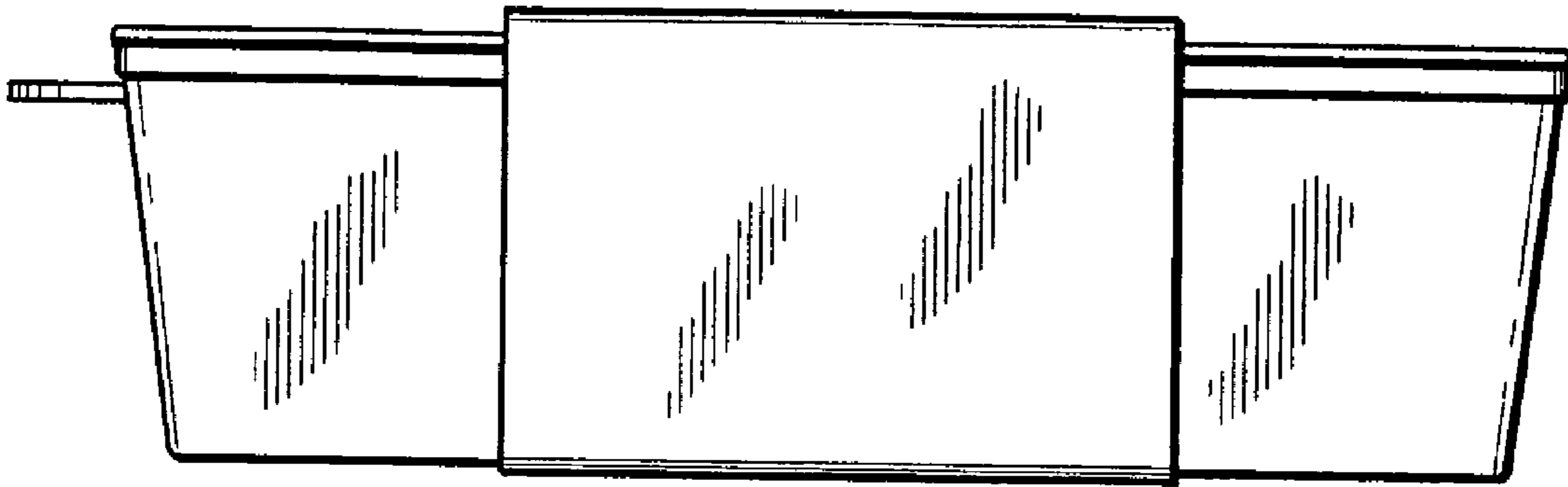


FIG. 2

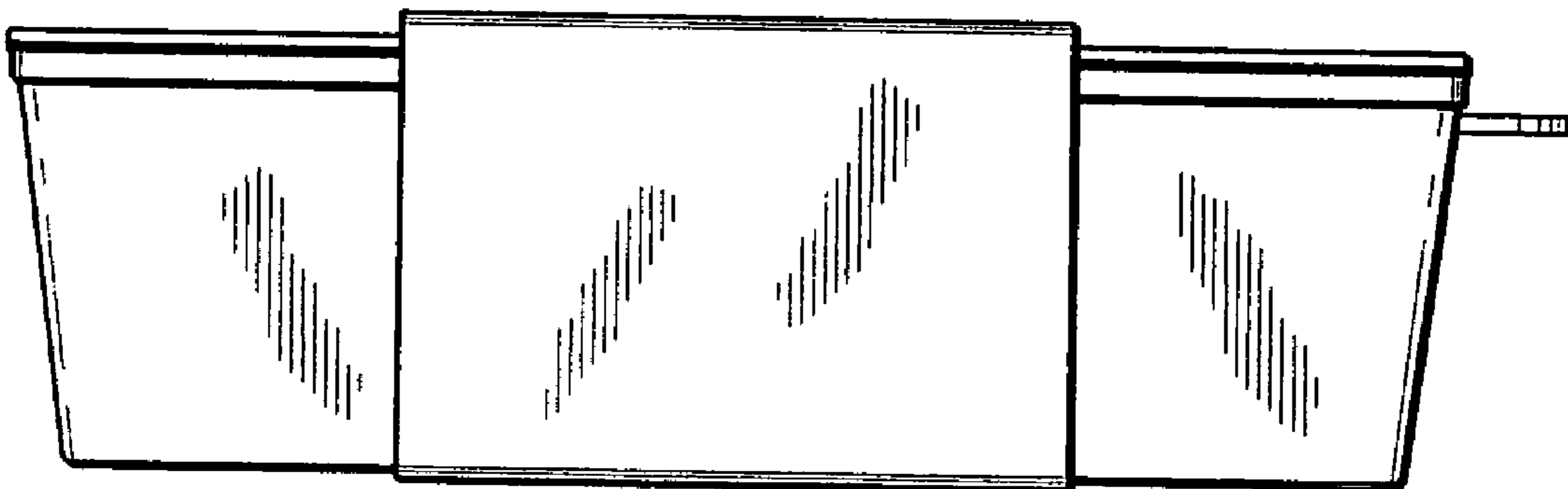


FIG. 3

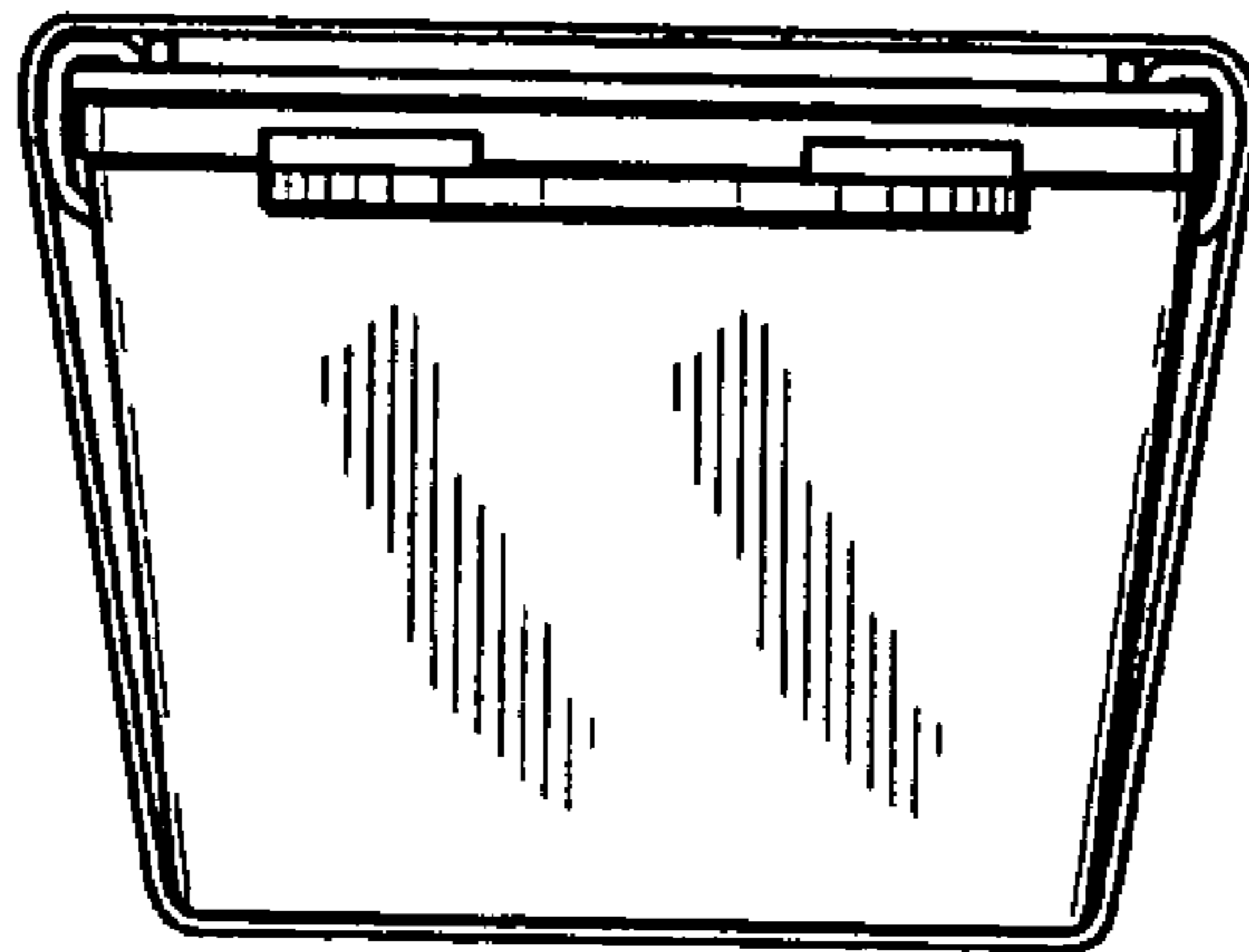


FIG. 4

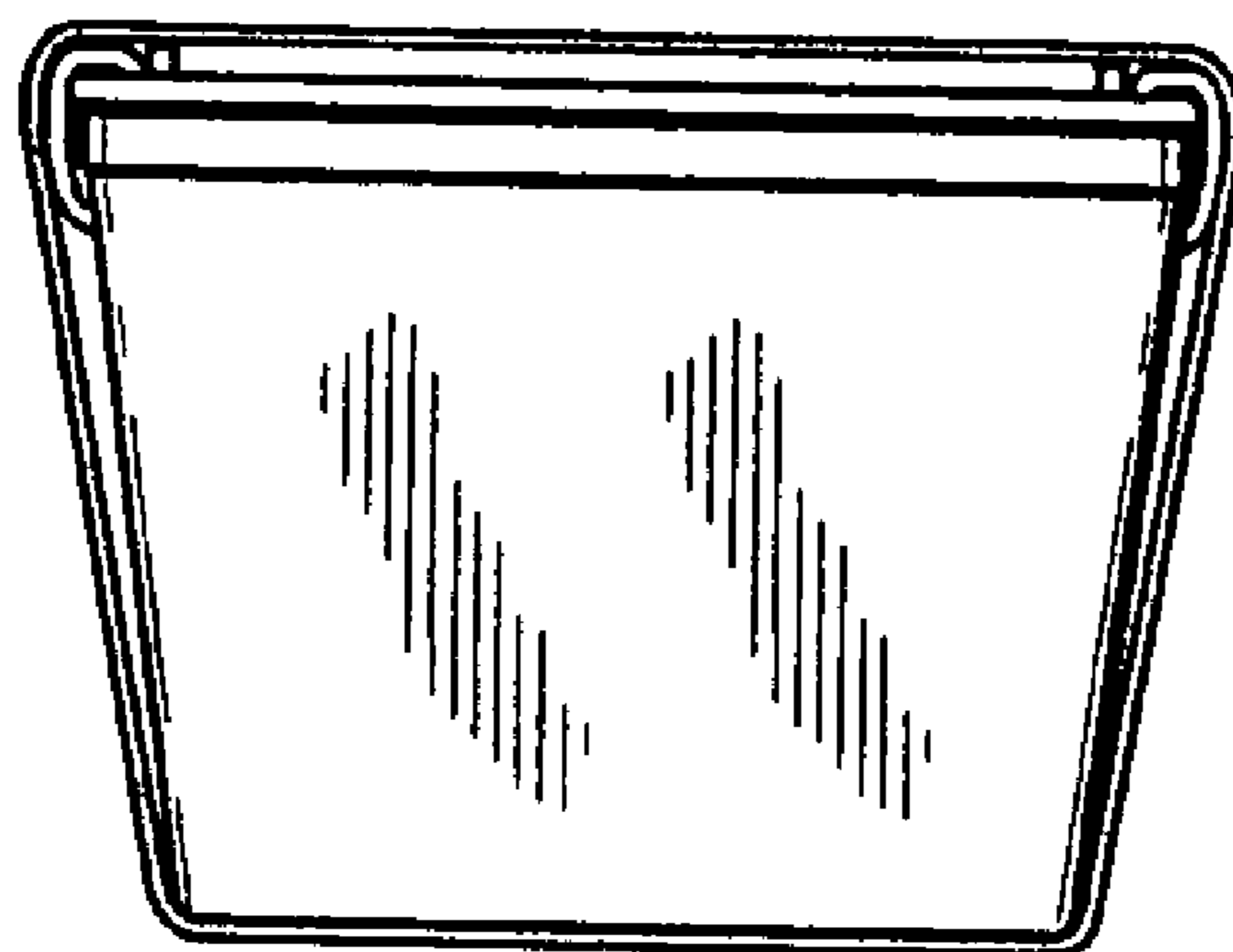


FIG. 5

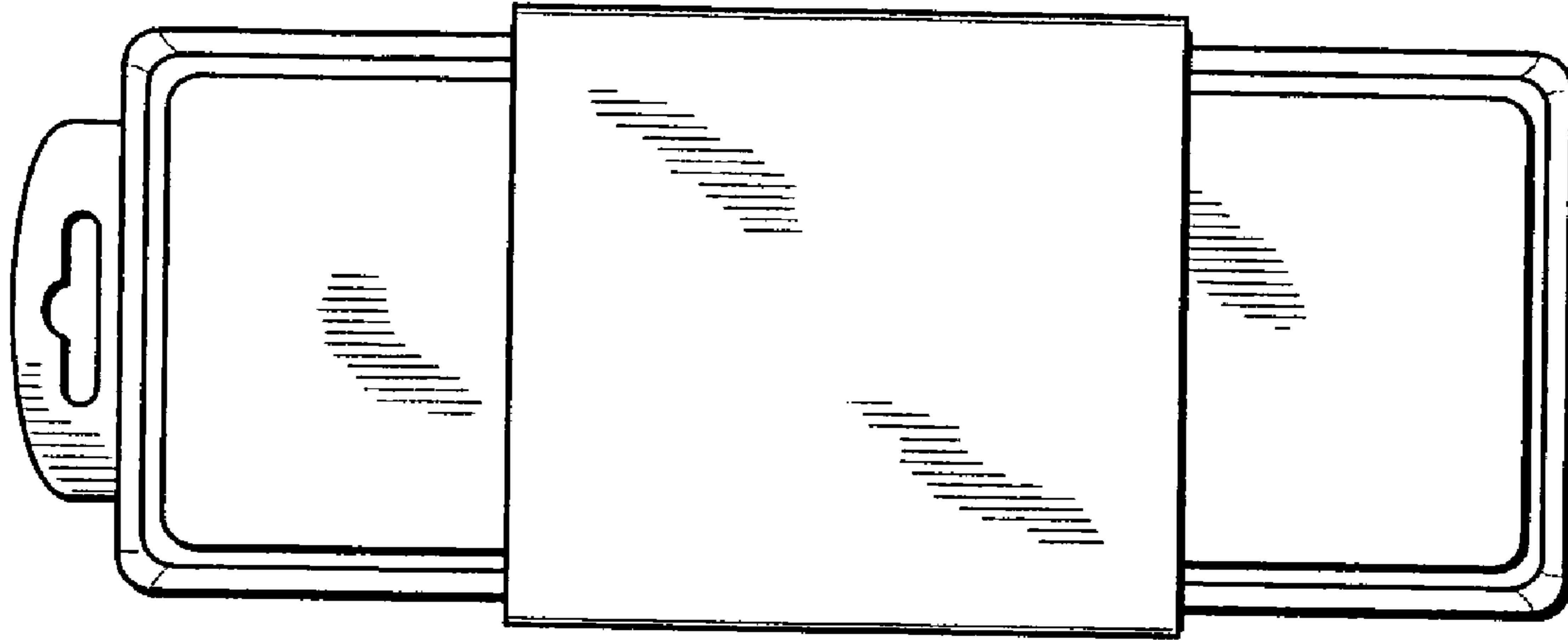


FIG. 6

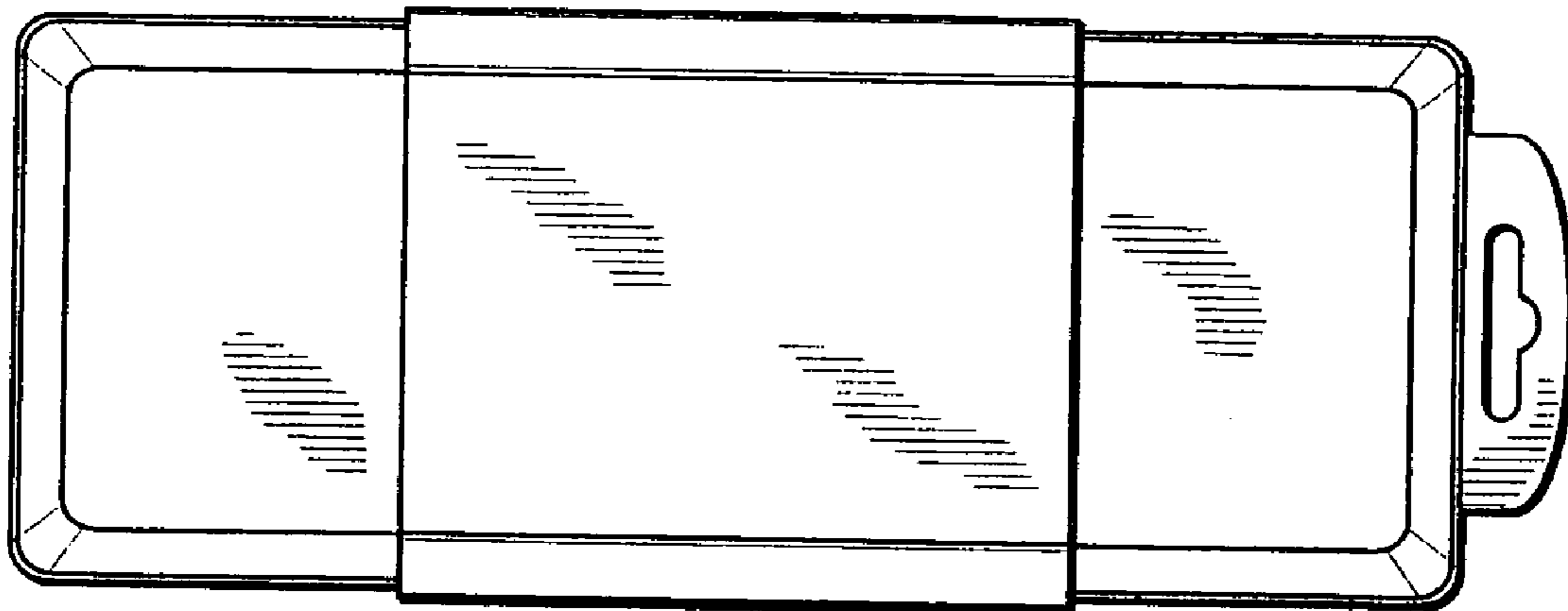


FIG. 7