



US00D552461S

(12) **United States Design Patent**
Oas

(10) **Patent No.:** **US D552,461 S**

(45) **Date of Patent:** **** Oct. 9, 2007**

(54) **HANGING CLIP**

(76) Inventor: **Daniel Oas**, 6250 N. Irwindale Ave.,
Irwindale, CA (US) 91702

(**) Term: **14 Years**

(21) Appl. No.: **29/273,669**

(22) Filed: **Mar. 7, 2007**

(51) **LOC (8) Cl.** **08-05**

(52) **U.S. Cl.** **D8/395; D8/373; D6/326**

(58) **Field of Classification Search** D8/356,
D8/371, 394-396, 373; D19/65, 56; 24/22,
24/67 R, 20 S, 115 R, 546, 563, 910, 343,
24/67.9; 248/74.2, 215, 227.1, 49, 300, 301,
248/316.7, 51, 489; D6/326

See application file for complete search history.

(56) **References Cited**

U.S. PATENT DOCUMENTS

D170,544 S * 10/1953 Nalle D6/326
D175,169 S * 7/1955 Jacobson D6/326
3,041,696 A * 7/1962 Ferri, Jr. 24/566
3,692,269 A * 9/1972 Hales 248/691
D229,810 S * 1/1974 Searington D6/326

D295,811 S * 5/1988 Larsson D6/326
4,943,026 A * 7/1990 Fildan 248/339
5,118,065 A * 6/1992 Becklund et al. 248/316.5
D481,618 S * 11/2003 Felsenthal D8/373

* cited by examiner

Primary Examiner—Louis S. Zarfes

Assistant Examiner—John Windmuller

(74) *Attorney, Agent, or Firm*—Edgar W. Averill, Jr.

(57) **CLAIM**

The ornamental design for a hanging clip, as shown.

DESCRIPTION

FIG. 1 is a front right top perspective view of a hanging clip showing my new design;

FIG. 2 is a top plan view thereof;

FIG. 3 is a right side elevational view thereof;

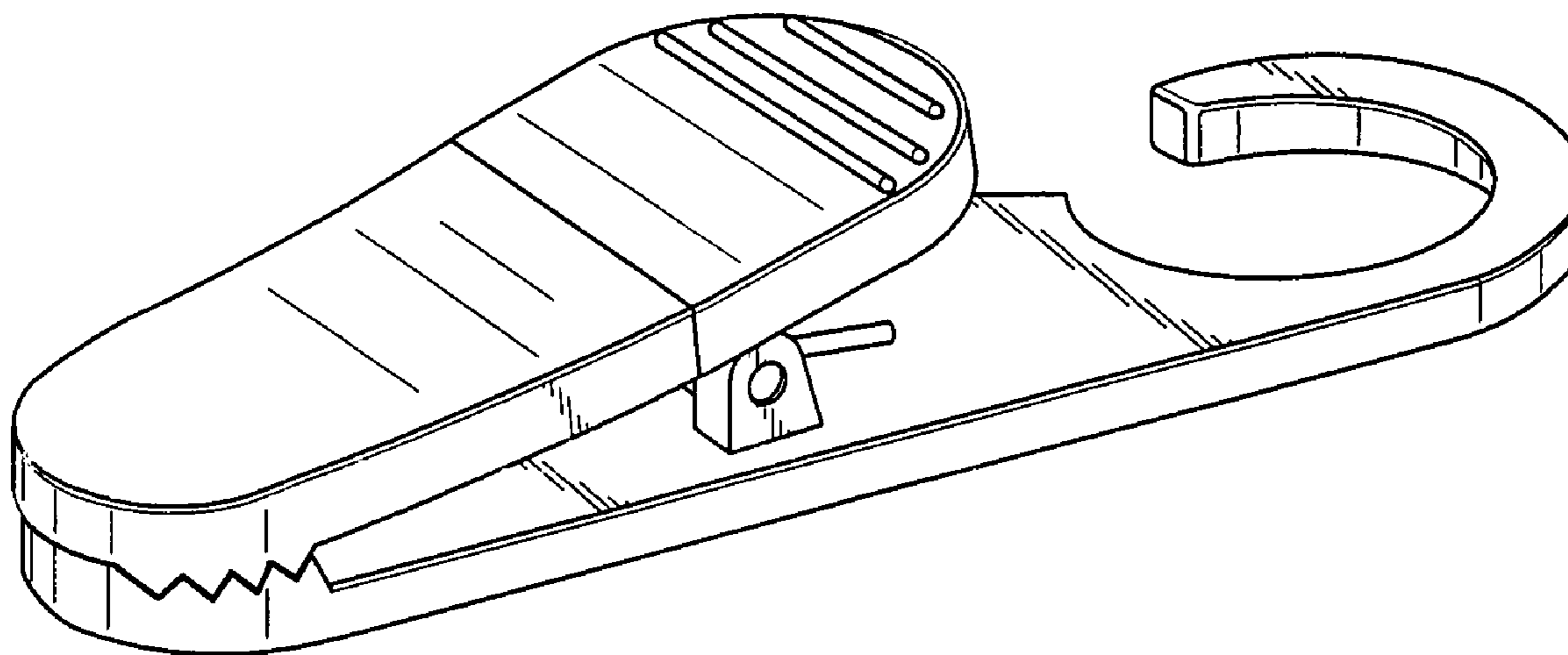
FIG. 4 is a right side elevational view thereof;

FIG. 5 is a front elevational view thereof;

FIG. 6 is a rear elevational view thereof; and,

FIG. 7 is a bottom plan view thereof.

1 Claim, 2 Drawing Sheets



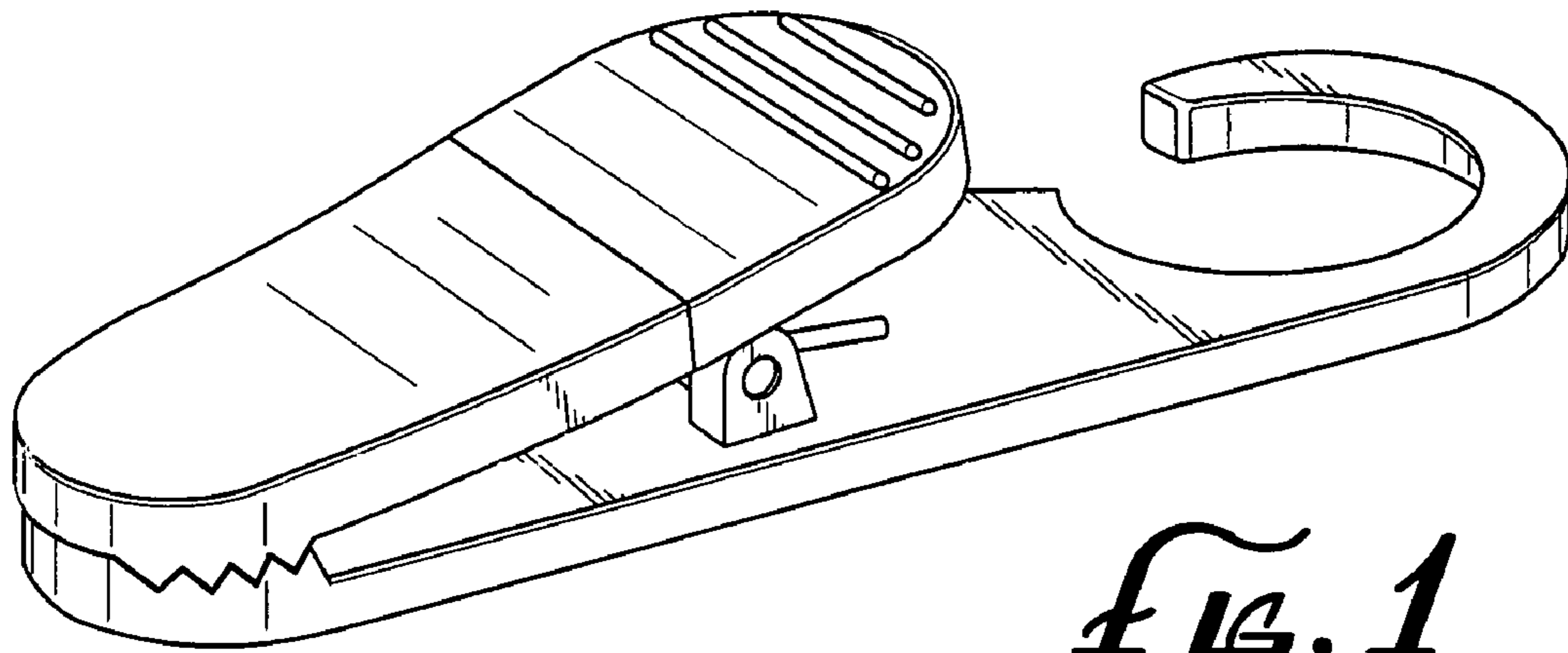


FIG. 1

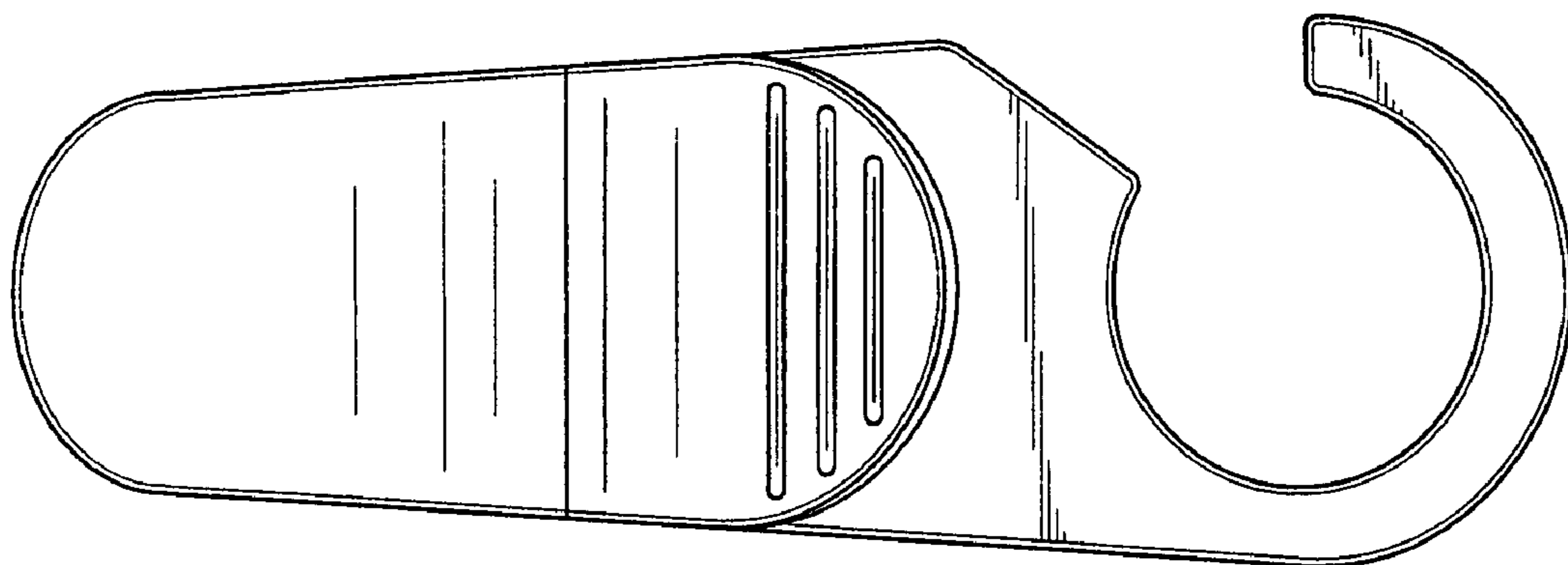


FIG. 2

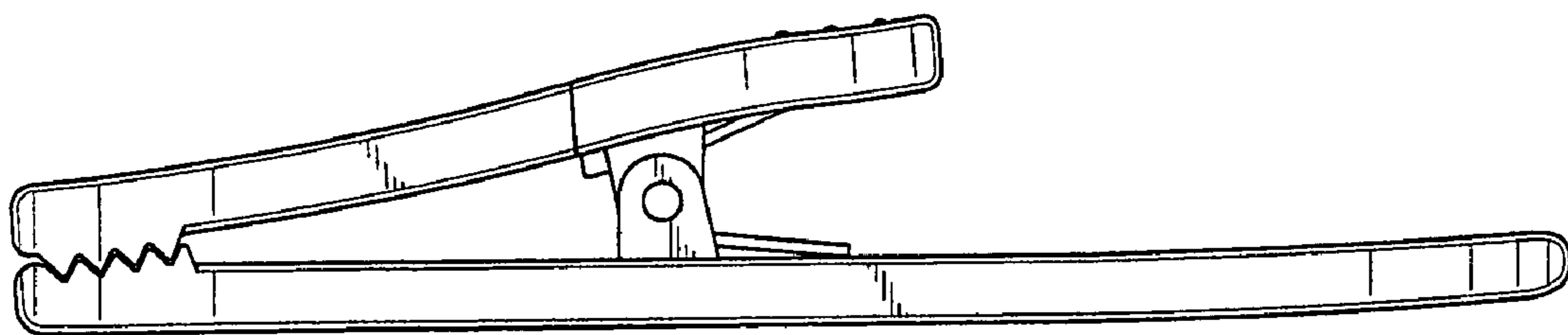


FIG. 3

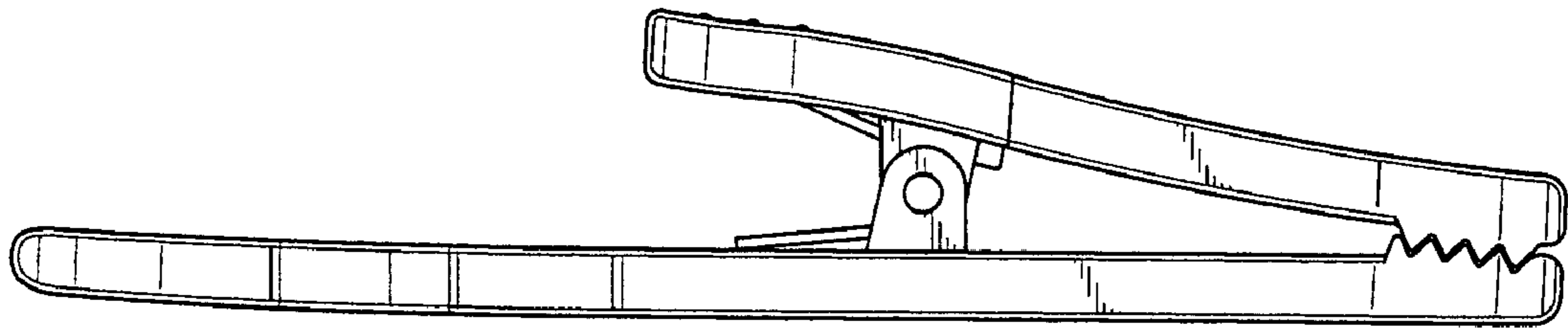


FIG. 4

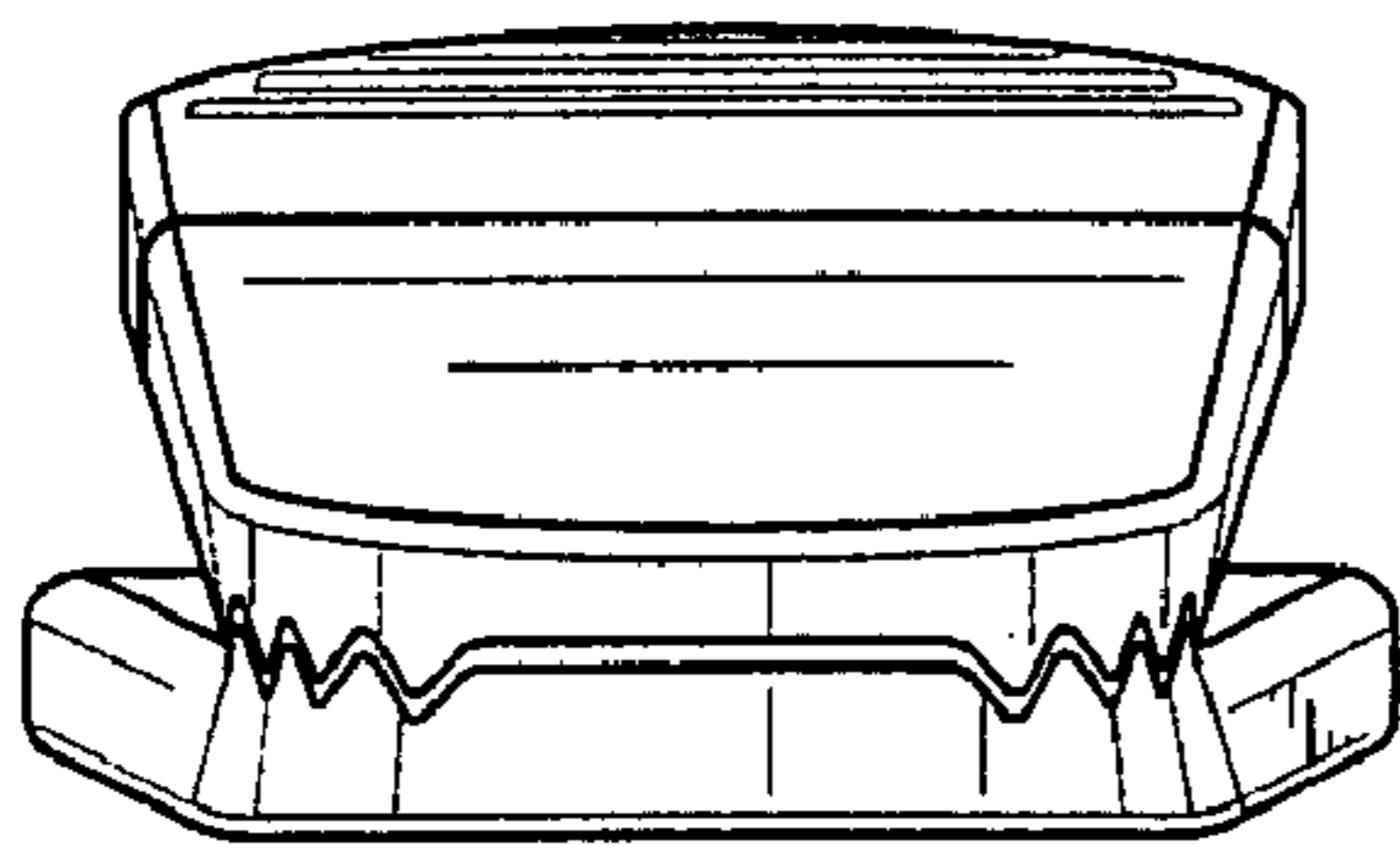


FIG. 5

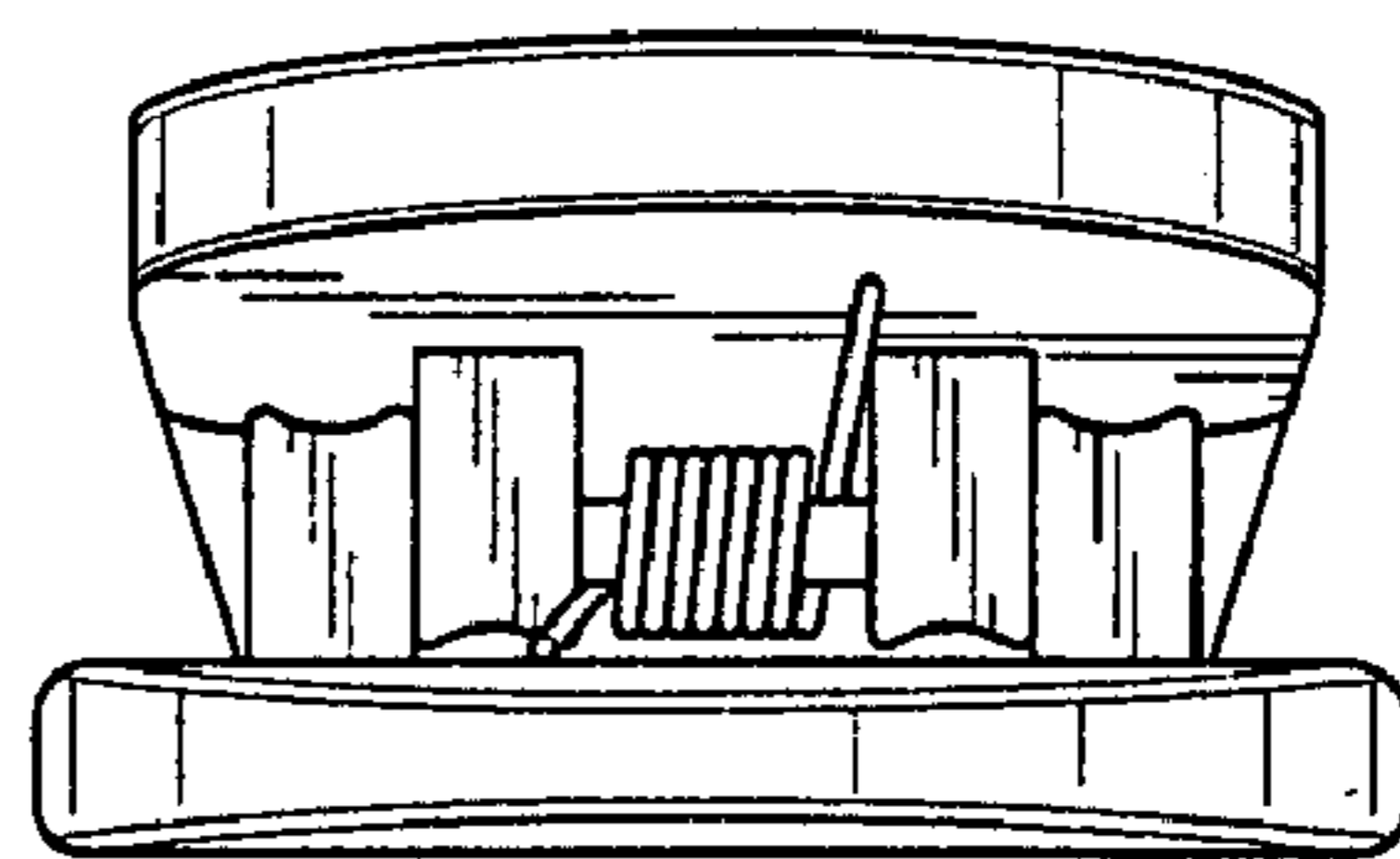


FIG. 6

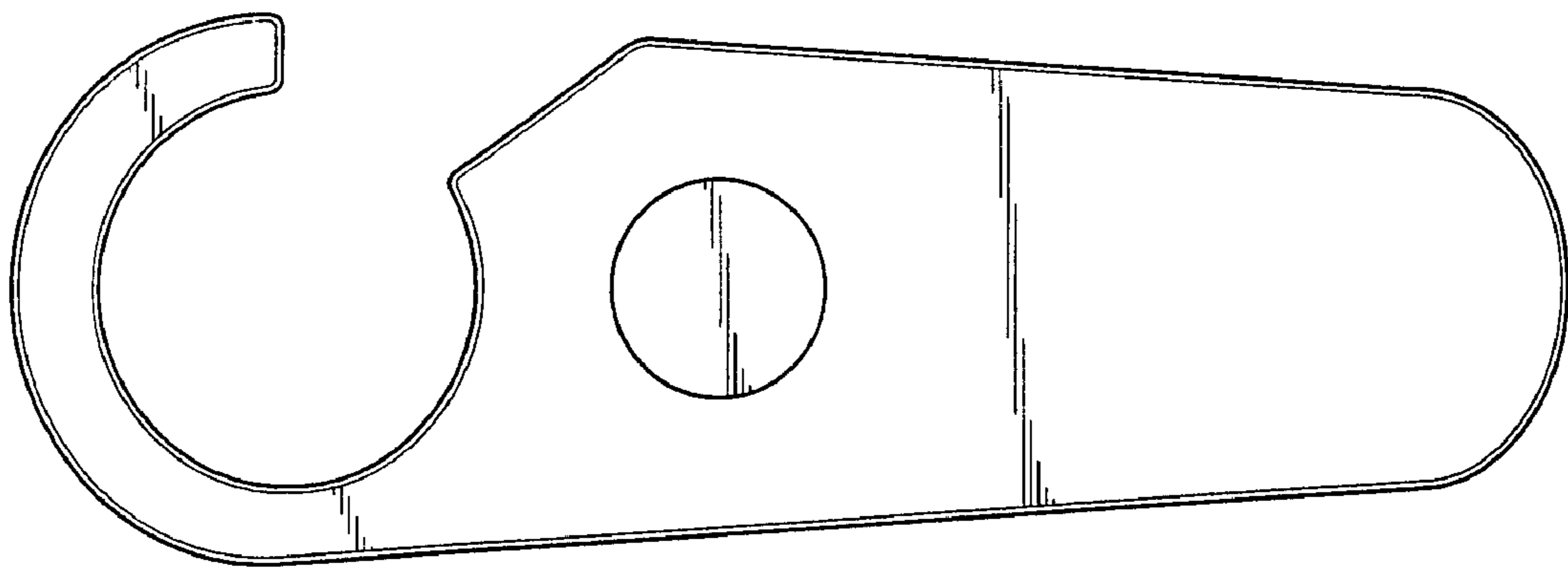


FIG. 7