

US00D552458S

(12) **United States Design Patent**
Adams et al.

(10) **Patent No.:** **US D552,458 S**

(45) **Date of Patent:** **** Oct. 9, 2007**

(54) **SUCTION CUP WITH BATH HOOK**

(75) Inventors: **William E. Adams**, Portersville, PA (US); **William E. Adams, IV**, Zelienople, PA (US); **Robert Schreiber**, Prospect, PA (US)

(73) Assignee: **Adams Mfg. Corp.**, Portersville, PA (US)

(**) Term: **14 Years**

(21) Appl. No.: **29/262,142**

(22) Filed: **Jun. 27, 2006**

(51) **LOC (8) Cl.** **08-05**

(52) **U.S. Cl.** **D8/367**

(58) **Field of Classification Search** D8/354, D8/367; D6/323; 241/132; 248/206.2
See application file for complete search history.

(56) **References Cited**

U.S. PATENT DOCUMENTS

1,560 A *	4/1840	Sargent	241/132
D222,766 S *	12/1971	Clayton	D8/367
D247,146 S *	2/1978	Watt, Jr.	D6/323
D267,137 S *	12/1982	Mayer	D8/367
D302,107 S *	7/1989	Adams	D8/354
4,848,713 A	7/1989	Adams		
4,863,129 A *	9/1989	Adams	248/206.2
5,078,356 A	1/1992	Adams		
D340,181 S	10/1993	Adams et al.		
D343,066 S *	1/1994	Hsu	D6/323
D393,098 S	3/1998	Adams		
D408,725 S	4/1999	Adams		

D425,317 S *	5/2000	Snell	D6/323
D456,695 S *	5/2002	Goodman et al.	D8/367
D472,061 S *	3/2003	Hoernig	D6/323
D473,453 S *	4/2003	Goodman et al.	D8/367

* cited by examiner

Primary Examiner—T. Chase Nelson

Assistant Examiner—Barbara B Lohr

(74) *Attorney, Agent, or Firm*—Buchanan Ingersoll & Rooney PC

(57) **CLAIM**

An ornamental design for a suction cup with bath hook, as shown and described.

DESCRIPTION

FIG. 1 is a perspective view showing the left side of our suction cup with bath hook;

FIG. 2 is a front view s thereof;

FIG. 3 is a top view thereof;

FIG. 4 is a bottom view thereof;

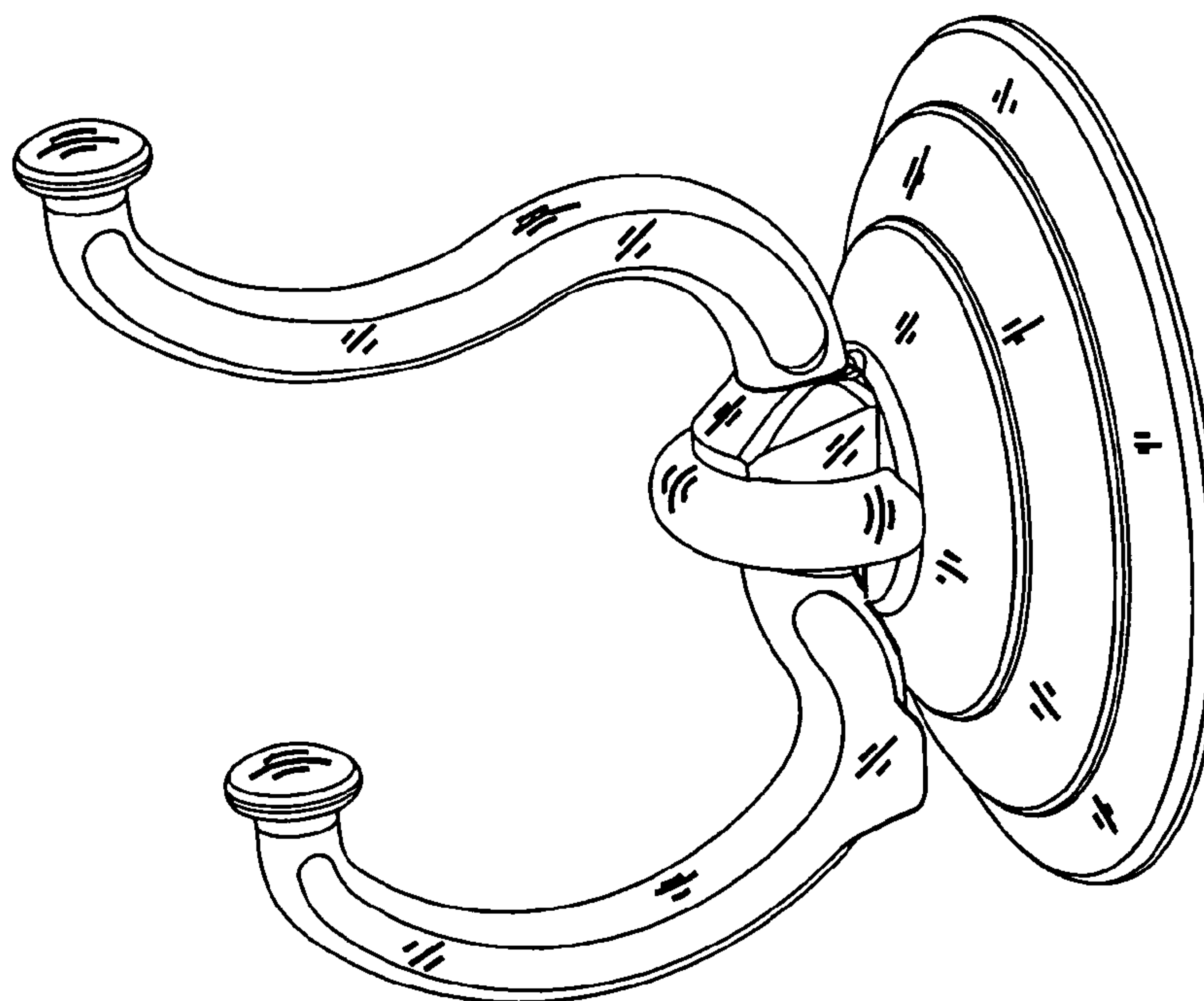
FIG. 5 is a left side view thereof, the right side view being a mirror image;

FIG. 6 is a rear view thereof;

FIG. 7 is a front view similar to FIG. 1 with the hook of the suction cup with bath hook rotated to a collapsed position for packaging; and,

FIG. 8 is a perspective view similar to FIG. 2 with the hook of the suction cup with bath hook in an alternate, collapsed position.

1 Claim, 4 Drawing Sheets



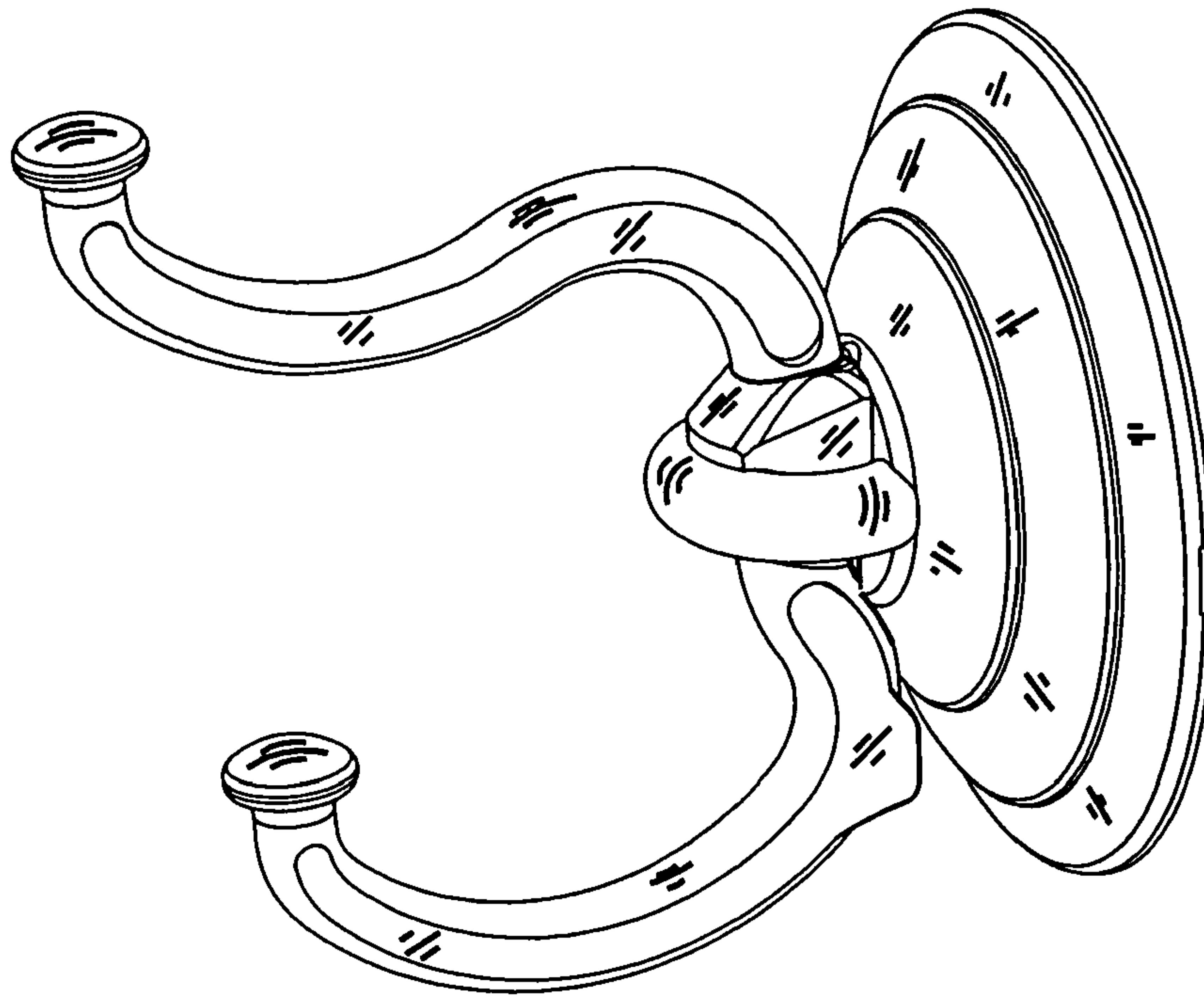


Figure 1

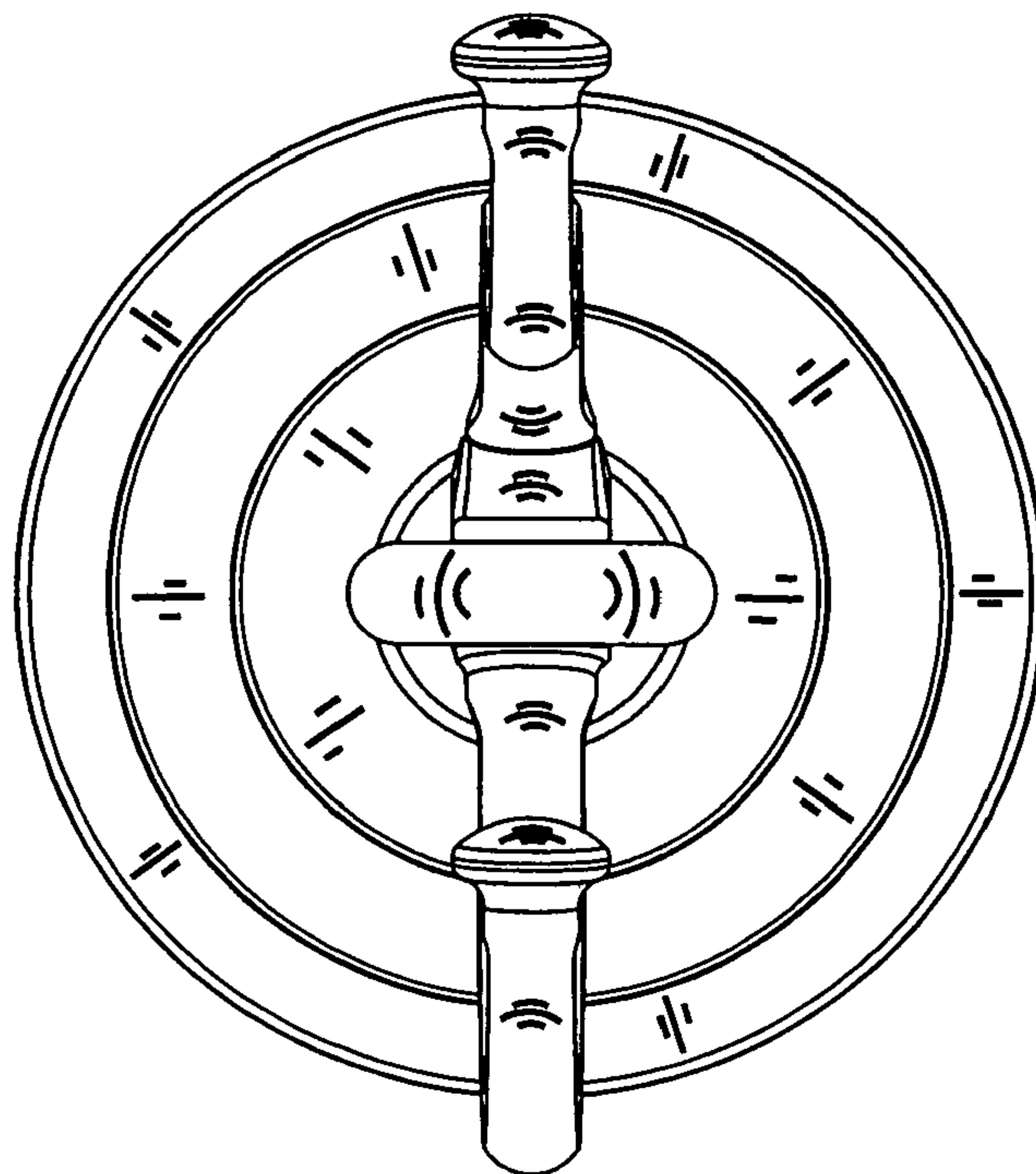


Figure 2

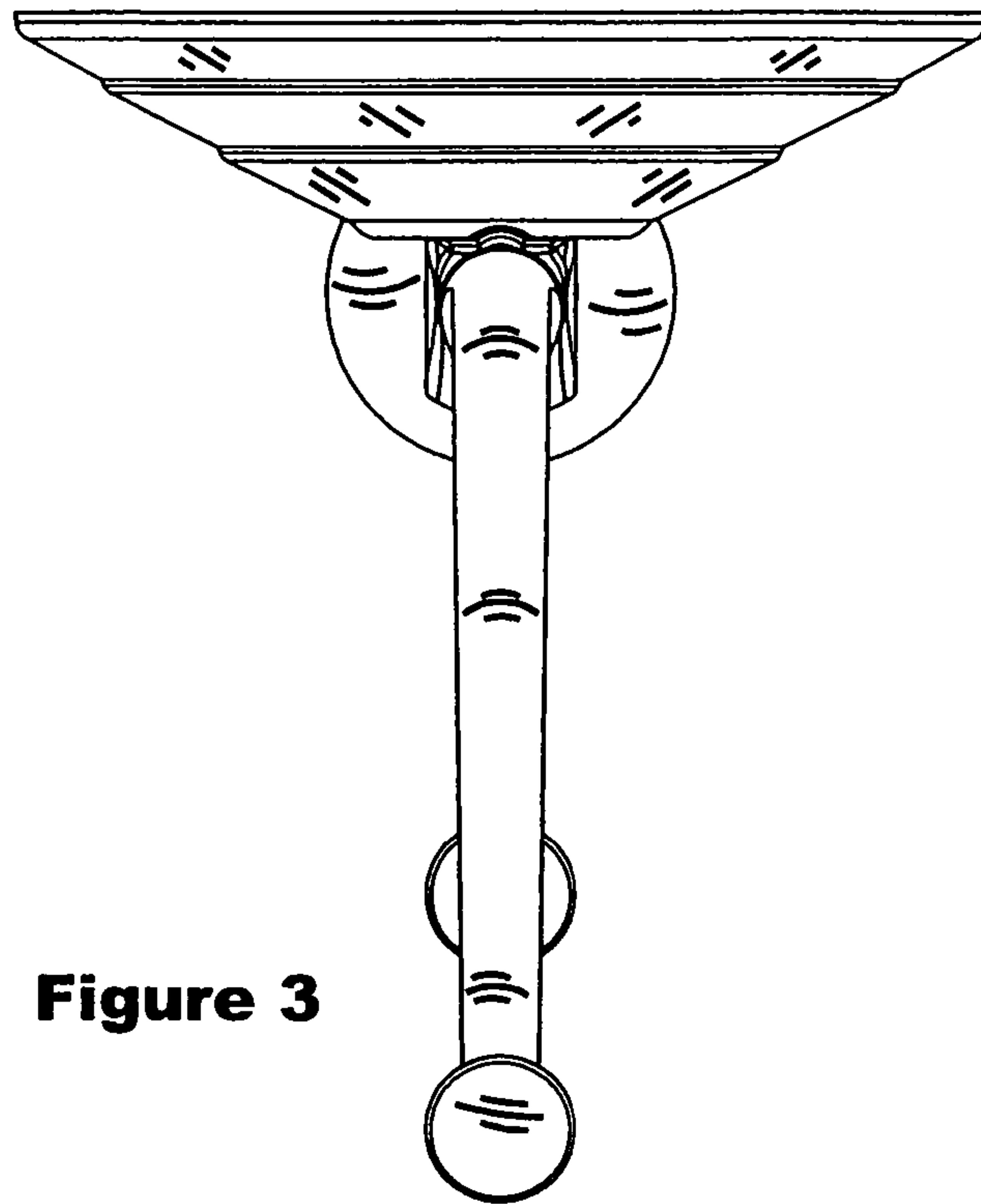


Figure 3

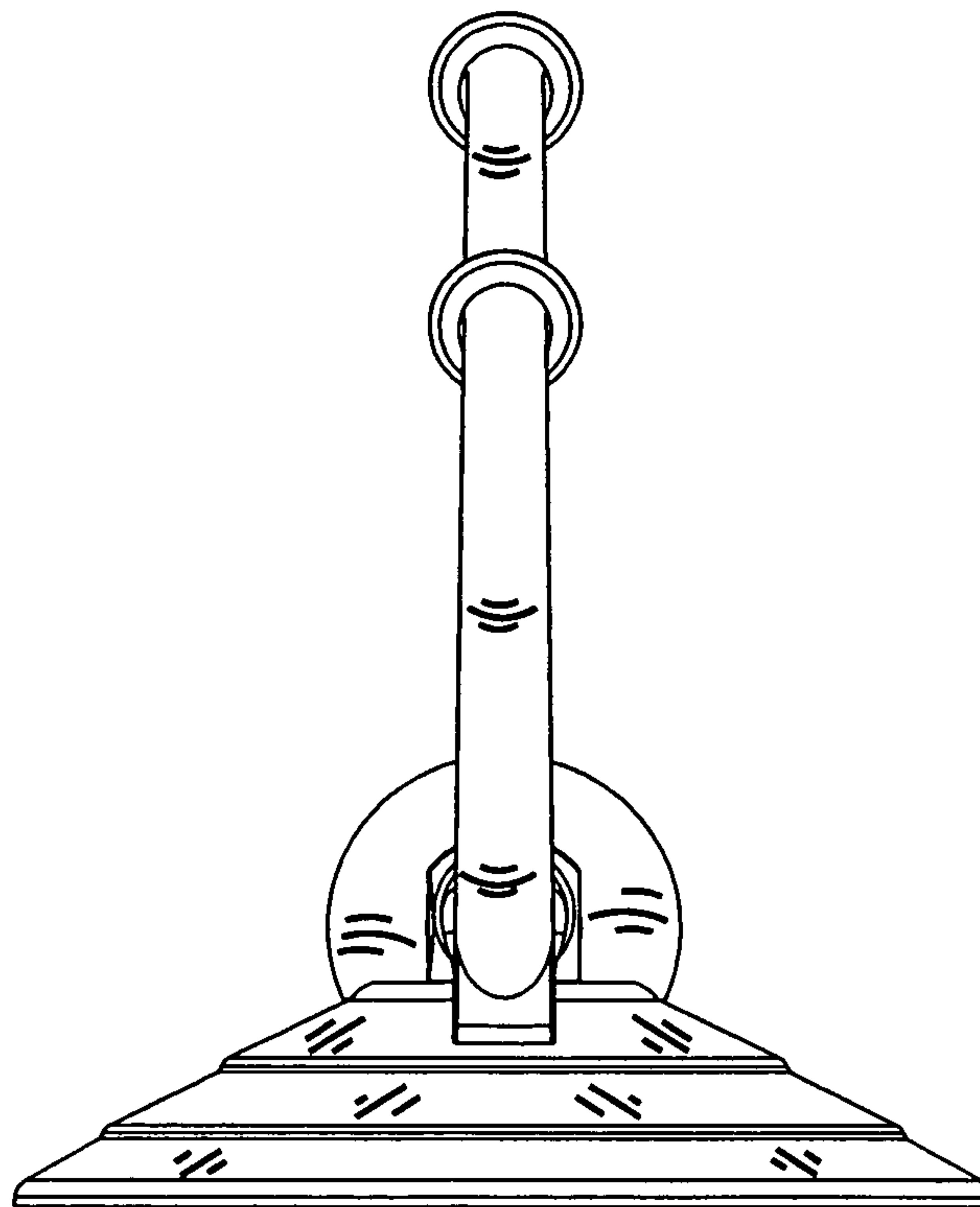


Figure 4

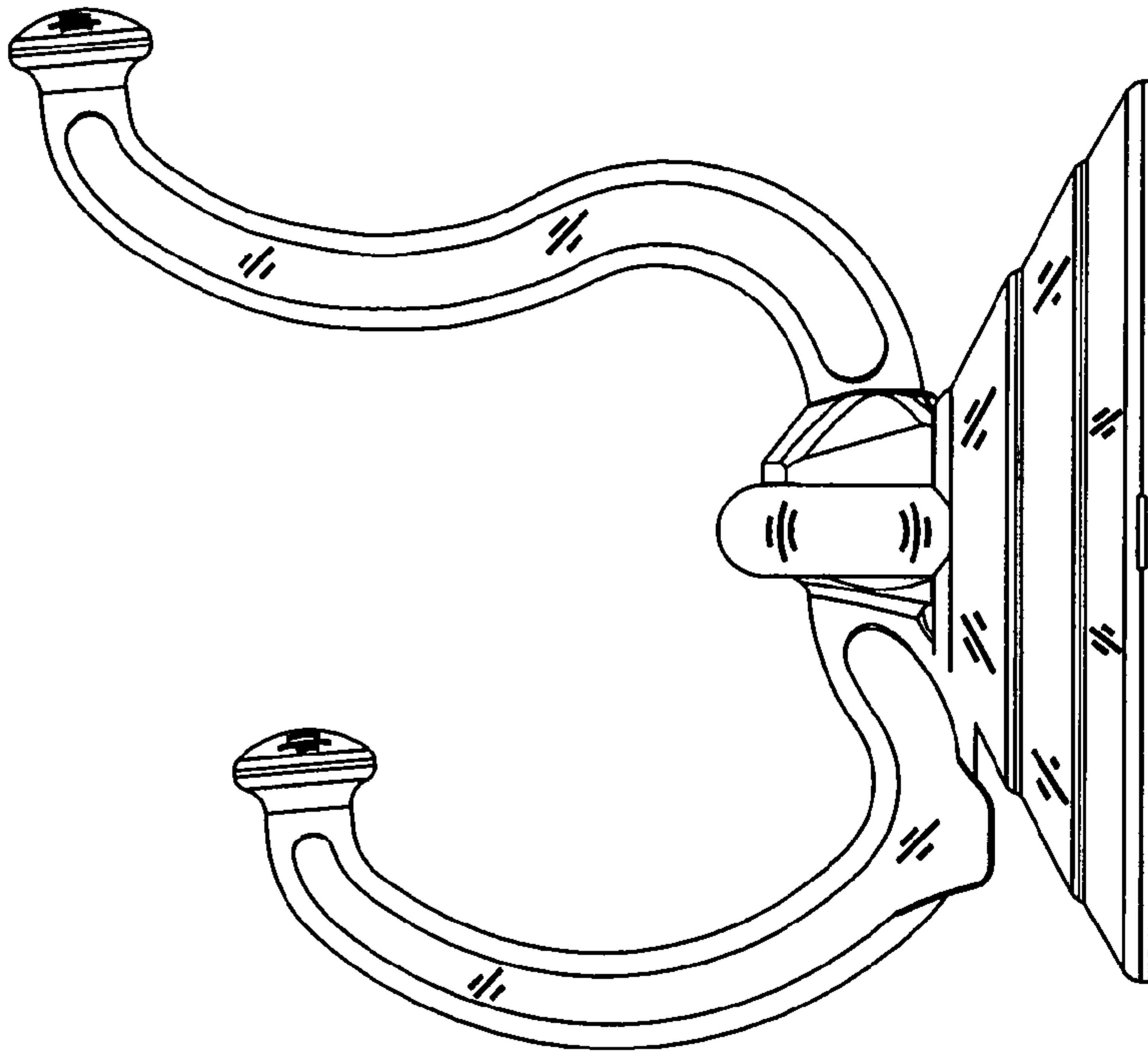


Figure 5

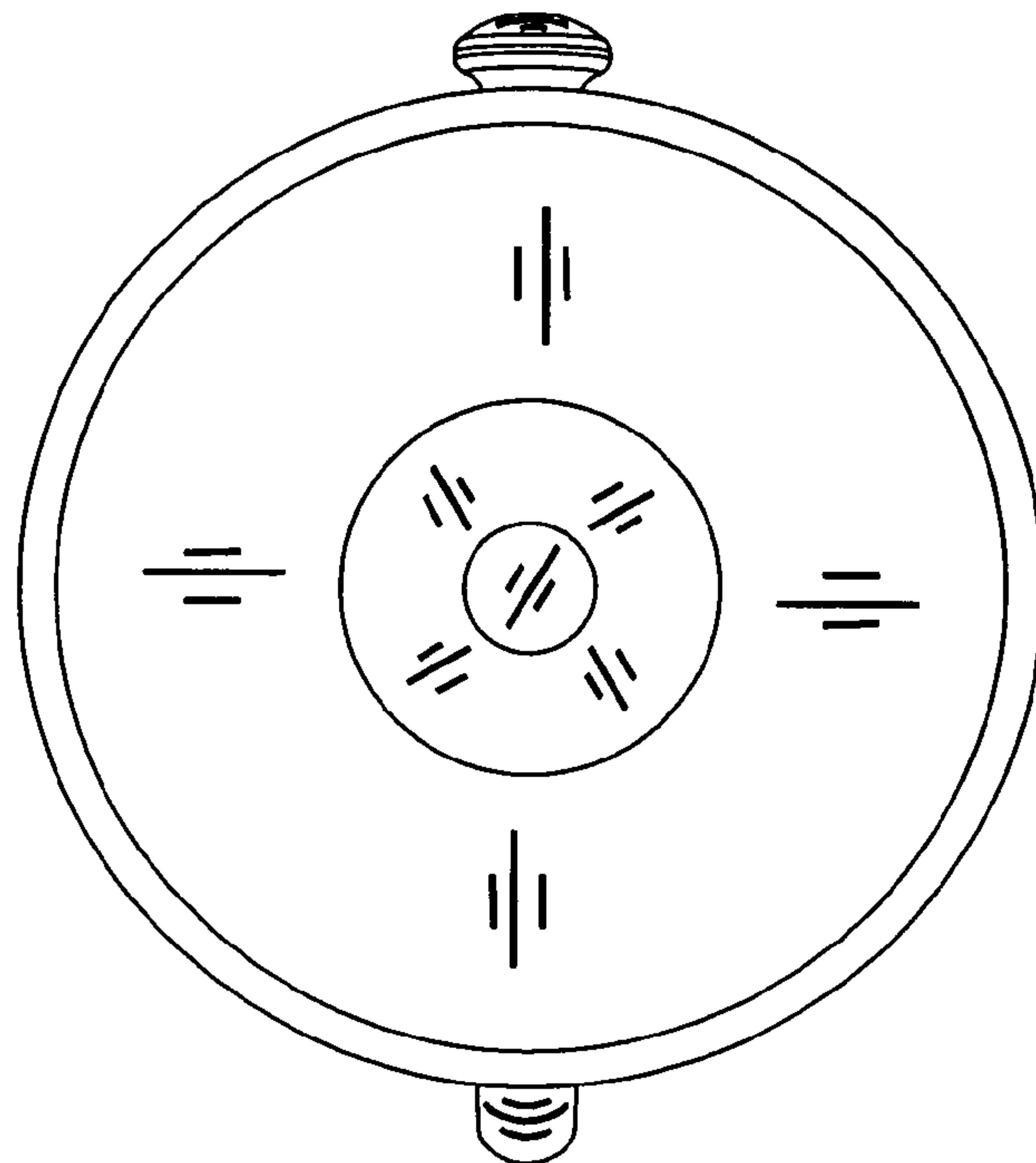


Figure 6

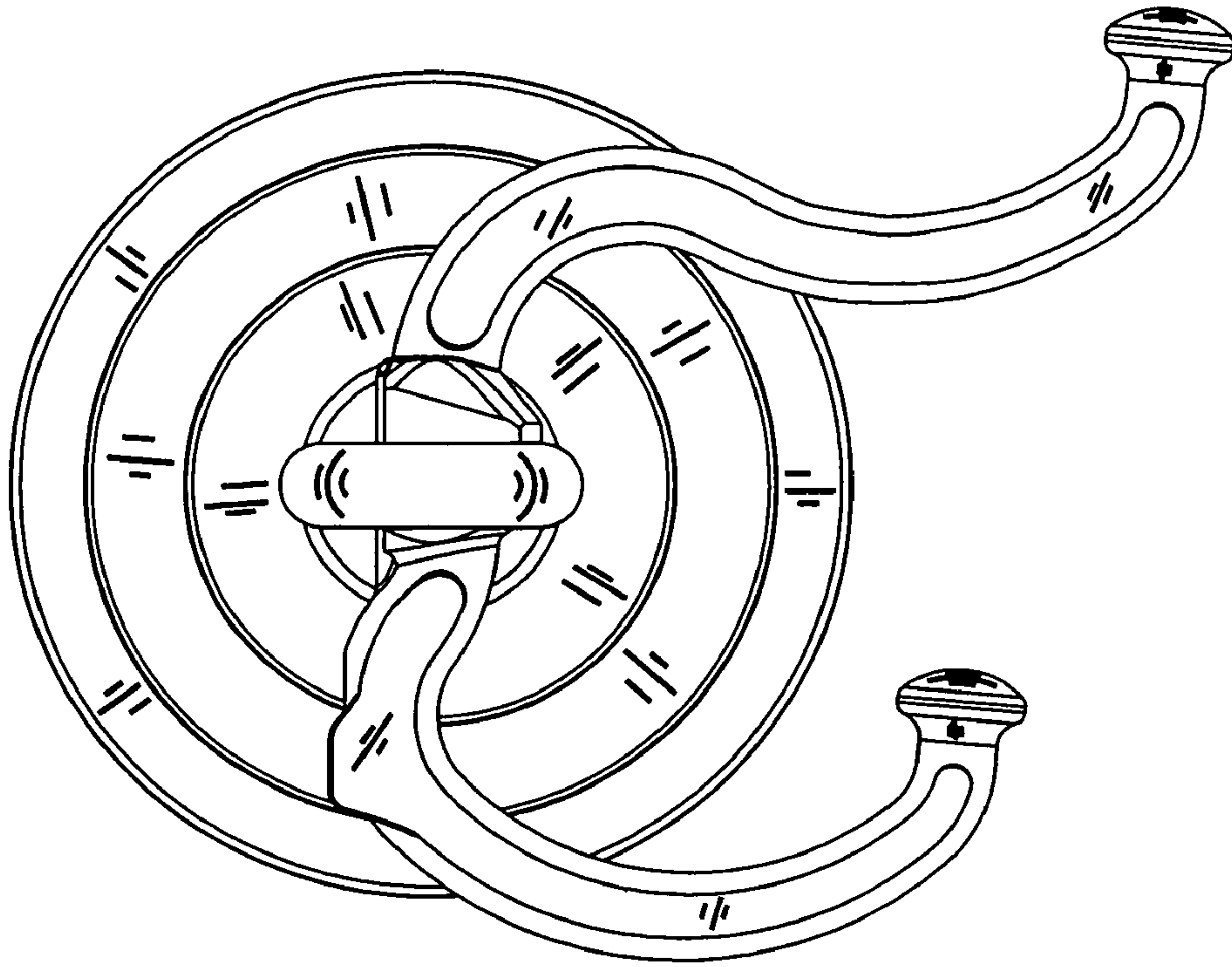


Figure 7

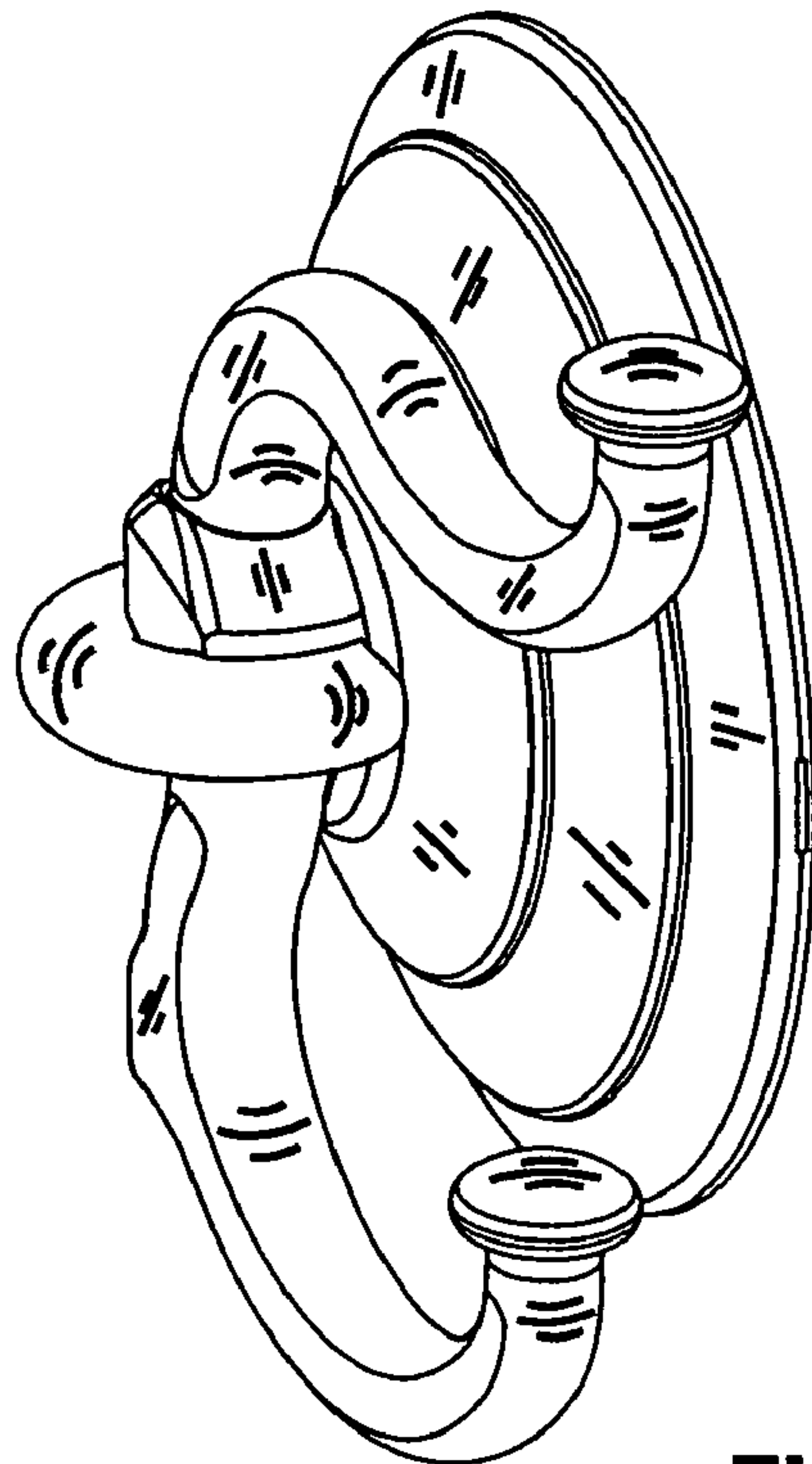


Figure 8