



US00D552457S

(12) **United States Design Patent**
Adams et al.

(10) **Patent No.:** **US D552,457 S**
(45) **Date of Patent:** **** Oct. 9, 2007**

(54) **TRIPOD MOUNTED HOOK**
(75) Inventors: **William E. Adams**, Portersville, PA
(US); **William E. Adams, IV**,
Zelienople, PA (US); **Robert Schreiber**,
Prospect, PA (US)
(73) Assignee: **Adams Mfg. Corp.**, Portersville, PA
(US)

D345,903 S 4/1994 Adams et al.
D346,735 S * 5/1994 Glisch et al. D8/367
D372,856 S * 8/1996 Friedman D8/367
D396,371 S * 7/1998 Oliver D6/552
D411,436 S * 6/1999 Krehel D8/367
D442,850 S * 5/2001 Gary et al. D8/367
6,276,649 B1 8/2001 Kruse
6,325,344 B1 12/2001 Gary et al.
D543,441 S * 5/2007 Hall D8/367

(**) Term: **14 Years**

* cited by examiner

(21) Appl. No.: **29/261,360**

Primary Examiner—T. Chase Nelson

Assistant Examiner—Barbara B Lohr

(22) Filed: **Jun. 13, 2006**

(74) *Attorney, Agent, or Firm*—Buchanan Ingersoll &
Rooney PC

(51) **LOC (8) Cl.** **08-05**

(57) **CLAIM**

(52) **U.S. Cl.** **D8/367**

(58) **Field of Classification Search** D8/363,
D8/367, 373; D6/552, 556; 211/106; 248/302,
248/303

An ornamental design for a tripod mounted hook, as shown
and described.

See application file for complete search history.

DESCRIPTION

(56) **References Cited**

FIG. 1 is a perspective view showing the left side of our
tripod mounted hook;

U.S. PATENT DOCUMENTS

266,704 A * 10/1882 Lufkin 248/302
1,694,235 A 12/1928 Schoenfelder
2,190,550 A 2/1940 Simmons
2,531,151 A * 11/1950 Patt 211/106
D168,820 S * 2/1953 Beltramini D8/370
D238,036 S * 12/1975 Entin et al. D6/556
4,073,462 A 2/1978 Whitaker
4,123,025 A * 10/1978 Darragh 248/303
4,361,116 A 11/1982 Kilham
D279,450 S * 7/1985 Chap D8/363
D289,256 S * 4/1987 Everett D8/373
5,039,045 A 8/1991 Adams et al.
D340,181 S 10/1993 Adams et al.

FIG. 2 is a perspective view showing the right side thereof;

FIG. 3 is a front view thereof;

FIG. 4 is a rear view thereof;

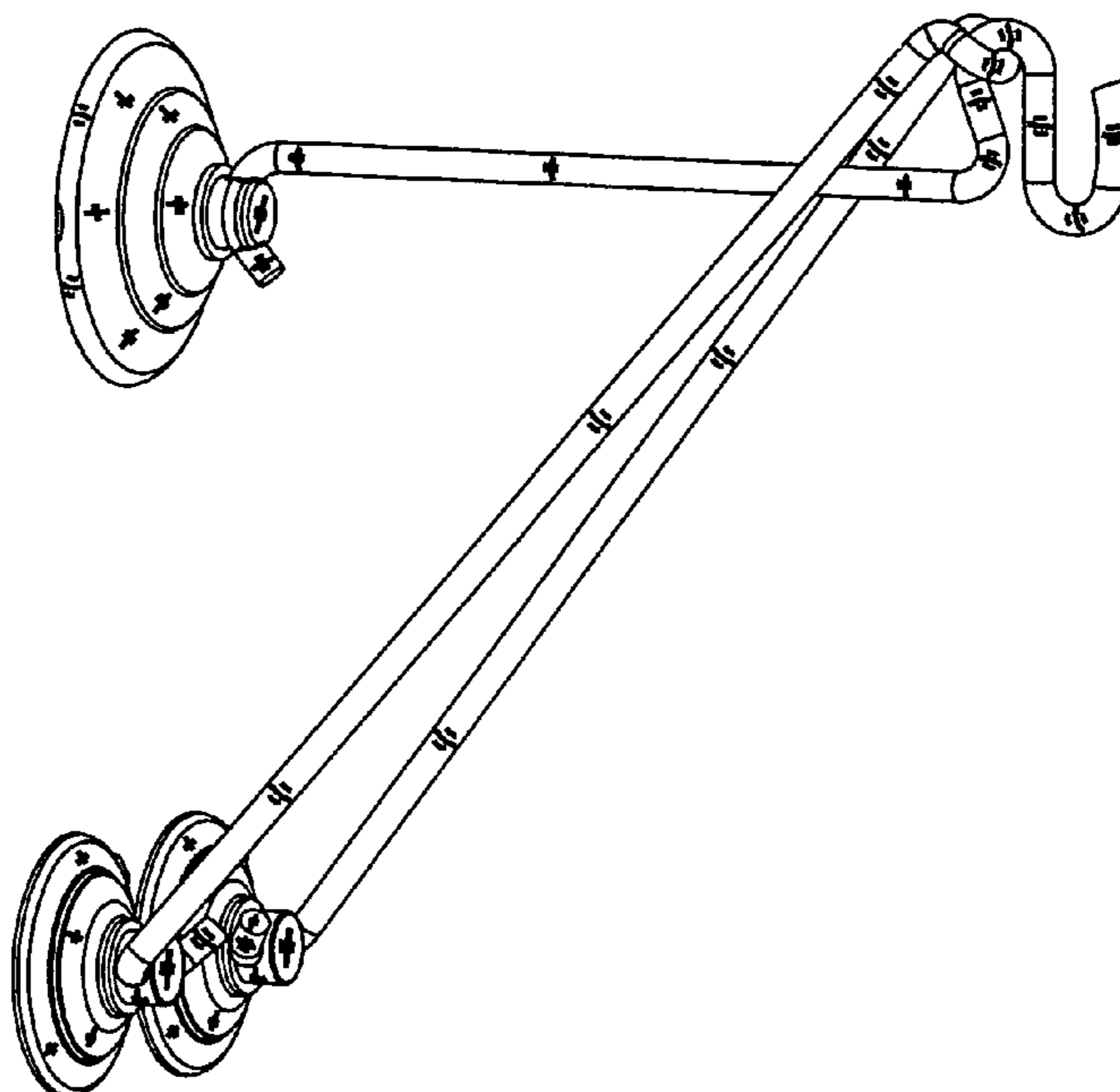
FIG. 5 is a top view thereof;

FIG. 6 is a bottom view thereof;

FIG. 7 is a right side view thereof; and,

FIG. 8 is a left side view showing the tripod mounted hook
in an alternate position in which the arms have been repo-
sitioned relative to one another.

1 Claim, 4 Drawing Sheets



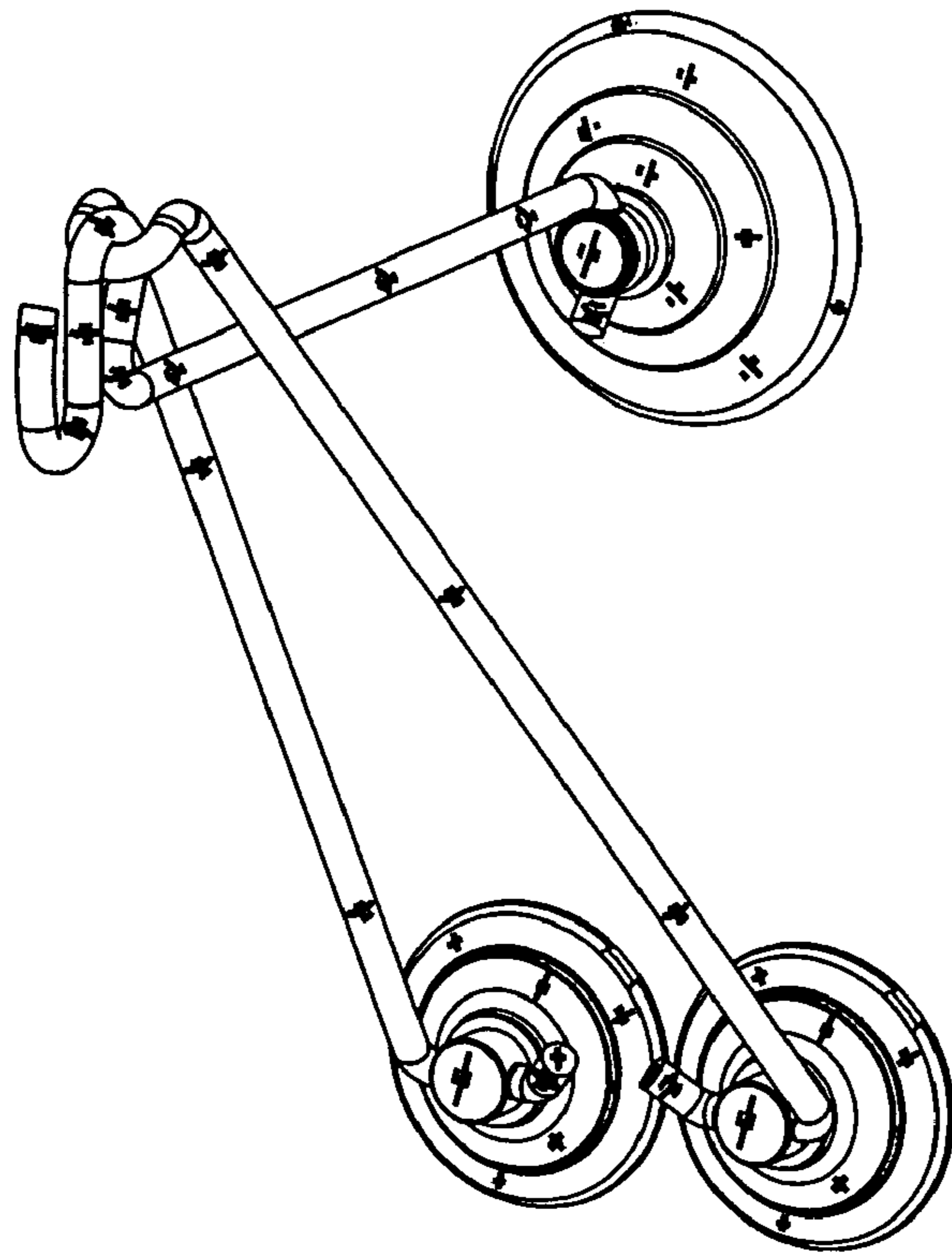


Figure 1

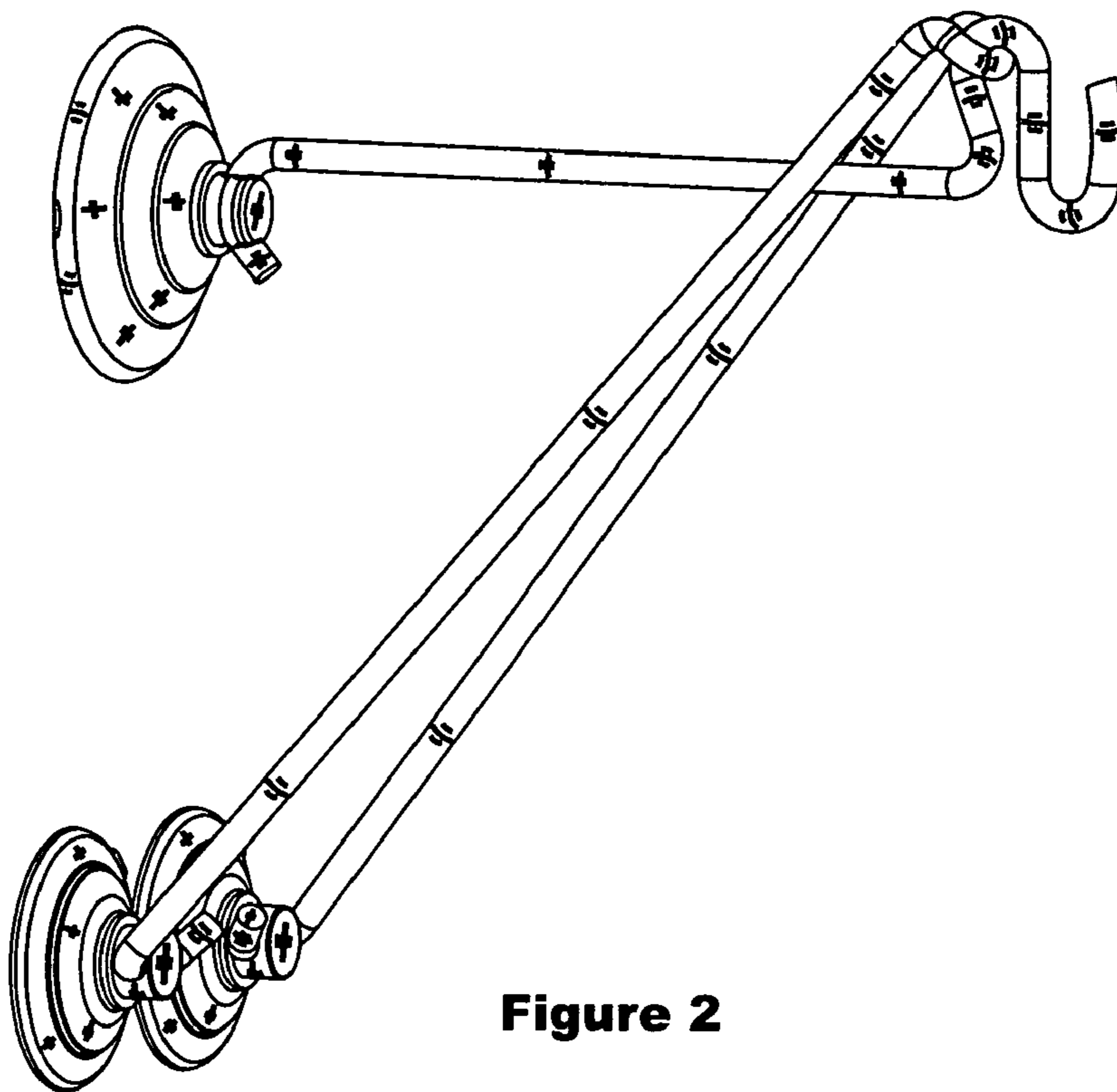


Figure 2

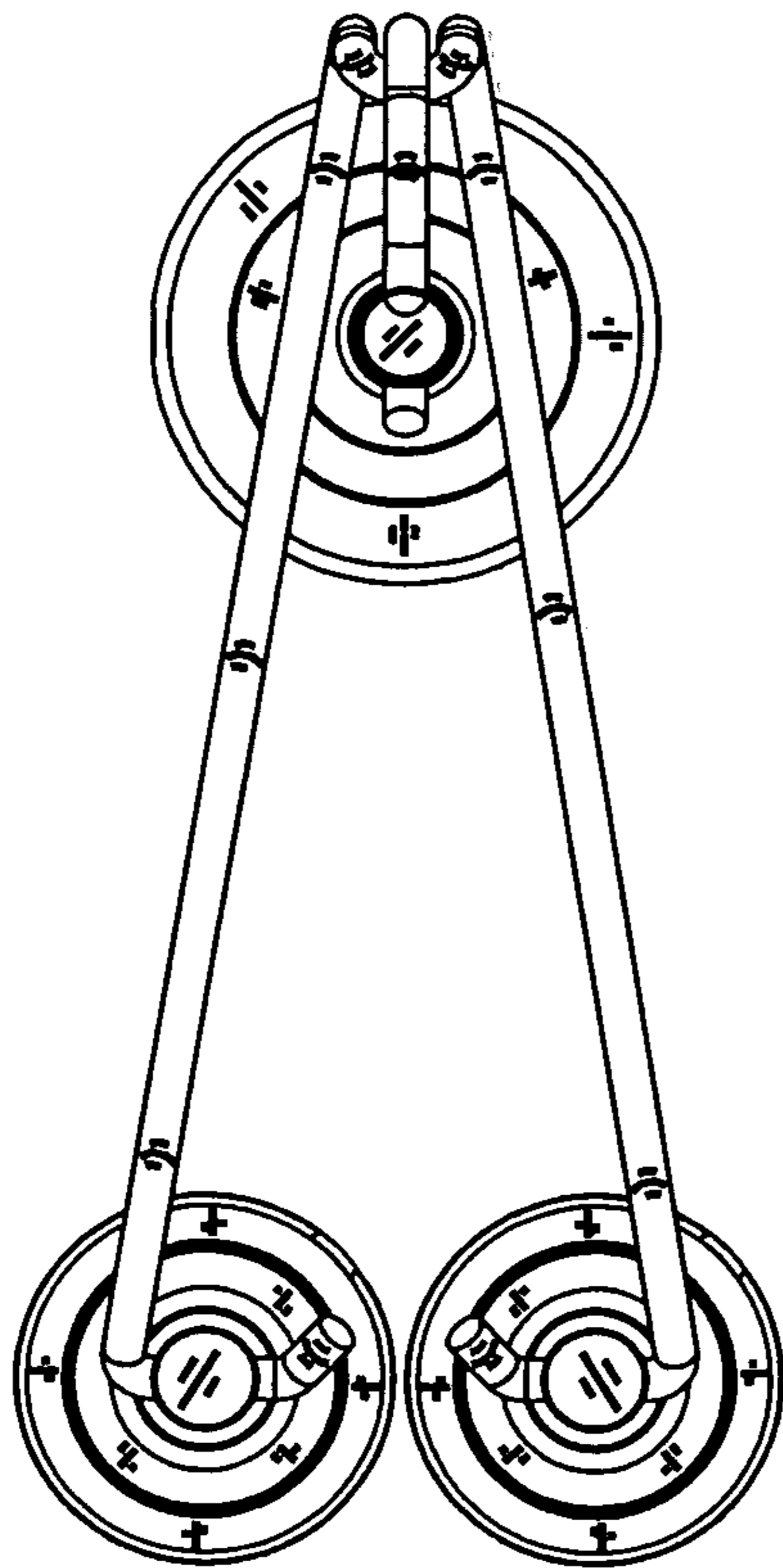


Figure 3

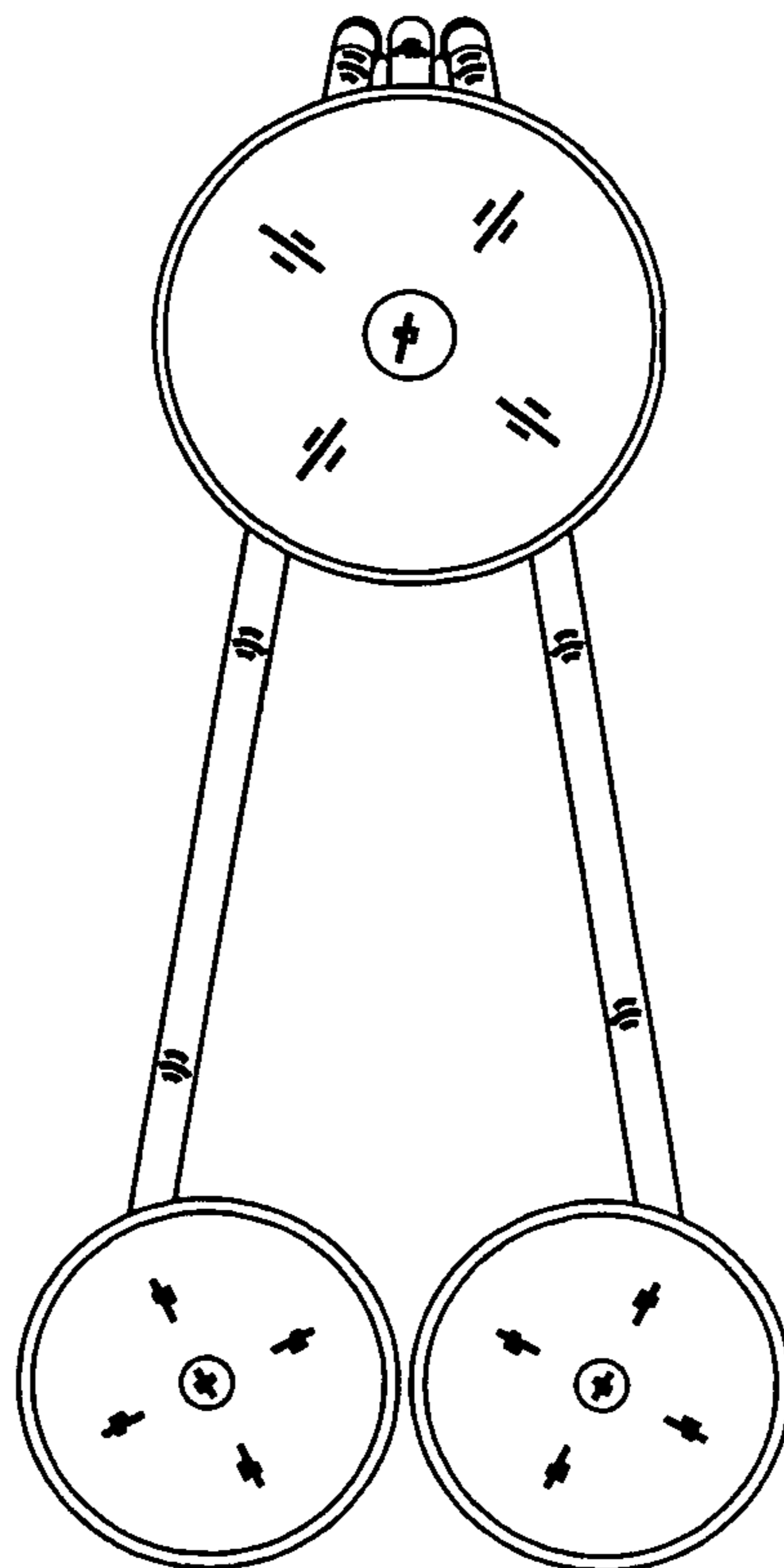


Figure 4

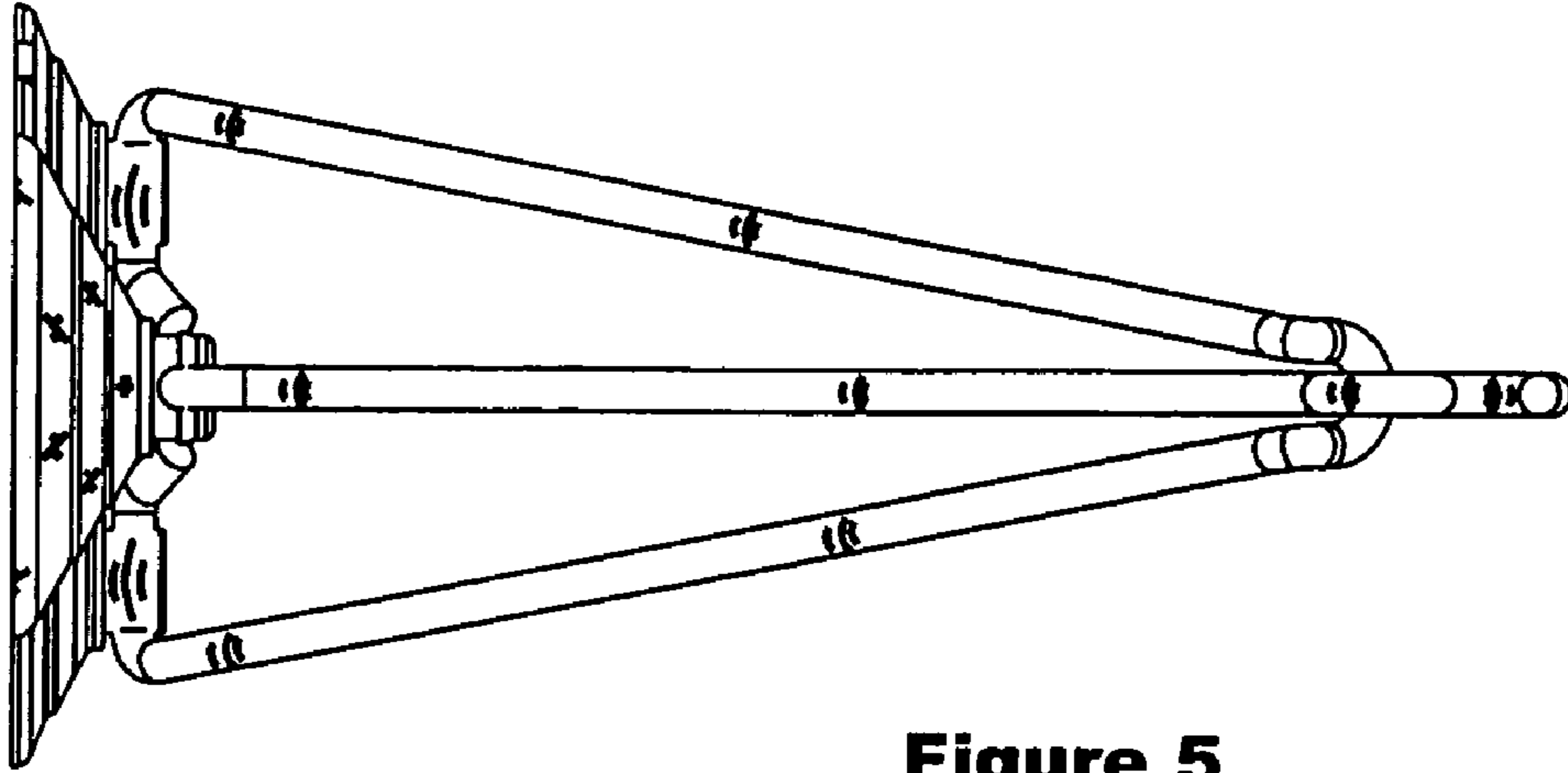


Figure 5

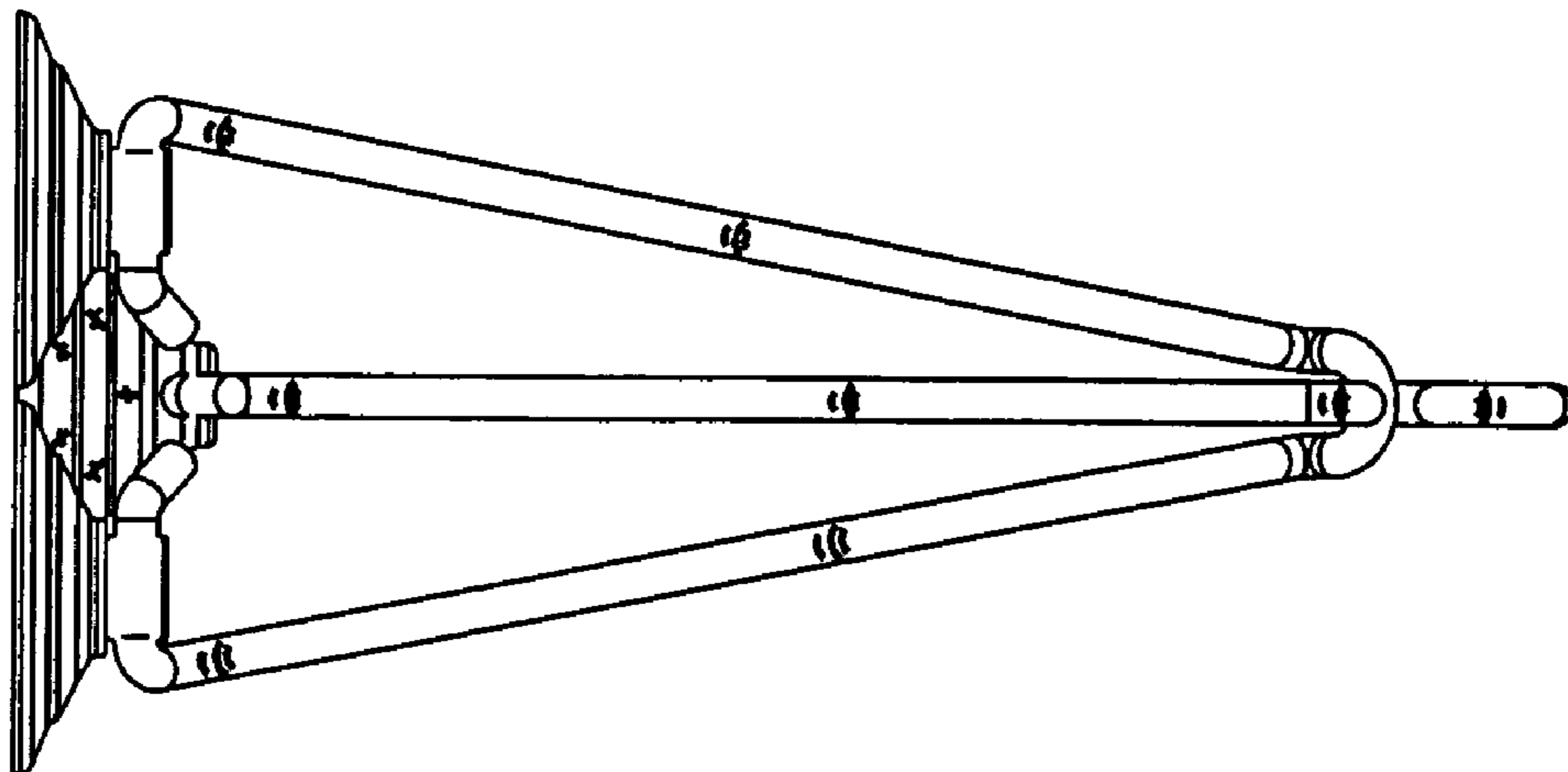


Figure 6

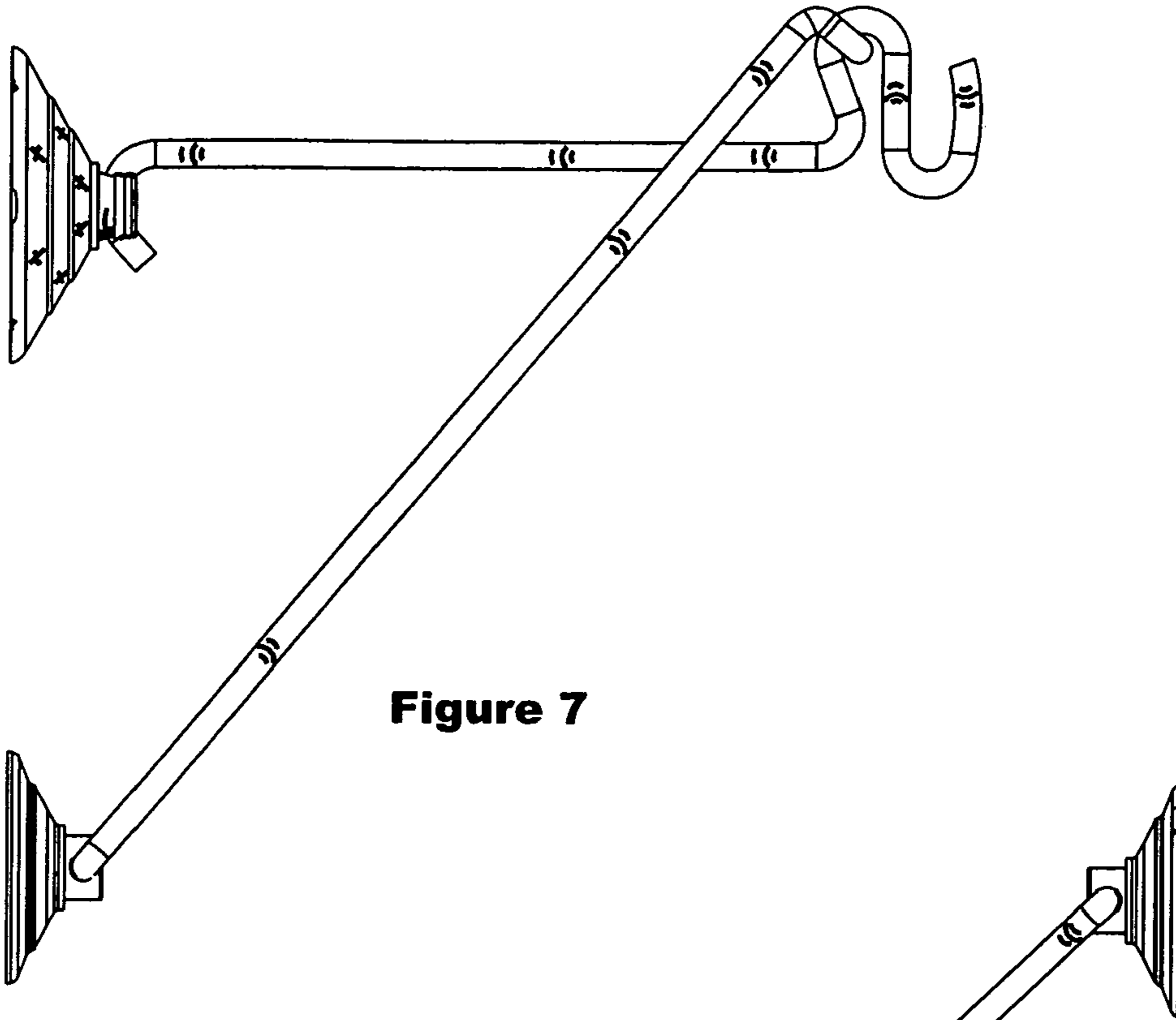


Figure 7

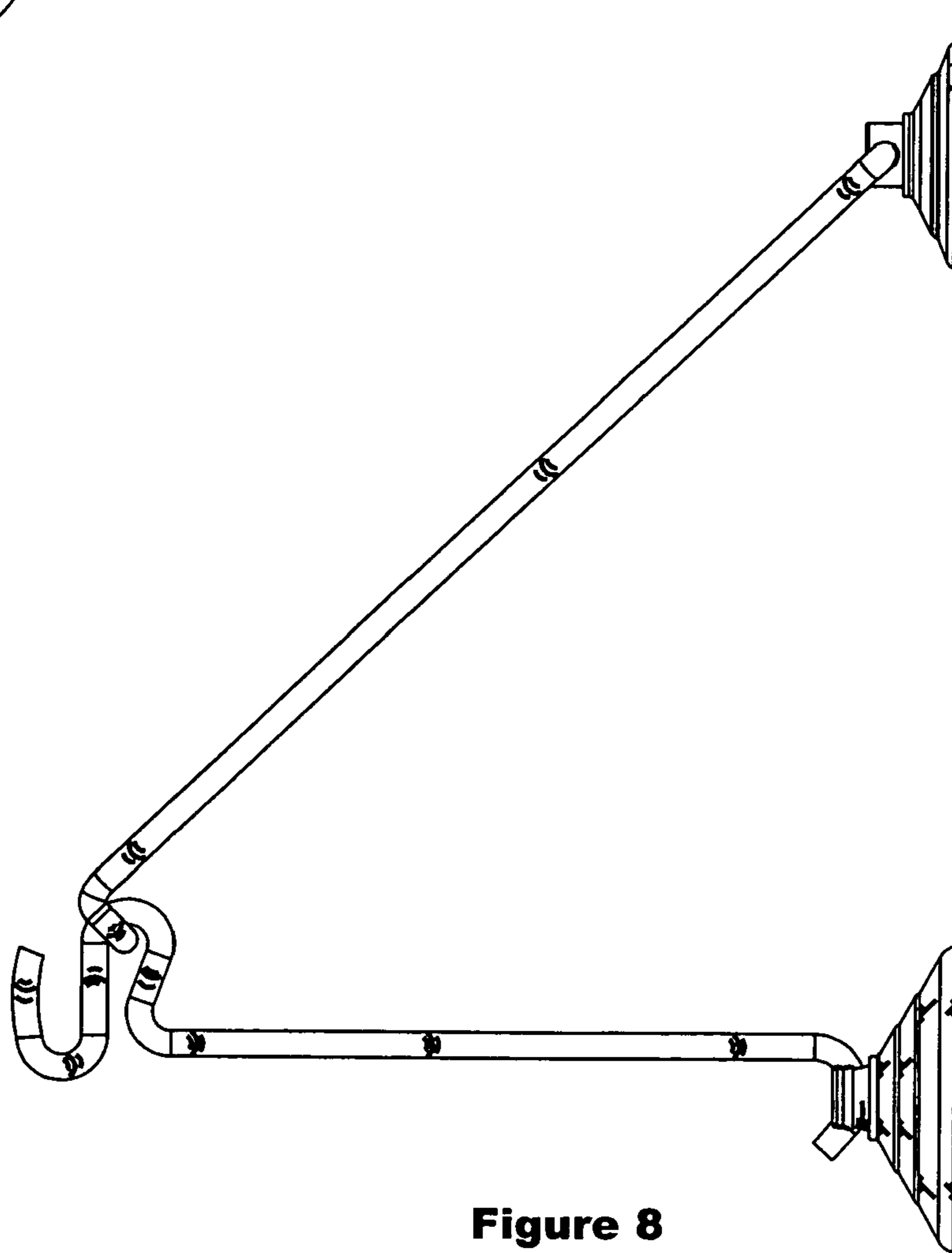


Figure 8