



US00D552455S

(12) **United States Design Patent**
Moore

(10) **Patent No.:** **US D552,455 S**

(45) **Date of Patent:** **** Oct. 9, 2007**

(54) **CURVED SHOWER ROD BRACKET**

(75) Inventor: **Sean A. Moore**, Houston, TX (US)

(73) Assignee: **Shower Solutions, LLC**, Vernon Hills, IL (US)

(**) Term: **14 Years**

(21) Appl. No.: **29/254,730**

(22) Filed: **Feb. 28, 2006**

(51) **LOC (8) Cl.** **08-05**

(52) **U.S. Cl.** **D8/363**

(58) **Field of Classification Search** D8/354,
D8/355, 363, 373; 248/309.1, 229.11; 211/105.4
See application file for complete search history.

(56) **References Cited**

U.S. PATENT DOCUMENTS

839,959 A	1/1907	Richards	
912,789 A	2/1909	Berbecker	
1,675,111 A	6/1928	Kenney	
2,131,156 A	9/1938	Yardley	
D119,576 S	3/1940	Kirsch	
2,383,104 A	8/1945	Allen	
2,650,714 A	9/1953	Brose et al.	
2,778,030 A	1/1957	Goche	
2,890,799 A	6/1959	Rosenbaum	
3,107,361 A	10/1963	Glutting, Sr.	
3,557,390 A	1/1971	Ruggles et al.	
4,229,842 A	10/1980	Gilmore	
4,496,059 A	1/1985	Leiter	
4,754,504 A	7/1988	Cellini	
5,103,531 A	4/1992	Perrotta	
D374,167 S	10/1996	Scholl	
D393,390 S	4/1998	Gottwald	
5,794,281 A	8/1998	Shearon	
D397,928 S	9/1998	Wise	
6,024,331 A *	2/2000	Bischoff et al.	248/229.1
D426,142 S	6/2000	Moore	

6,216,287 B1	4/2001	Wise	
6,263,523 B1	7/2001	Moore	
6,694,543 B2	2/2004	Moore	
D498,663 S	11/2004	Moore	
D499,954 S *	12/2004	Brushaber	D8/355

OTHER PUBLICATIONS

AU 111109 S (Lesis Kenneth Brown) May 23, 1991 [online] [retrieved May 19, 2007]. Retrieved from Australian patent database.*

AU 136336 S (Council of the City of Sydney) Feb. 3, 1999 [online] [retrieved on May 19, 2007]. Retrieved from Australian patent database.*

* cited by examiner

Primary Examiner—Holly H. Baynham

(74) *Attorney, Agent, or Firm*—Michael Best & Friedrich LLP

(57) **CLAIM**

I claim the ornamental design for a curved shower rod bracket, as shown and described.

DESCRIPTION

FIG. 1 is an upper perspective view of the curved shower rod bracket showing my design.

FIG. 2 is a front view thereof;

FIG. 3 is a back view thereof;

FIG. 4 is a side view thereof;

FIG. 5 is an opposite side view thereof;

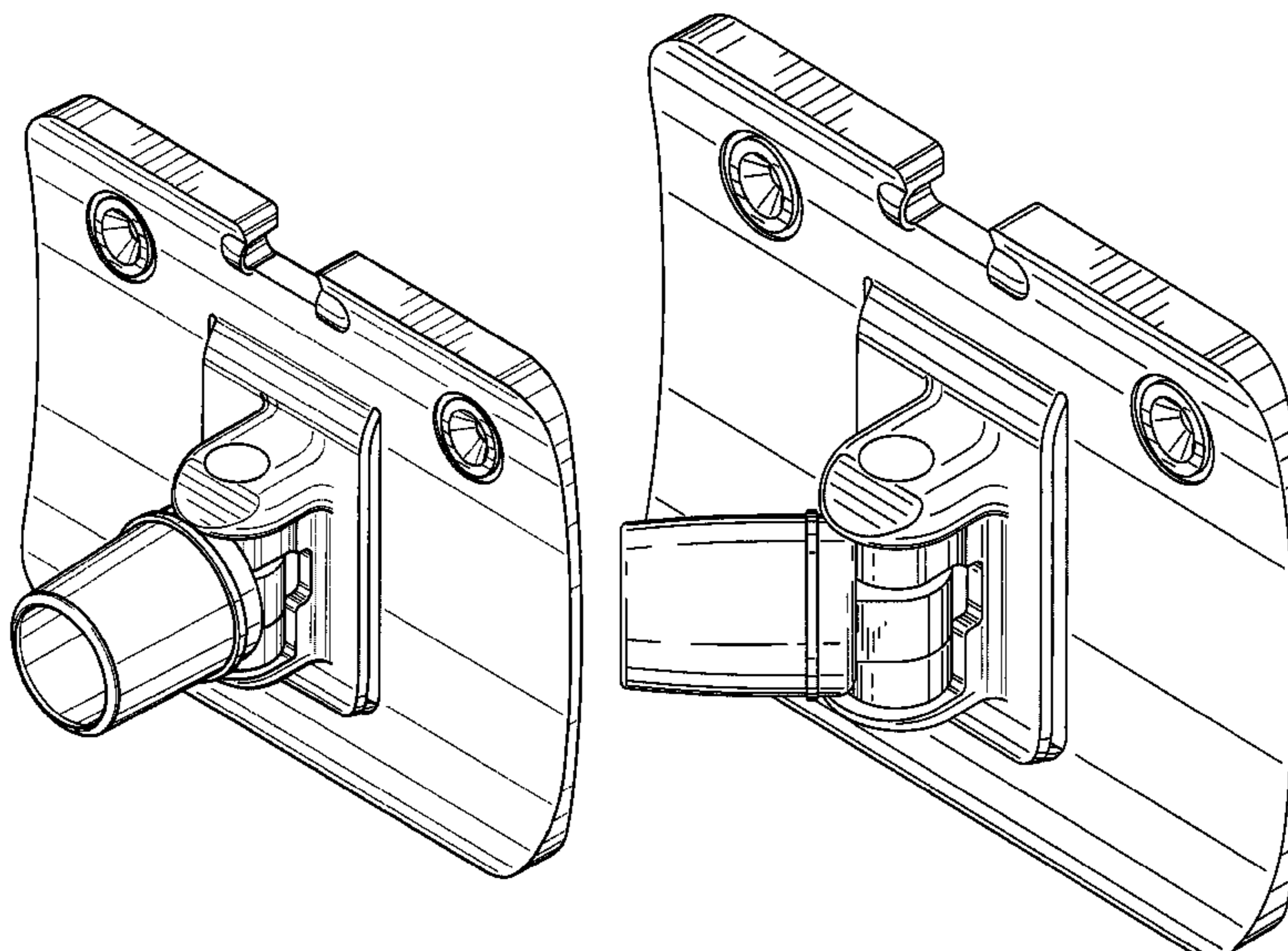
FIG. 6 is a top plan view thereof;

FIG. 7 is a bottom view thereof; and,

FIG. 8 is another upper perspective view thereof showing an alternate position of the element for holding the shower rod.

The broken lines are presented for illustrative purposes only and form no part of the claimed design.

1 Claim, 5 Drawing Sheets



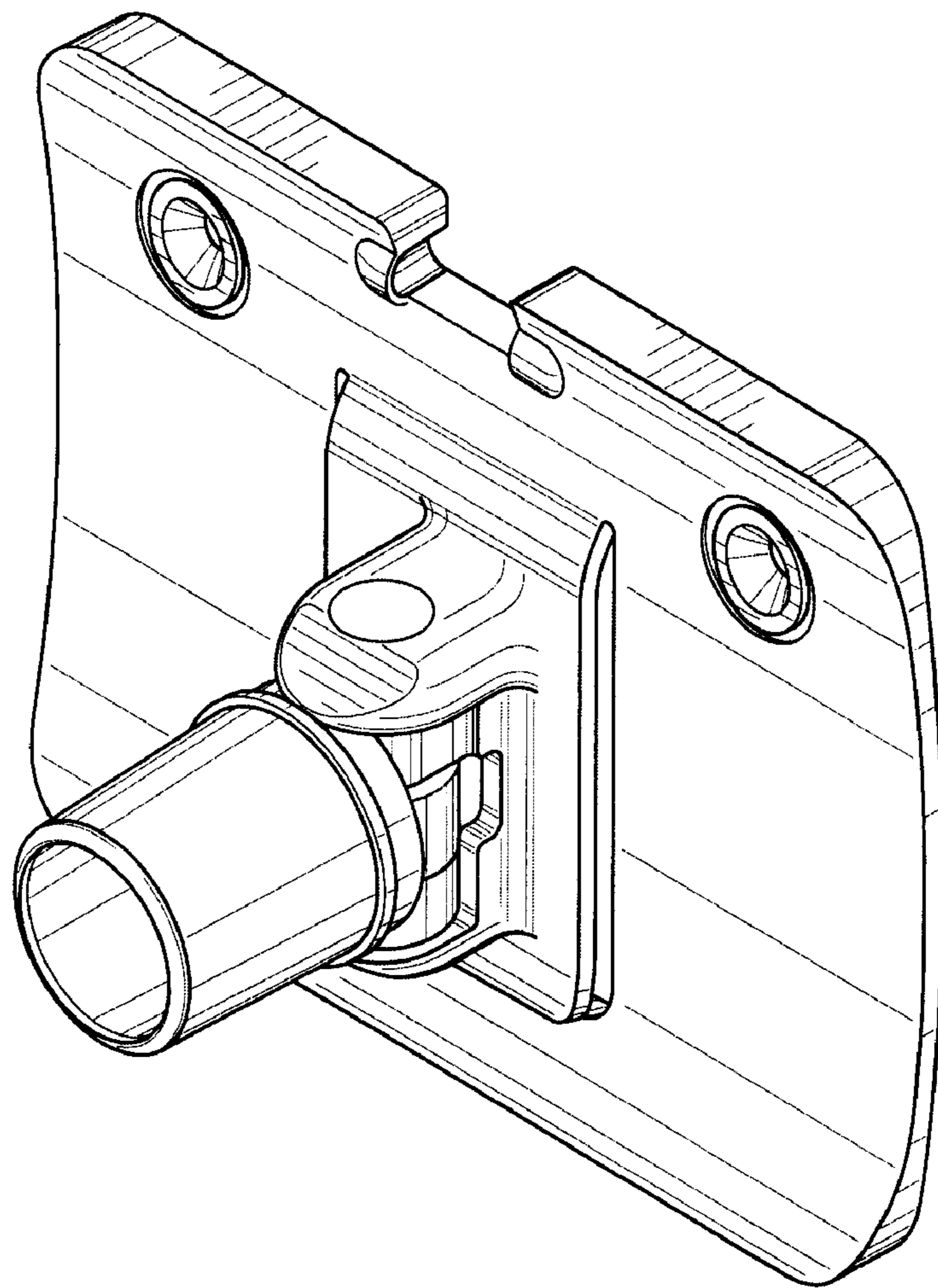


FIG. 1

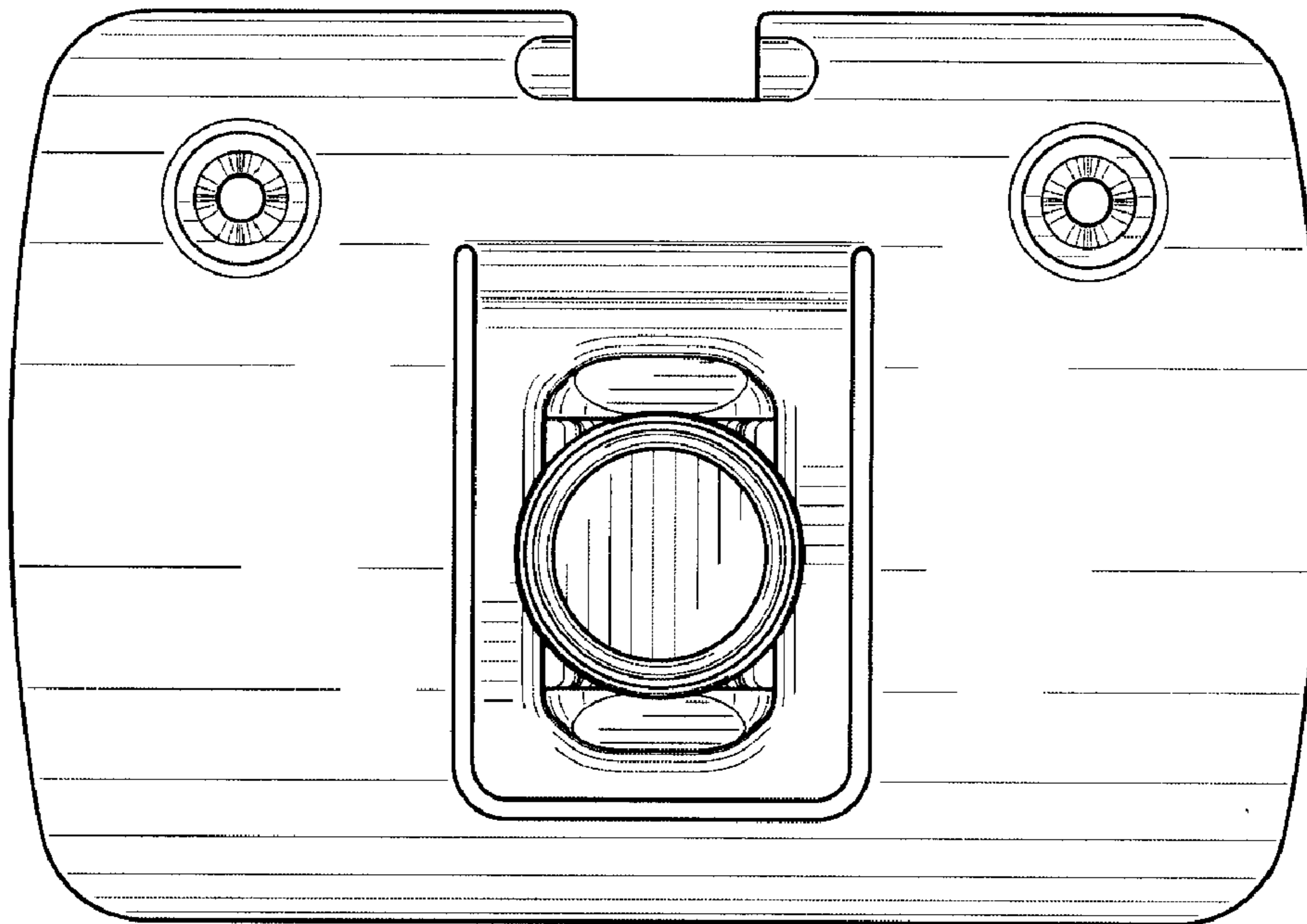


FIG. 2

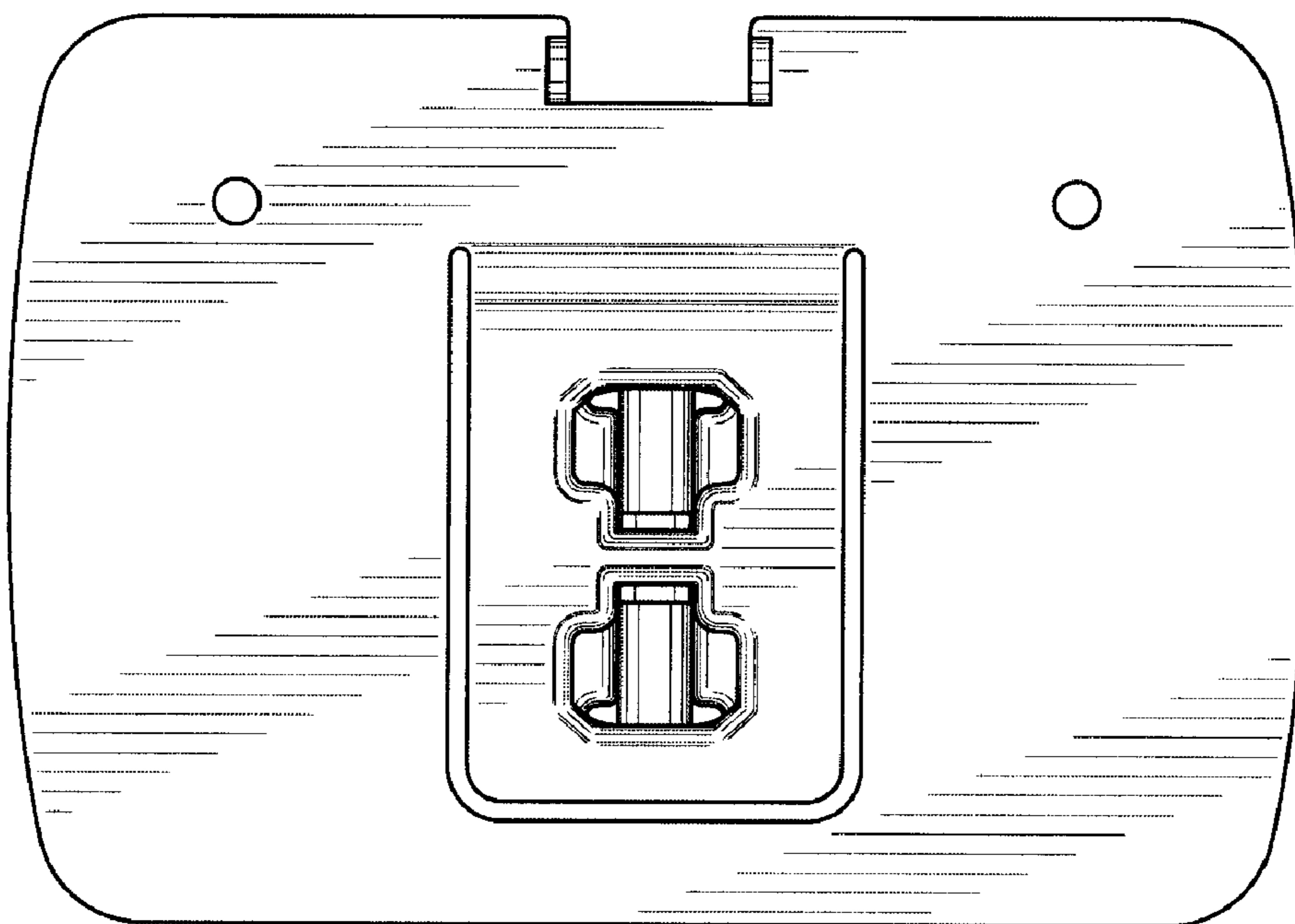


FIG. 3

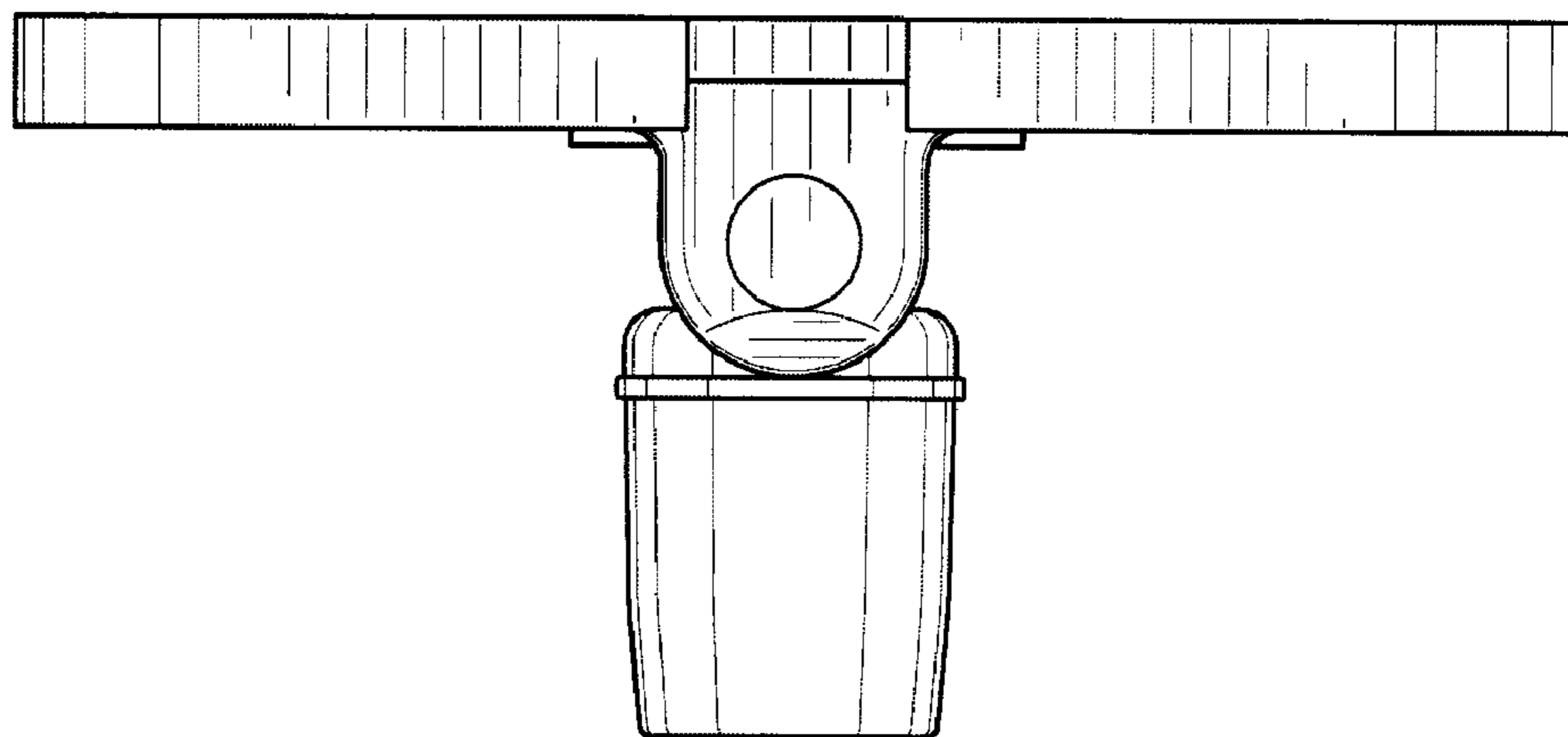
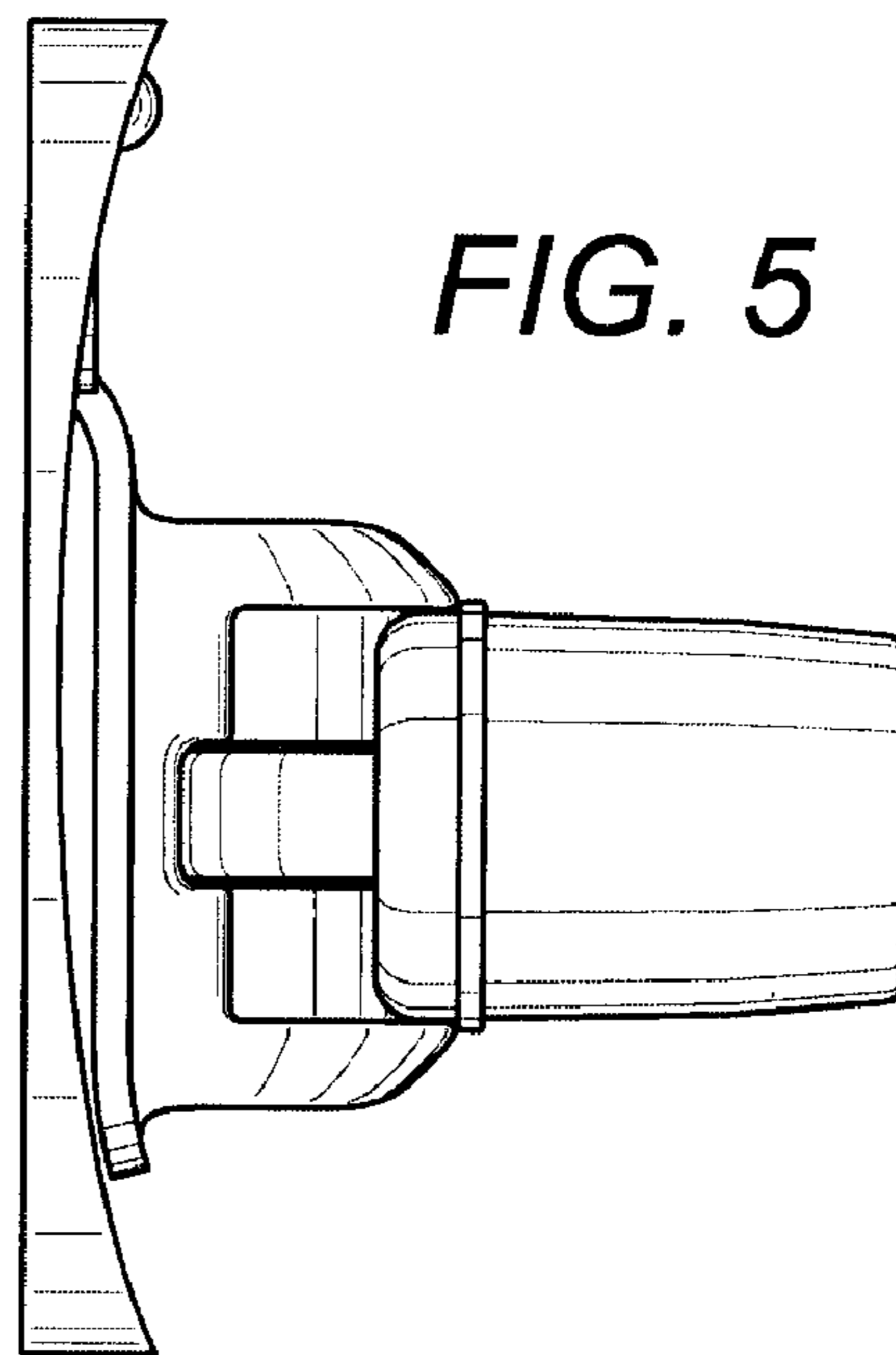
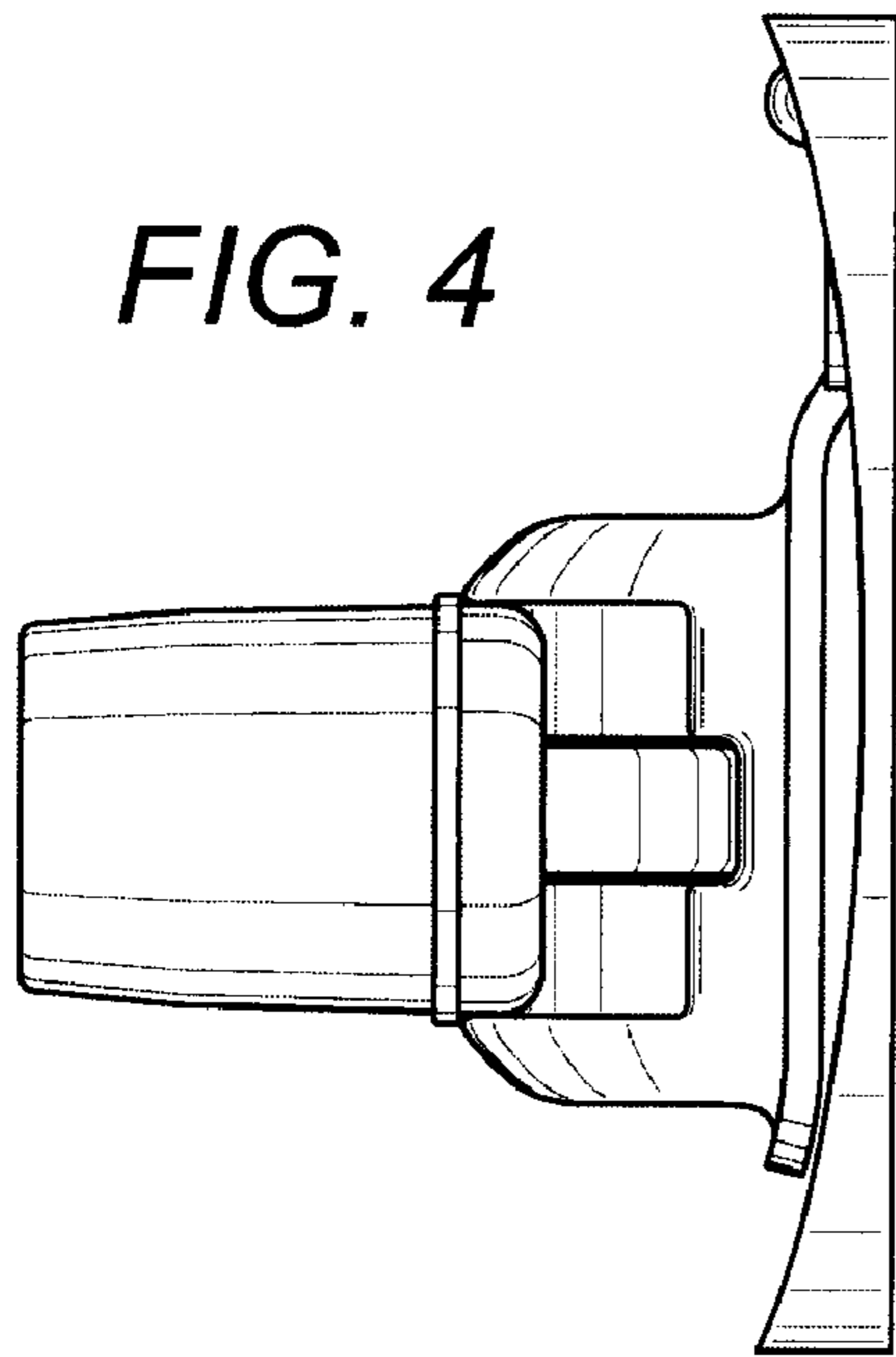


FIG. 6

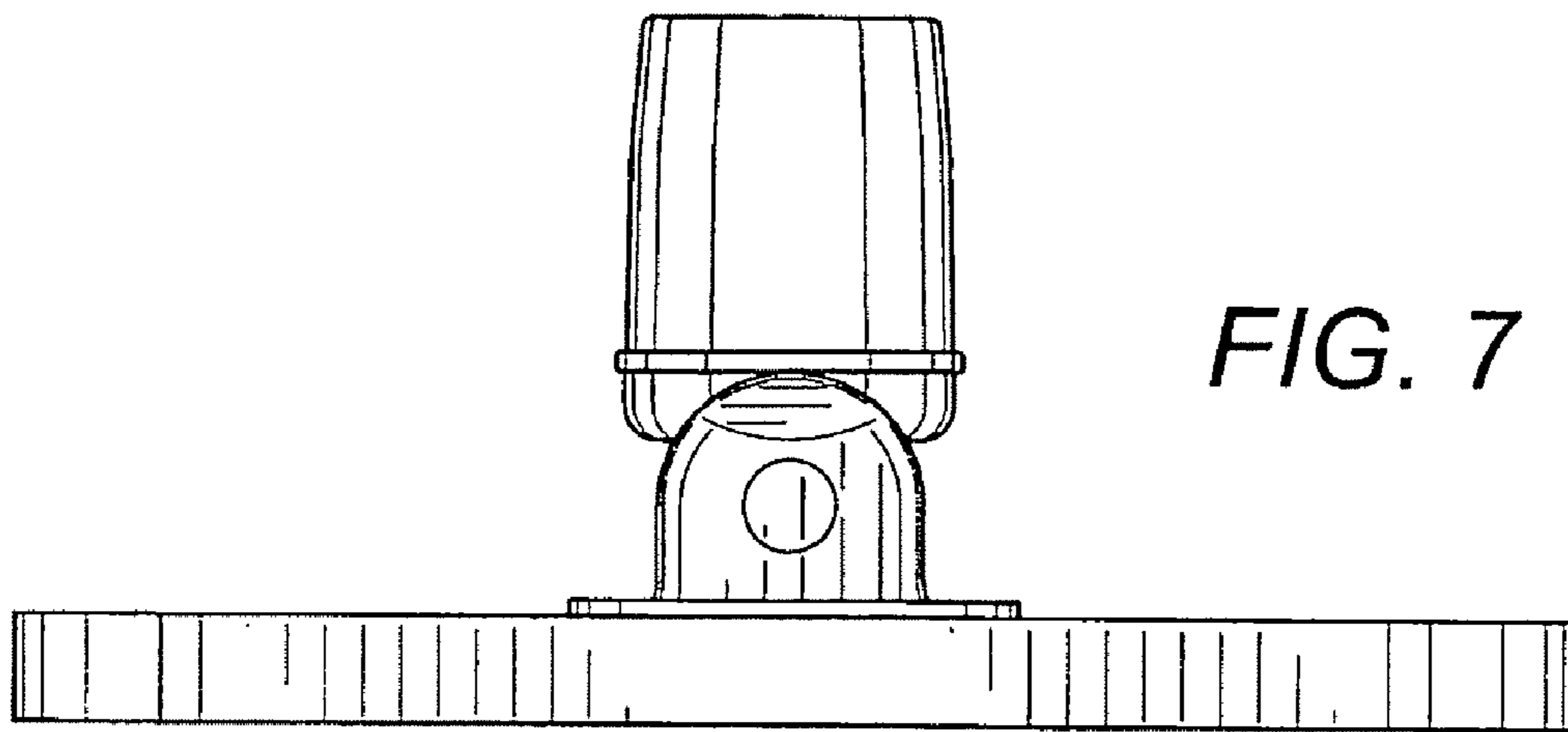


FIG. 7

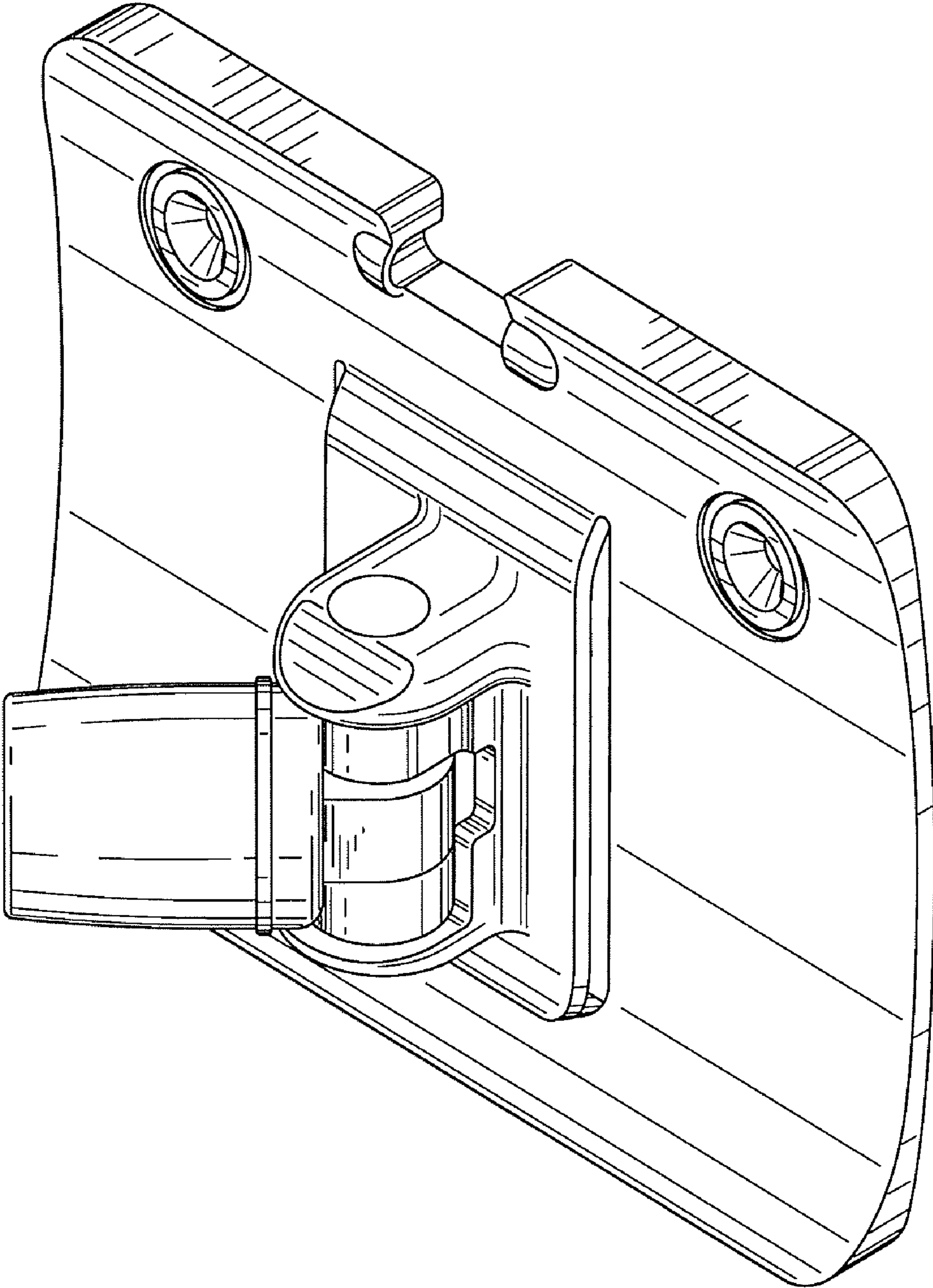


FIG. 8