



US00D552453S

(12) **United States Design Patent**  
**Cronk et al.**

(10) **Patent No.:** **US D552,453 S**

(45) **Date of Patent:** **\*\* Oct. 9, 2007**

(54) **MOUNTING BRACKET**

3,243,151 A \* 3/1966 Varney et al. .... 248/74.1  
D359,292 S \* 6/1995 Lee ..... D15/143

(75) Inventors: **Jeffrey A. Cronk**, White Lake, MI (US); **Anthony Pascariello**, Southington, CT (US); **Allan F. Anthony**, St Clair, MI (US)

\* cited by examiner

*Primary Examiner*—Holly H. Baynham  
(74) *Attorney, Agent, or Firm*—Mark W. Croll; Paul F. Donovan

(73) Assignee: **Illinois Tool Works Inc**, Glenview, IL (US)

(57) **CLAIM**

(\*\*) Term: **14 Years**

The ornamental design for a mounting bracket, as shown and described.

(21) Appl. No.: **29/262,086**

(22) Filed: **Jun. 26, 2006**

**DESCRIPTION**

(51) **LOC (8) Cl.** ..... **08-05**

FIG. 1 is a perspective view of a mounting bracket showing the new design;

(52) **U.S. Cl.** ..... **D8/354**

FIG. 2 is a top plan view thereof;

(58) **Field of Classification Search** ..... D8/354,

FIG. 3 is a bottom plan view thereof;

D8/380; 248/62, 74.1–74.4

FIG. 4 is a front end elevational view thereof;

See application file for complete search history.

FIG. 5 is a back end elevational view thereof;

(56) **References Cited**

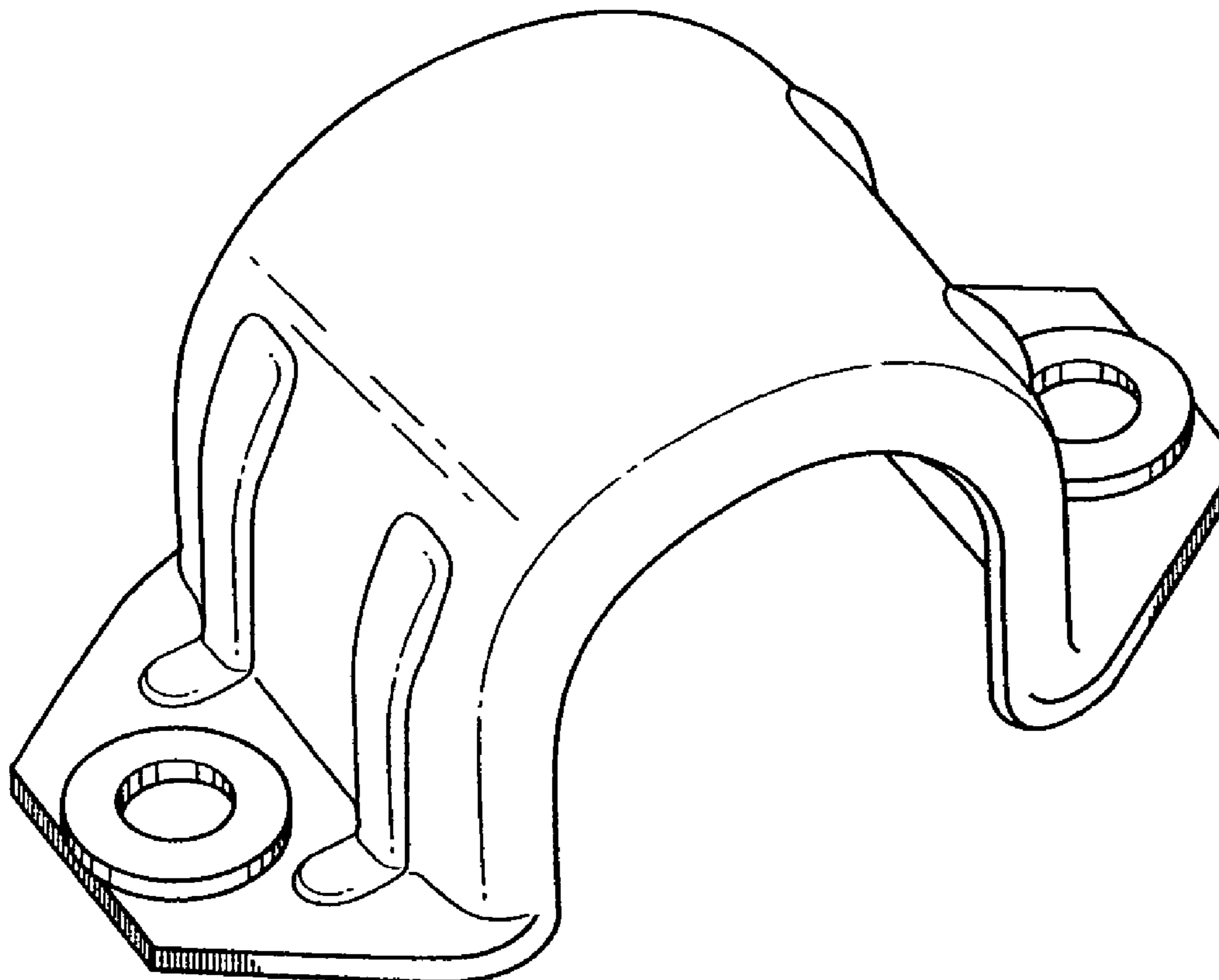
**U.S. PATENT DOCUMENTS**

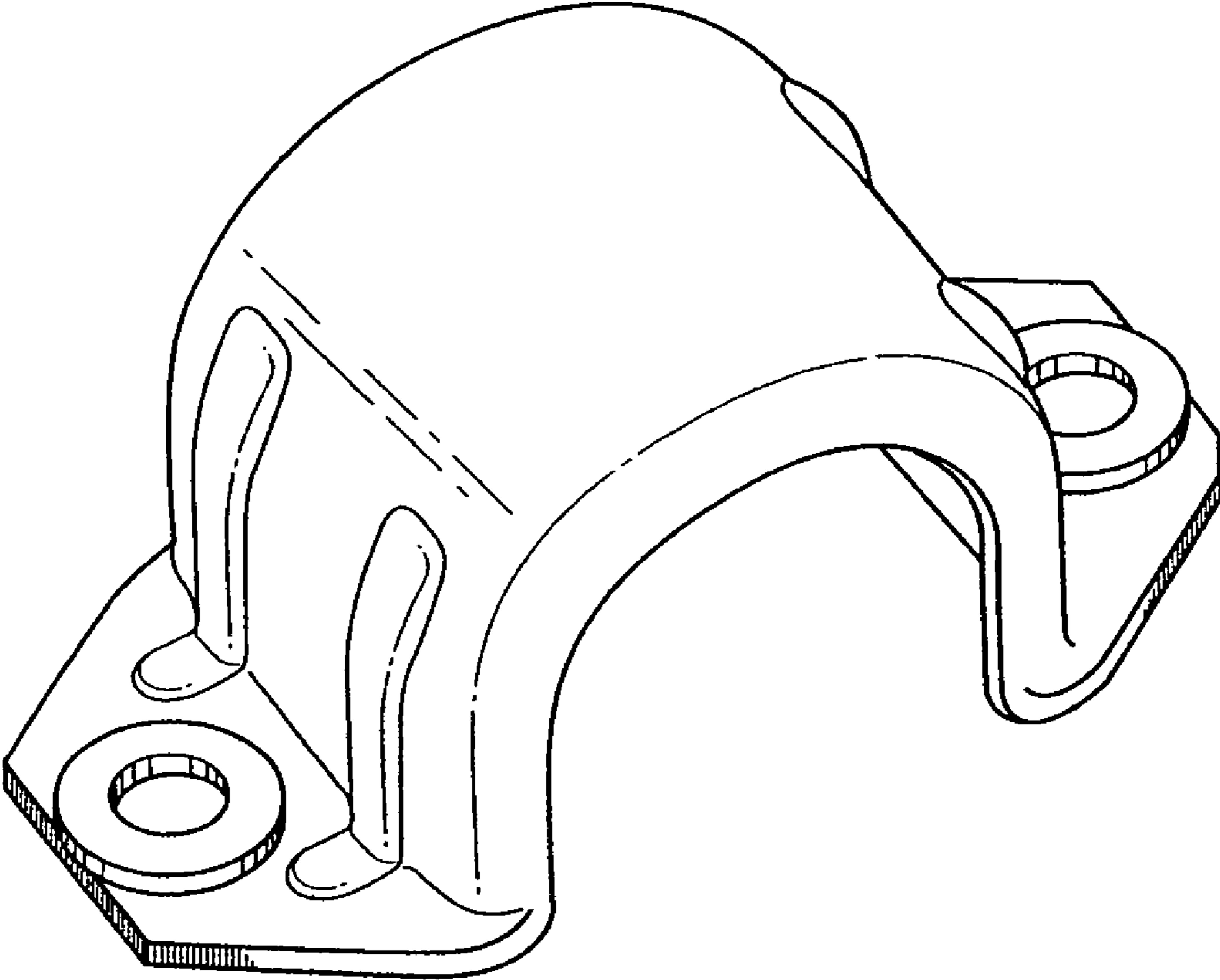
470,698 A \* 3/1892 Murdock ..... 248/74.1  
622,739 A \* 4/1899 Wahlert ..... 248/74.4  
3,232,569 A \* 2/1966 Deardorf ..... 248/74.1

FIG. 6 is a right side elevational view thereof; and,

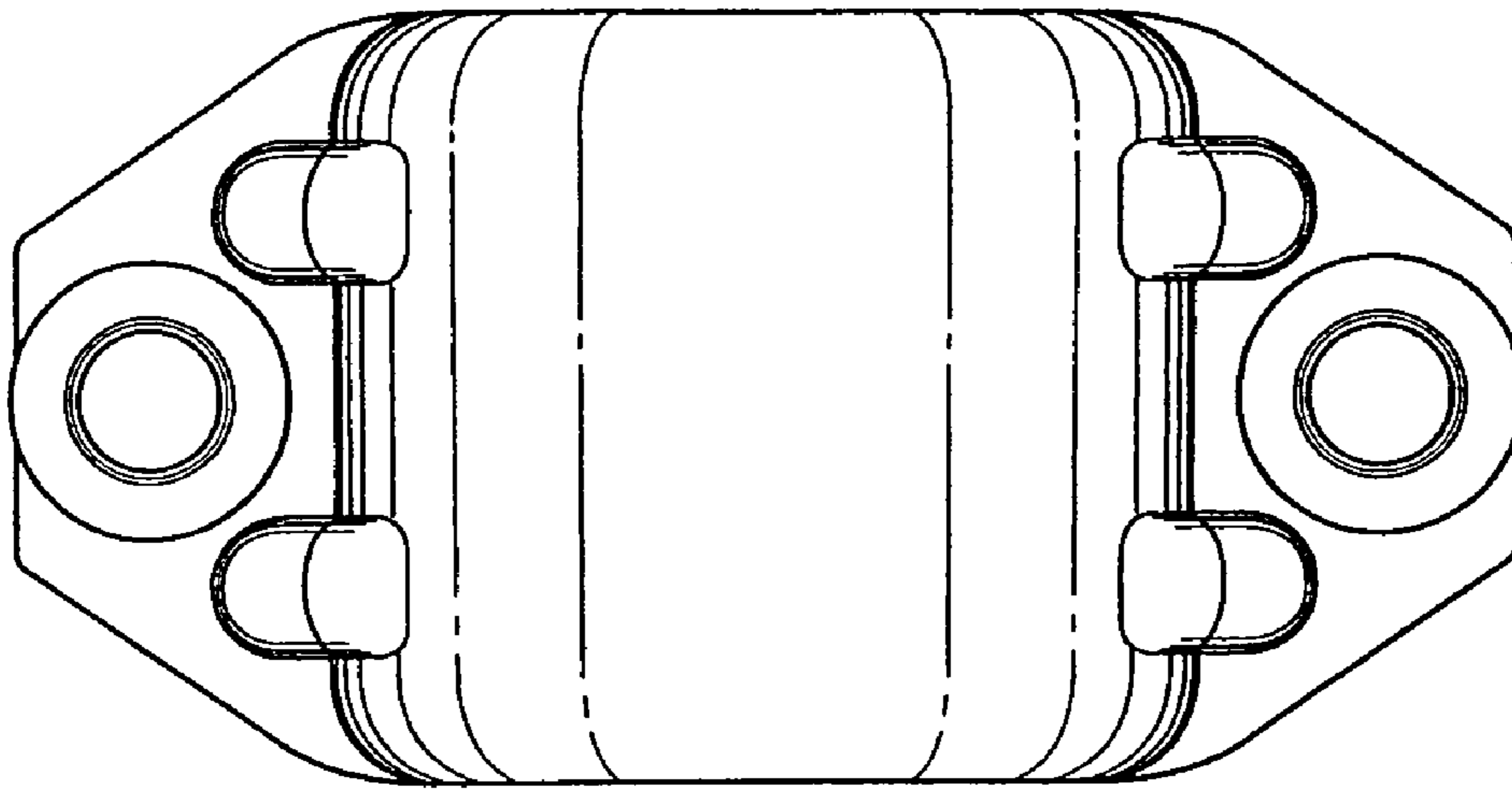
FIG. 7 is a left side elevational view thereof.

**1 Claim, 4 Drawing Sheets**

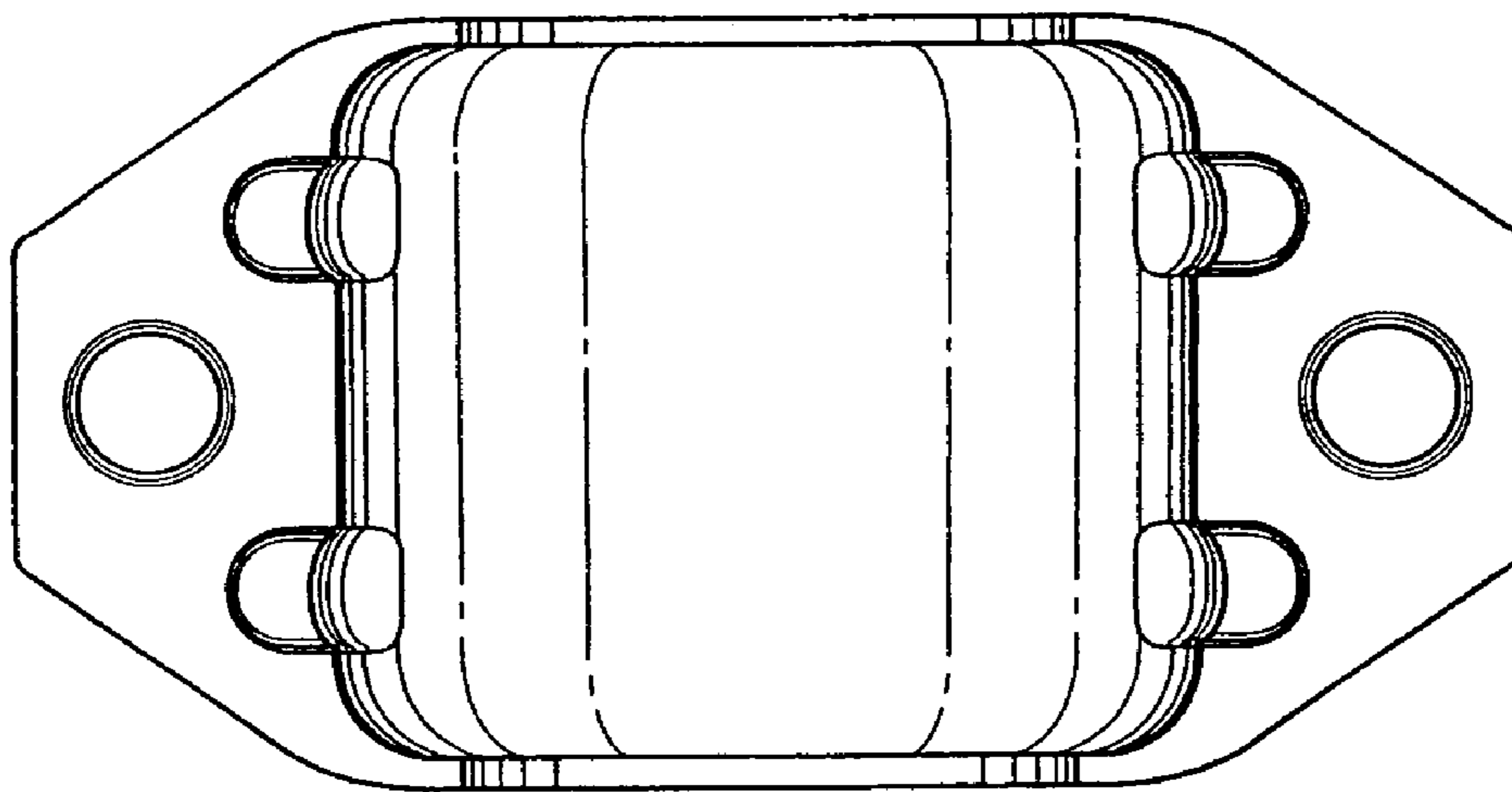




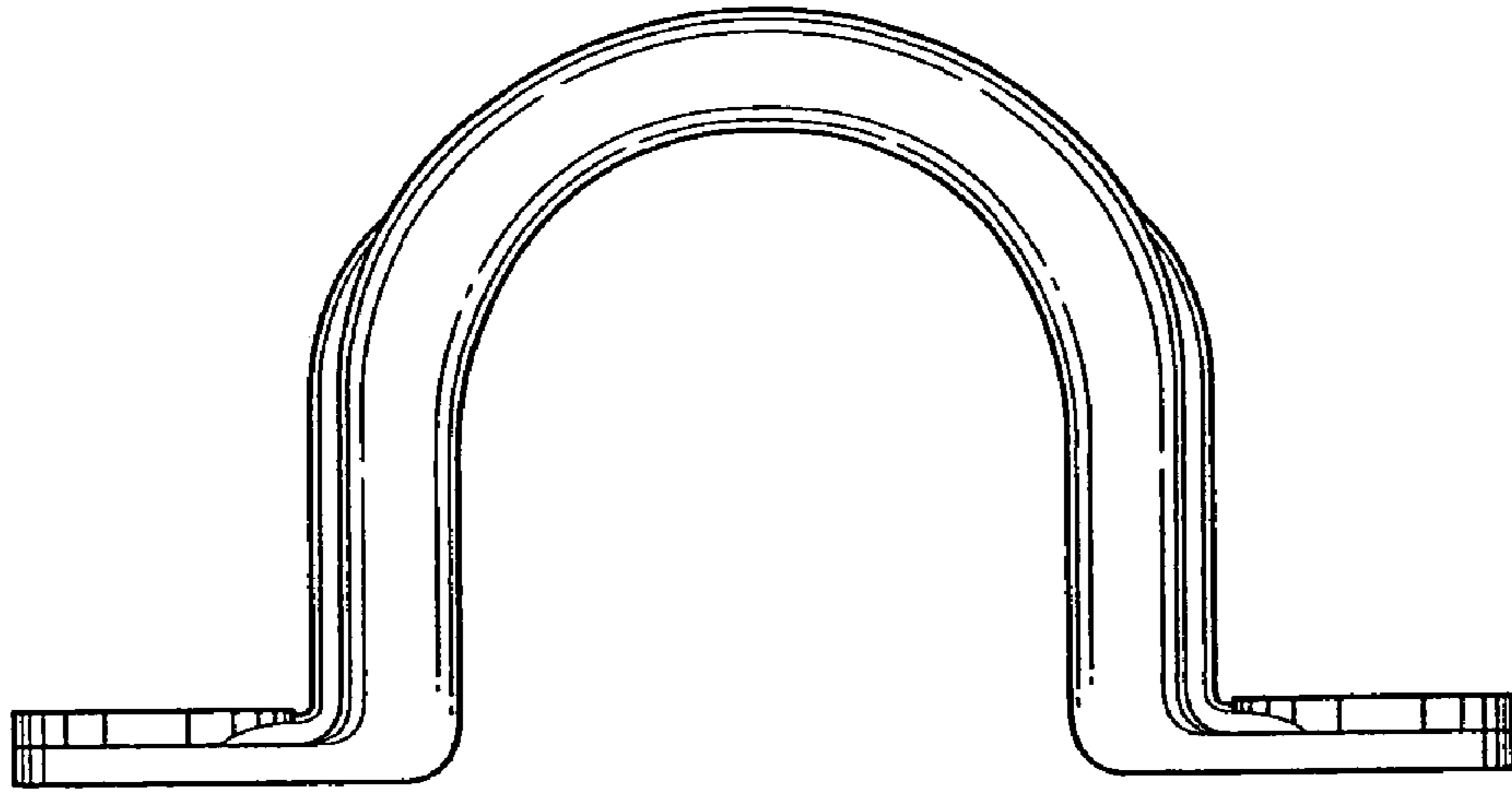
**Fig. 1**



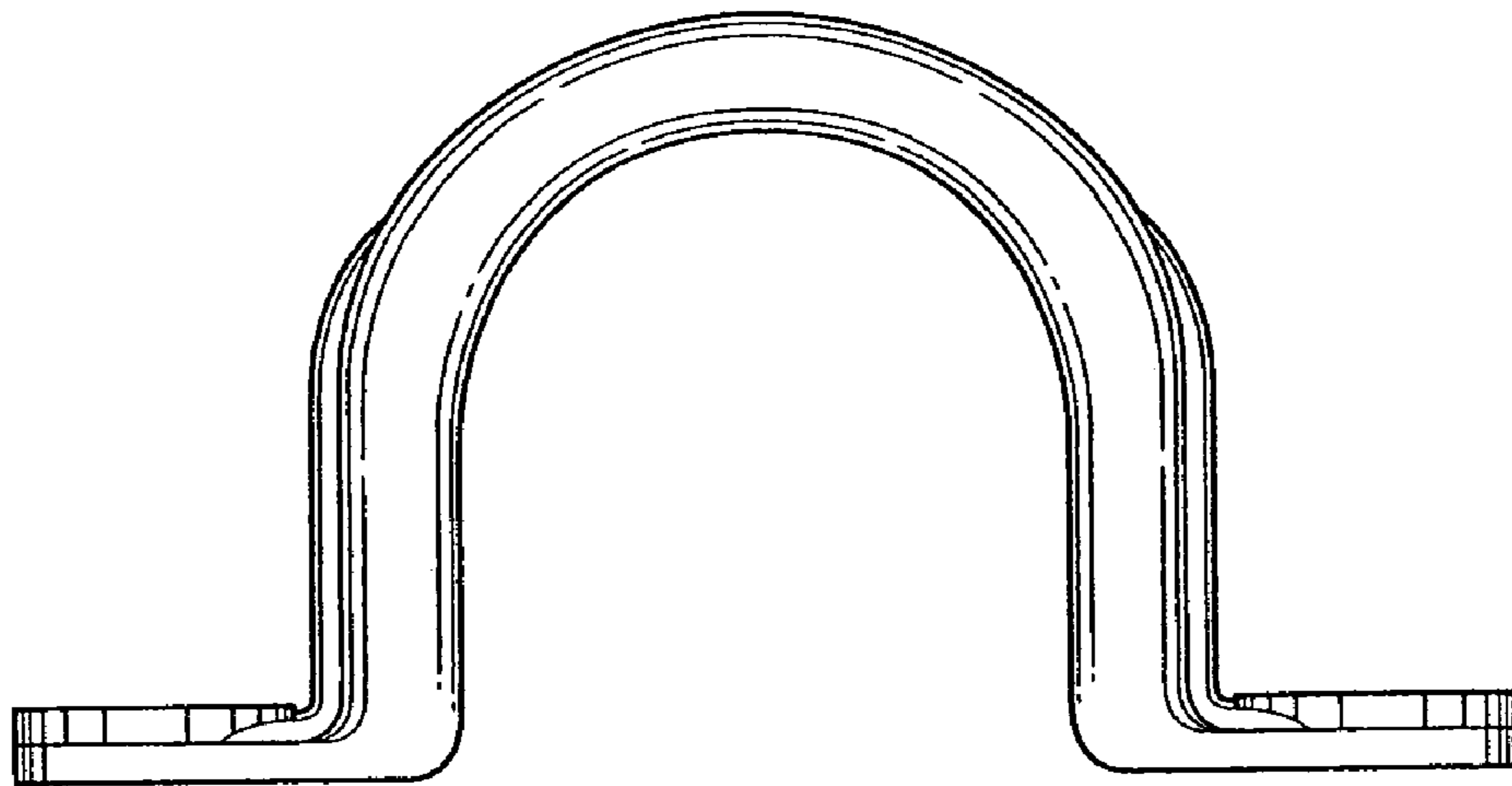
**Fig. 2**



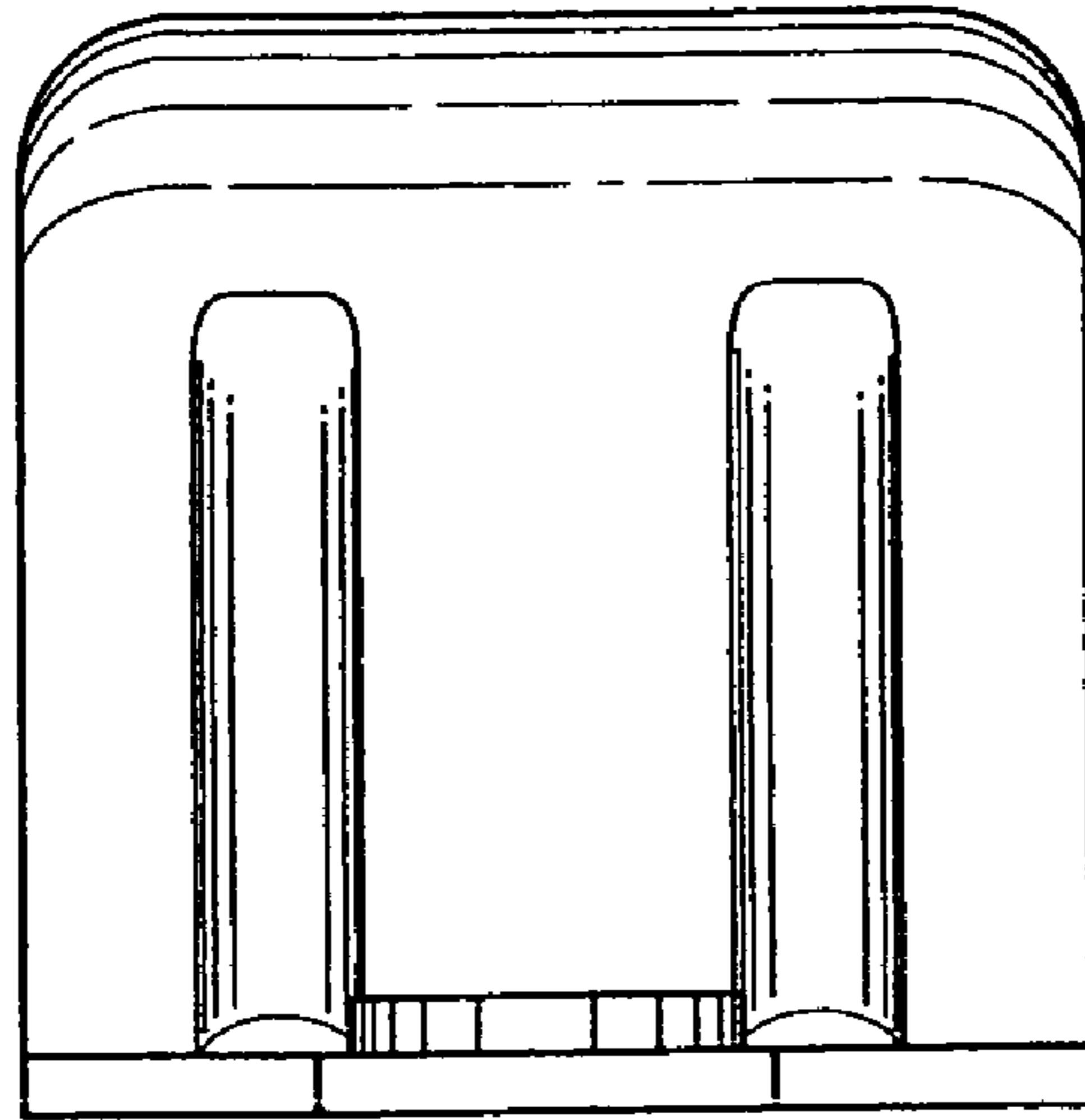
**Fig. 3**



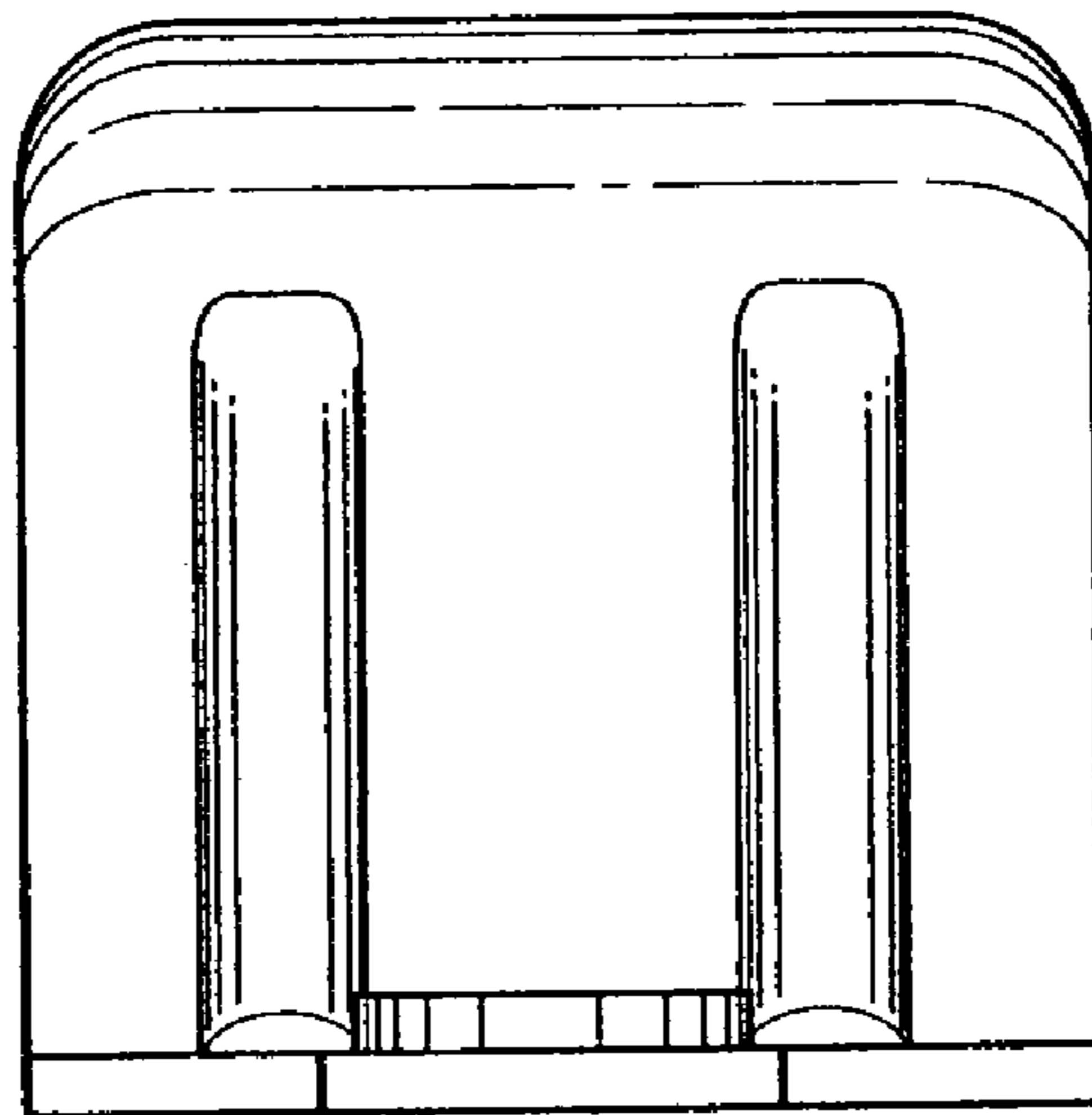
***Fig. 4***



***Fig. 5***



**Fig. 6**



**Fig. 7**