



US00D552450S

(12) **United States Design Patent**
Riccitelli

(10) **Patent No.:** **US D552,450 S**

(45) **Date of Patent:** **** Oct. 9, 2007**

(54) **ANTI-THEFT DEVICE FOR AUTOVEHICLES**

(75) Inventor: **Paul Riccitelli**, Rome (IT)

(73) Assignee: **Itec System, S.r.l.** (IT)

(**) Term: **14 Years**

(21) Appl. No.: **29/257,915**

(22) Filed: **Apr. 12, 2006**

(30) **Foreign Application Priority Data**

Oct. 17, 2005 (EM) 000422761-0002

(51) **LOC (8) Cl.** **08-07**

(52) **U.S. Cl.** **D8/339**

(58) **Field of Classification Search** D8/330-348;
70/14, 214, 233-238, 245, 247, 416-417,
70/225-226

See application file for complete search history.

(56) **References Cited**

U.S. PATENT DOCUMENTS

D316,026	S	*	4/1991	Fuller	D8/331
D348,209	S	*	6/1994	Chen	D8/331
5,440,908	A	*	8/1995	Lin	70/209
D399,409	S	*	10/1998	Chelaru	D8/339
D399,410	S	*	10/1998	Chelaru	D8/339
D399,411	S	*	10/1998	Chelaru	D8/339
D417,832	S	*	12/1999	Kim	D8/331
D427,880	S	*	7/2000	Sombatjirakal	D8/331
D429,456	S	*	8/2000	Chen	D8/331
D430,998	S	*	9/2000	Chelaru	D8/335
D431,446	S	*	10/2000	Chelaru	D8/335
D434,300	S	*	11/2000	Chelaru	D8/335

D486,722	S	*	2/2004	Fonfeder	D8/335
D488,049	S	*	4/2004	Fonfeder	D8/335
D488,050	S	*	4/2004	Fonfeder	D8/335
D488,051	S	*	4/2004	Fonfeder	D8/335
D516,409	S	*	3/2006	Phillips et al.	D8/339

* cited by examiner

Primary Examiner—Mitchell Siegel

(74) *Attorney, Agent, or Firm*—Leffert Jay & Polglaze, P.A.

(57) **CLAIM**

The ornamental design of an antitheft device for autovehicles, as shown and described.

DESCRIPTION

FIG. 1 is a perspective view of the anti-theft device for autovehicles embodying the new design;

FIG. 2 is a front elevational view thereof;

FIG. 3 is a rear elevational view thereof;

FIG. 4 is a right side elevational view thereof;

FIG. 5 is a left side elevational view thereof;

FIG. 6 is a top plan view thereof;

FIG. 7 is a bottom plan view thereof;

FIG. 8 is a perspective view of the anti-theft device for autovehicles with the handling arm completely extended;

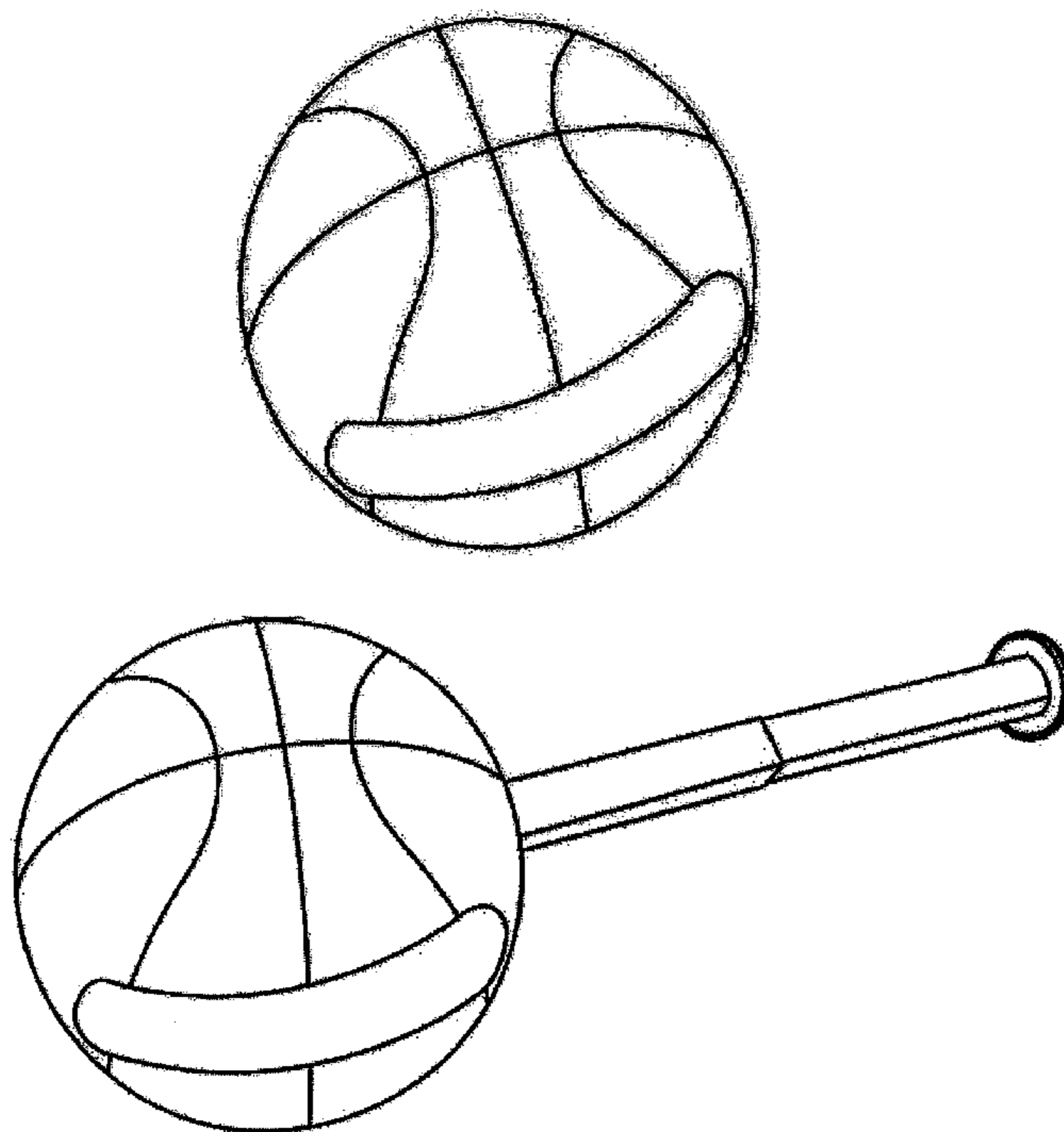
FIG. 9 is a front elevational view of FIG. 8;

FIG. 10 is a rear elevational view of FIG. 8;

FIG. 11 is a top plan view of FIG. 8; and,

FIG. 12 is a bottom plan view of FIG. 8.

1 Claim, 6 Drawing Sheets



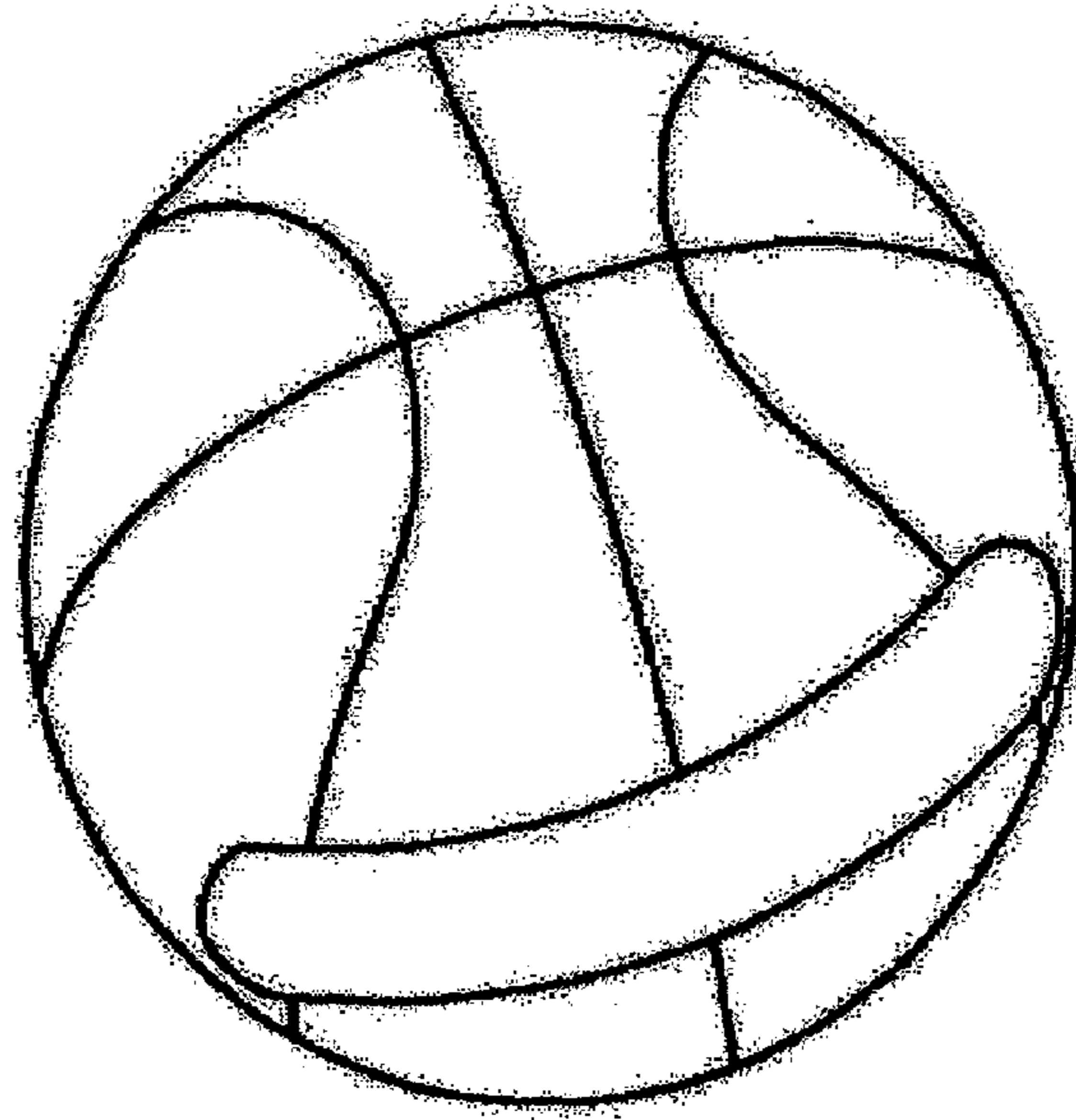


FIG. 1

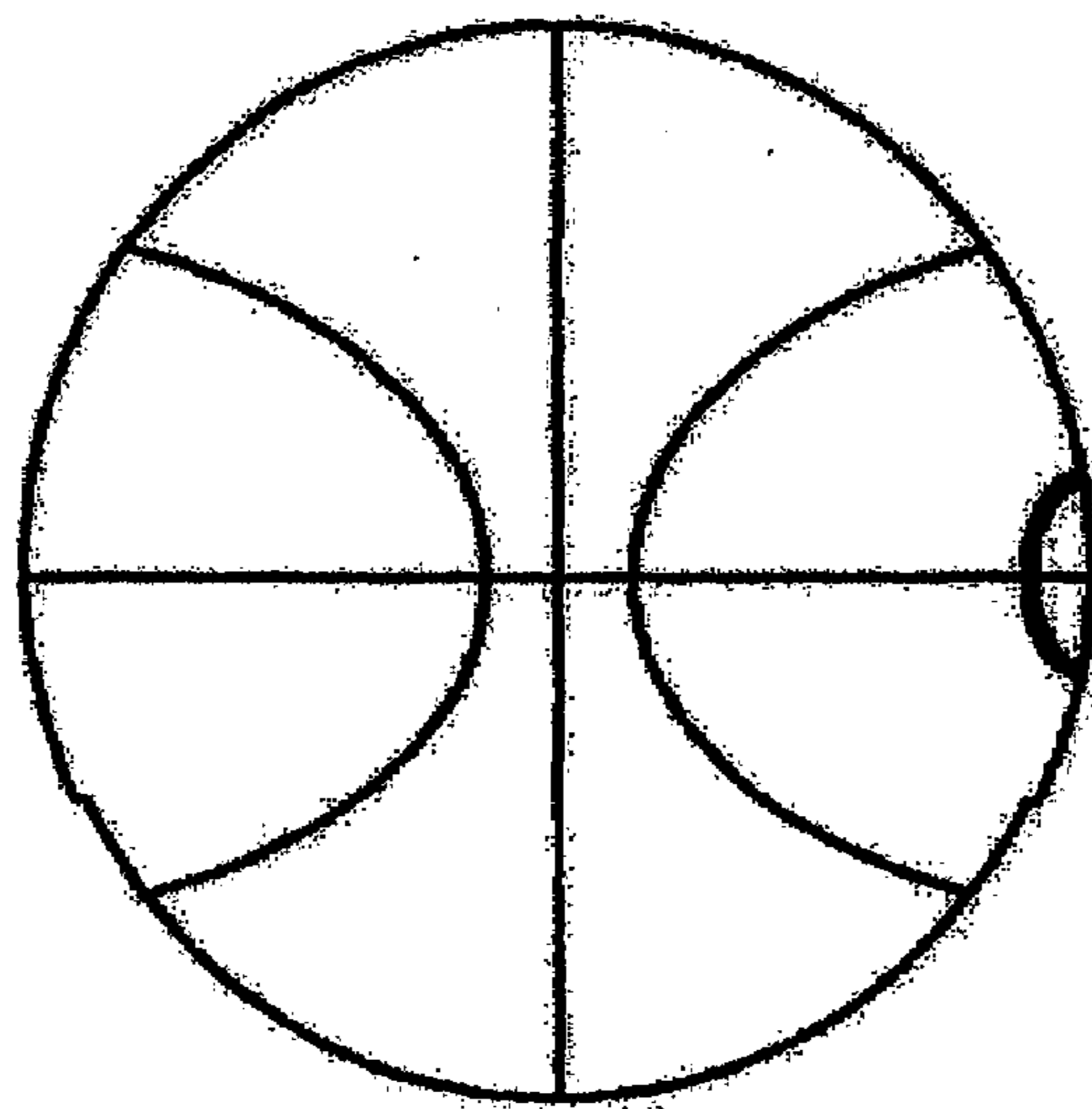


FIG. 2

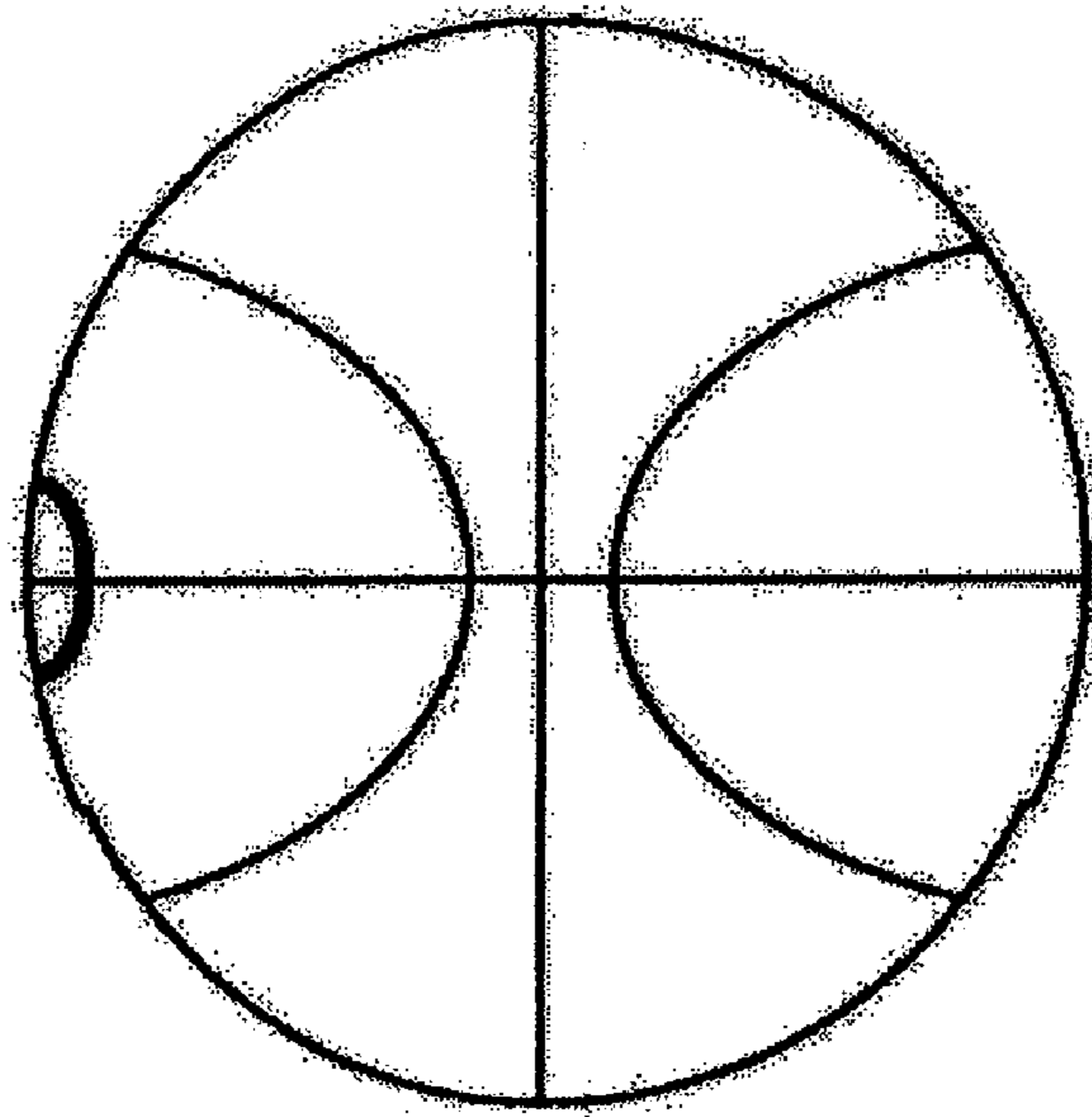


FIG. 3

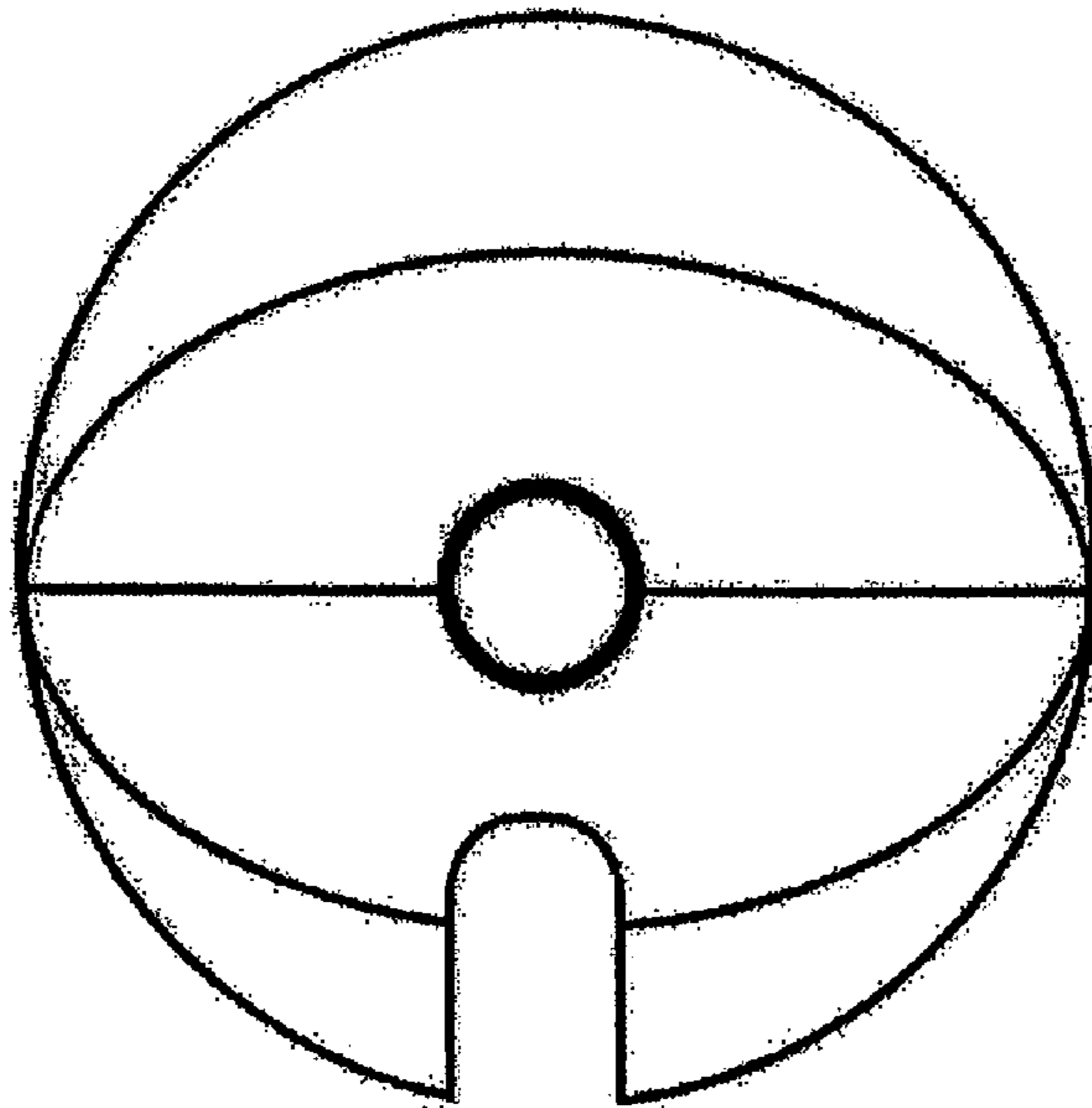


FIG. 4

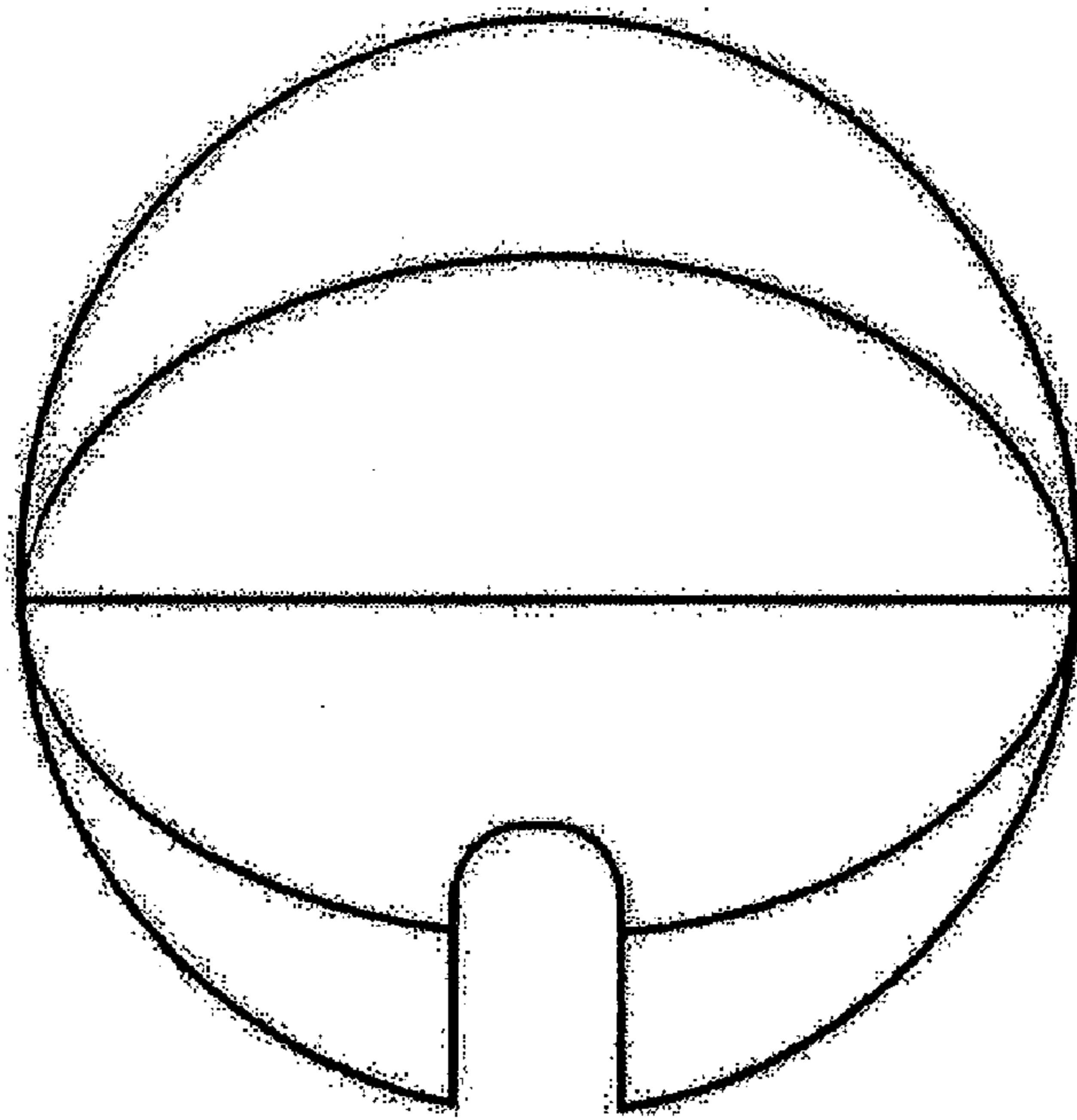


FIG. 5

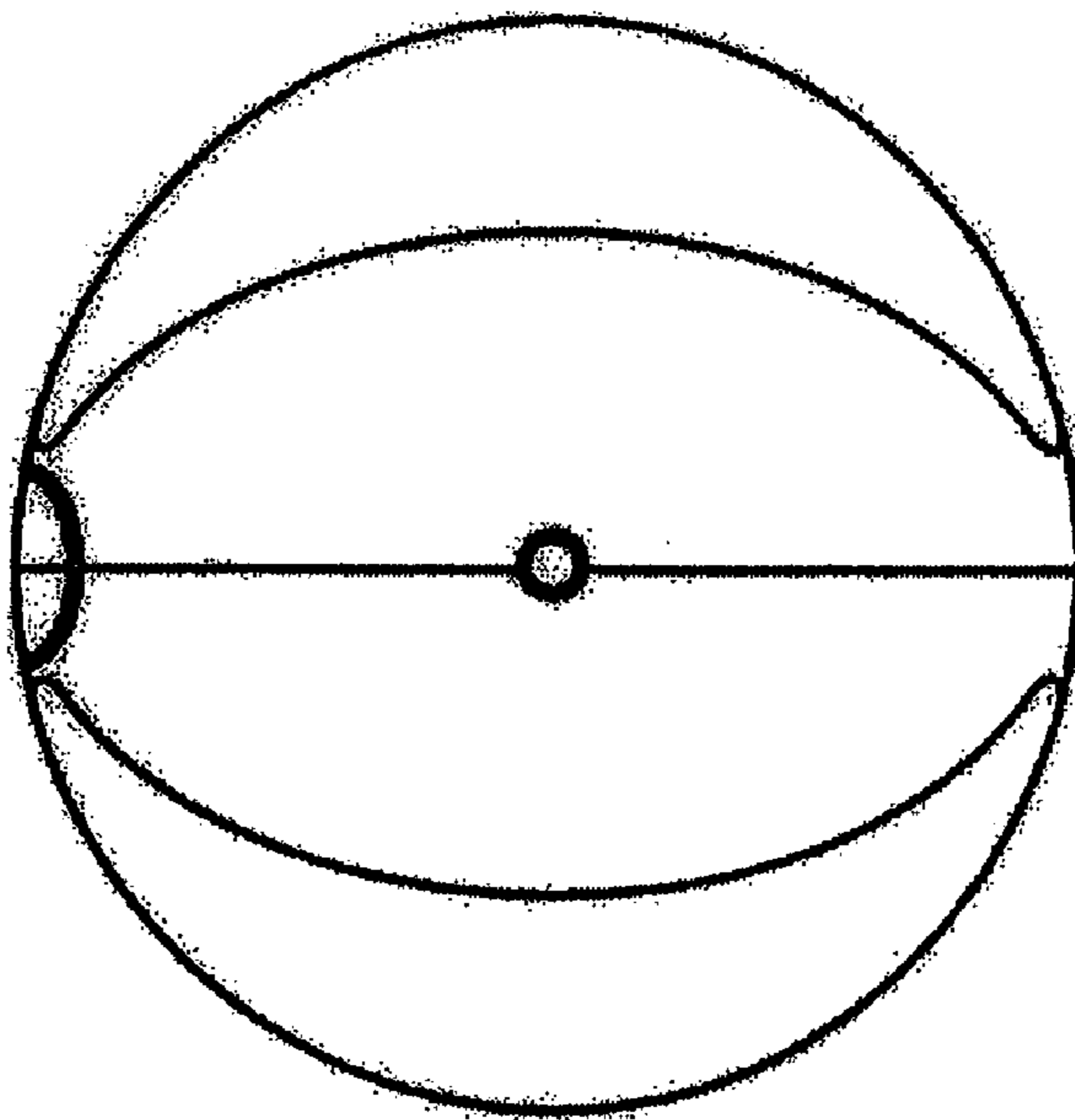


FIG. 6

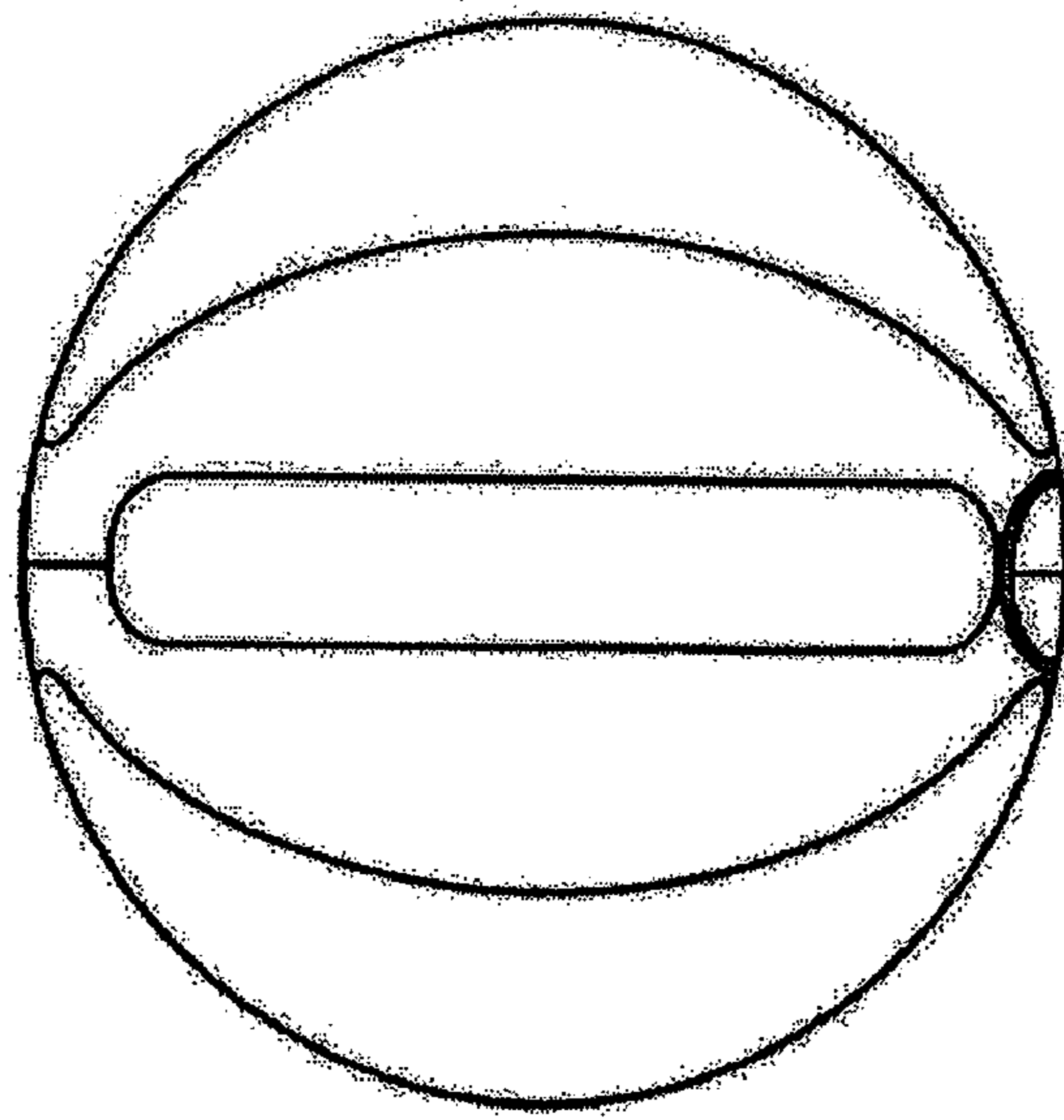


FIG. 7

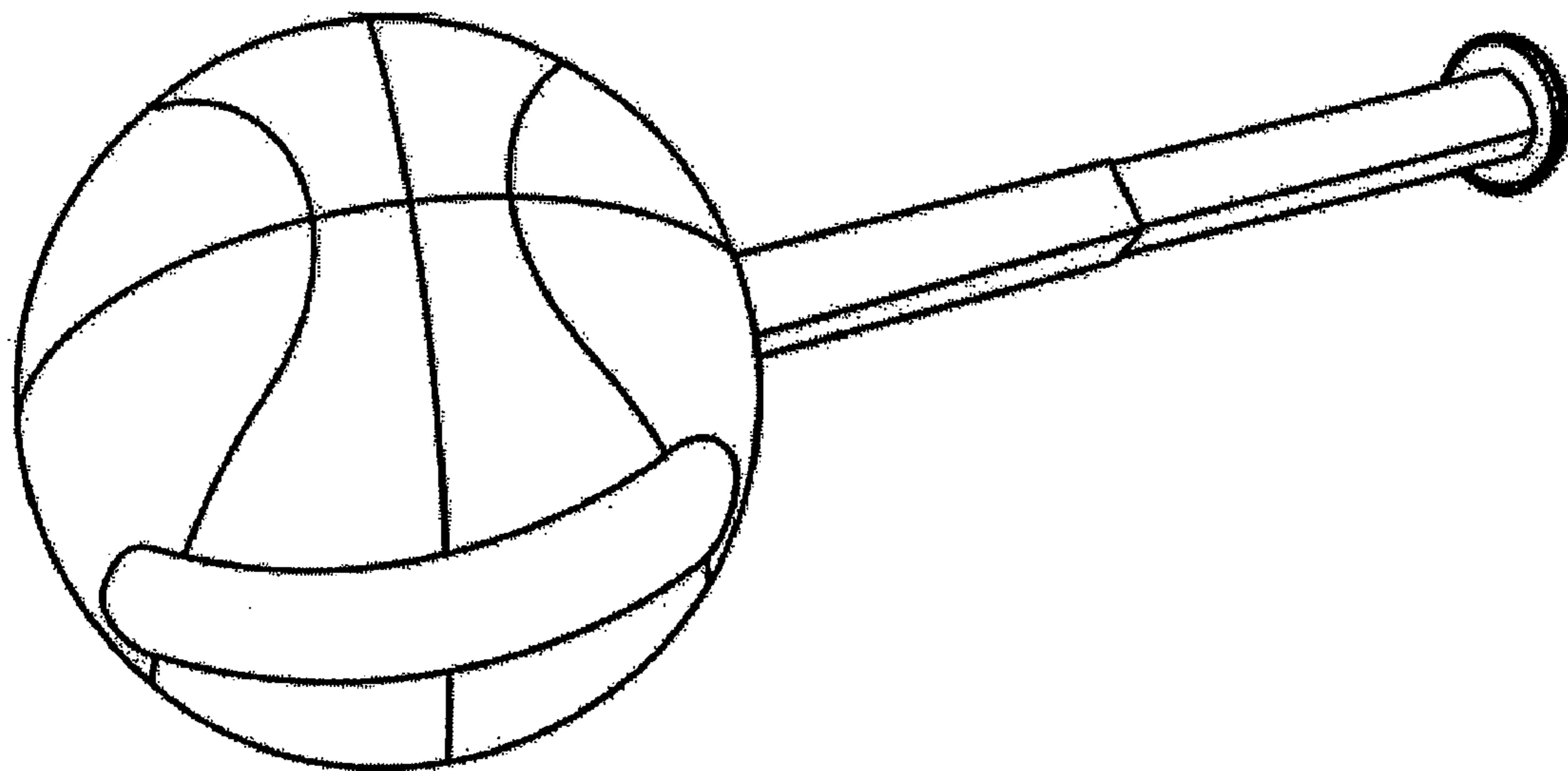


FIG. 8

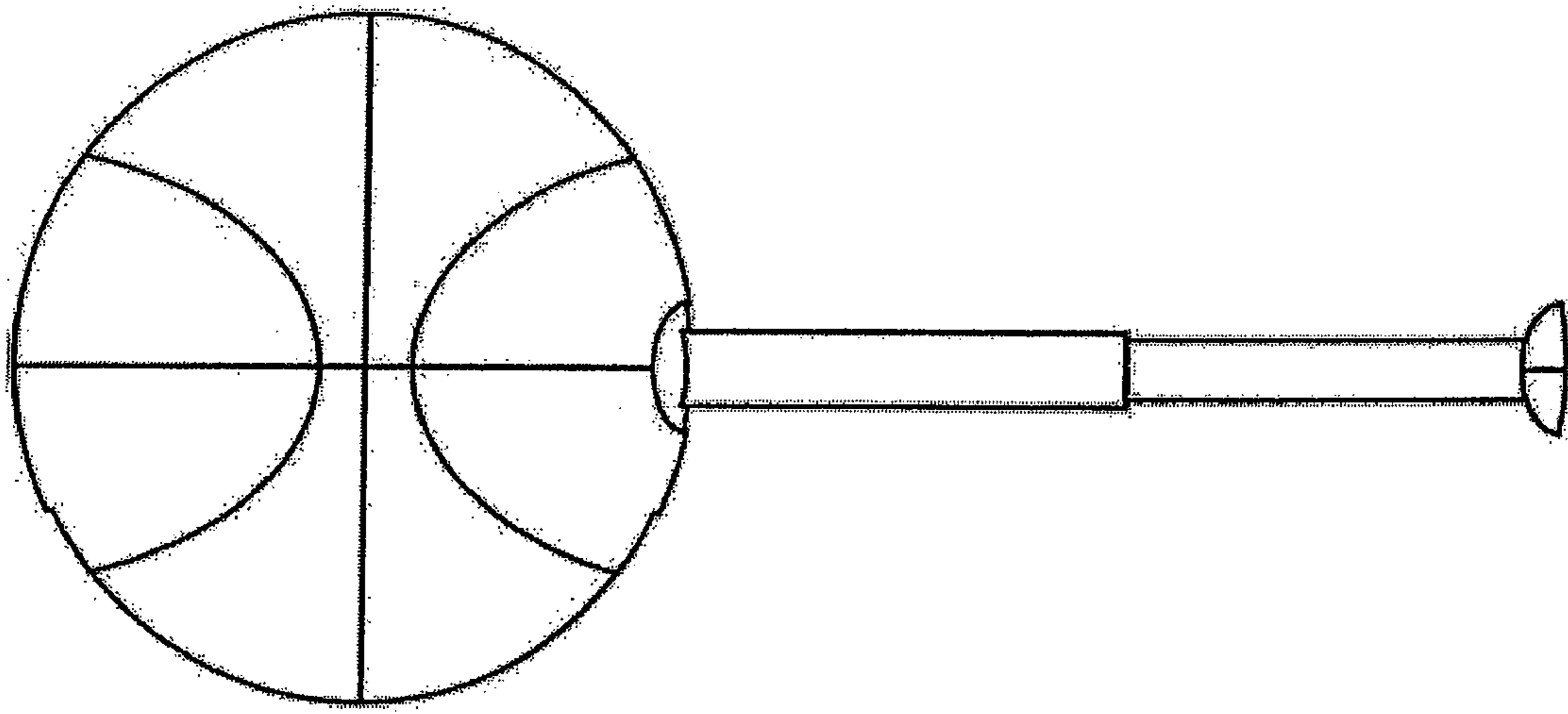


FIG. 9

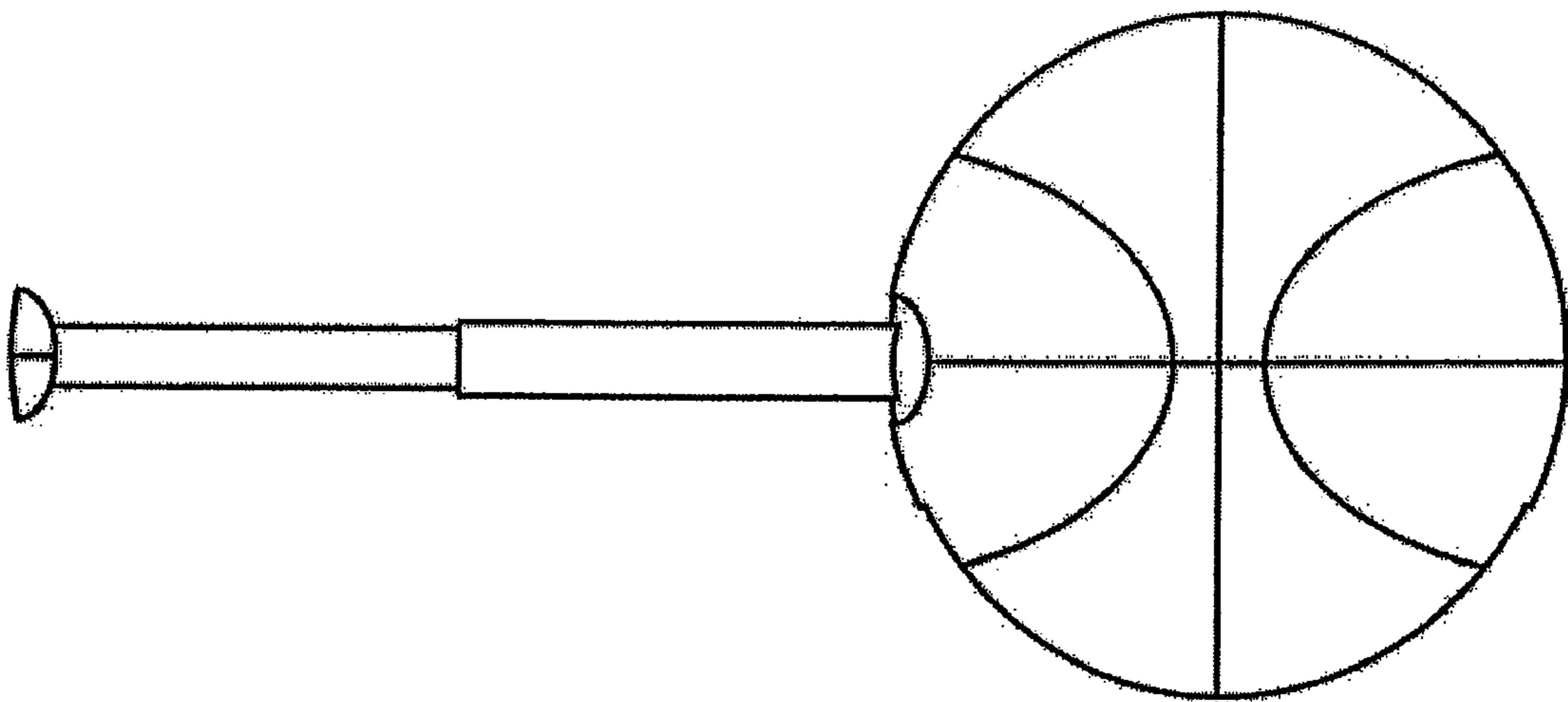


FIG. 10

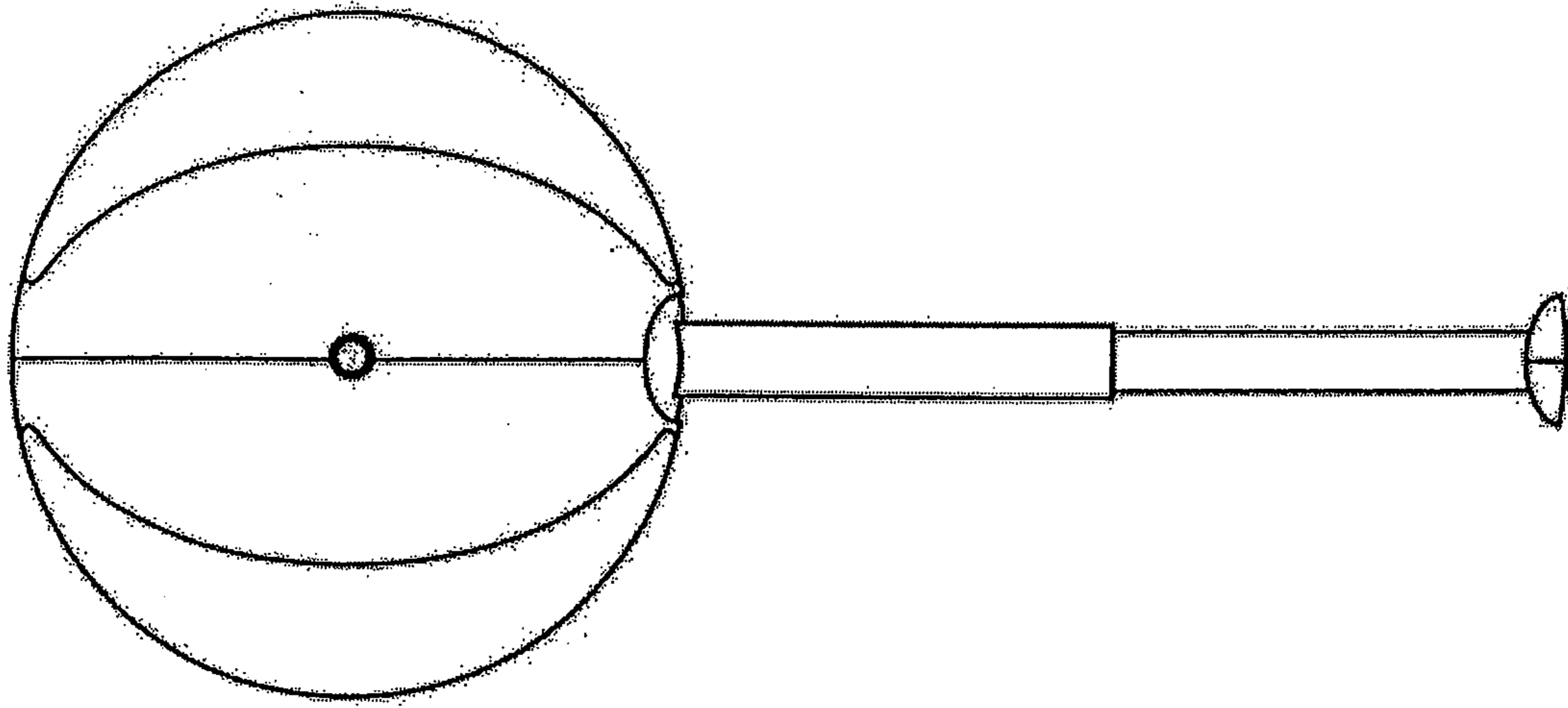


FIG. 11

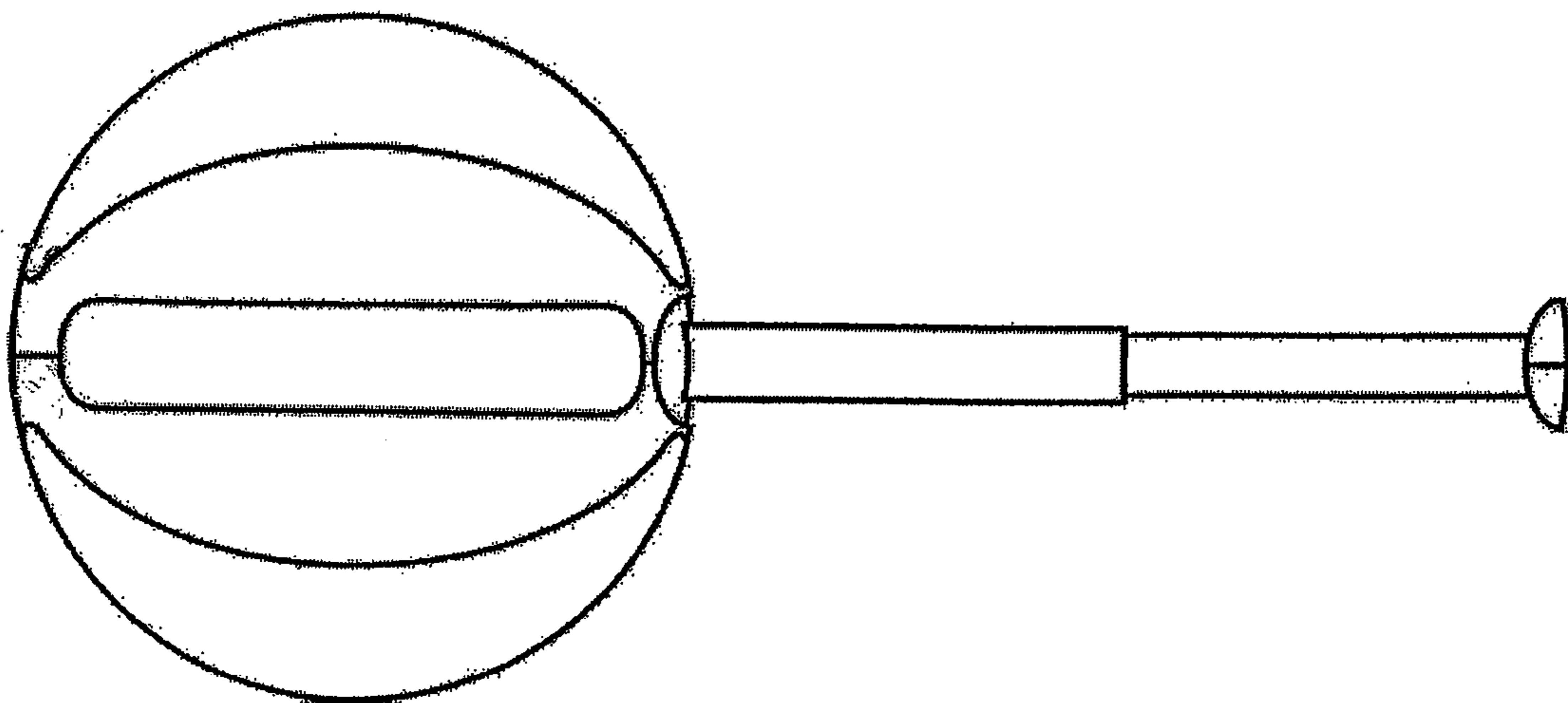


FIG. 12