



US00D552447S

(12) **United States Design Patent**
Krumpe et al.

(10) **Patent No.:** **US D552,447 S**

(45) **Date of Patent:** **** Oct. 9, 2007**

(54) **PULL**

(75) Inventors: **Geraint Krumpe**, Chicago, IL (US);
Victor Hoernig, Lowell, IN (US)

(73) Assignee: **Liberty Hardware Mfg. Corp.**,
Winston-Salem, NC (US)

(**) Term: **14 Years**

(21) Appl. No.: **29/262,929**

(22) Filed: **Jul. 13, 2006**

(51) **LOC (8) Cl.** **08-06**

(52) **U.S. Cl.** **D8/316**

(58) **Field of Classification Search** D8/300,
D8/305, 307-308, 315-320; 16/110.1, 412,
16/415-420, 441, 443-445; D7/393, 395;
D23/250-252

See application file for complete search history.

(56) **References Cited**

U.S. PATENT DOCUMENTS

- D175,473 S * 8/1955 Leichter D8/317
- D194,968 S * 4/1963 Stelma D8/317
- D197,959 S * 4/1964 Heyer D8/318
- D200,953 S * 4/1965 Menezes et al. D8/317
- D224,225 S * 7/1972 Doman D23/250

- D290,336 S * 6/1987 Paul D8/308
- D327,530 S * 6/1992 Rawald D23/250
- D329,188 S * 9/1992 Paul D8/308
- D403,230 S * 12/1998 Ziemer et al. D8/317
- D431,444 S * 10/2000 Short D8/316

* cited by examiner

Primary Examiner—Paula A. Greene

(74) *Attorney, Agent, or Firm*—Edgar A. Zarins; Lloyd D. Doigan

(57) **CLAIM**

The ornamental design for a pull, as shown and described.

DESCRIPTION

FIG. 1 is a perspective view of a pull showing our new design;

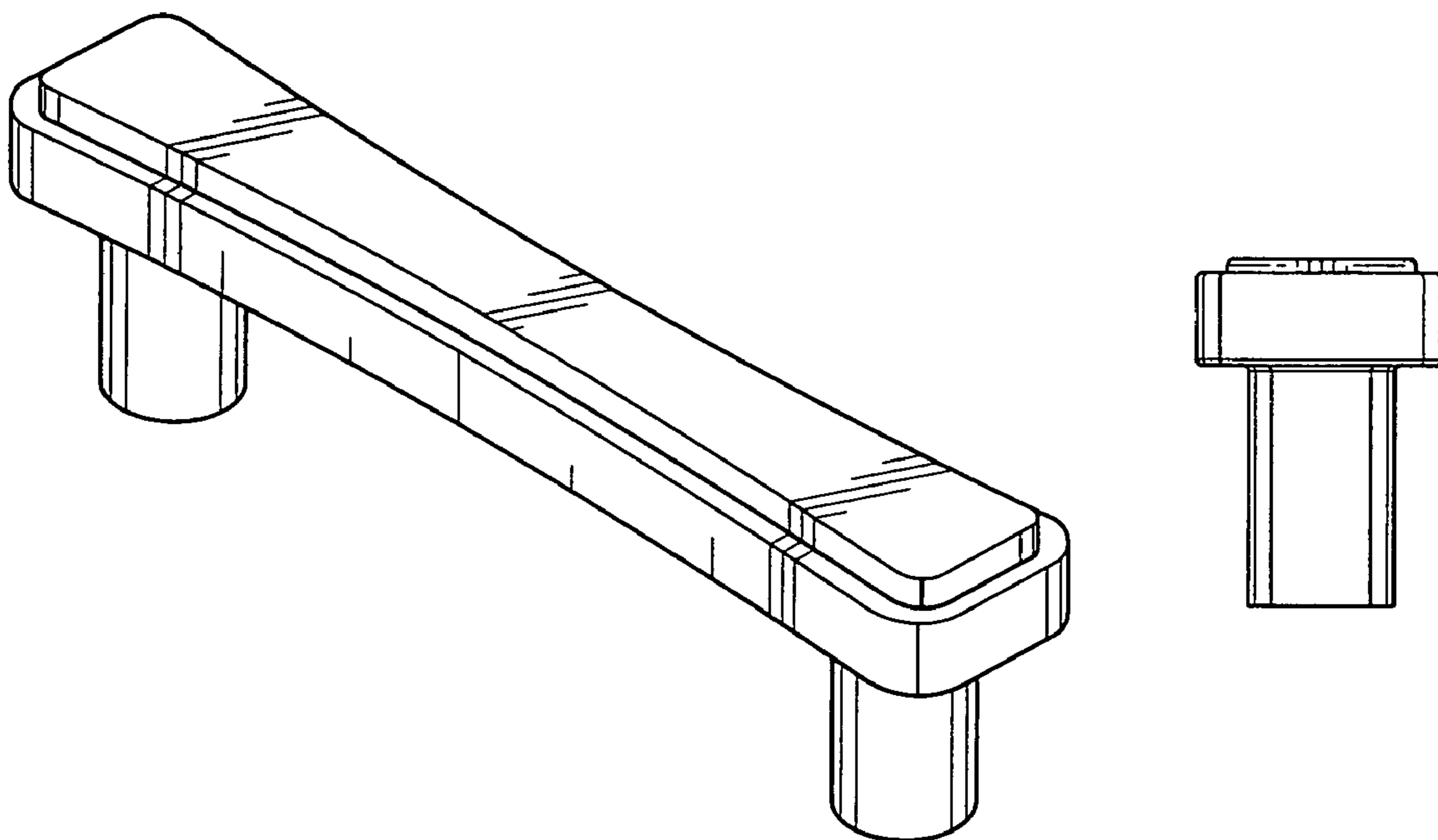
FIG. 2 is a front elevational view thereof, the undisclosed bottom is not part of the claimed design;

FIG. 3 is a side view thereof, the opposite side being a mirror image of the side shown;

FIG. 4 is a longitudinal cross-sectional view thereof; and,

FIG. 5 is an end view thereof, the opposite end being a mirror image of the end shown.

1 Claim, 1 Drawing Sheet



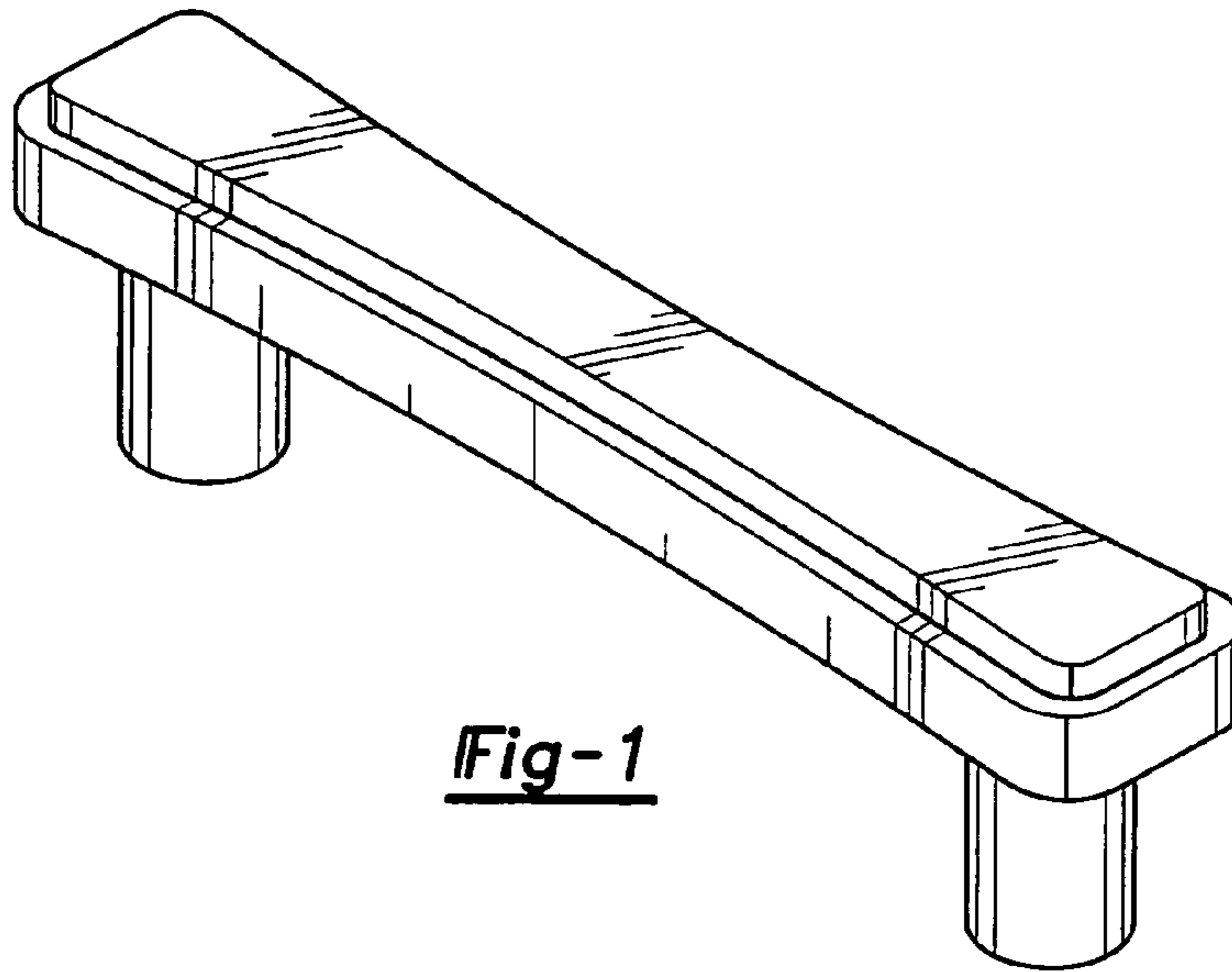


Fig-1

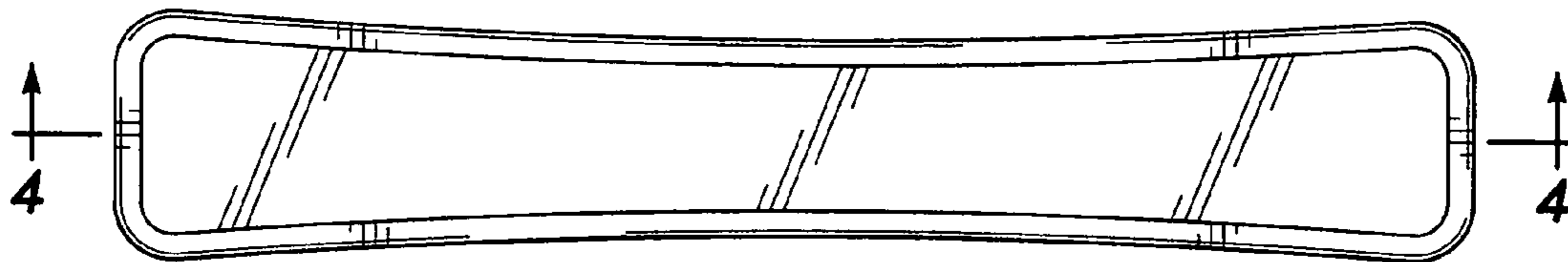


Fig-2

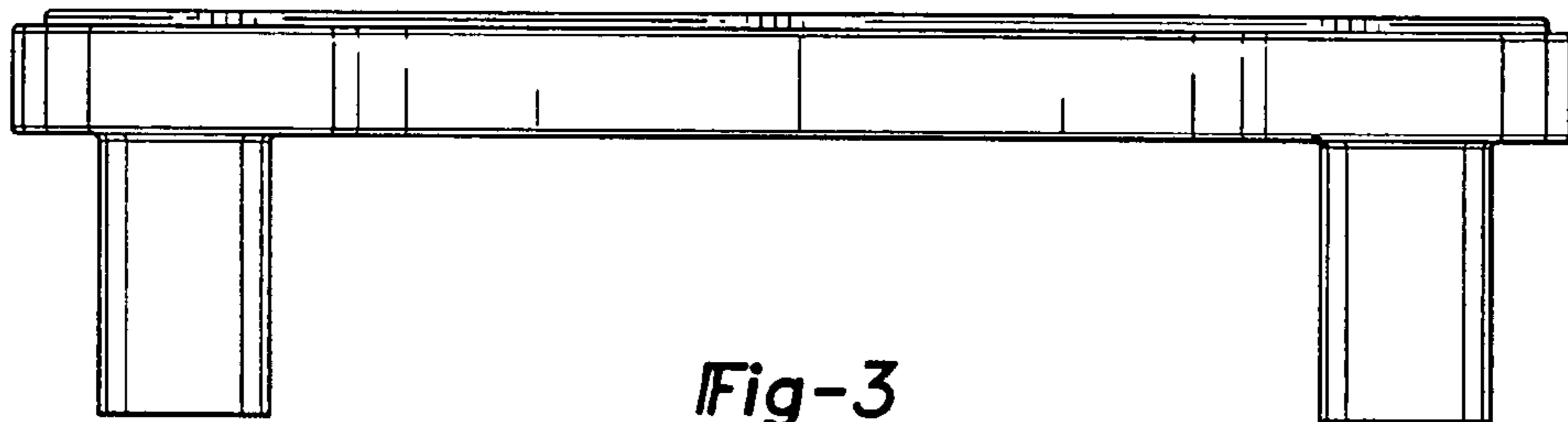


Fig-3

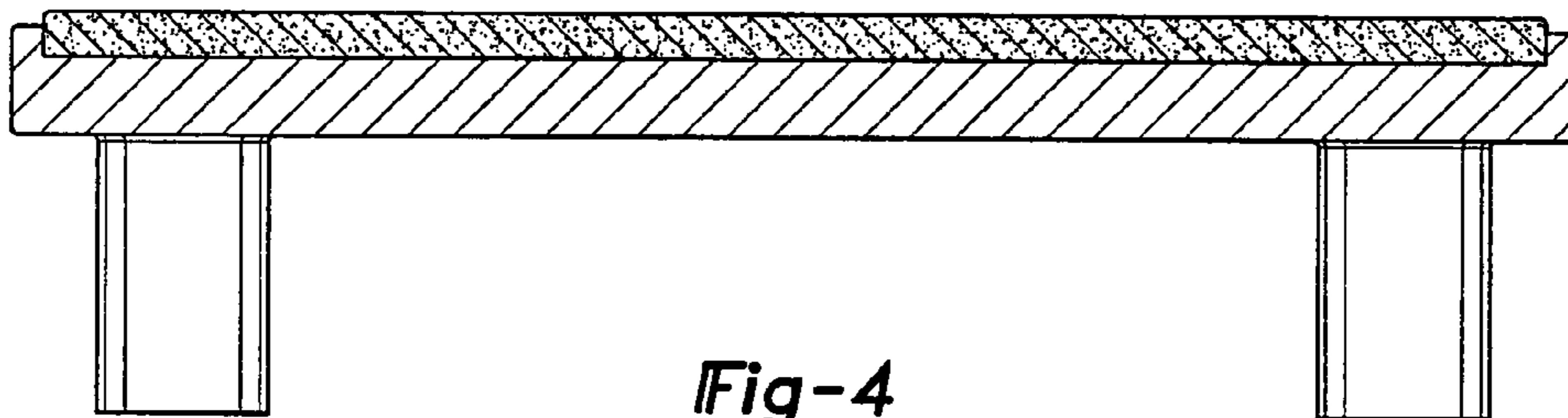


Fig-4

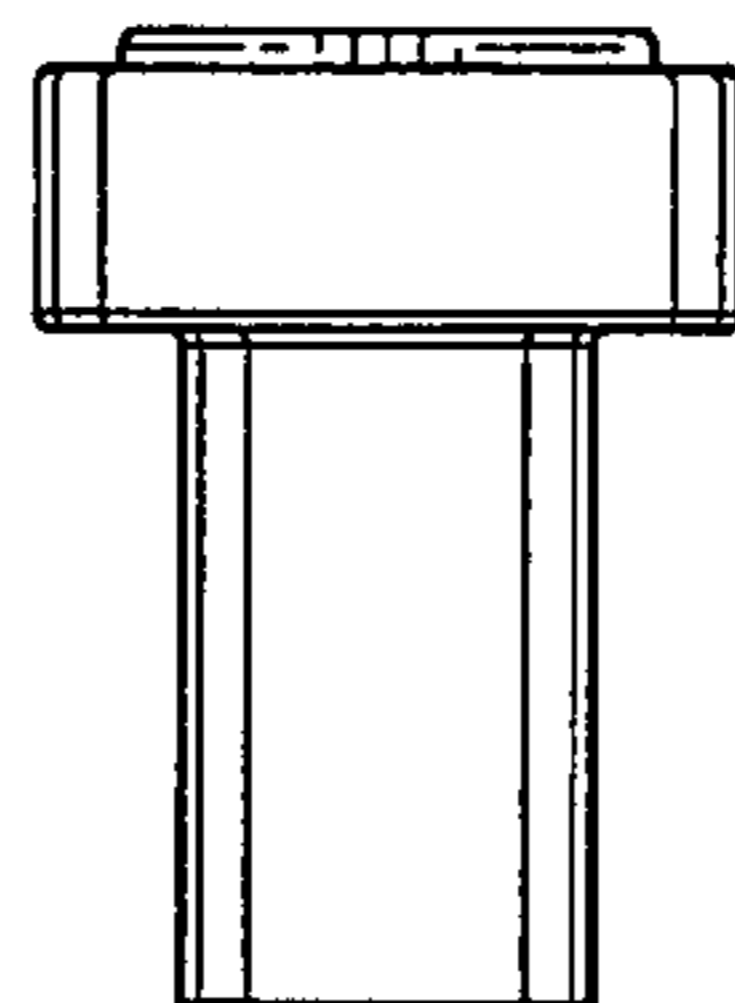


Fig-5