



US00D552441S

(12) **United States Design Patent**  
**Azazian**

(10) **Patent No.:** **US D552,441 S**

(45) **Date of Patent:** **\*\* Oct. 9, 2007**

(54) **TOOL**

(76) Inventor: **Ardem S. Azazian**, 1626 Wagner St.,  
Pasadena, CA (US) 91106

(\*\*) Term: **14 Years**

(21) Appl. No.: **29/272,908**

(22) Filed: **Feb. 21, 2007**

(51) **LOC (8) Cl.** ..... **08-05**

(52) **U.S. Cl.** ..... **D8/28**

(58) **Field of Classification Search** ..... D8/21-29,  
D8/81-87, 102-107, 98, 99, 55, 93, 94; 81/60-63.2,  
81/177.1, 177.85, 177.8, 489, 125.1, 121.1,  
81/119, 120, 176.1, 186, 177.9, 185.1, 176.2,  
81/165, 170, 3.35, 58, 3.45, 155; 206/378;  
16/429, 441, 124.6; 7/100, 138, 168, 157  
See application file for complete search history.

(56) **References Cited**

**U.S. PATENT DOCUMENTS**

2,769,360	A *	11/1956	Cottrell et al.	.....	81/124.3
3,635,654	A	1/1972	McFarland		
3,754,486	A	8/1973	Mariner		
D265,325	S *	7/1982	Rich	.....	D19/92
4,960,016	A	10/1990	Seals		
5,199,332	A *	4/1993	Batten	.....	81/124.1

5,595,097	A *	1/1997	Anderson	.....	81/125.1
D397,597	S	9/1998	Davidson et al.		
D406,993	S *	3/1999	Jones	.....	D8/28
6,272,952	B1	8/2001	Hsu et al.		
D465,707	S *	11/2002	Chen	.....	D8/28
6,604,441	B2	8/2003	Lin		
D486,366	S *	2/2004	Tuanmu	.....	D8/25
D486,708	S *	2/2004	Tuanmu	.....	D8/25
D526,545	S *	8/2006	Sanderson	.....	D8/28

\* cited by examiner

*Primary Examiner*—Raphael Barkai

*Assistant Examiner*—Randall H Gholson

(74) *Attorney, Agent, or Firm*—Kyle Fletcher

(57) **CLAIM**

The ornamental design for a tool, as shown and described.

**DESCRIPTION**

FIG. 1 is a front side view of the tool.

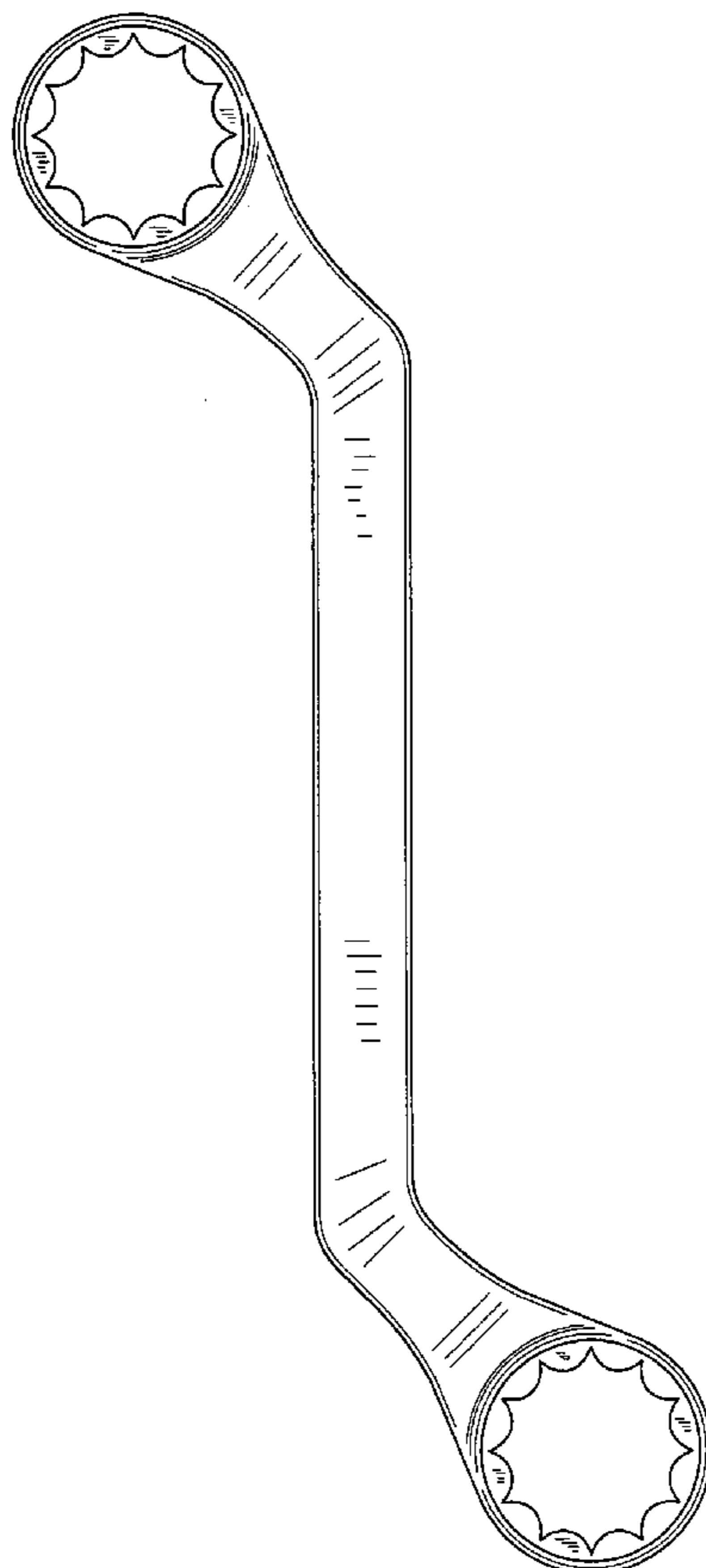
FIG. 2 is a left side view of the tool.

FIG. 3 is a right side view of the tool.

FIG. 4 is a top view of the tool; and,

FIG. 5 is an isometric view of the tool.

**1 Claim, 3 Drawing Sheets**



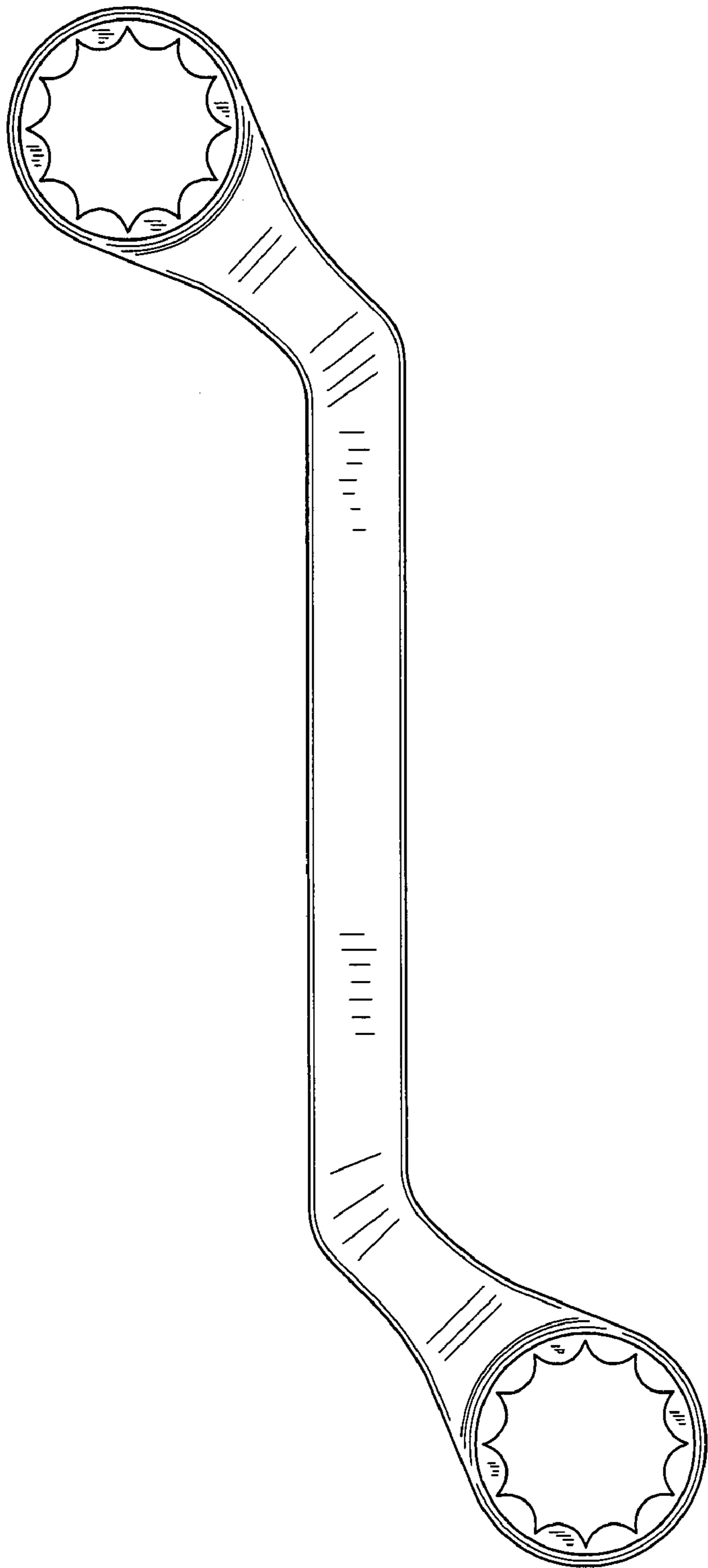


FIG. 1

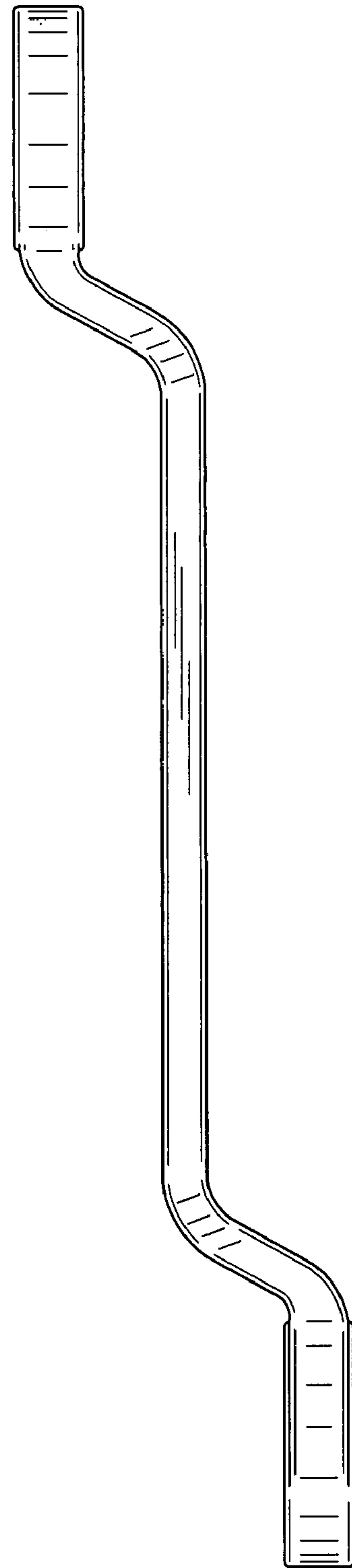


FIG. 2

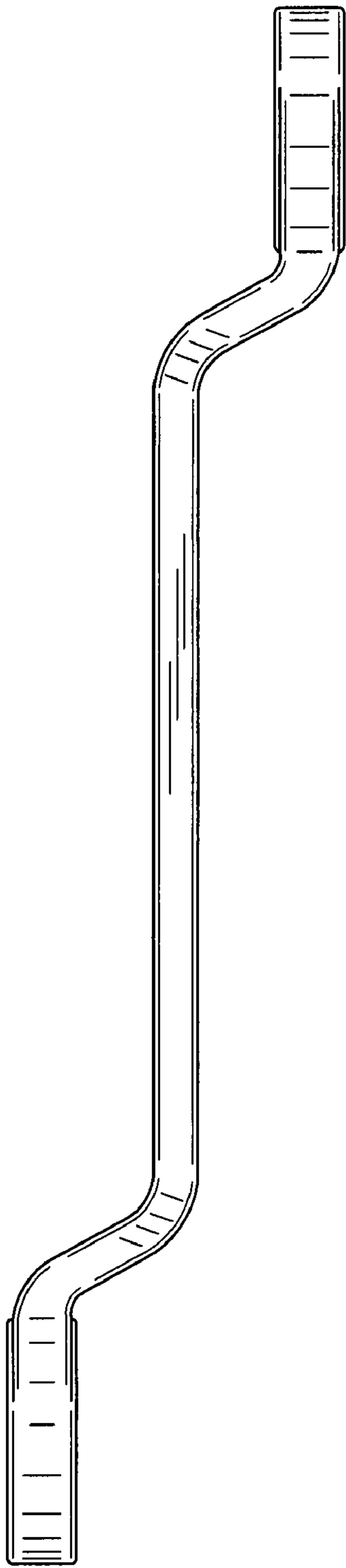


FIG. 3

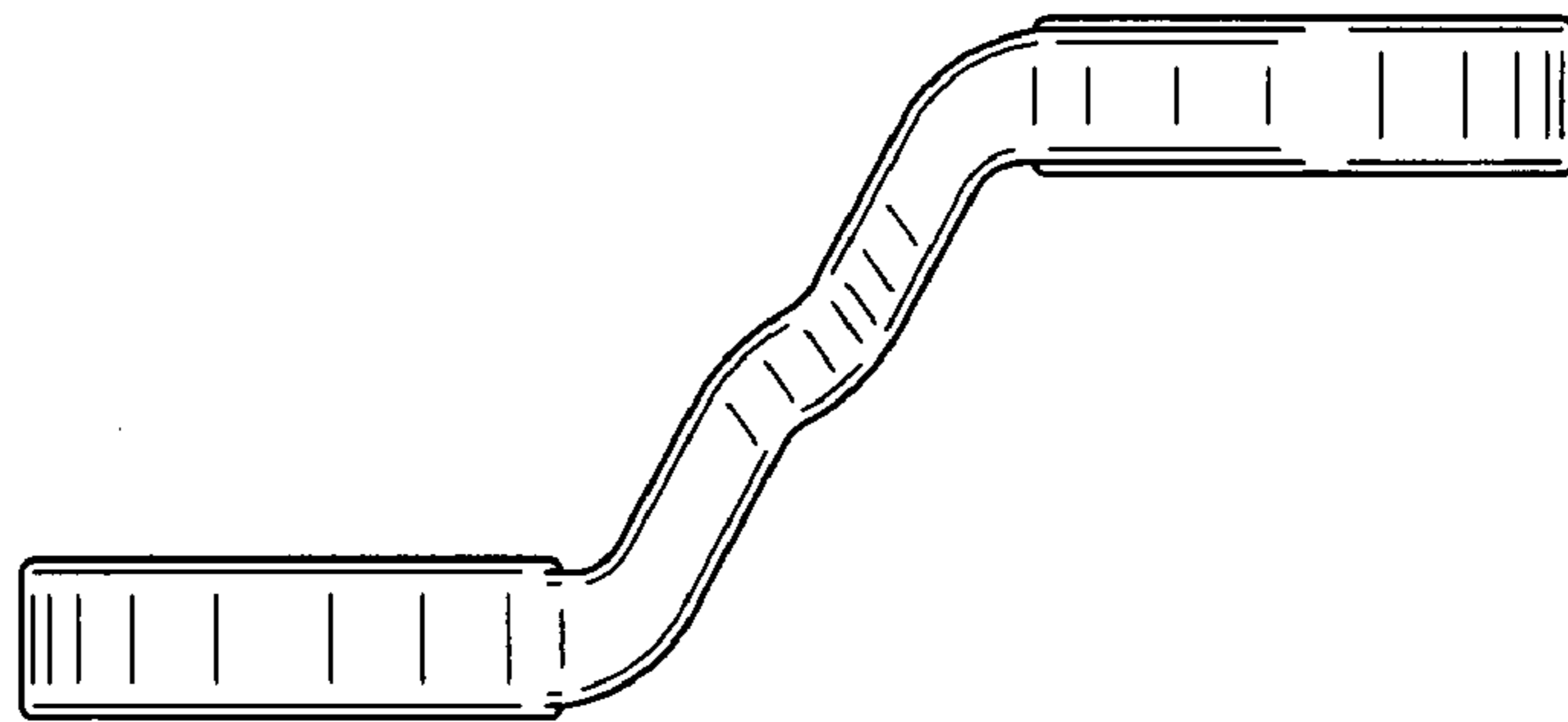


FIG. 4

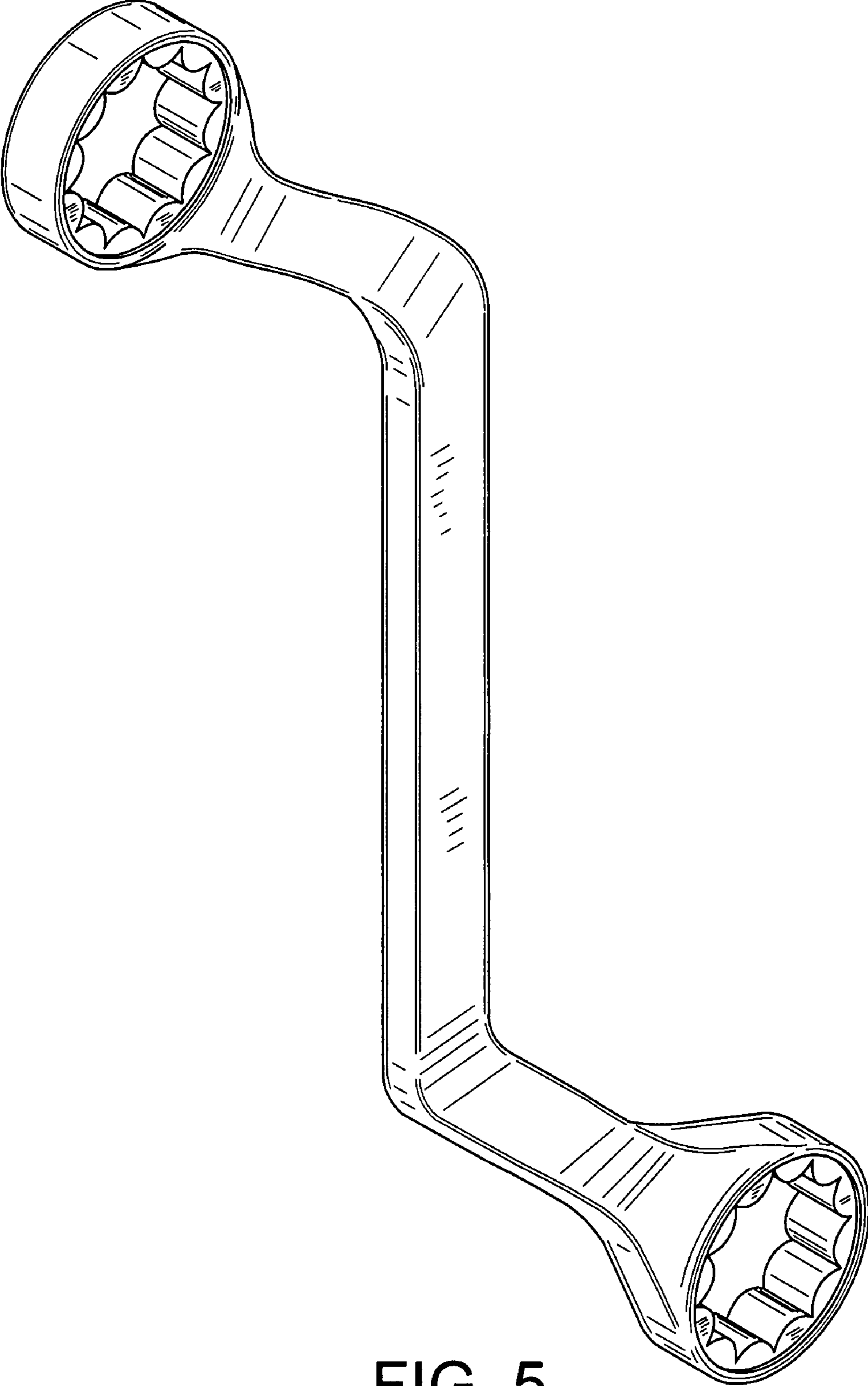


FIG. 5