



US00D552439S

(12) **United States Design Patent**
Hsieh

(10) **Patent No.:** **US D552,439 S**

(45) **Date of Patent:** **** Oct. 9, 2007**

(54) **HEAD PORTION OF A SPANNER WITH A BENDING DRIVING HEAD**

7,013,765 B2 * 3/2006 Chang 81/177.2
D520,822 S * 5/2006 Hsieh D8/24

(76) Inventor: **Chih-Ching Hsieh**, 235 Chung-Ho Box
8-24, Taipei (TW)

* cited by examiner

Primary Examiner—Raphael Barkai
Assistant Examiner—Randall H. Gholson

(**) Term: **14 Years**

(21) Appl. No.: **29/264,720**

(57) **CLAIM**

(22) Filed: **Aug. 17, 2006**

The ornamental design for a head portion of a spanner with a bending driving head, as shown and described.

(51) **LOC (8) Cl.** **08-05**

(52) **U.S. Cl.** **D8/27; D8/25**

(58) **Field of Classification Search** D8/21-30;
81/60, 177.1, 177.85, 119, 121.1, 186, 124.3,
81/165-170, 110.1, 176.2, 124.6, 176.1, 176.15,
81/177.2; 219/75, 227, 229, 121.16, 121.18;
16/110.1

See application file for complete search history.

DESCRIPTION

FIG. 1 is a perspective view of a head portion of a spanner with a bending driving head showing my new design;

FIG. 2 is a front elevational view thereof;

FIG. 3 is a rear elevational view thereof;

FIG. 4 is a left side view thereof;

FIG. 5 is a right side view thereof;

FIG. 6 is a top plan view thereof; and,

FIG. 7 is a bottom plan view thereof.

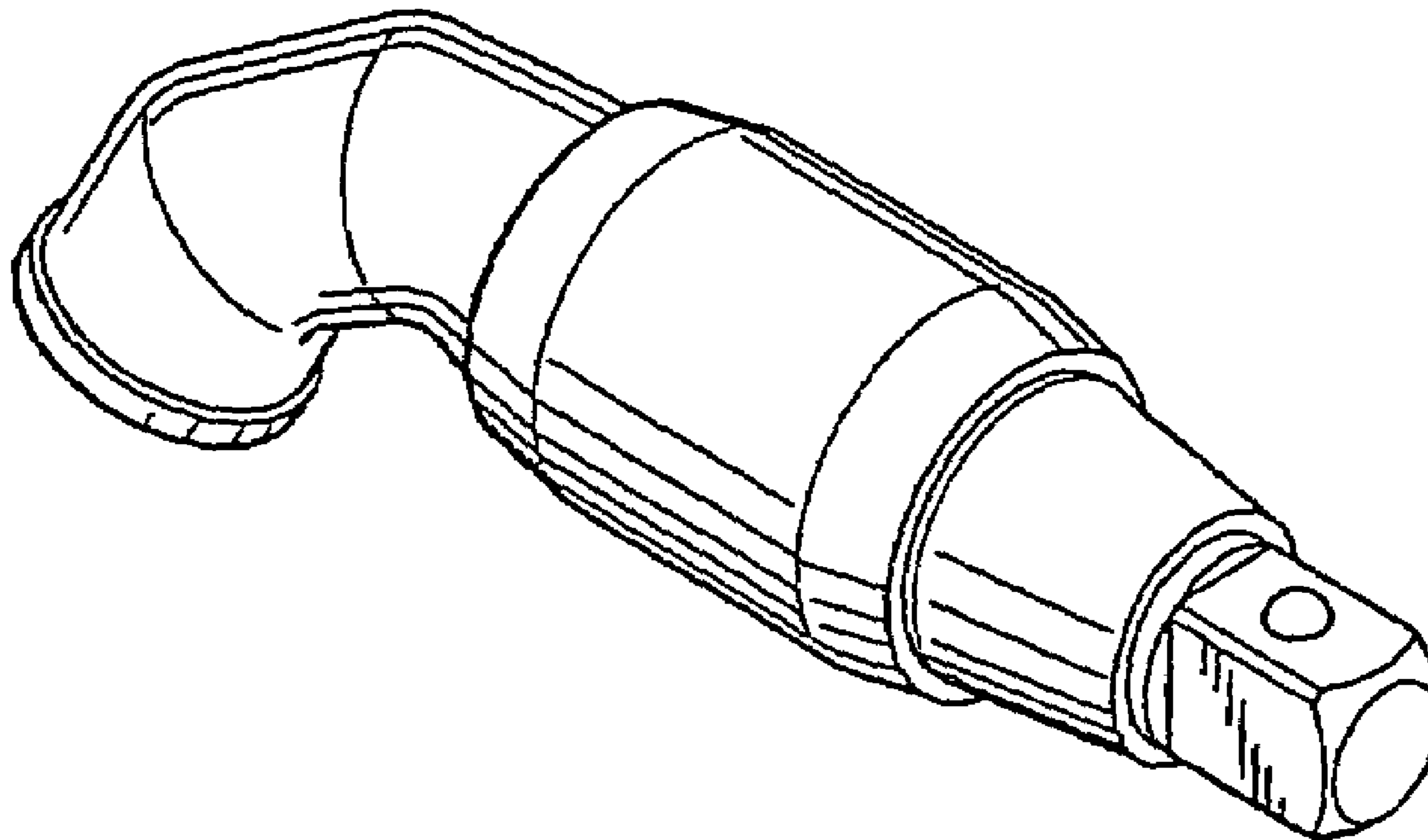
FIG. 8 shows one application of the present invention, the broken lines are for illustrative purposes and form no part of the claimed design.

(56) **References Cited**

U.S. PATENT DOCUMENTS

- 1,469,662 A * 10/1923 Leopold 81/124.6
- 2,205,501 A * 6/1940 Sunnen 81/478
- 4,691,599 A * 9/1987 Schultz 81/177.2
- D314,021 S * 1/1991 Kuljis D21/572
- 5,937,695 A * 8/1999 Patterson 72/458
- 6,427,564 B1 * 8/2002 Nelson 81/177.2

1 Claim, 5 Drawing Sheets



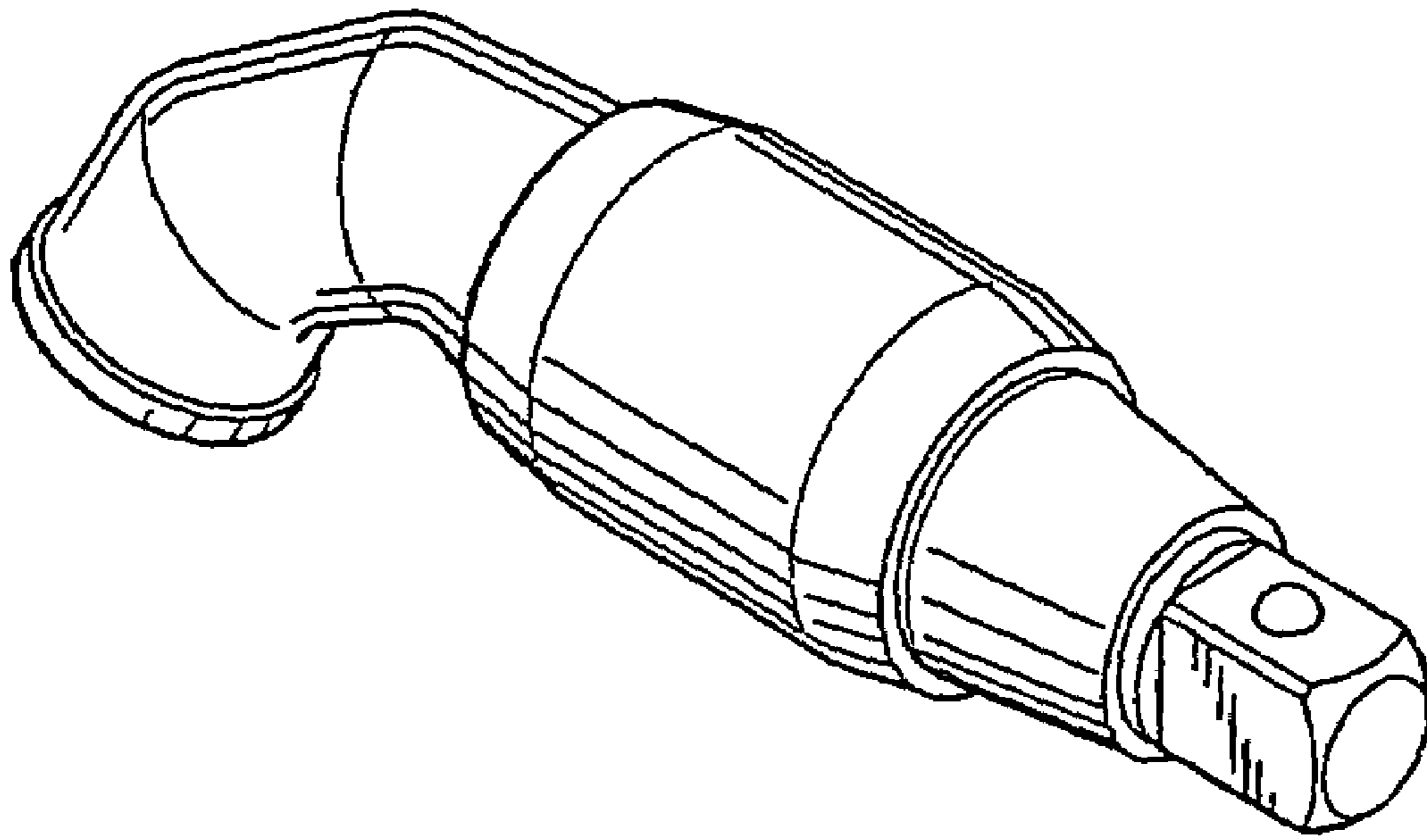


FIG. 1

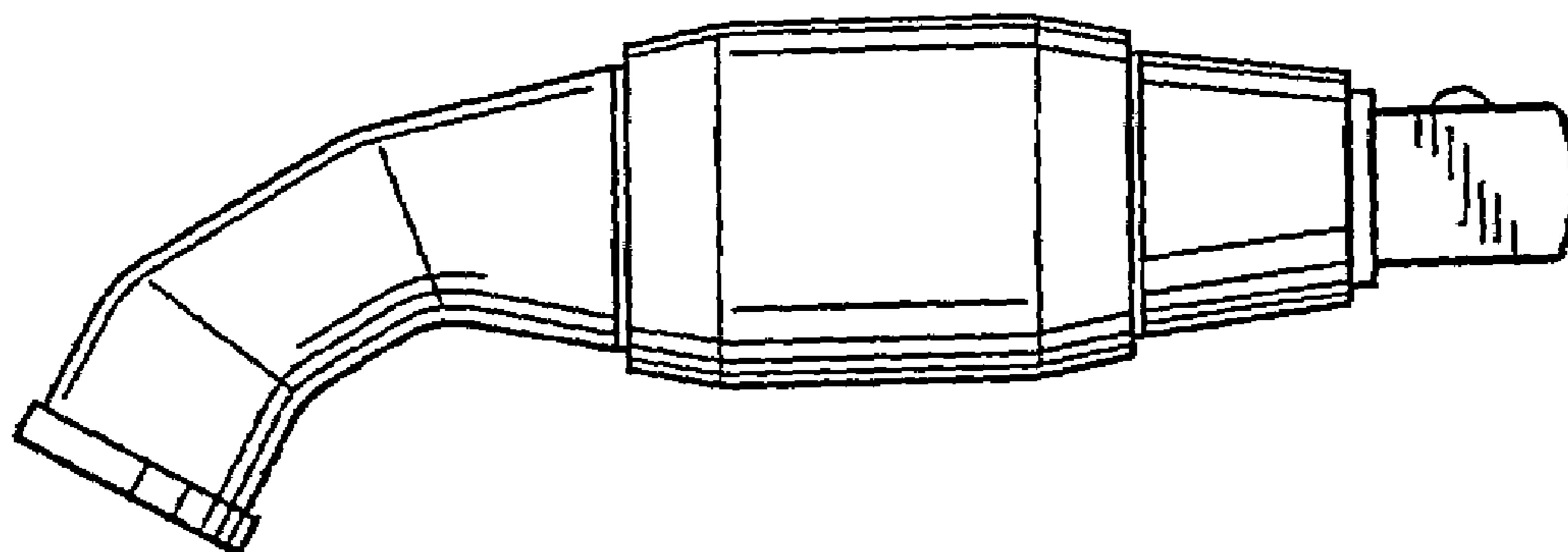


FIG. 2

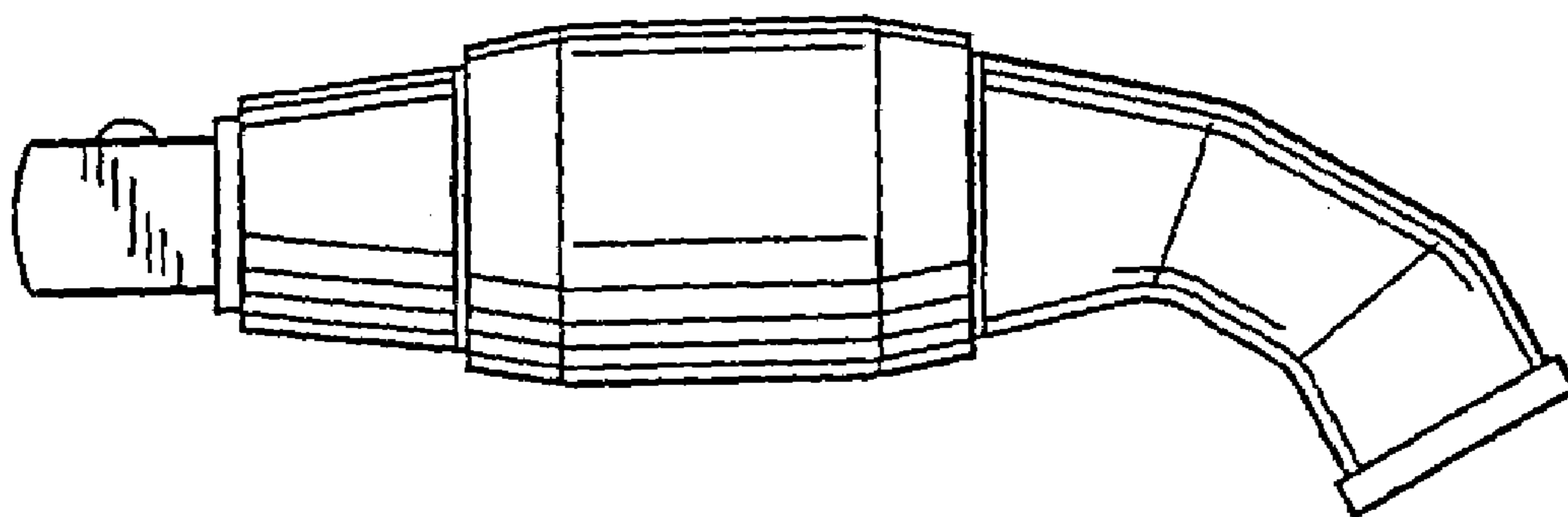


FIG. 3

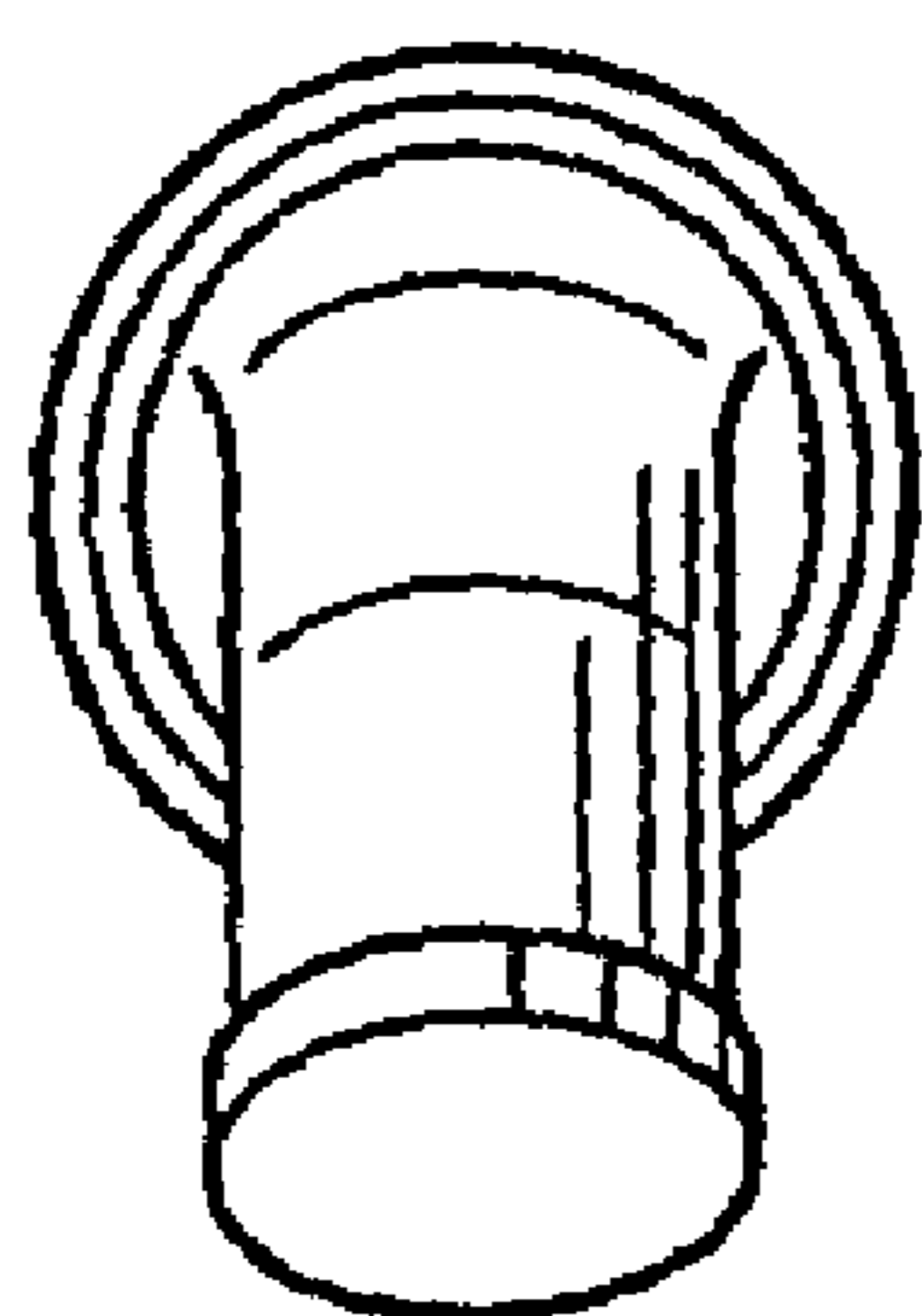


FIG. 4

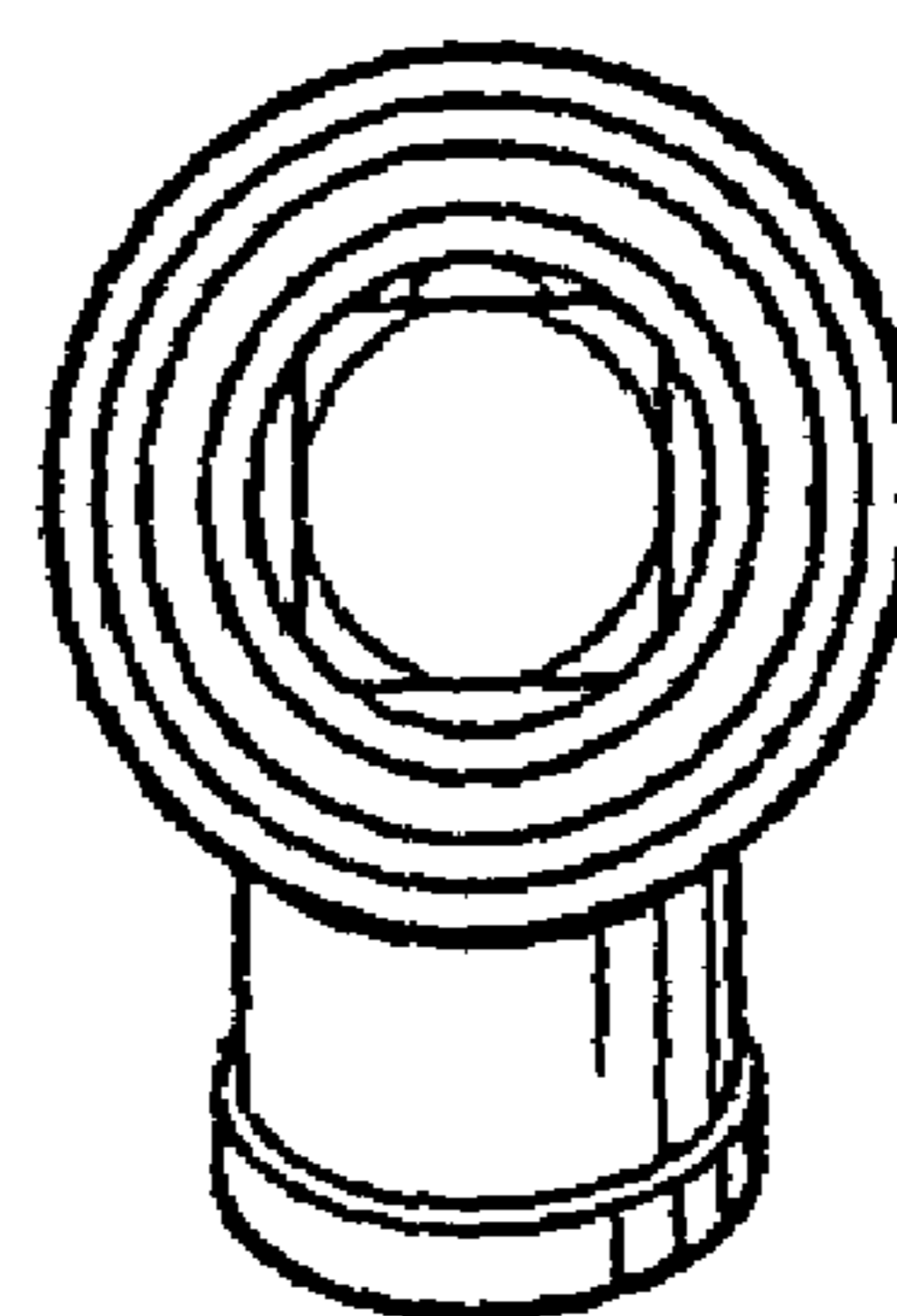


FIG. 5

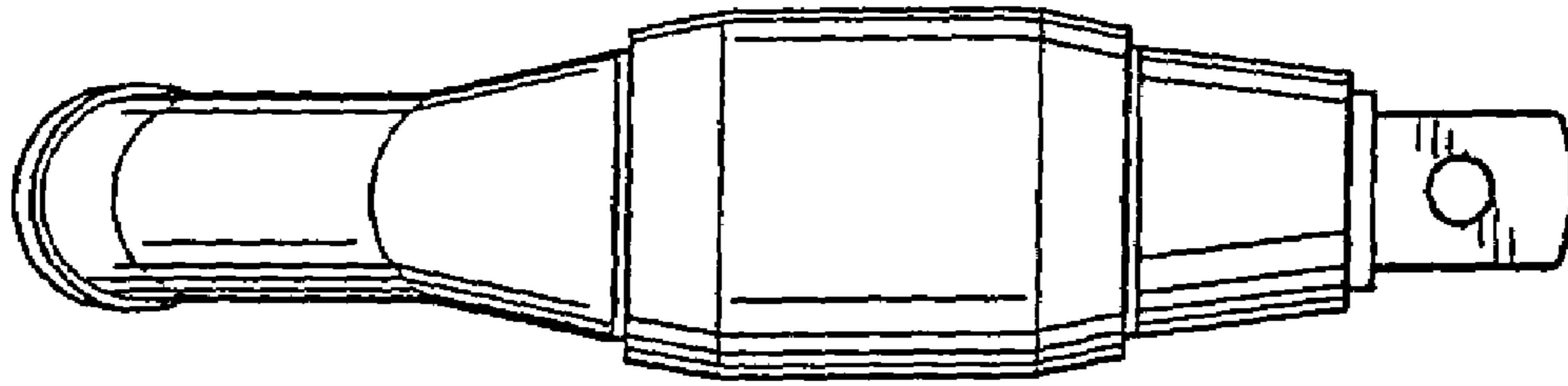


FIG. 6

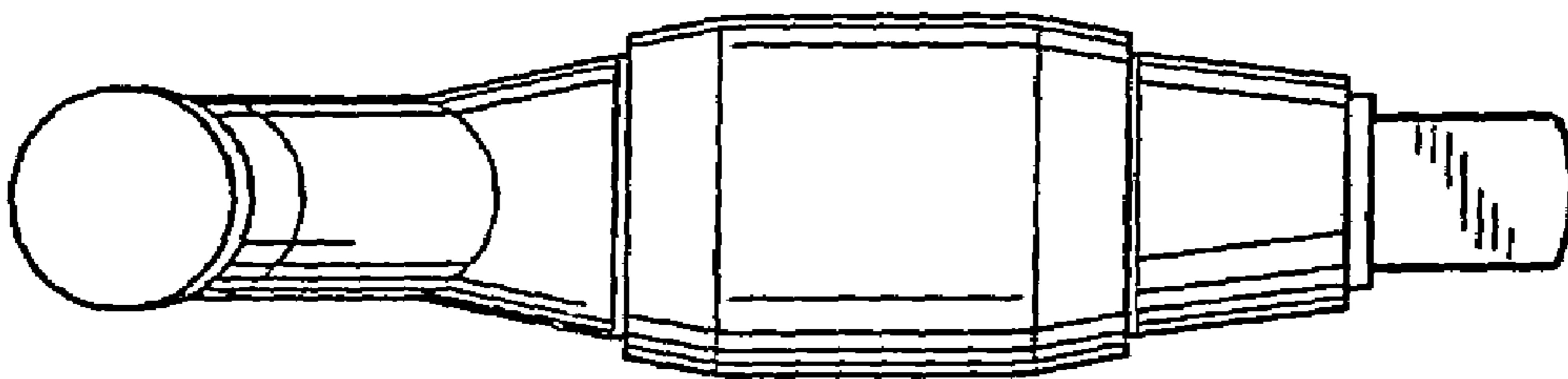


FIG. 7

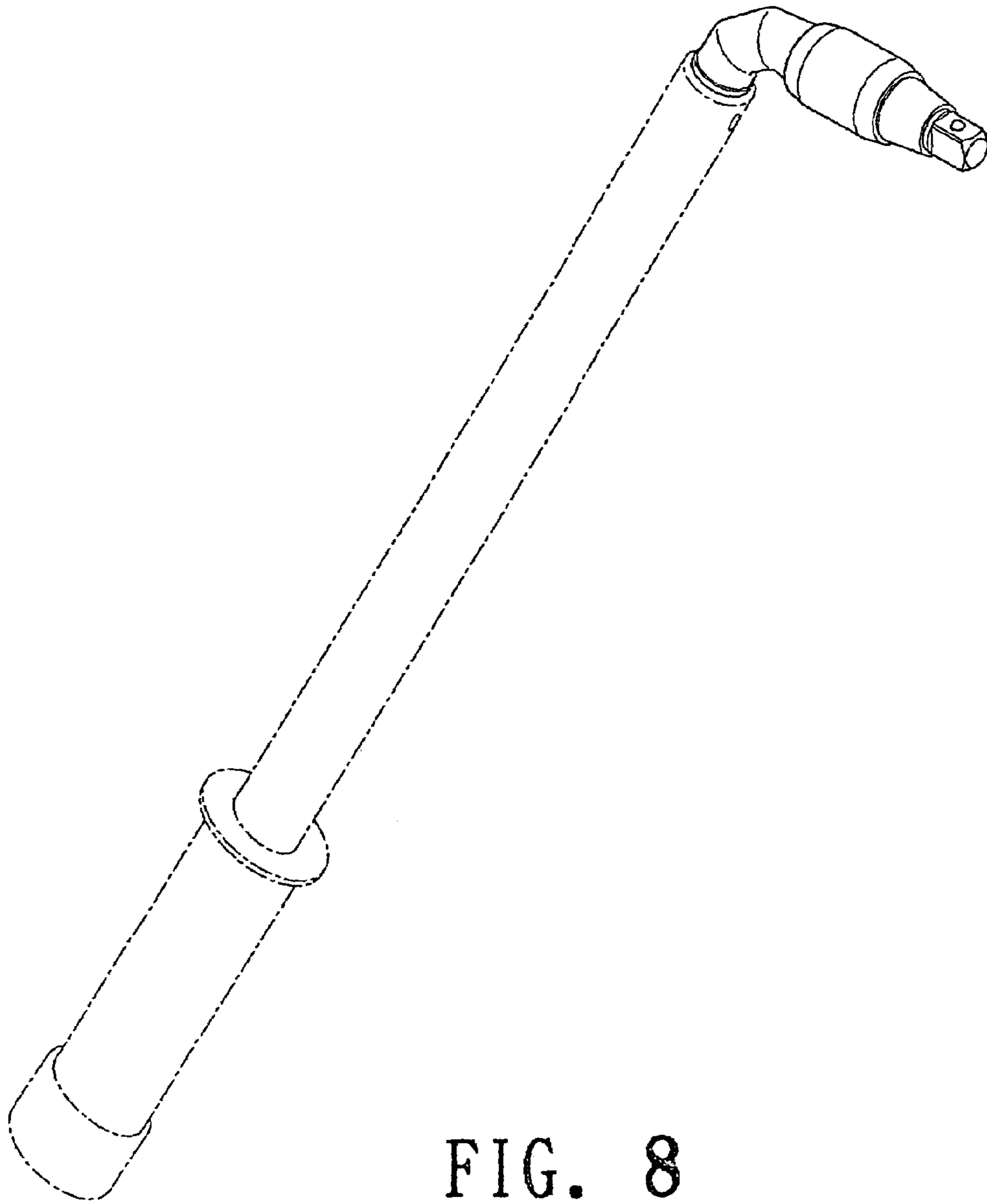


FIG. 8