



US00D552436S

(12) **United States Design Patent**  
**Stratford**

(10) **Patent No.:** **US D552,436 S**

(45) **Date of Patent:** **\*\* Oct. 9, 2007**

(54) **STRING TRIMMER**

(75) Inventor: **Mark Stratford**, Darlington (GB)

(73) Assignee: **Black & Decker Inc.**, Newark, DE (US)

(\*\*) Term: **14 Years**

(21) Appl. No.: **29/253,860**

(22) Filed: **Feb. 14, 2006**

(30) **Foreign Application Priority Data**

Aug. 19, 2005 (EM) ..... 000388756

(51) **LOC (8) Cl.** ..... **08-01**

(52) **U.S. Cl.** ..... **D8/8**

(58) **Field of Classification Search** ..... D8/7,  
D8/8, 14; 56/12.7; 30/276

See application file for complete search history.

(56) **References Cited**

**U.S. PATENT DOCUMENTS**

- D343,554 S \* 1/1994 Watanabe et al. .... D8/8
- 5,363,723 A \* 11/1994 Hoffman ..... 74/606 R
- 5,644,844 A \* 7/1997 Pink ..... 30/276
- 5,950,317 A \* 9/1999 Yates et al. .... 30/276
- 5,987,756 A \* 11/1999 Yates et al. .... 30/276
- D510,512 S \* 10/2005 Robson ..... D8/8
- 6,973,728 B2 \* 12/2005 Ellson et al. .... 30/276
- D530,163 S \* 10/2006 Xue-Feng ..... D8/8

7,134,208 B2 \* 11/2006 Wilkinson et al. .... 30/276

\* cited by examiner

*Primary Examiner*—Holly H. Baynham

*Assistant Examiner*—Sheryl Friedman

(74) *Attorney, Agent, or Firm*—John Yun; Bruce S. Shapiro; Wesley Muller

(57) **CLAIM**

The ornamental design for a string trimmer, as shown and described.

**DESCRIPTION**

FIG. 1 is a perspective view of a string trimmer showing my new design.

FIG. 2 is a right side view of a string trimmer according to FIG. 1.

FIG. 3 is a left side view of a string trimmer according to FIG. 1.

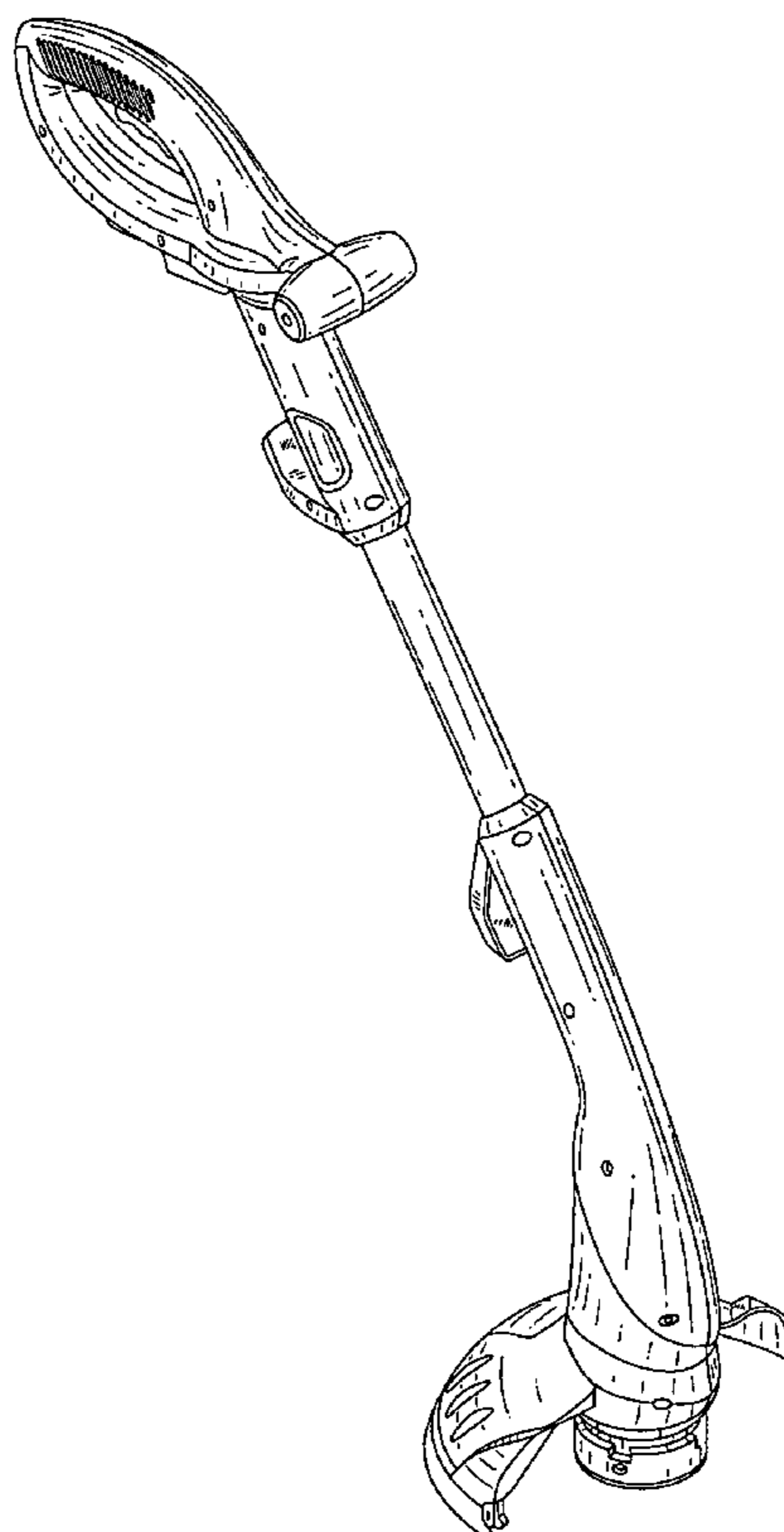
FIG. 4 is a front view of a string trimmer according to FIG. 1.

FIG. 5 is a rear view of a string trimmer according to FIG. 1.

FIG. 6 is a top view of a string trimmer according to FIG. 1; and,

FIG. 7 is a bottom view of a string trimmer according to FIG. 1.

**1 Claim, 5 Drawing Sheets**



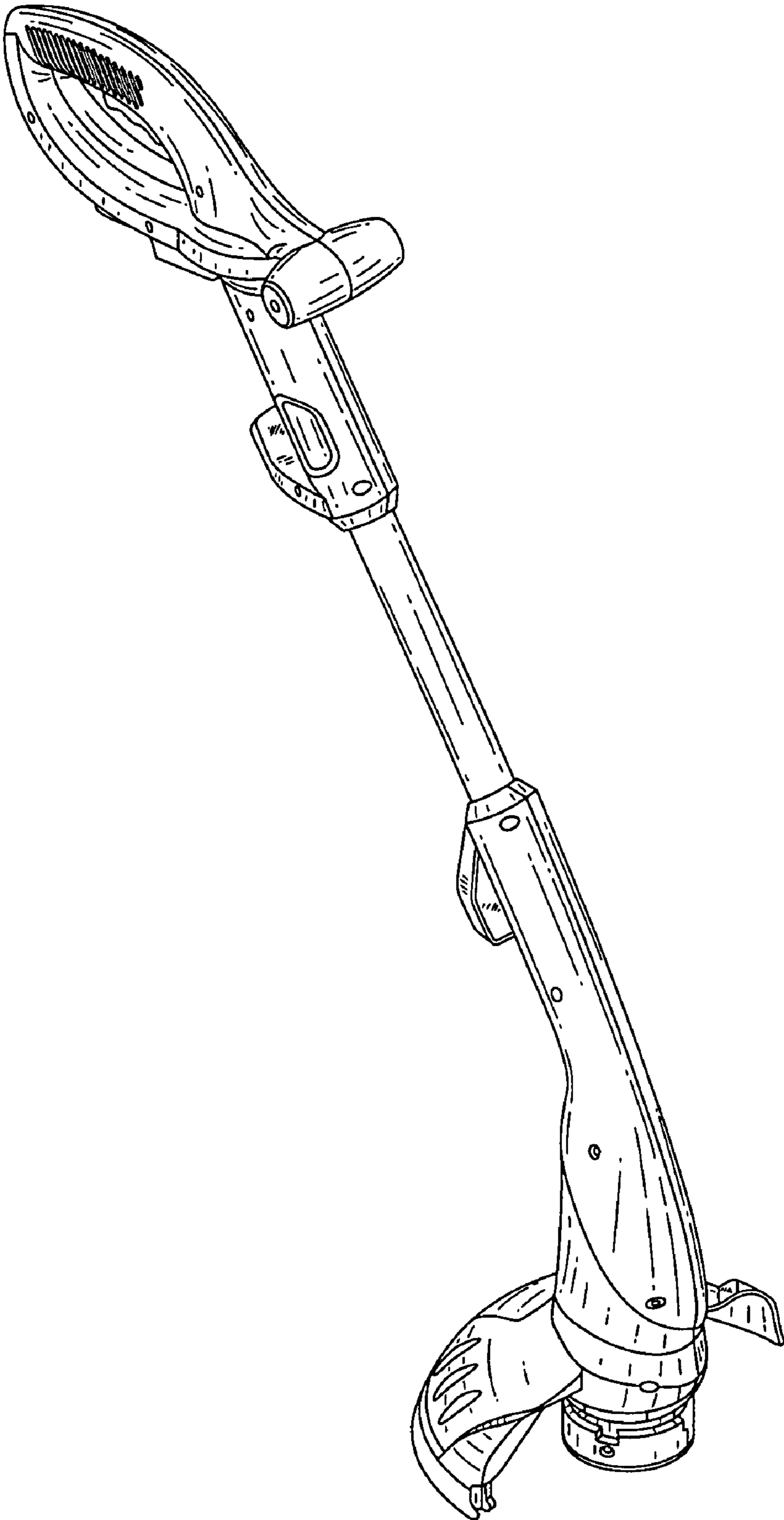


FIG. 1

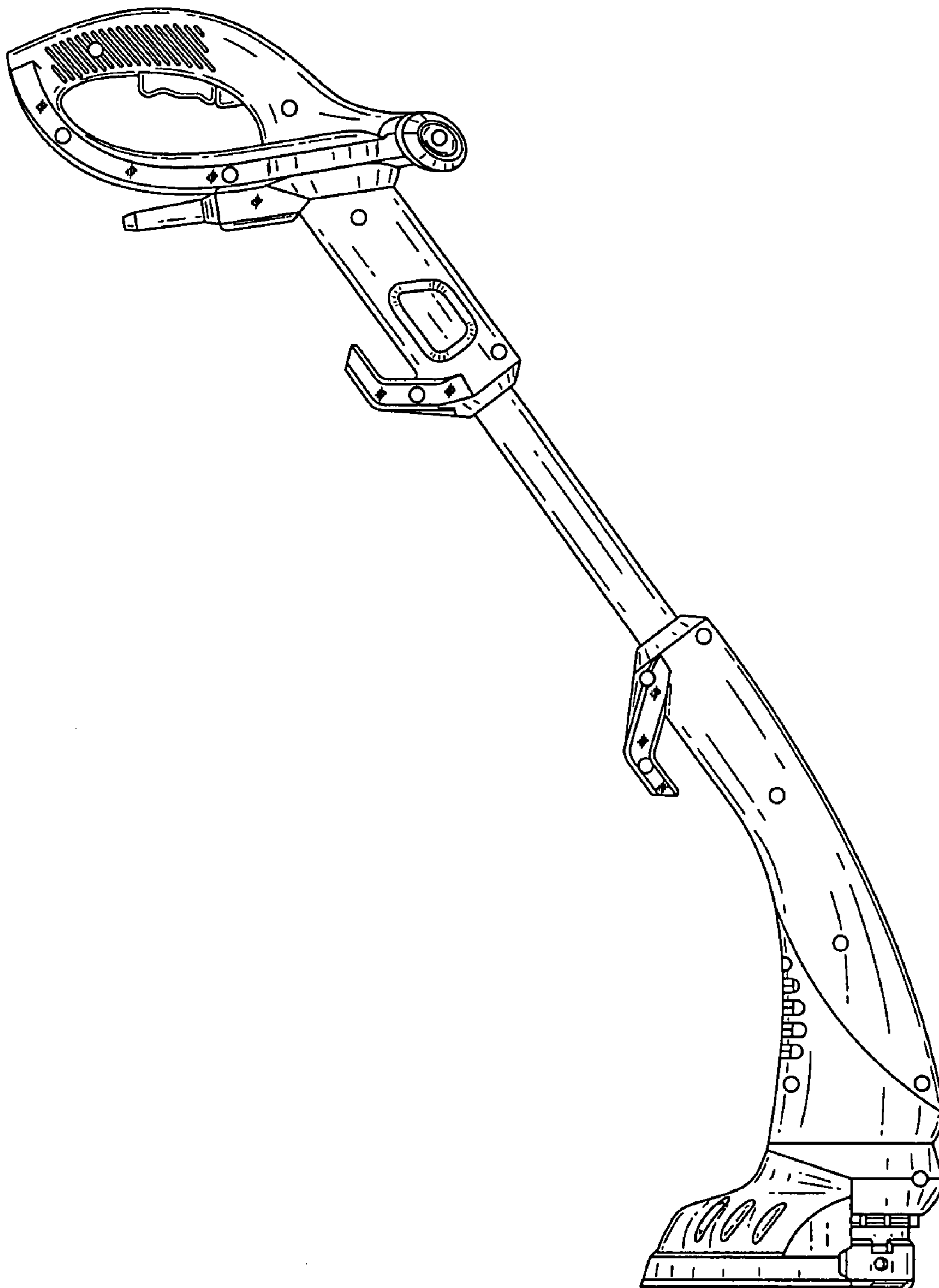


FIG. 2

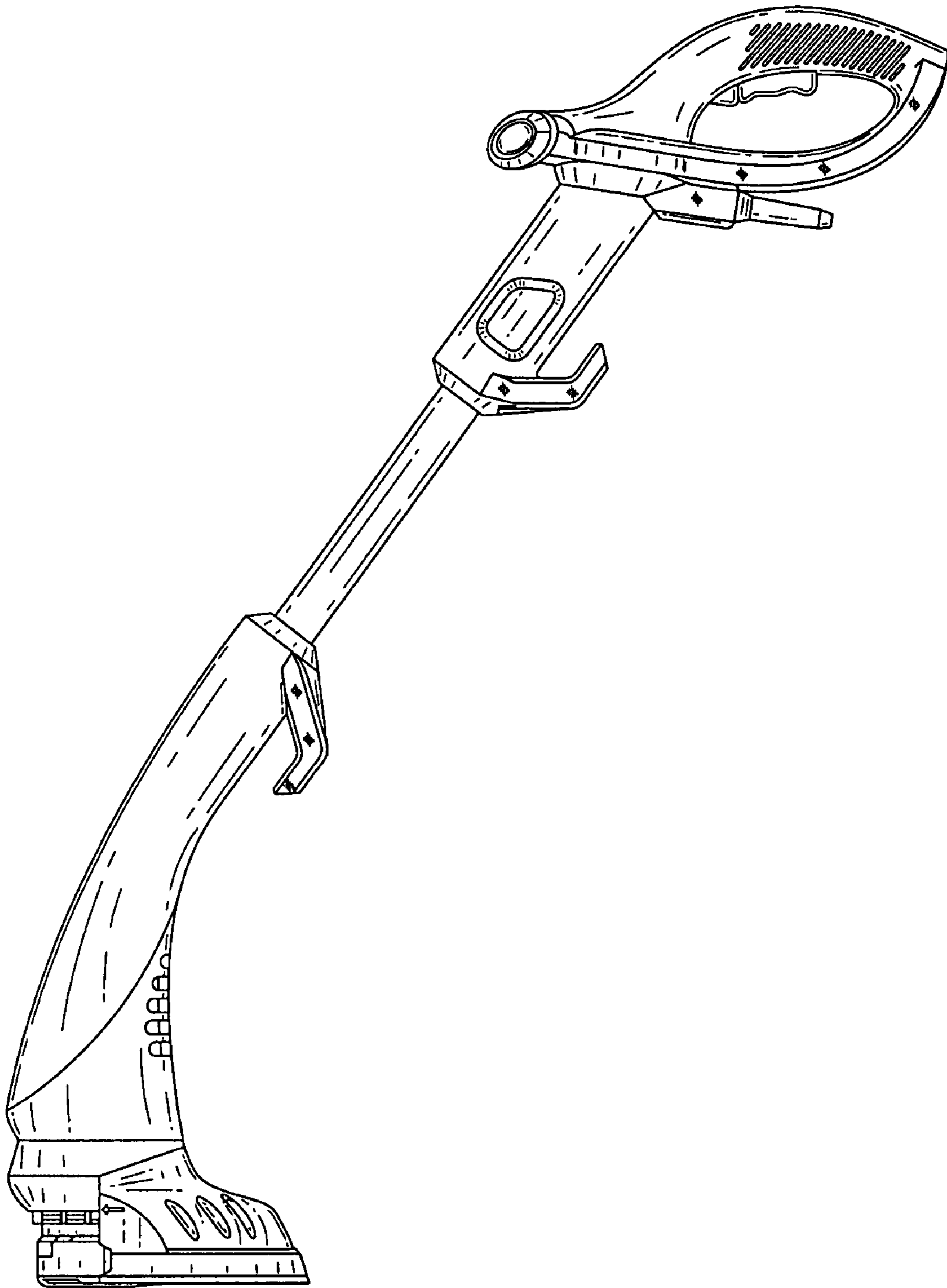


FIG. 3

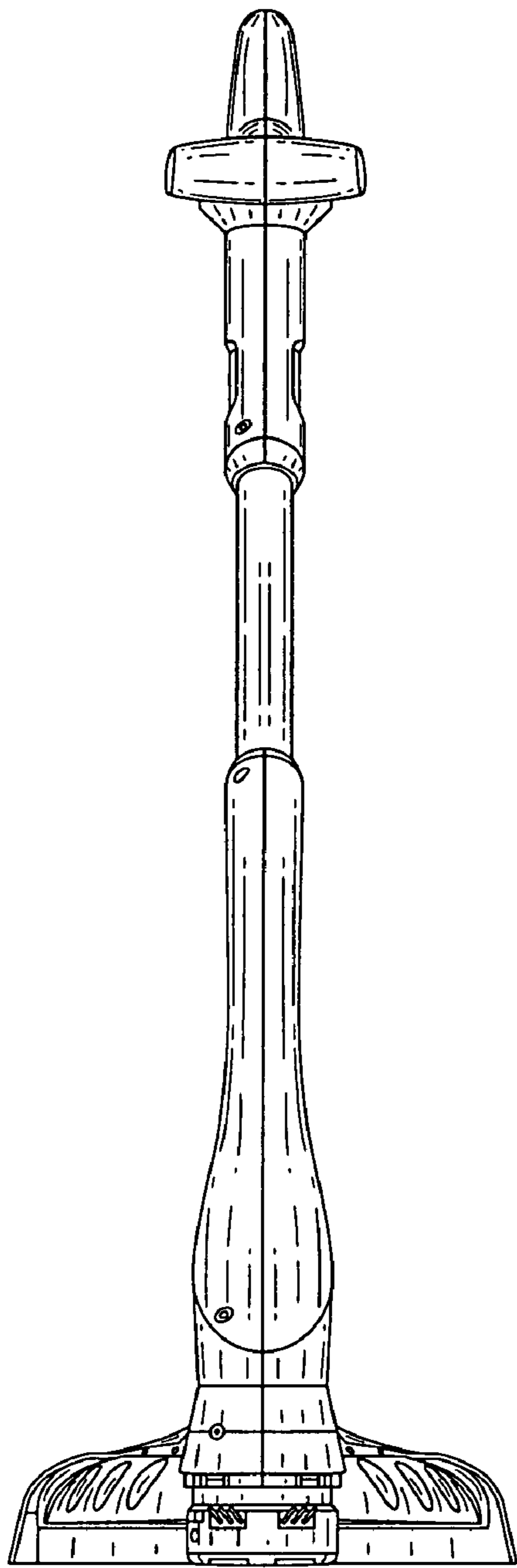


FIG. 4

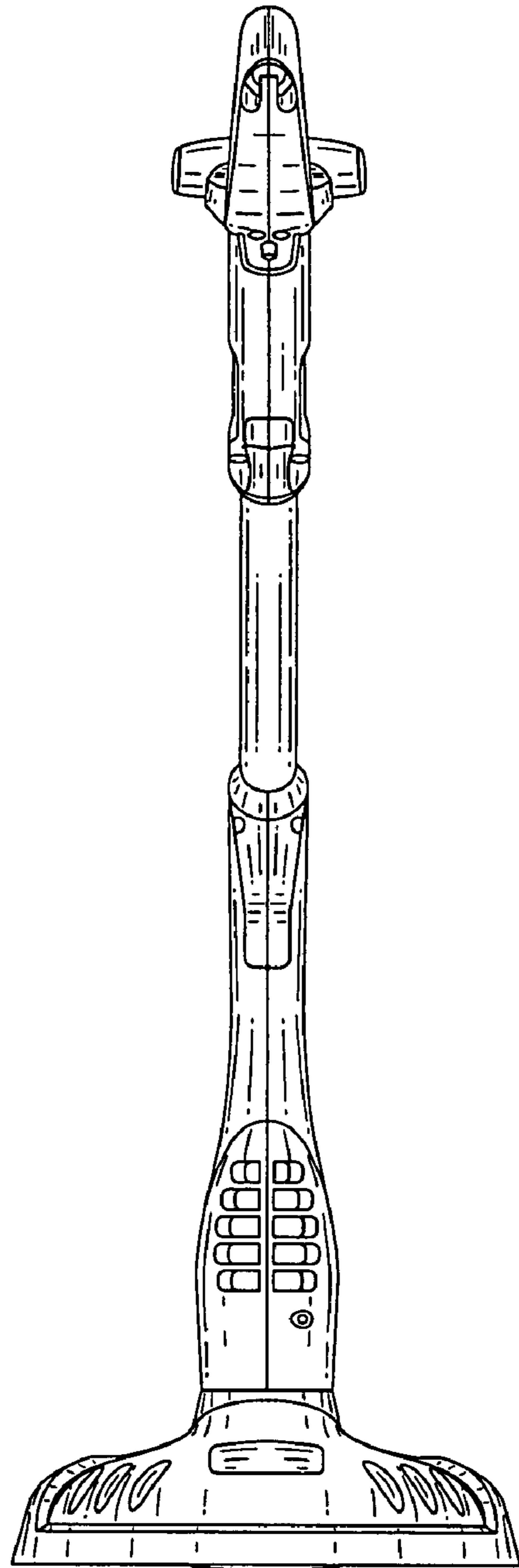


FIG. 5



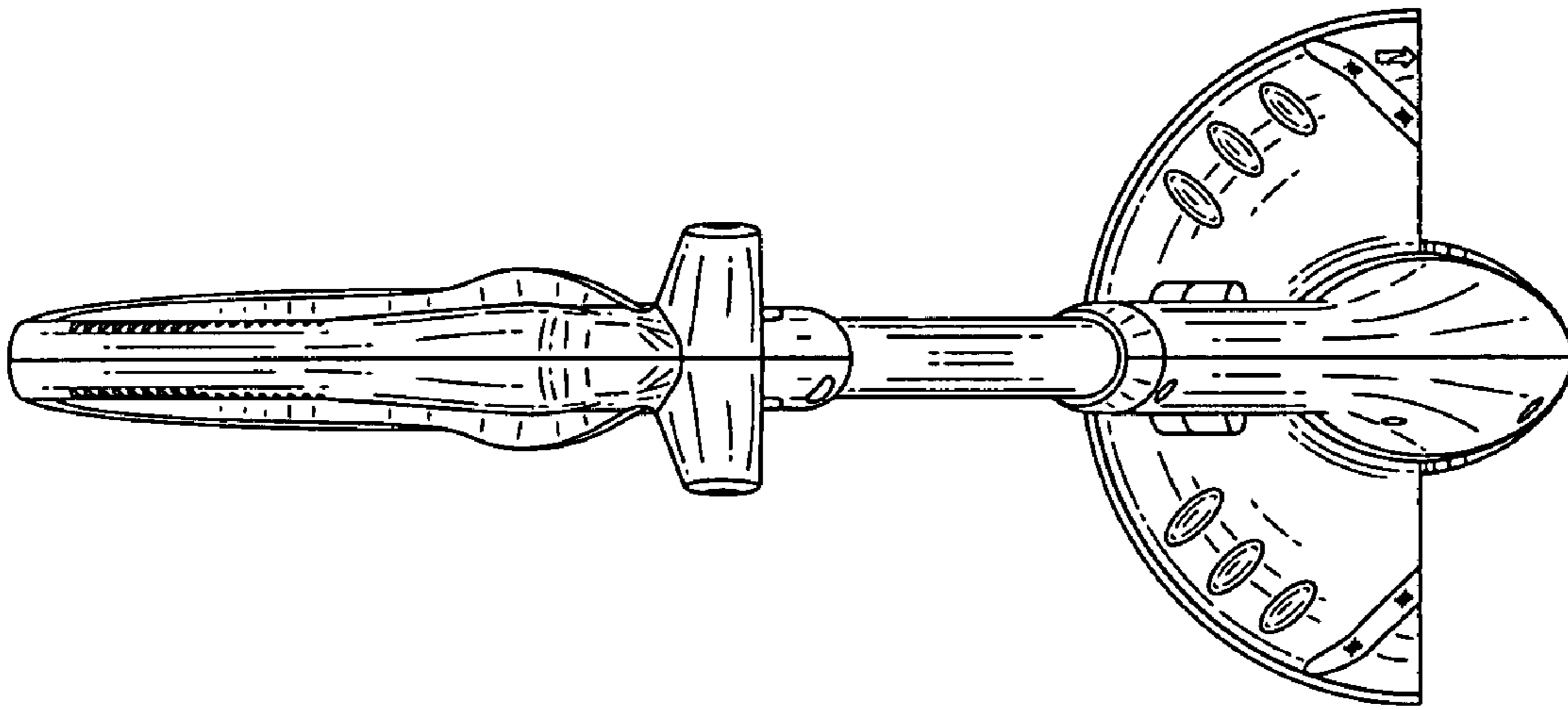


FIG. 6

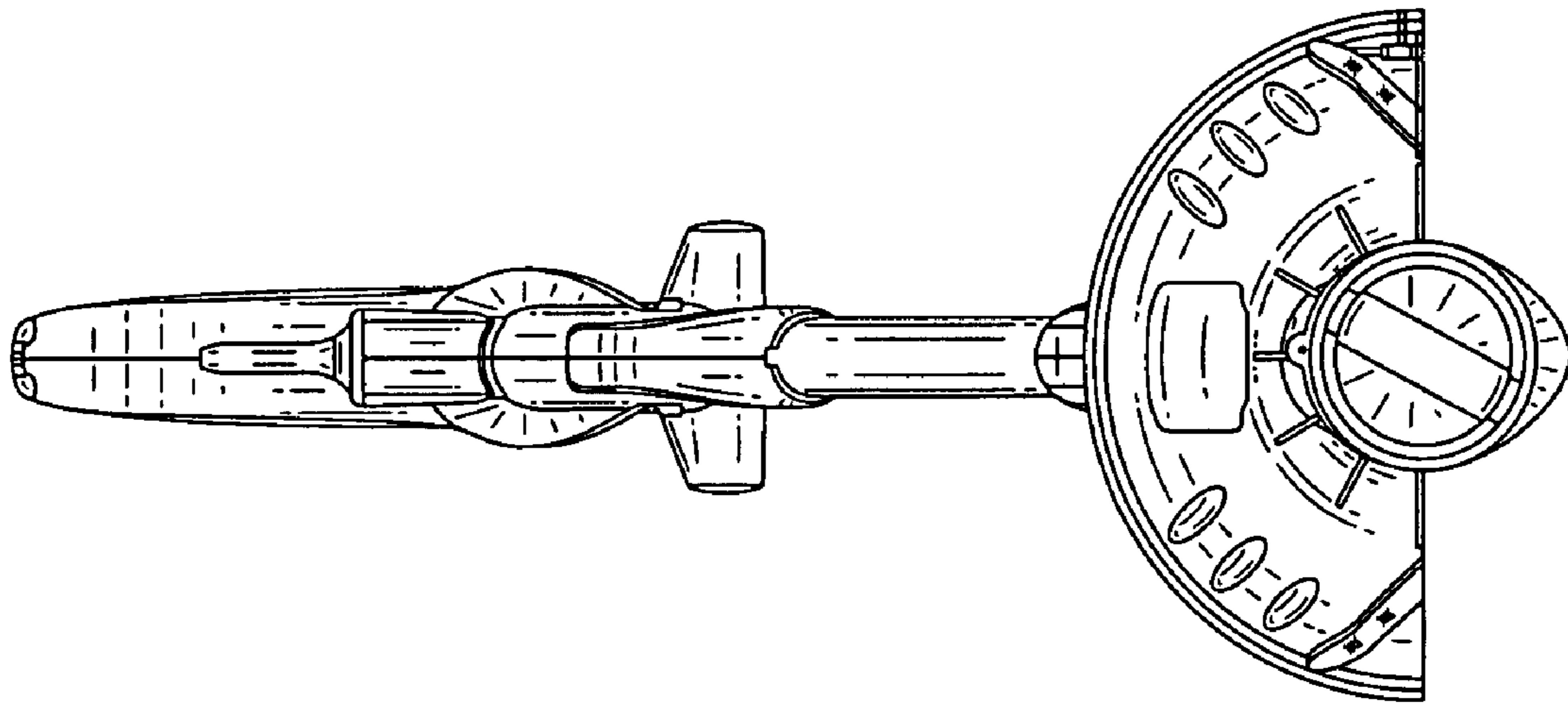


FIG. 7