



US00D552434S

(12) **United States Design Patent**  
**Laib et al.**

(10) **Patent No.:** **US D552,434 S**

(45) **Date of Patent:** **\*\* Oct. 9, 2007**

(54) **PASTA FORM**

(75) Inventors: **Douglas M. Laib**, Orlando, FL (US);  
**Victor J. J. Cautereels**, Ranst (BE)

(73) Assignee: **Dart Industries Inc.**, Orlando, FL (US)

(\*\*) Term: **14 Years**

(21) Appl. No.: **29/265,825**

(22) Filed: **Sep. 8, 2006**

(51) **LOC (8) Cl.** ..... **07-04**

(52) **U.S. Cl.** ..... **D7/677**

(58) **Field of Classification Search** ..... D7/672-677;  
425/510, 383, 292, 298, 306, 310, 324.1;  
249/119, 120, 129, 132, 134, 69, 76  
See application file for complete search history.

(56) **References Cited**

**U.S. PATENT DOCUMENTS**

422,221	A *	2/1890	Jayne	.....	249/119
2,386,993	A *	10/1945	Valdastri	.....	426/283
3,299,835	A *	1/1967	Marsili	.....	425/292
4,362,497	A *	12/1982	Lifshitz	.....	425/510

D282,431	S *	2/1986	Stricker	.....	D7/672
D315,849	S *	4/1991	Brunner	.....	D7/672
D396,388	S *	7/1998	Mishan	.....	D7/672
D457,788	S *	5/2002	Hornsby, IV	.....	D7/672

\* cited by examiner

*Primary Examiner*—Terry A. Wallace

(74) *Attorney, Agent, or Firm*—John A. Doninger

(57) **CLAIM**

The ornamental design for a pasta form, as shown and described.

**DESCRIPTION**

FIG. 1 is a top, left side and front perspective view of a pasta form showing our new design;

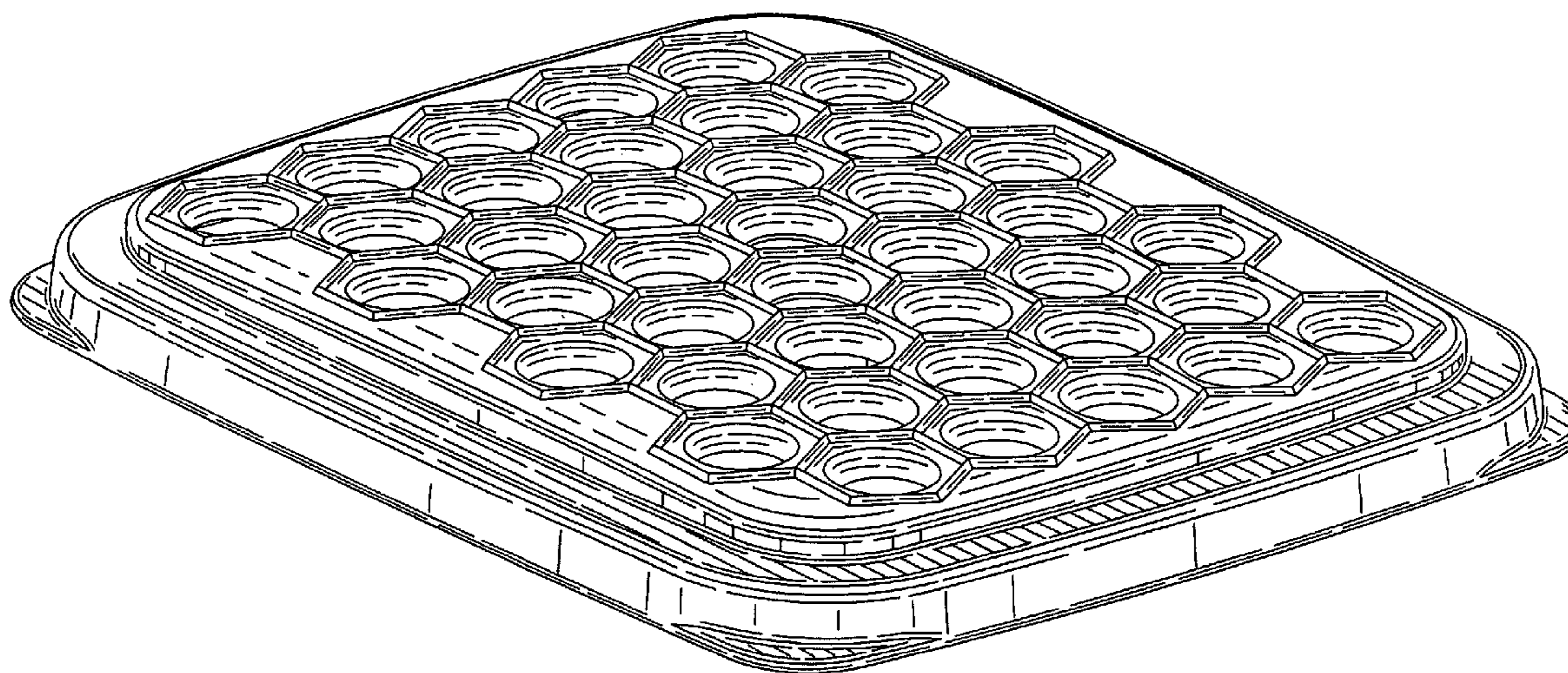
FIG. 2 is a front elevation view, the rear elevation being identical thereto;

FIG. 3 is a left side elevation view; the right side elevation being identical thereto;

FIG. 4 is a top plan view thereof; and,

FIG. 5 is a bottom plan view thereof.

**1 Claim, 4 Drawing Sheets**



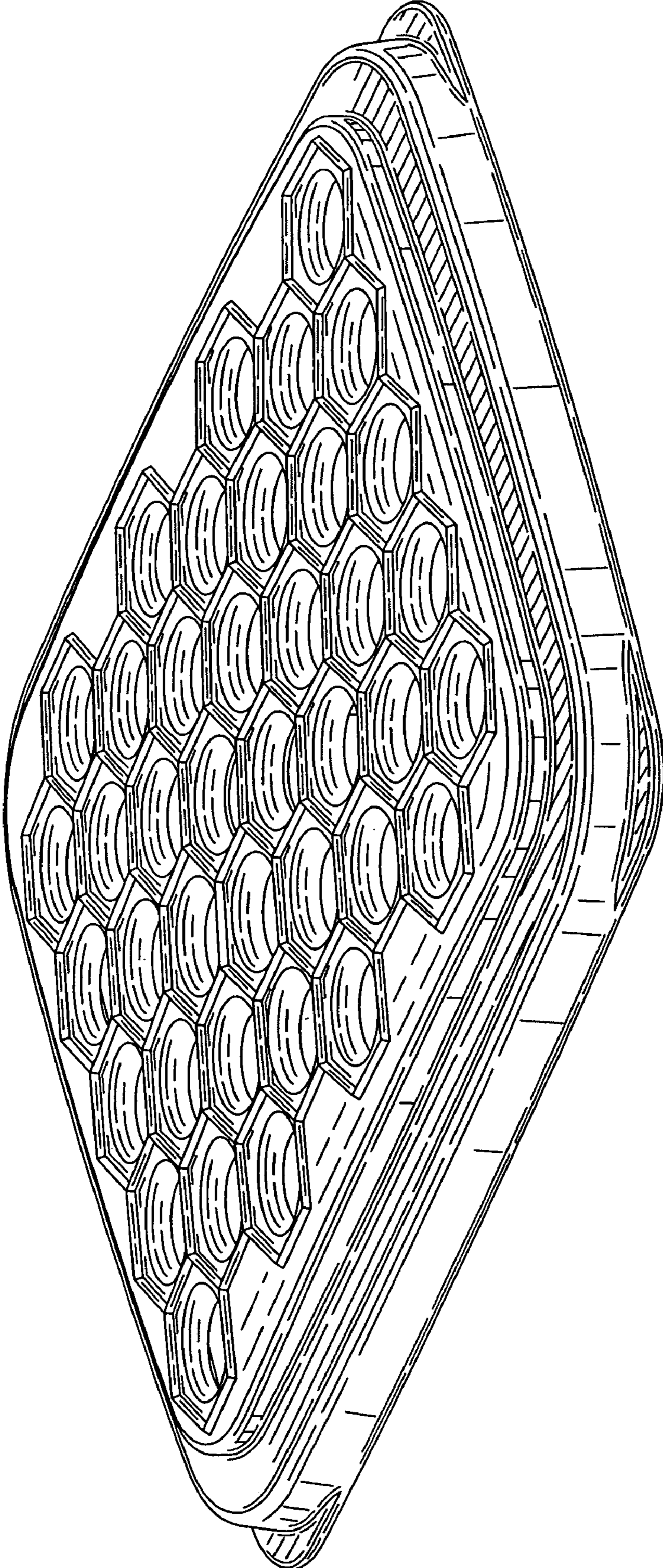


FIG. 1



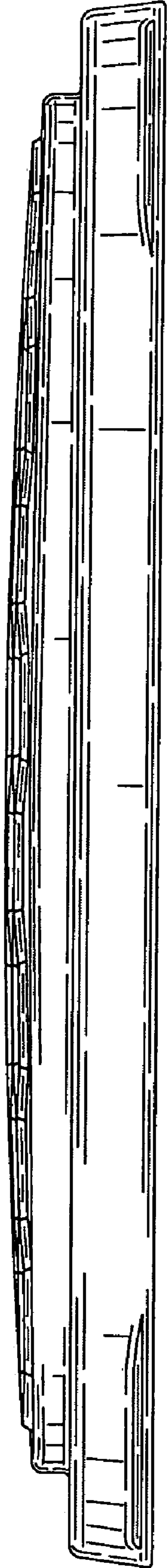


FIG. 2

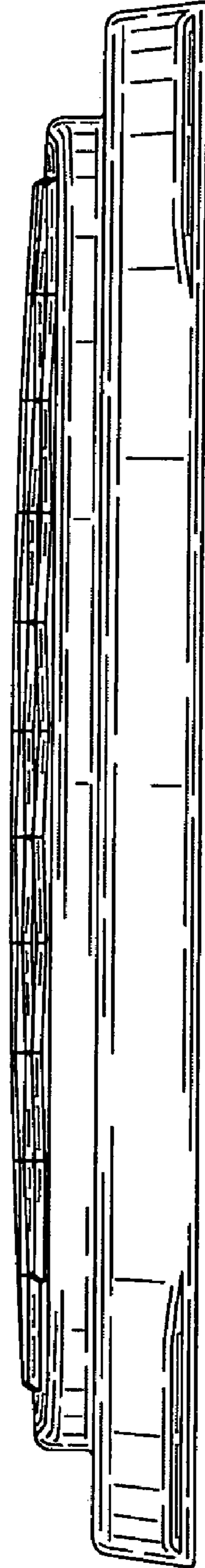


FIG. 3

FIG. 4

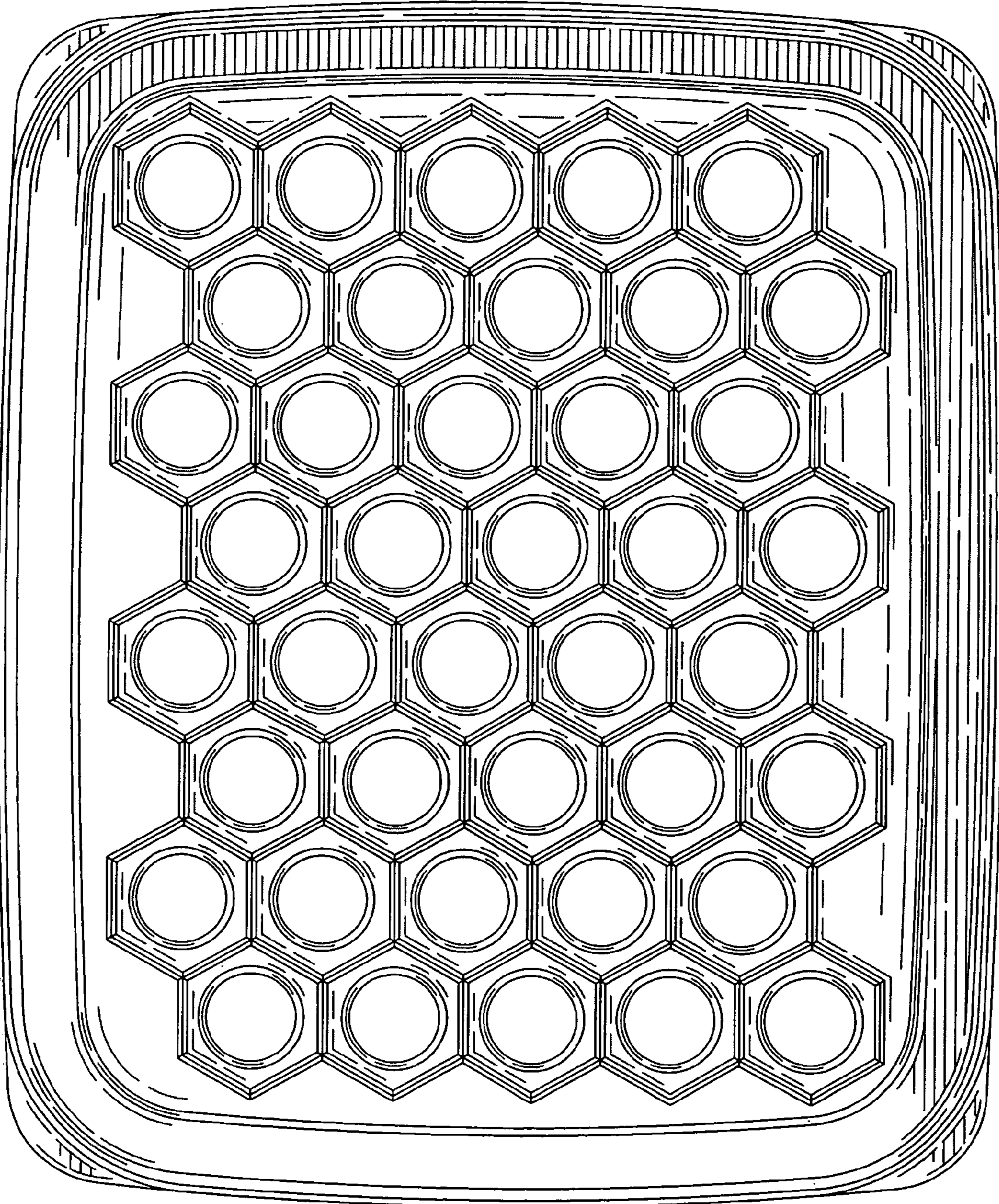




FIG. 5

