



US00D552421S

(12) **United States Design Patent**
Wolf

(10) **Patent No.:** **US D552,421 S**

(45) **Date of Patent:** **** Oct. 9, 2007**

(54) **DRINKING CUP**

(76) **Inventor:** **Geoffrey Charles Wolf**, 21 Jellicoe Avenue, Rosebank, Johannesburg (ZA)

(**) **Term:** **14 Years**

(21) **Appl. No.:** **29/242,587**

(22) **Filed:** **Nov. 14, 2005**

(51) **LOC (8) Cl.** **07-01**

(52) **U.S. Cl.** **D7/523**

(58) **Field of Classification Search** D7/392-394, D7/507-511, 523, 531-533, 536, 605, 608, D7/619.1, 622, 624.2; 215/382, 384, 386-388, 215/392, 394, 396, 398, DIG. 7; 220/62.12, 220/592.17, 669, 696, 710, 710.5, 711, 713, 220/715, 719, 739

See application file for complete search history.

(56) **References Cited**

U.S. PATENT DOCUMENTS

1,561,730	A *	11/1925	Kodama	40/324
1,879,820	A *	9/1932	Perry	215/371
D99,531	S *	5/1936	Sterling	D7/513
2,187,558	A *	1/1940	Kushima	215/12.1
2,304,278	A *	12/1942	Poster	229/400
3,028,035	A *	4/1962	Crichton	40/324
RE25,618	E *	7/1964	Goodman	220/592.17
D222,375	S *	10/1971	Bencik	D7/523
D304,514	S *	11/1989	Veizirian et al.	D7/507
D310,941	S *	10/1990	Carty	D28/44.1
D363,854	S *	11/1995	Katz	D7/509
5,487,486	A *	1/1996	Meneo	220/504

D367,413	S *	2/1996	Ballin	D8/34
5,769,680	A *	6/1998	Hoffman	446/75
D400,398	S *	11/1998	McNaughton	D7/513
D428,771	S *	8/2000	Novi	D7/584
D471,404	S *	3/2003	Gady	D7/523
D532,257	S *	11/2006	Mansfield	D7/513
D533,404	S *	12/2006	Mansfield	D7/513
D534,768	S *	1/2007	Mansfield	D7/513
D539,091	S *	3/2007	Mansfield	D7/513
2006/0021986	A1 *	2/2006	Mansfield et al.	220/506

* cited by examiner

Primary Examiner—T. Chase Nelson

Assistant Examiner—Karen Acker

(74) *Attorney, Agent, or Firm*—Young & Thompson

(57) **CLAIM**

The ornamental design for a drinking cup, as shown and described.

DESCRIPTION

FIG. 1 is a top, perspective view of a drinking cup showing my new design;

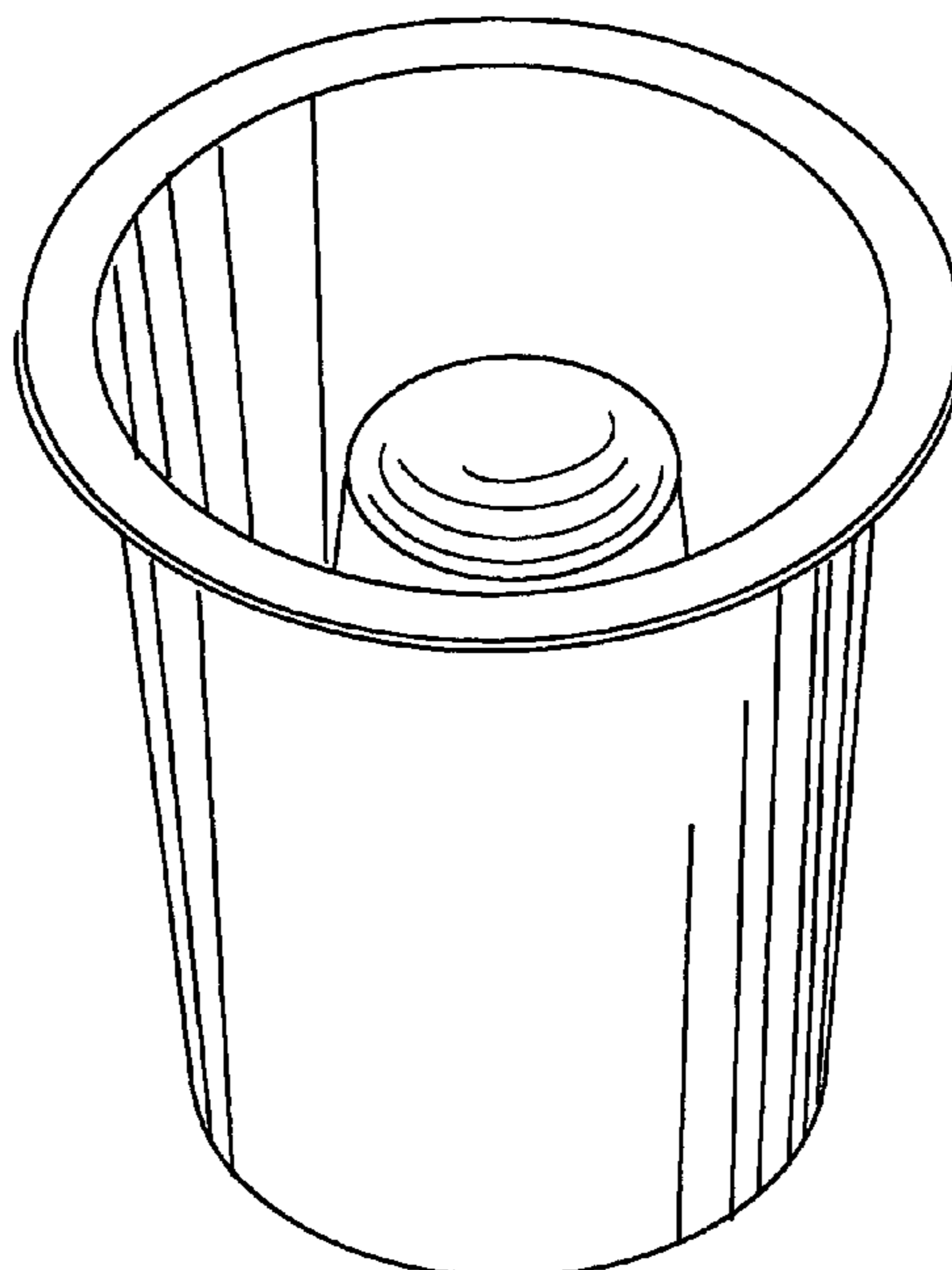
FIG. 2 is a side view thereof;

FIG. 3 is a top plan view thereof; and,

FIG. 4 is a bottom plan view thereof.

The conical-like protrusion within the interior of the drinking cup is understood to angle downward and extend to the bottom of the drinking cup where it is open from the bottom side.

1 Claim, 2 Drawing Sheets



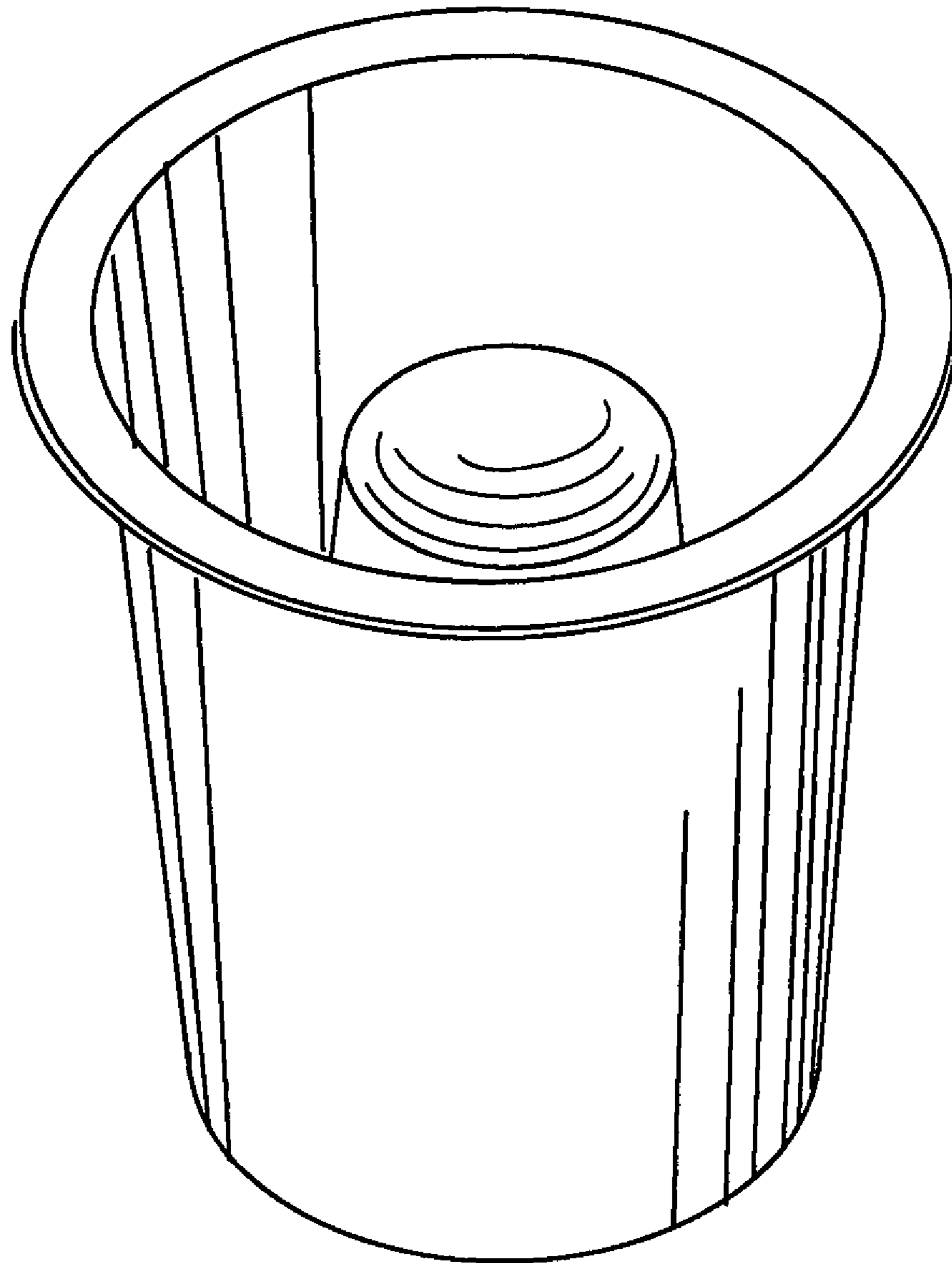


Figure 1

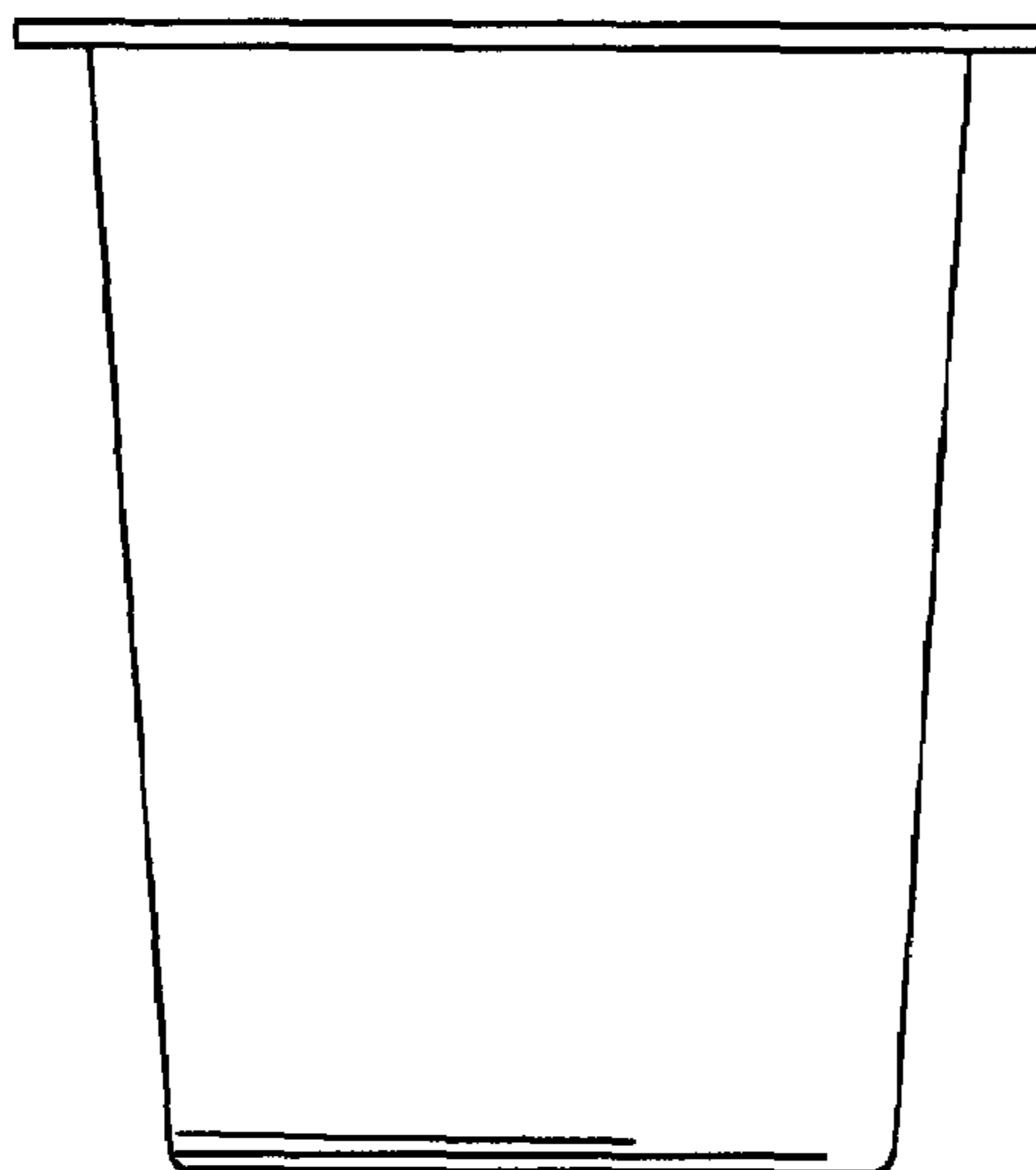


Figure 2

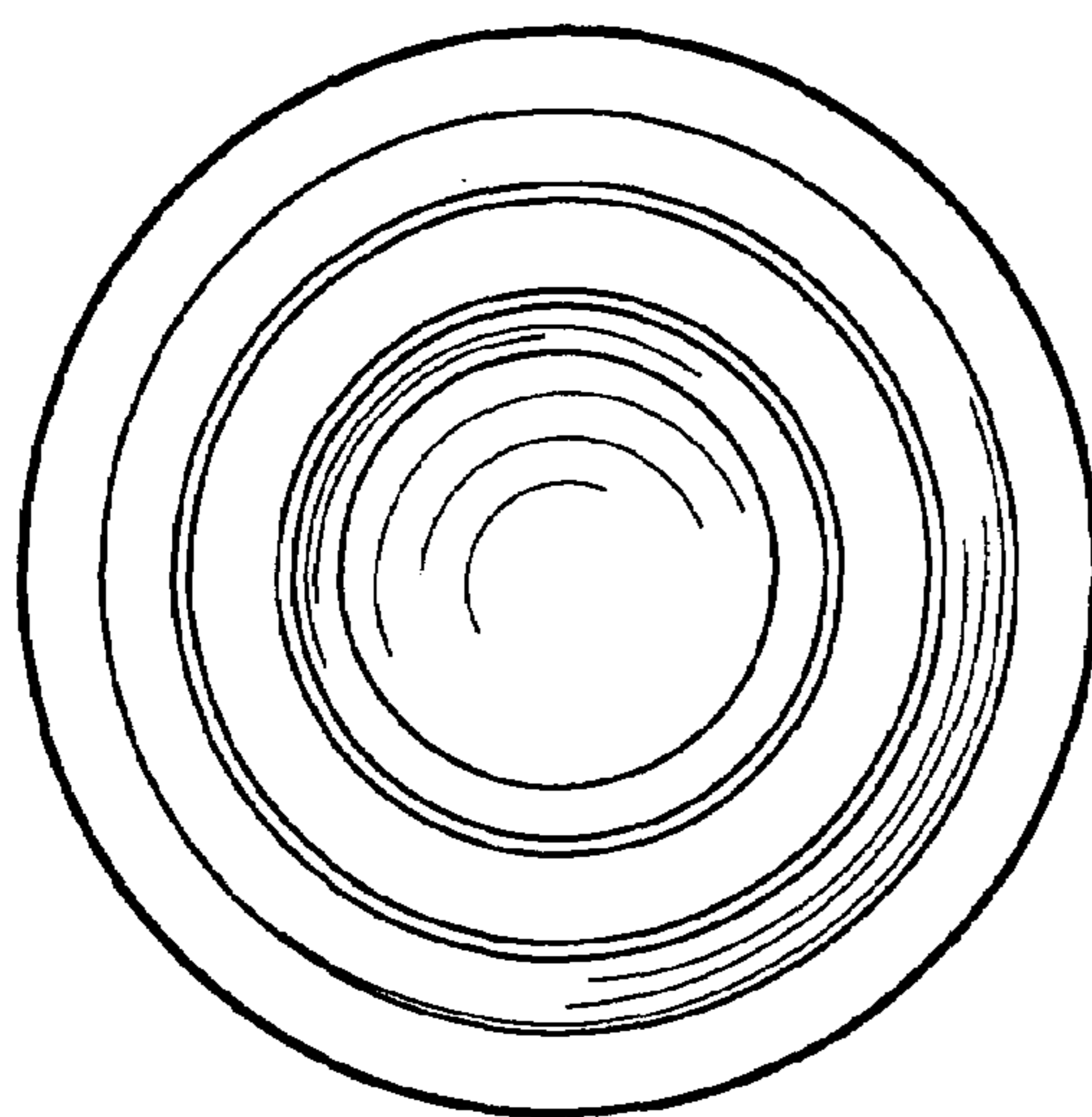


Figure 4

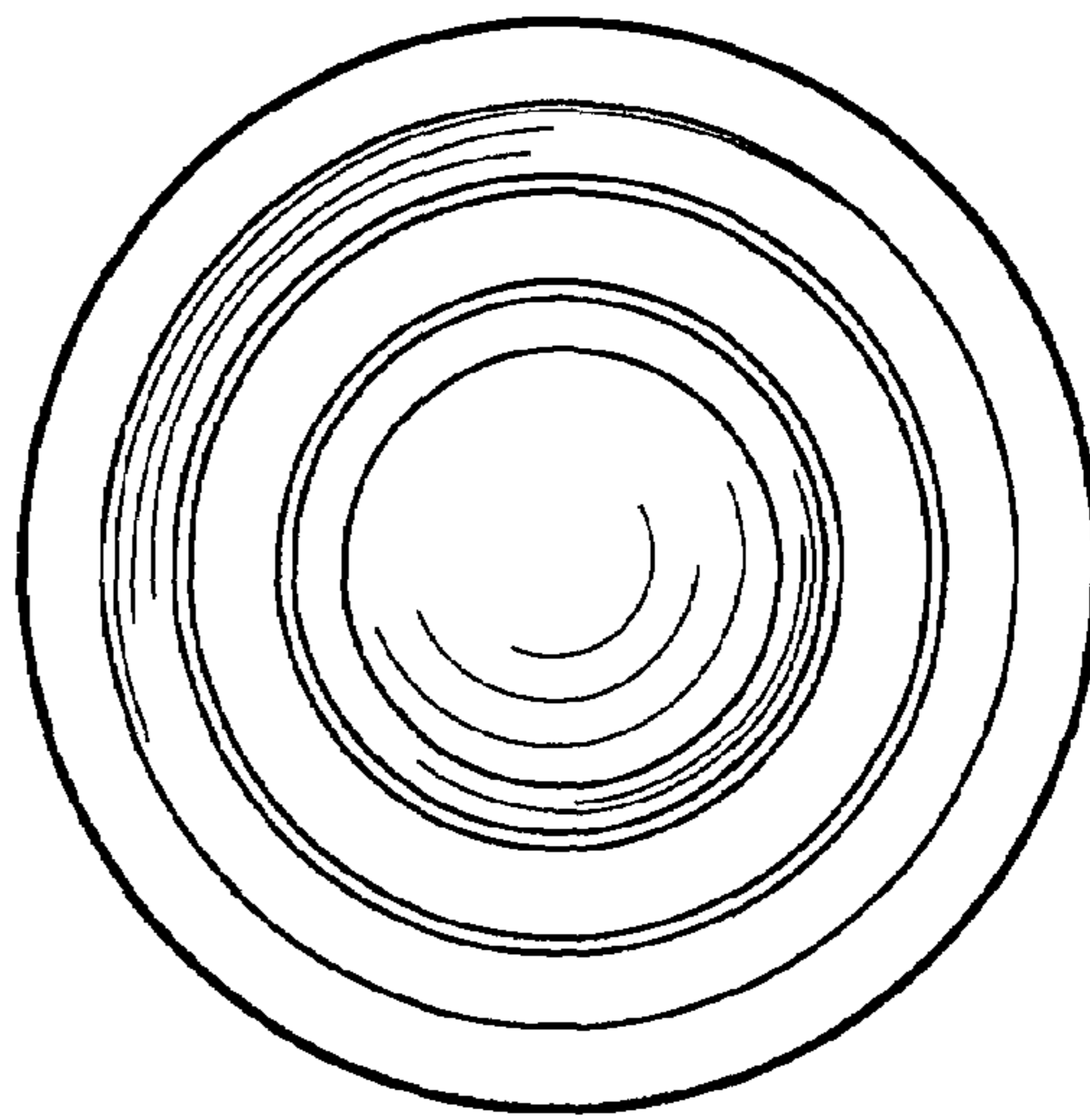


Figure 3