



US00D552419S

(12) **United States Design Patent**  
**Picozza et al.**

(10) **Patent No.:** **US D552,419 S**  
(45) **Date of Patent:** **\*\* Oct. 9, 2007**

(54) **BLENDER BASE**

(75) Inventors: **Augusto Picozza**, Boca Raton, FL  
(US); **Brooks Rorke**, Guilford, CT  
(US)

(73) Assignee: **Sunbeam Products, Inc.**, Boca Raton,  
FL (US)

(\*\*) Term: **14 Years**

(21) Appl. No.: **29/264,820**

(22) Filed: **Aug. 18, 2006**

(51) **LOC (8) Cl.** ..... **07-02**

(52) **U.S. Cl.** ..... **D7/412**

(58) **Field of Classification Search** ..... D7/300.1,  
D7/306, 313, 372-386, 412, 413, 665; D14/413;  
74/16; 99/509-511; 241/30, 33, 37.5, 101.01-101.02,  
241/166-169.1, 274-278.2, 282.1-282.2,  
241/285.1-285.3, 291, 292.1, 301; 366/64-67,  
366/98, 100, 129, 191, 197-201, 205-207,  
366/219-221, 241-254, 279-292, 325.94,  
366/330.4, 341-343

See application file for complete search history.

(56) **References Cited**

U.S. PATENT DOCUMENTS

D337,240 S \* 7/1993 Levin ..... D7/386  
D339,715 S \* 9/1993 Barrault ..... D7/378  
D341,749 S \* 11/1993 Correa ..... D7/386  
D343,547 S \* 1/1994 Levin ..... D7/386

D376,951 S \* 12/1996 Rorke ..... D7/386  
D380,121 S \* 6/1997 Davidson et al. .... D7/386  
D385,149 S \* 10/1997 Feil ..... D7/378  
D389,696 S \* 1/1998 Feil ..... D7/386  
D404,606 S \* 1/1999 Huang ..... D7/378  
D475,238 S \* 6/2003 Feil ..... D7/376  
D493,329 S \* 7/2004 Feil ..... D7/378  
D498,972 S \* 11/2004 Feil ..... D7/386  
D499,602 S \* 12/2004 Feil ..... D7/378

\* cited by examiner

*Primary Examiner*—Cathron C. Brooks

*Assistant Examiner*—Ricky Pham

(74) *Attorney, Agent, or Firm*—Lawrence J. Shurupoff

(57) **CLAIM**

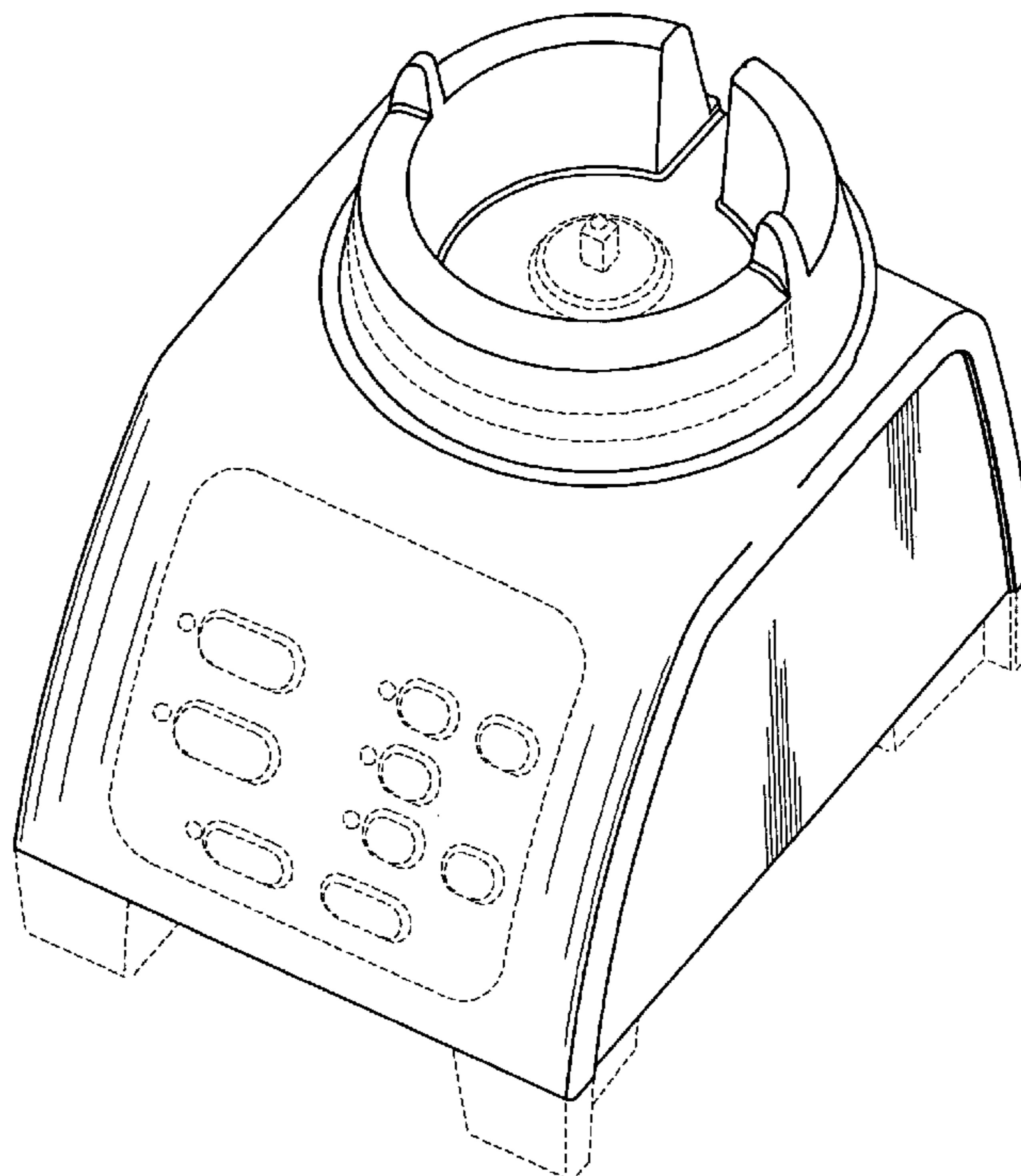
The ornamental design for a blender base, as shown and described.

**DESCRIPTION**

FIG. 1 is a top right front perspective view of a blender base.  
FIG. 2 is a left side elevation view thereof;  
FIG. 3 is a front view thereof;  
FIG. 4 is a right side elevation view thereof;  
FIG. 5 is a rear view thereof; and,  
FIG. 6 is a top plan view thereof.

The broken lines shown in FIGS. 1-6 are for illustrative purposes only and form no part of the claimed design.

**1 Claim, 6 Drawing Sheets**



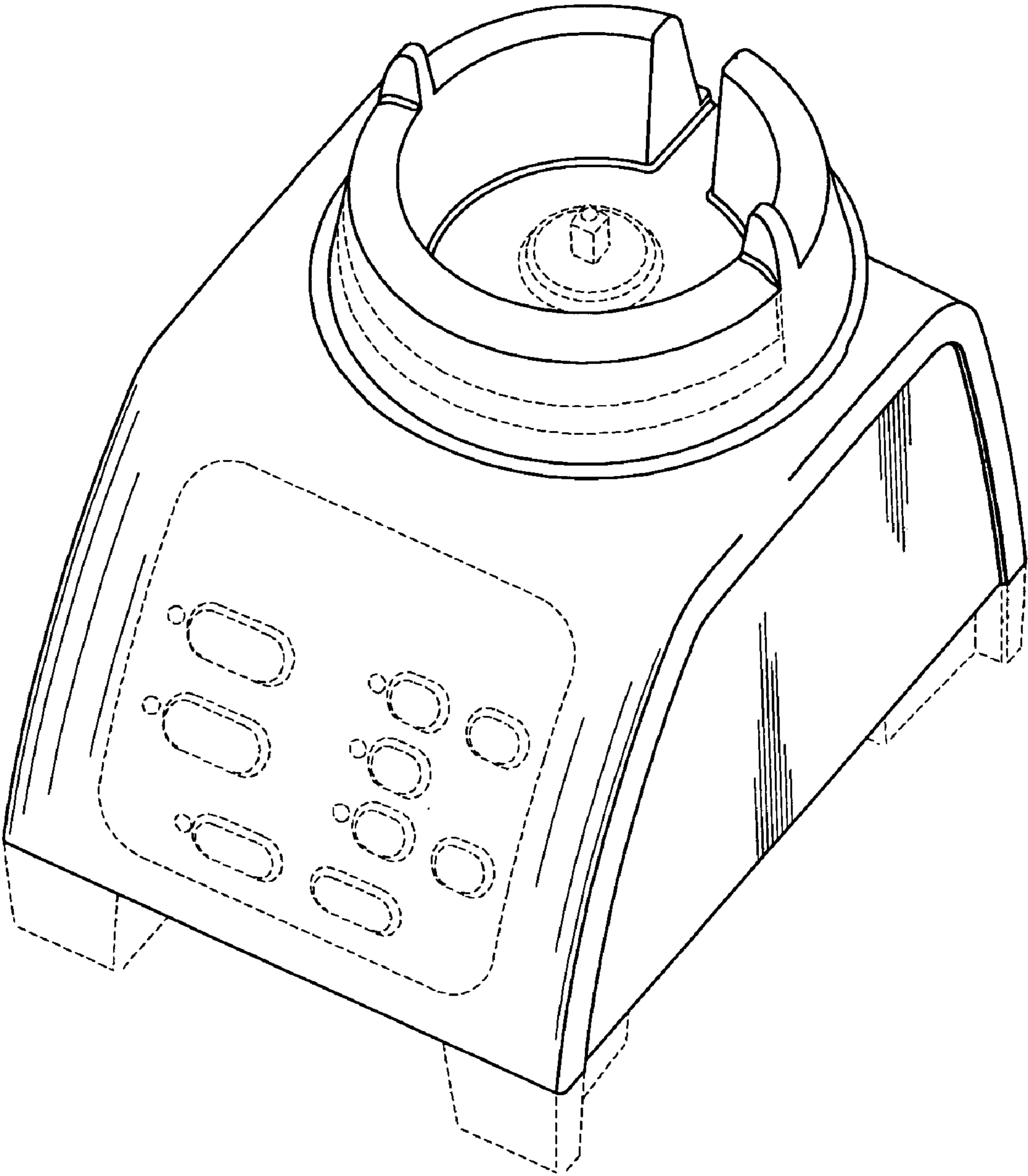


FIG 1

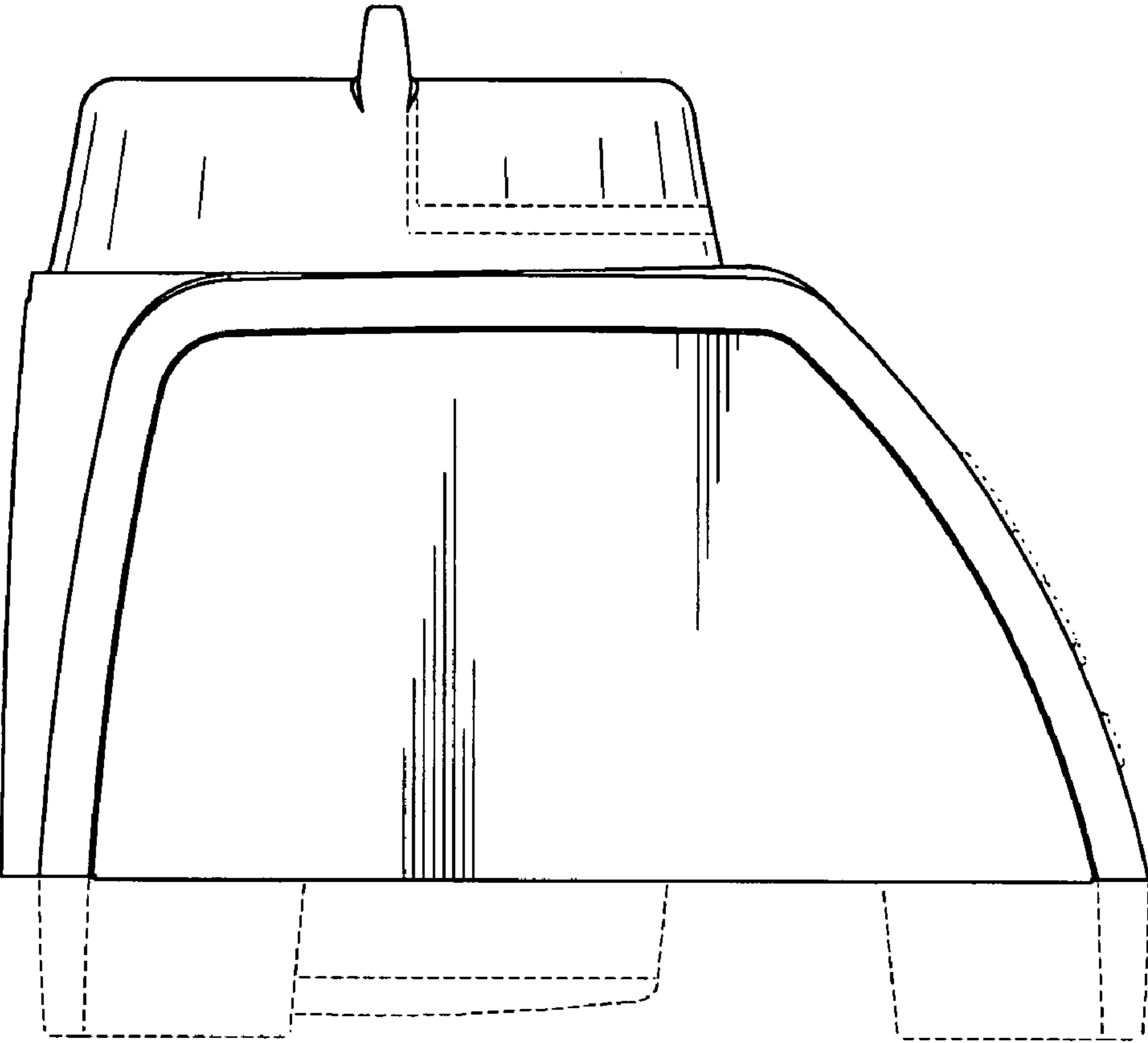


FIG 2

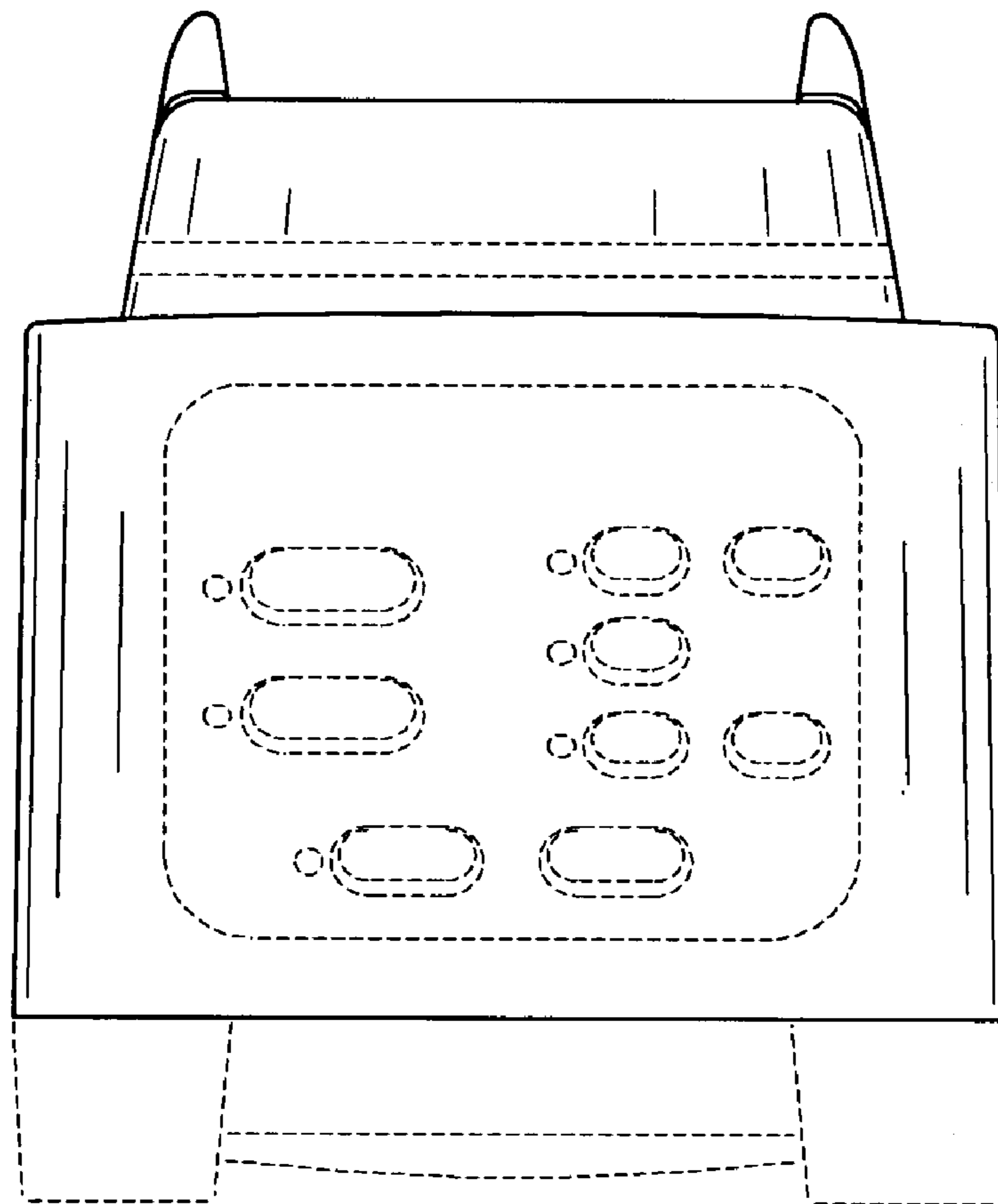


FIG 3

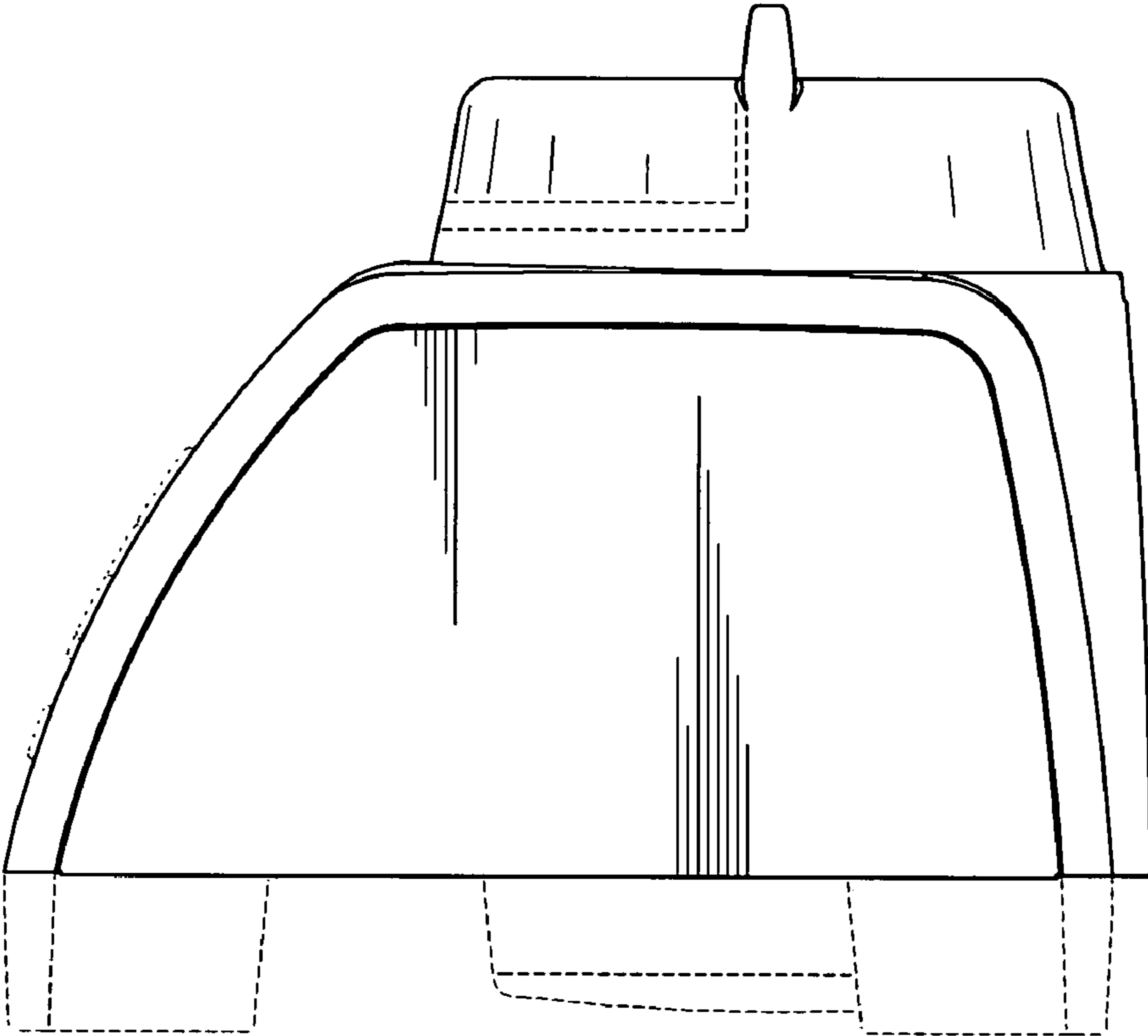


FIG 4

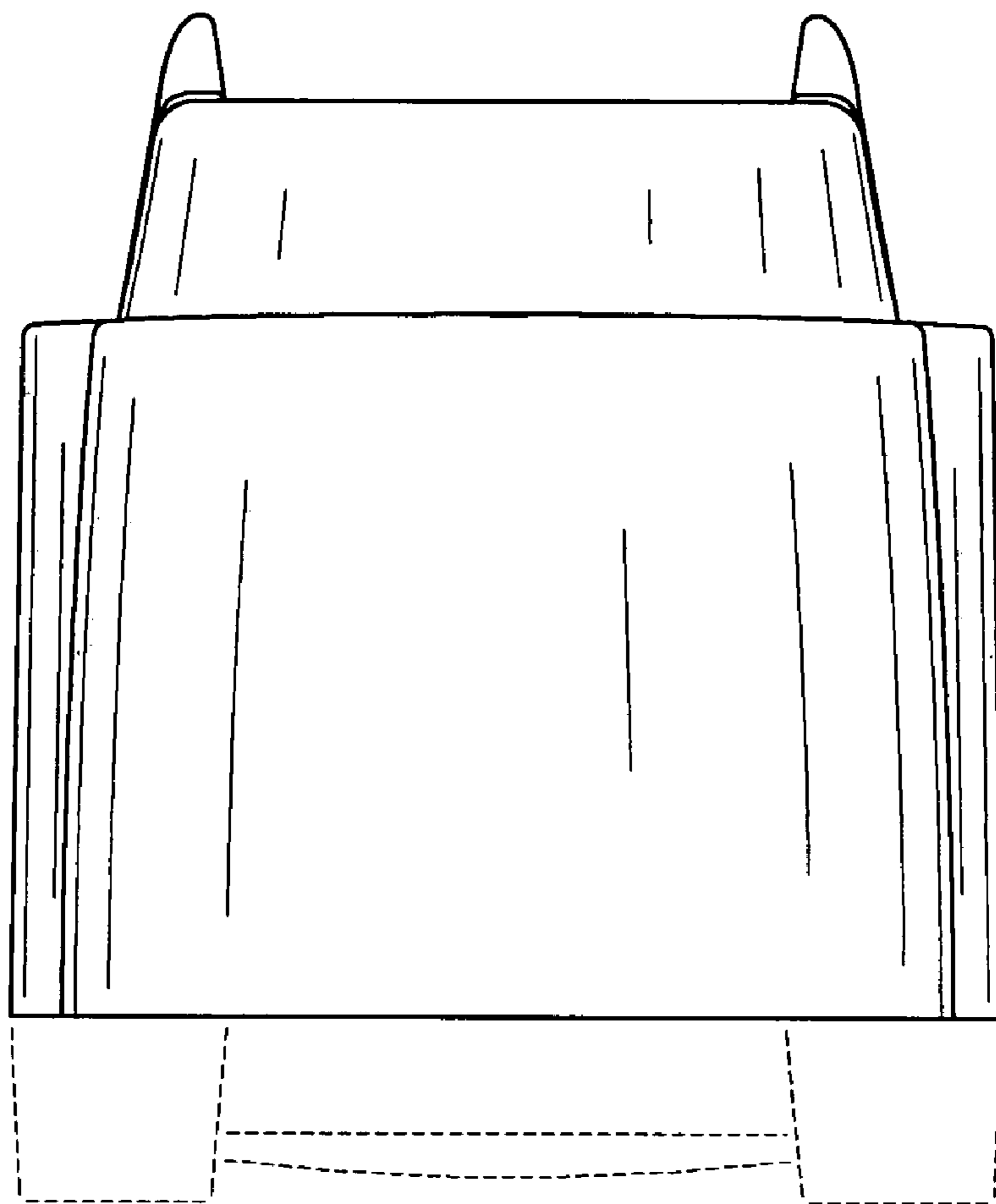


FIG 5

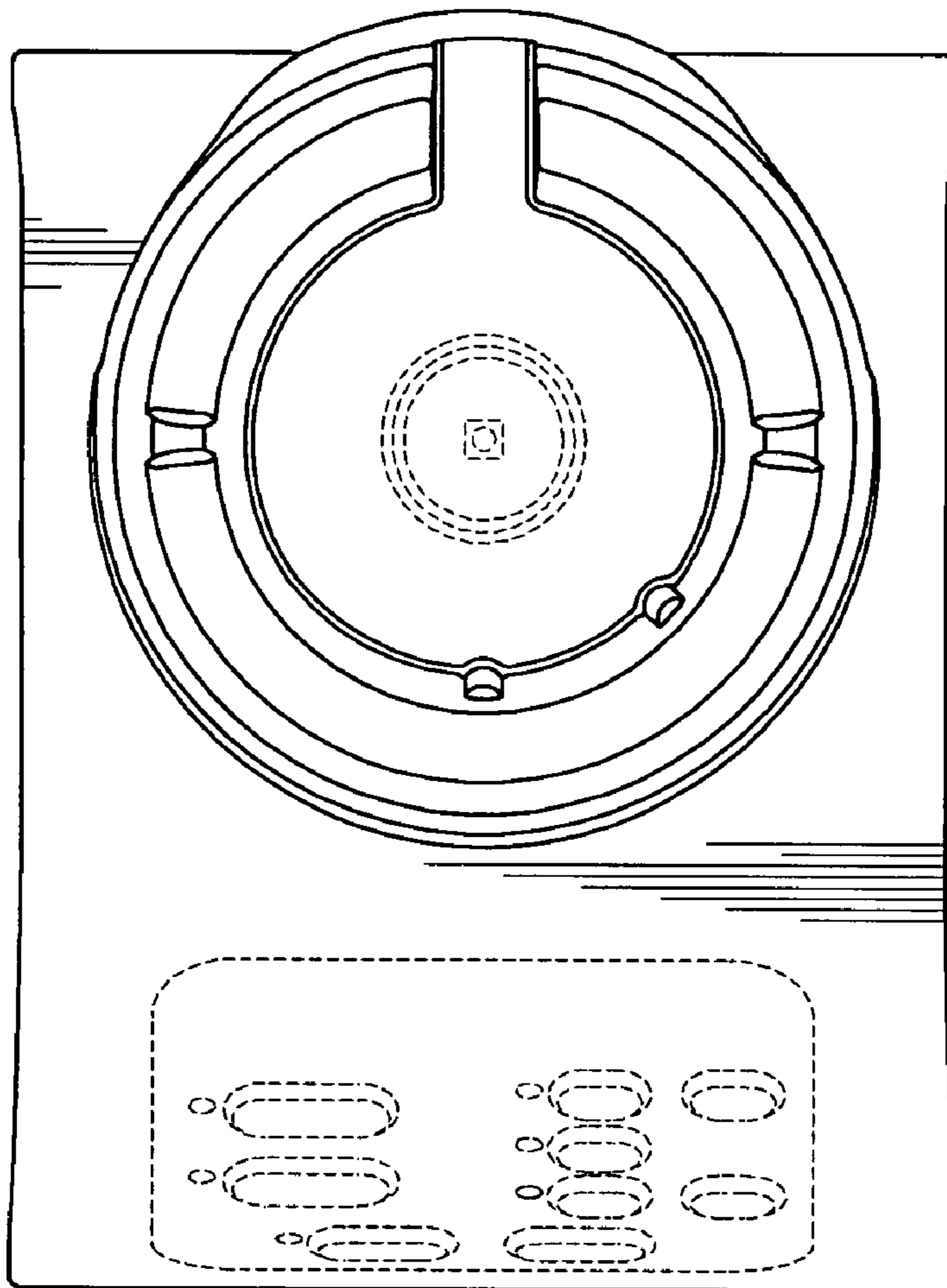


FIG 6