



US00D552418S

(12) **United States Design Patent** (10) **Patent No.:** **US D552,418 S**
Ranzoni (45) **Date of Patent:** **** Oct. 9, 2007**

(54) **VALVE FOR COFFEE MAKER**
(75) Inventor: **Francesco Ranzoni**, Coccaglio (IT)
(73) Assignee: **Bialetti Industrie S.p.A.**, Coccaglio (Brescia) (IT)

D399,384 S * 10/1998 Ranzoni D7/318
5,970,850 A * 10/1999 Piazza 99/303
6,357,838 B1 * 3/2002 Chi 303/116.2
6,823,771 B2 * 11/2004 Piazza 99/303
7,007,591 B2 * 3/2006 Hsu 99/293
7,108,012 B2 * 9/2006 Rosko et al. 137/625.4

(**) Term: **14 Years**
(21) Appl. No.: **29/225,970**
(22) Filed: **Mar. 23, 2005**

OTHER PUBLICATIONS

Part # 50923, Anti-depression Valve, Retrieved from the Internet, <URL: <http://www.cafeparts.com>>.*
Aluminum Macchinetta Overpressure Plug, Retrieved from the Internet, <URL: <http://www.fantes.com>>.*
Bialetti Mukka Express Pressure Valve, Retrieved from the Internet, <URL: <http://www.LaPrima.com>>.*
Coffe percolator moka. jpg (sic), Retrieved from the Internet, <URL: http://commons.wikipedia.org/wiki/Image:Coffe_percolator_moka.jpg>.*

(30) **Foreign Application Priority Data**
Sep. 24, 2004 (EM) 000230941
Sep. 24, 2004 (IT) MI2004000205 U

* cited by examiner

(51) **LOC (8) Cl.** **07-99**
(52) **U.S. Cl.** **D7/398; D7/387; D7/399**
(58) **Field of Classification Search** D7/310, D7/397, 398, 313, 387, 392, 317, 322, 400; 137/506.13, 505.13, 102; 210/130, 345, 210/478; 99/366, 303; 403/31; D9/433; 229/8, 116.4; 426/433
See application file for complete search history.

Primary Examiner—M. N. Pandozzi
Assistant Examiner—Cynthia Underwood
(74) *Attorney, Agent, or Firm*—Hogan & Hartson LLP

(57) **CLAIM**

The ornamental design for a valve of a coffee maker, as shown and described.

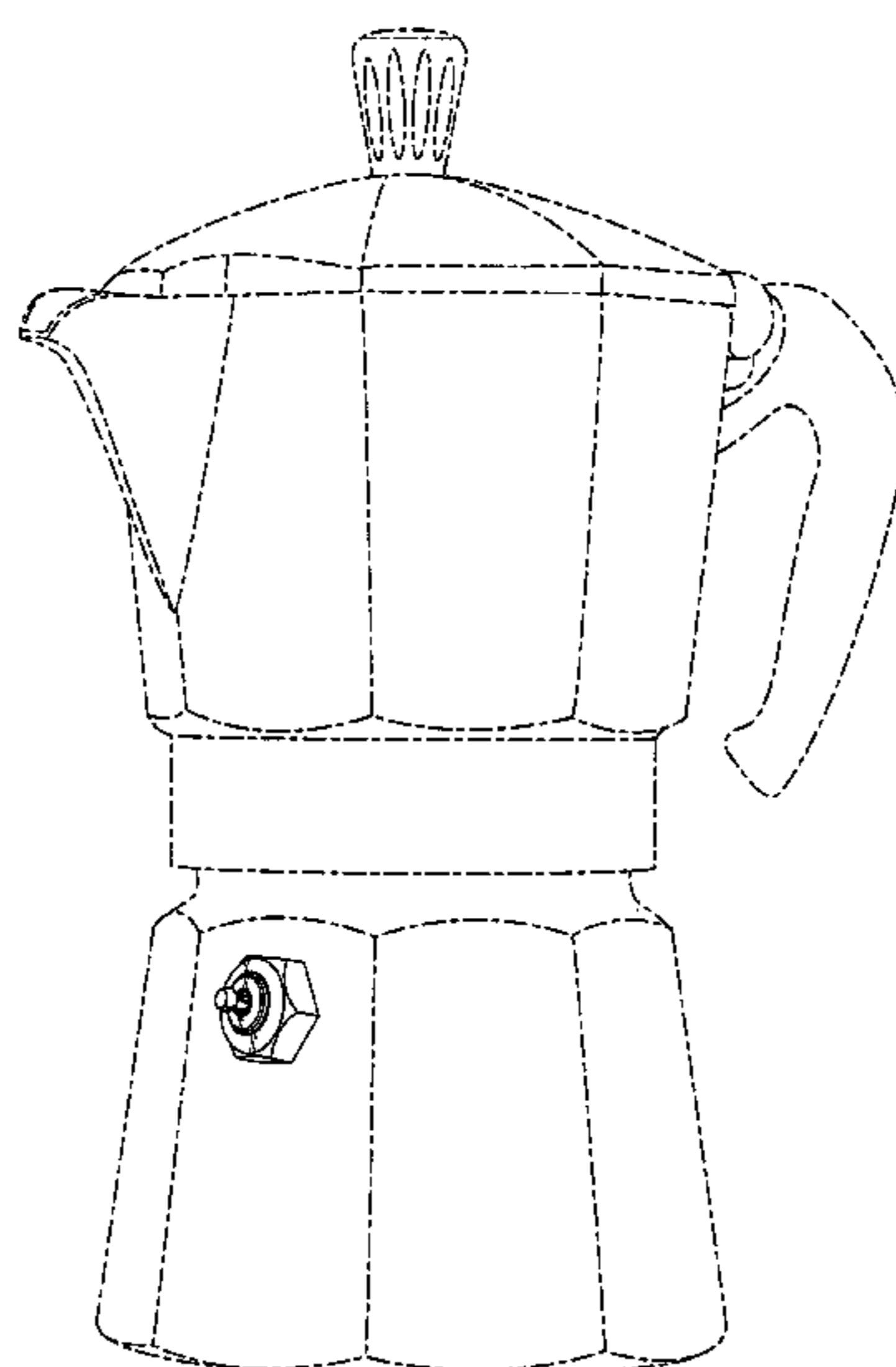
(56) **References Cited**
U.S. PATENT DOCUMENTS

DESCRIPTION

501,437 A * 7/1893 Pierce 137/513.3
532,482 A * 1/1895 Ancona 122/1 R
1,238,051 A * 8/1917 Peterson 62/217
2,190,965 A * 2/1940 Wood 210/478
D154,935 S * 8/1949 Lilja D7/400
2,618,389 A * 11/1952 Vezie 210/130
3,077,156 A * 2/1963 Egi et al. 99/285
3,633,613 A * 1/1972 Julow 137/512.3
3,719,401 A * 3/1973 Perugia 303/119.2
4,000,846 A * 1/1977 Gilbert 383/103
4,476,888 A * 10/1984 Lachmann et al. 137/102
D308,459 S * 6/1990 Balzano D7/317
5,586,484 A * 12/1996 Piazza 99/287
5,755,259 A * 5/1998 Schulze et al. 137/460

FIG. 1 is an environmental perspective view of a valve for a coffee maker;
FIG. 2 is a perspective view of the valve for a coffee maker;
FIG. 3 is a side view of the valve for a coffee maker;
FIG. 4 is a top view of the valve for a coffee maker;
FIG. 5 is a side view of the valve for a coffee maker; and,
FIG. 6 is a bottom view of the valve for a coffee maker.
The broken line showing the coffee maker is included for the purpose of illustrating environmental structure and forms no part of the claimed design.

1 Claim, 2 Drawing Sheets



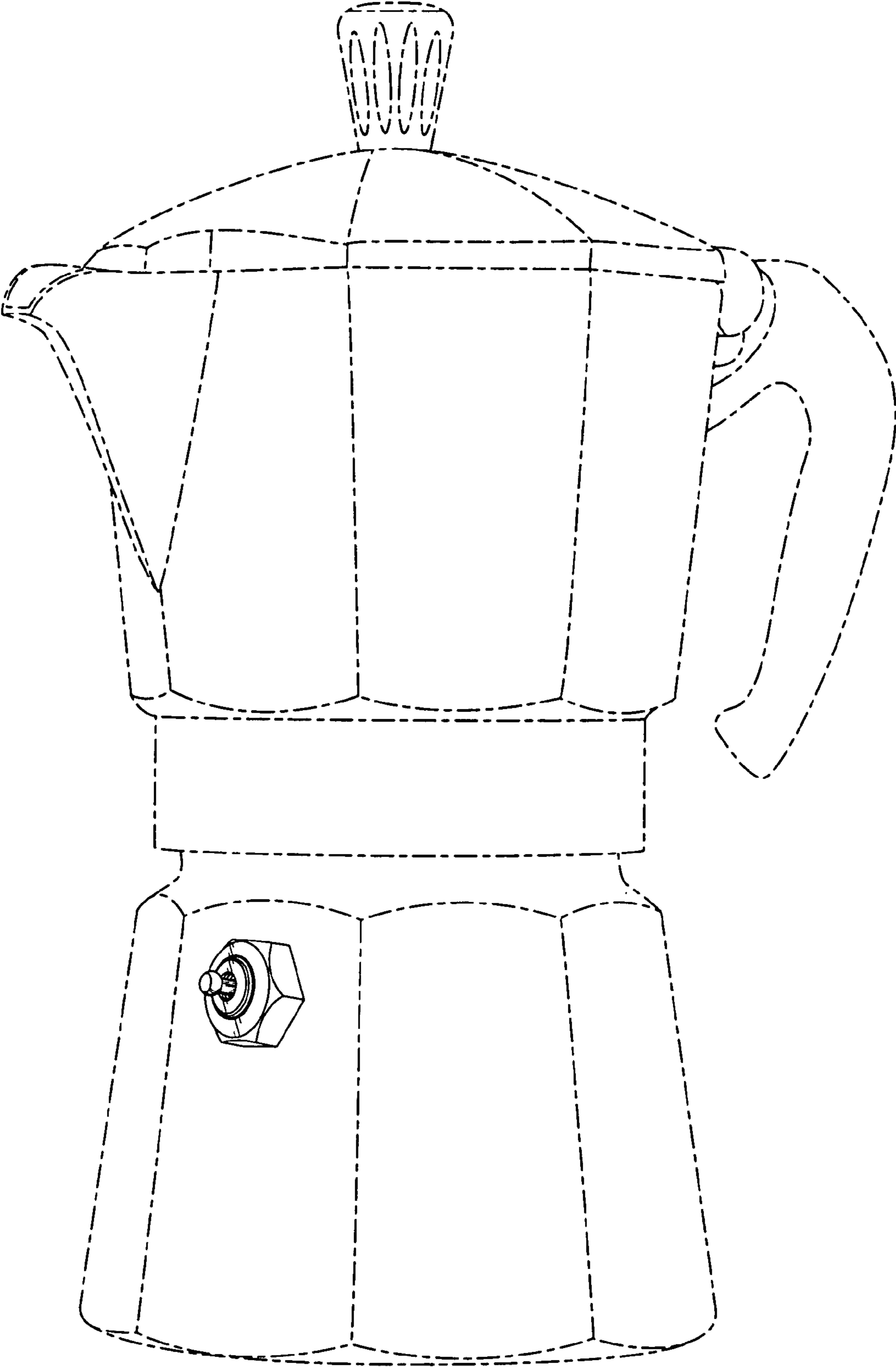


FIG. 1

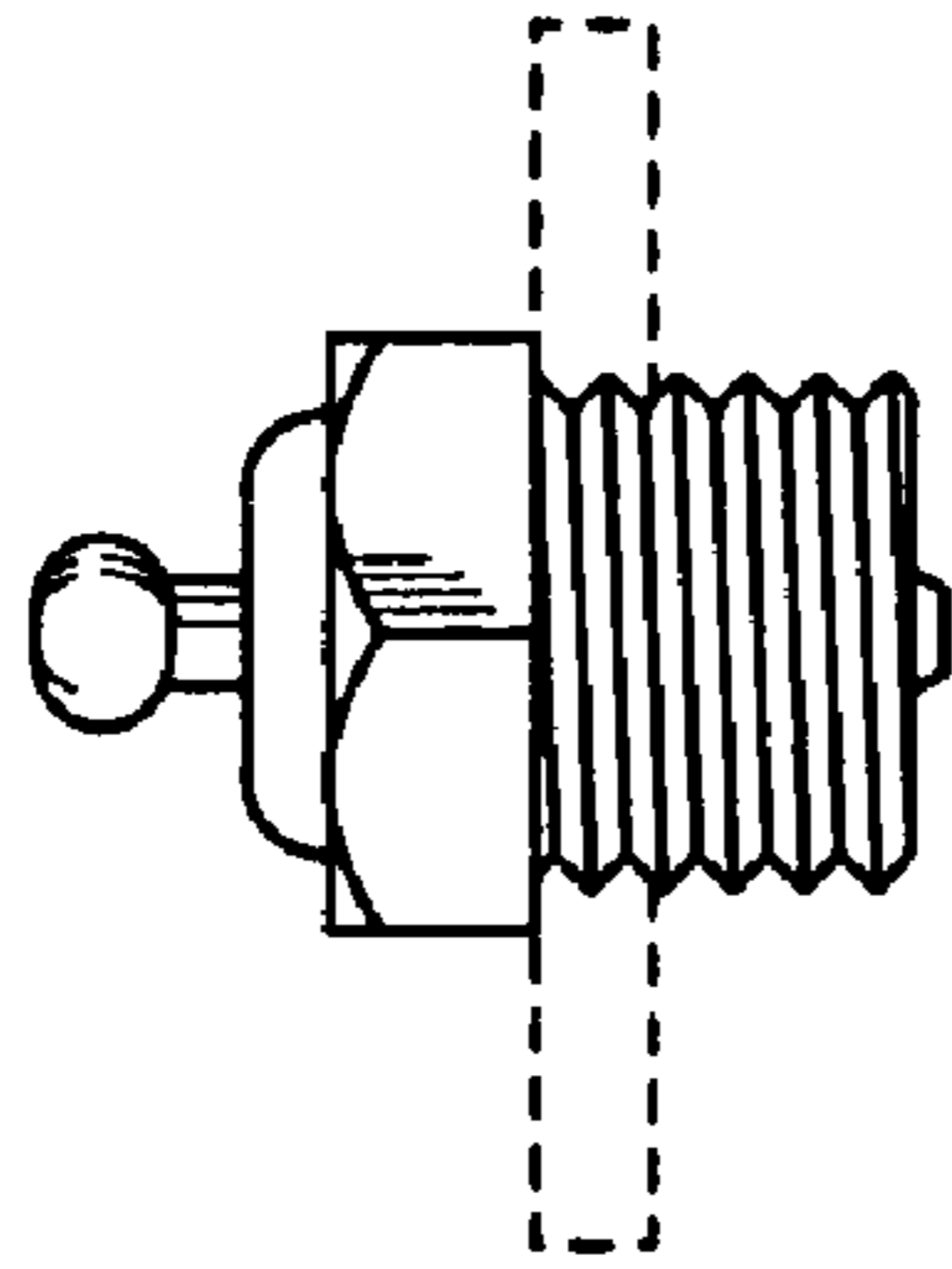


FIG. 5

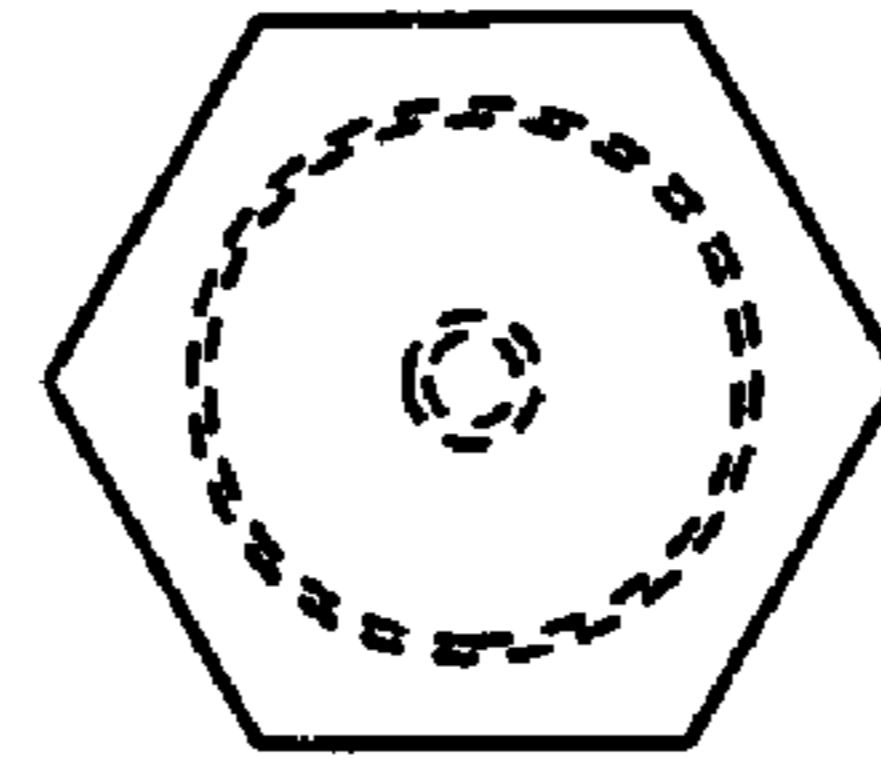


FIG. 6

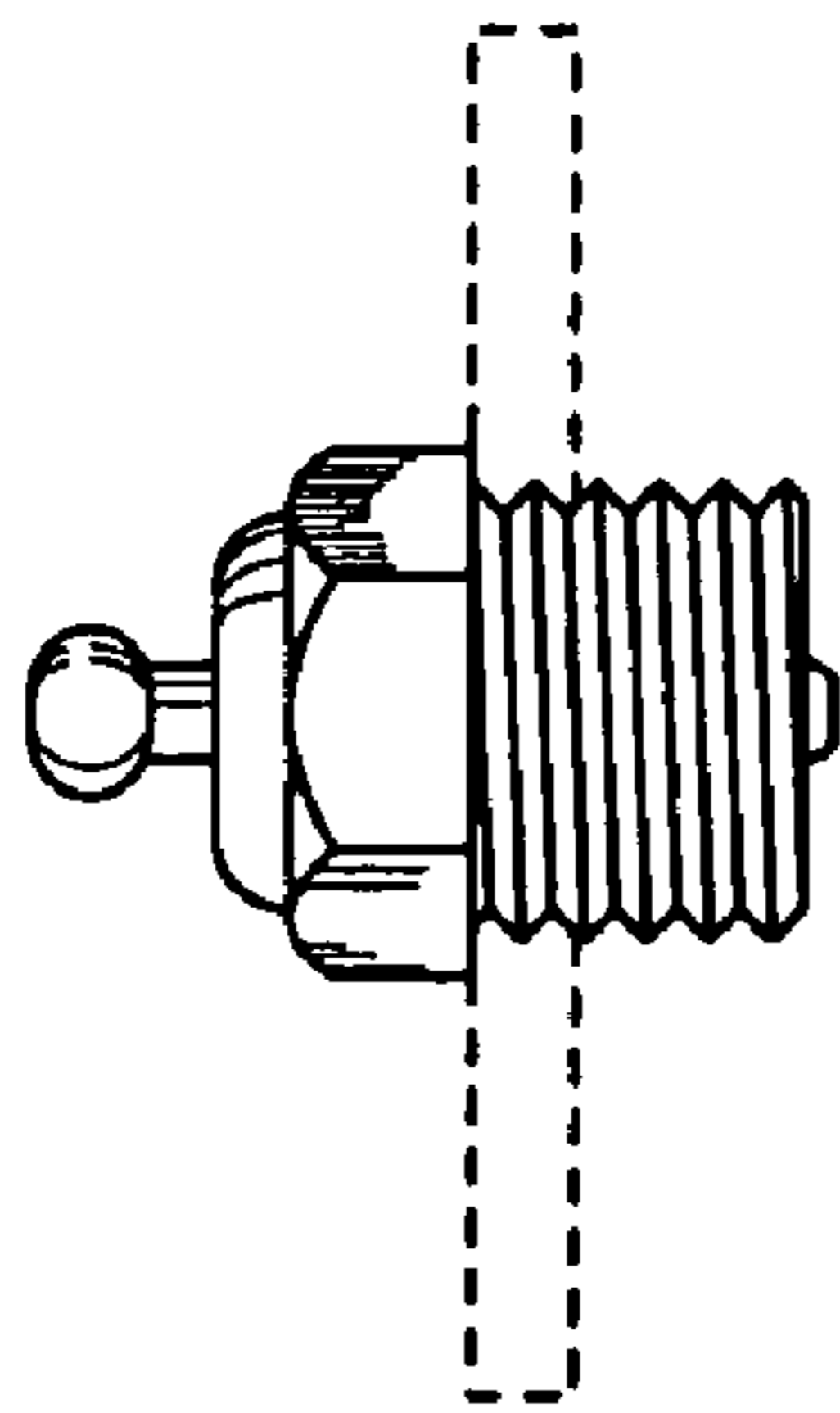


FIG. 3

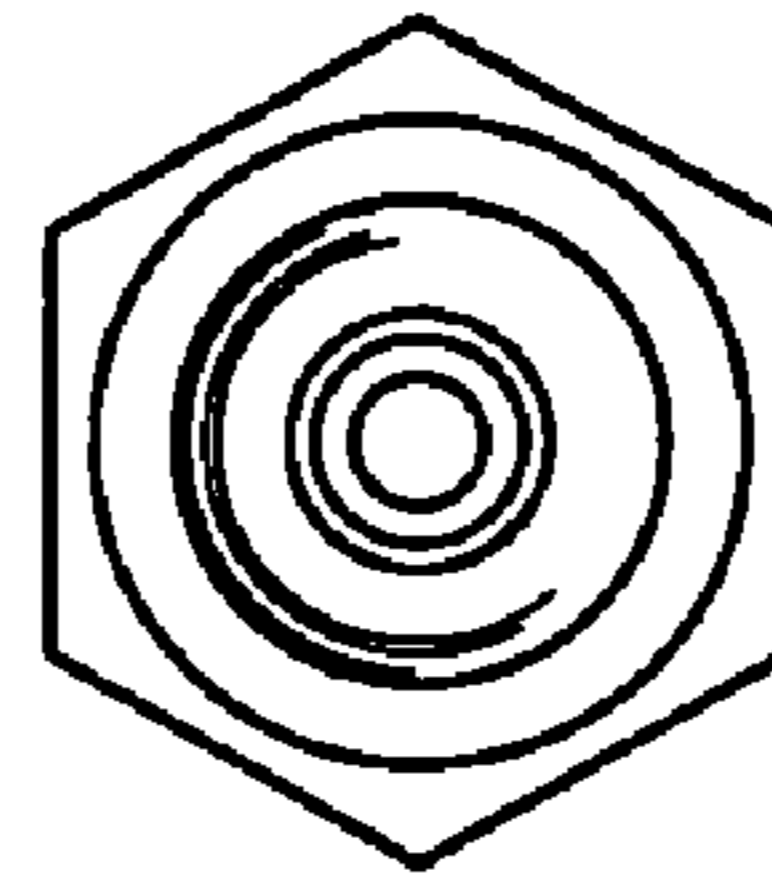


FIG. 4

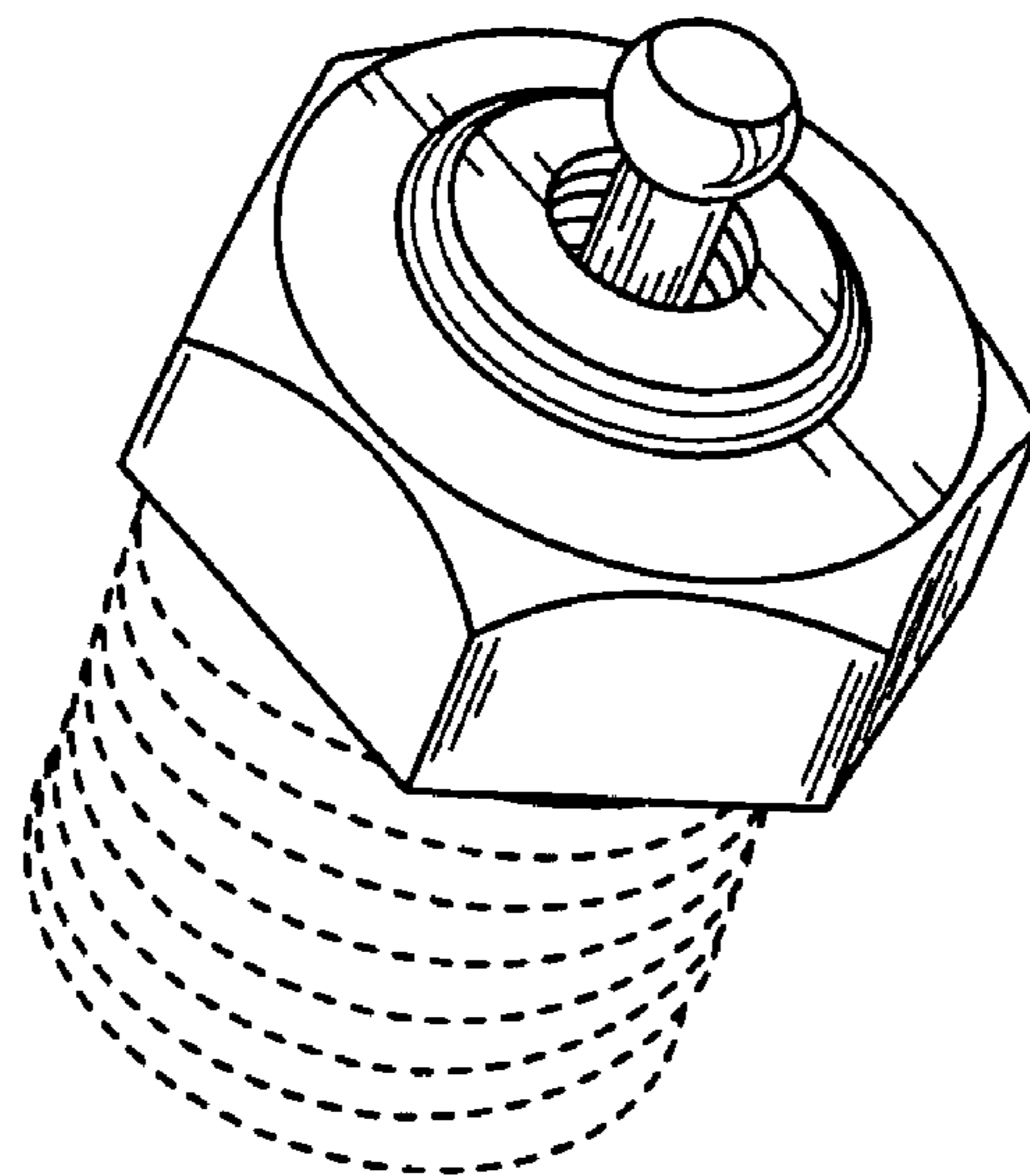


FIG. 2