



US00D552413S

(12) **United States Design Patent**
Laib et al.

(10) **Patent No.:** **US D552,413 S**

(45) **Date of Patent:** **** Oct. 9, 2007**

- (54) **COVER FOR A CONTAINER**
- (75) Inventors: **Douglas M. Laib**, Orlando, FL (US);
John-Michael R. Ekeblad, Orlando, FL (US)
- (73) Assignee: **Dart Industries Inc.**, Orlando, FL (US)
- (**) Term: **14 Years**
- (21) Appl. No.: **29/204,506**
- (22) Filed: **Apr. 29, 2004**

| | | |
|---------------|---------|----------------------------------|
| 5,697,707 A | 12/1997 | Esposito |
| 5,762,228 A * | 6/1998 | Morgan et al. 220/367.1 |
| D397,552 S | 9/1998 | Rutledge D3/302 |
| D398,485 S | 9/1998 | Landauer et al. D7/629 |
| D405,576 S | 2/1999 | Rausch D34/1 |
| D413,231 S | 8/1999 | Loew et al. D7/612 |
| 5,944,211 A | 8/1999 | Woodnorth et al. 220/203.13 |
| D418,021 S | 12/1999 | Terracciano et al. D7/605 |
| D422,457 S | 4/2000 | Daenen et al. D7/615 |
| D423,294 S | 4/2000 | Klein et al. D7/605 |
| D437,984 S | 2/2001 | Weiss et al. D34/1 |
| D445,568 S | 7/2001 | Lippisch D3/273 |

(Continued)

Related U.S. Application Data

- (63) Continuation-in-part of application No. 29/186,643, filed on Jul. 18, 2003, now abandoned.
- (51) **LOC (8) Cl.** **07-02**
- (52) **U.S. Cl.** **D7/392.1**
- (58) **Field of Classification Search** D7/317-319, D7/391-392.1, 396.2, 510-511, 629; D9/435, D9/440, 444, 447, 449-450, 454, 503-504; 215/211, 200, 224, 243; 220/700, 701, 703, 220/711, 713-715, 719
See application file for complete search history.

FOREIGN PATENT DOCUMENTS

| | | |
|----|----------|--------|
| JP | D1153951 | 8/2002 |
| JP | D1153952 | 8/2002 |
| JP | D1153953 | 8/2002 |
| JP | D1153954 | 8/2002 |

OTHER PUBLICATIONS

Tupperware Collection Catalog, Sep. 2002, Pages 36 and 37 showing above listed Japanese Design Registrations 1153951; 1153952; 1153953; 1153954.

Primary Examiner—Holly H. Baynham
Assistant Examiner—Cynthia M. Chin
(74) *Attorney, Agent, or Firm*—John A. Doninger

(56) **References Cited**

U.S. PATENT DOCUMENTS

| | | |
|---------------|---------|----------------------|
| 4,697,703 A | 10/1987 | Will |
| 4,742,585 A | 5/1988 | Logsdon |
| D302,774 S | 8/1989 | Murphy |
| 4,989,731 A | 2/1991 | Shuert |
| 5,007,231 A | 4/1991 | Ingemann |
| D330,161 S | 10/1992 | Schuh |
| D334,499 S | 4/1993 | Meisner et al. |
| 5,363,978 A * | 11/1994 | Molo 220/254.3 |
| 5,377,858 A | 1/1995 | Morris |
| D366,397 S | 1/1996 | Zimmerman |
| D371,053 S | 6/1996 | Lillelund et al. |
| 5,535,940 A | 7/1996 | Olds |
| D372,641 S | 8/1996 | Betend-Bon |
| D373,053 S | 8/1996 | Allegre |
| D387,530 S | 12/1997 | Doxey D34/1 |

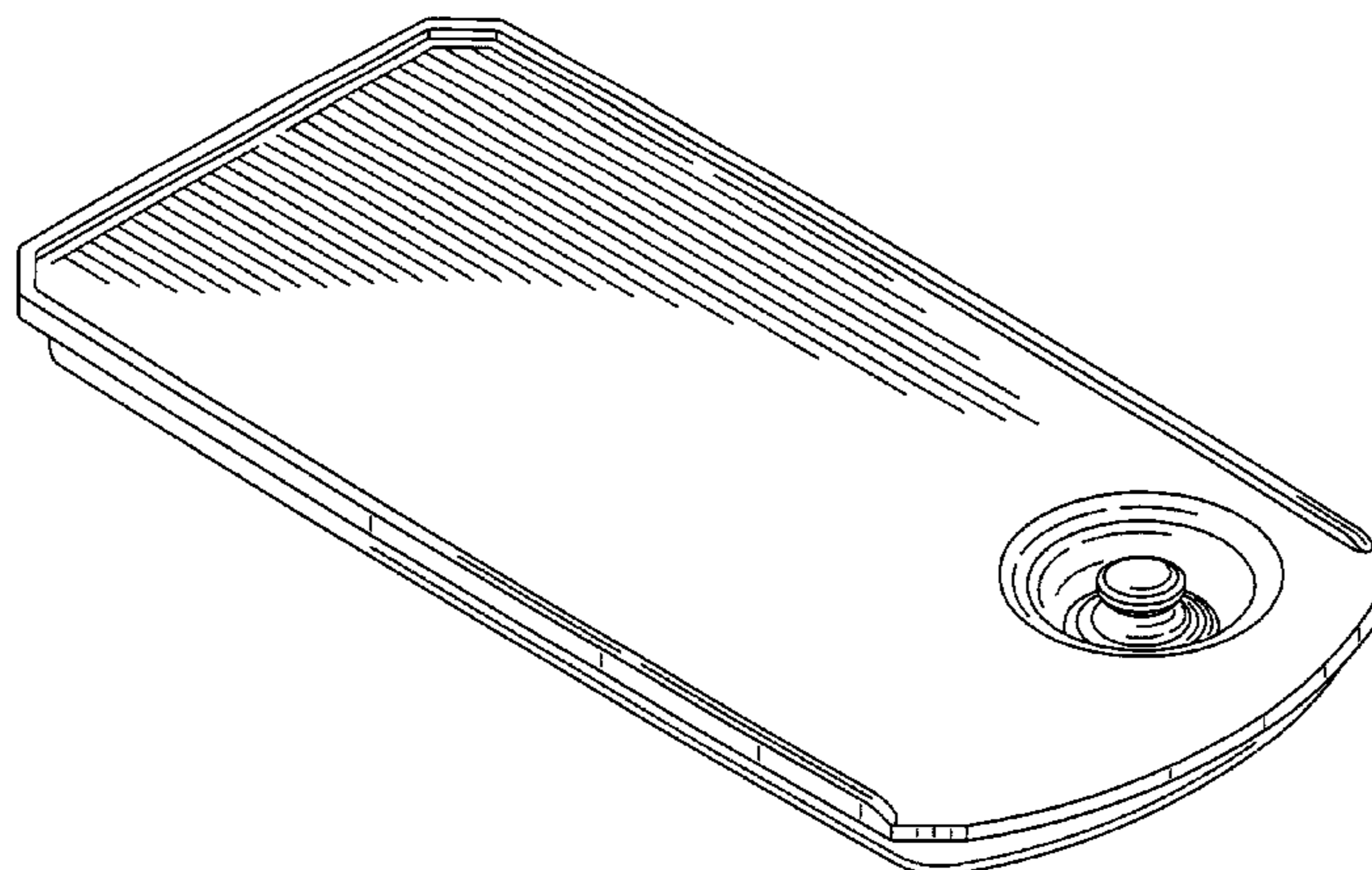
(57) **CLAIM**

The ornamental design for a cover for a container, as shown and described.

DESCRIPTION

FIG. 1 is a top, side and front perspective view of a cover for a container showing the new design;
FIG. 2 is a front elevation view thereof;
FIG. 3 is a rear elevation view thereof;
FIG. 4 is a left side elevation view thereof, the right side elevation view being a mirror image thereof;
FIG. 5 is a top plan view thereof; and,
FIG. 6 is bottom plan view thereof.

1 Claim, 2 Drawing Sheets



US D552,413 S

Page 2

U.S. PATENT DOCUMENTS

| | | | | | | | |
|--------------|---------|---------------------|---------|---------------------|--------|-----------------------|---------|
| D445,986 S | 7/2001 | Stanek et al. | D34/38 | D455,614 S | 4/2002 | Miller | D8/629 |
| D448,662 S | 10/2001 | Collins et al. | D9/425 | 6,371,363 B1 | 4/2002 | Franklin et al. | 229/109 |
| 6,311,838 B1 | 11/2001 | Johnson et al. | 206/363 | D462,877 S | 9/2002 | Lillelund et al. | D7/602 |
| 6,318,586 B1 | 11/2001 | Frankenberg | 220/826 | * cited by examiner | | | |

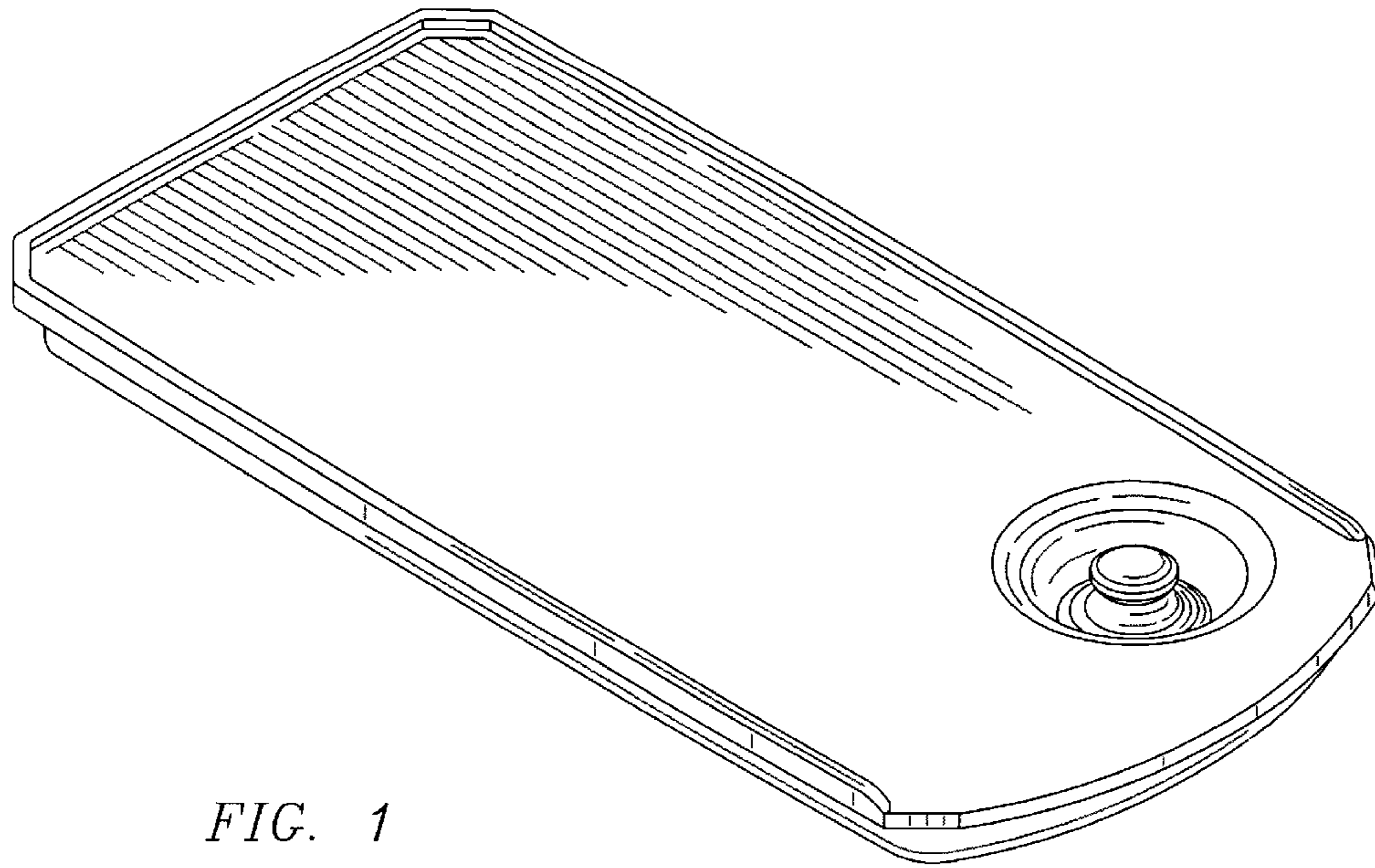


FIG. 1

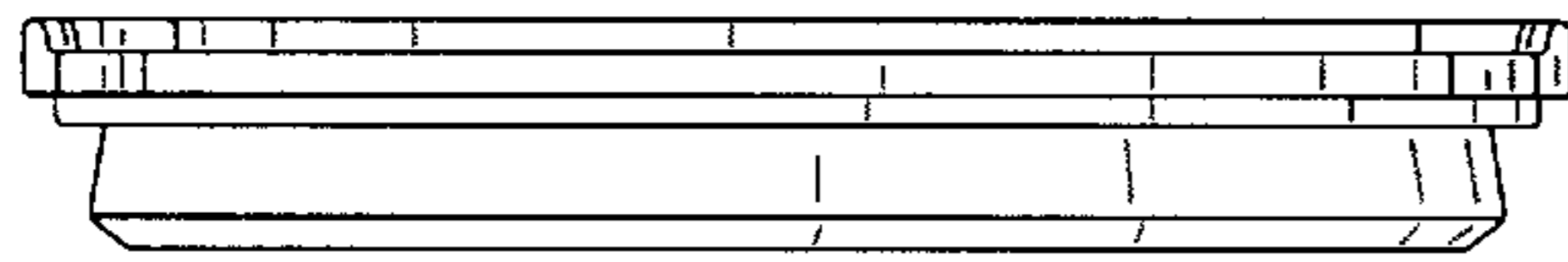


FIG. 2

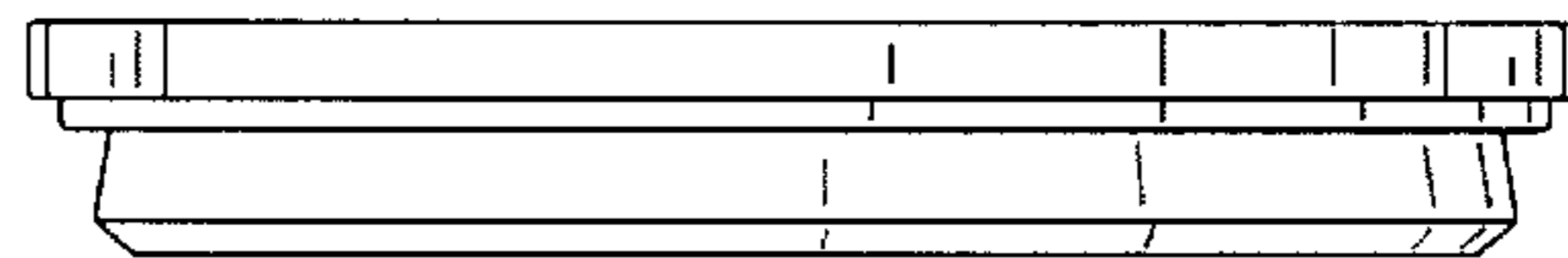


FIG. 3

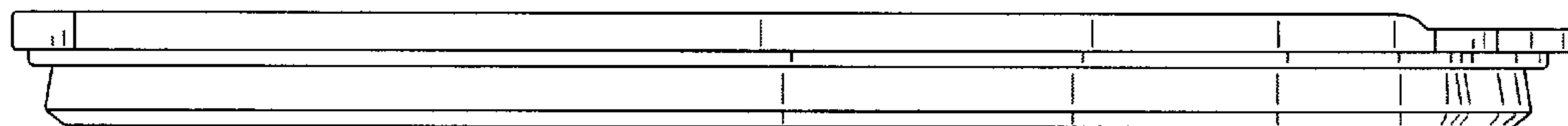


FIG. 4

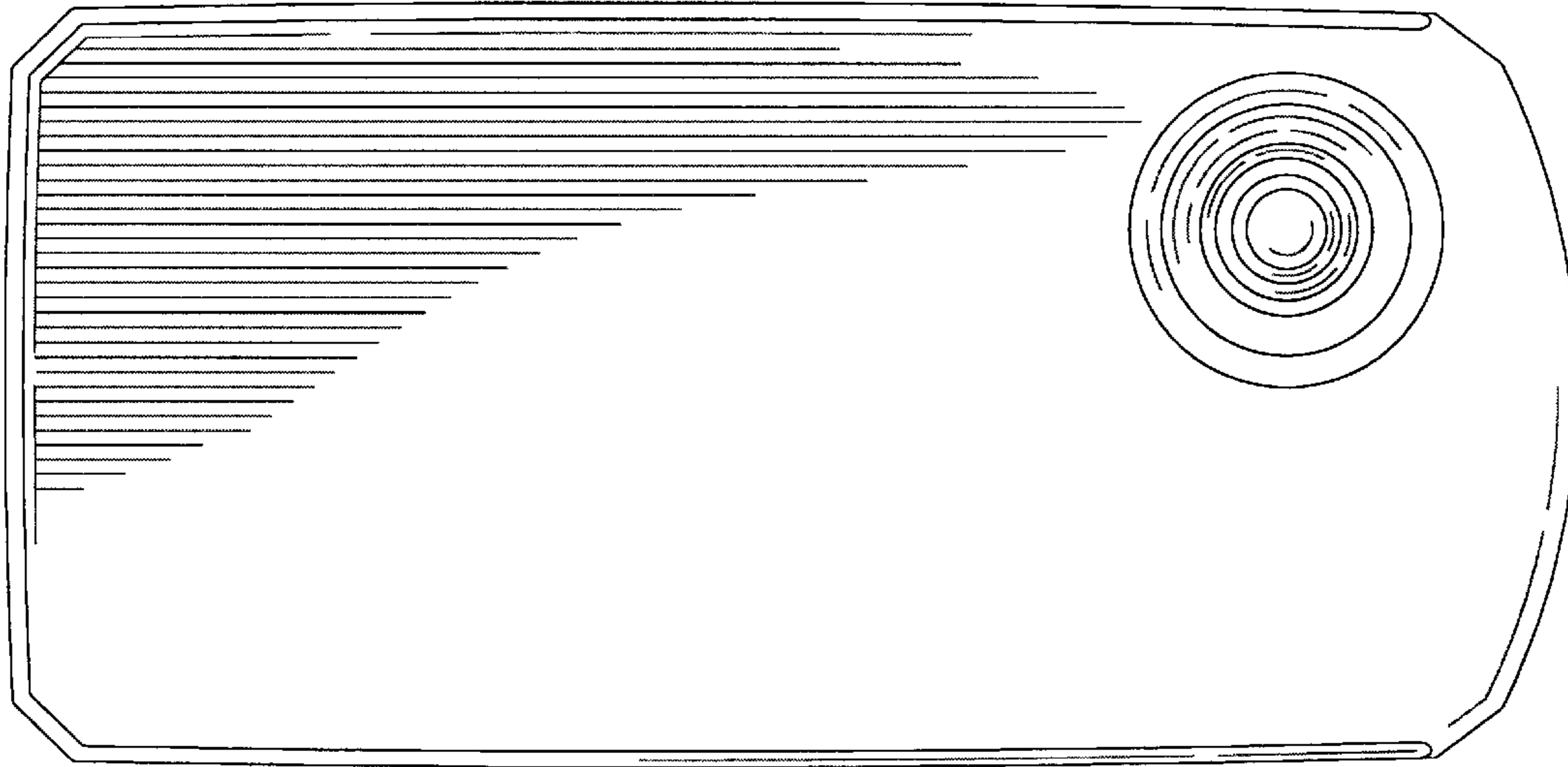


FIG. 5

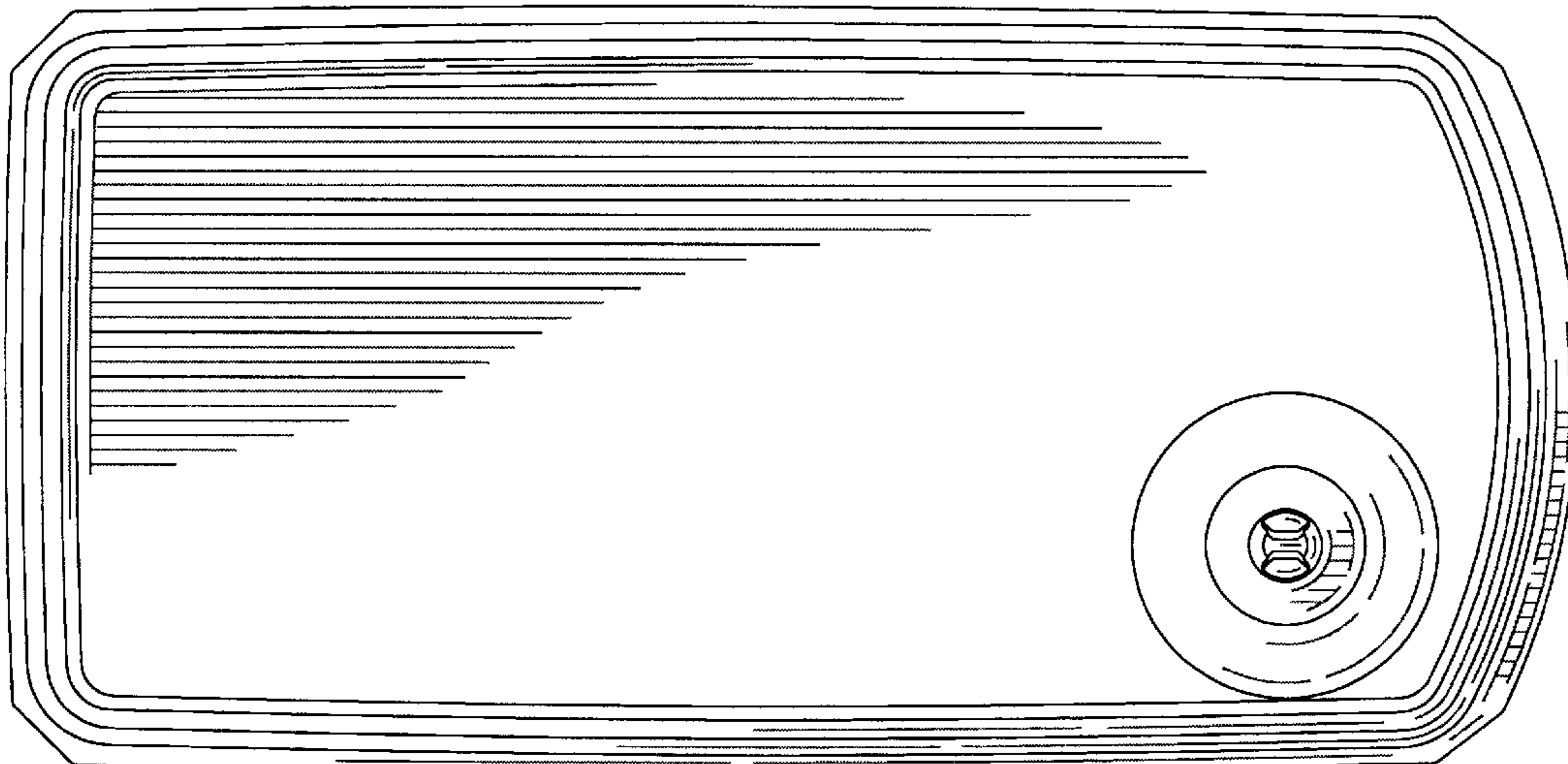


FIG. 6