



US00D552412S

(12) **United States Design Patent** (10) **Patent No.:** **US D552,412 S**
Steiner (45) **Date of Patent:** **** Oct. 9, 2007**

(54) **BLENDER**
(75) Inventor: **Mark C. Steiner**, Midlothian, VA (US)
(73) Assignee: **Hamilton Beach/Proctor-Silex, Inc.**,
Glen Allen, VA (US)
(**) Term: **14 Years**
(21) Appl. No.: **29/267,474**
(22) Filed: **Oct. 16, 2006**

D349,423 S * 8/1994 Burgel D7/378
5,344,234 A 9/1994 Caveza
D356,713 S * 3/1995 Groover D7/306
D390,416 S 2/1998 Hippen et al.
D400,757 S 11/1998 Hippen et al.
5,960,701 A 10/1999 Reese
D417,581 S 12/1999 Barthelemy
D434,596 S 12/2000 Naft et al.

(Continued)

FOREIGN PATENT DOCUMENTS

HK 0500200.9 * 1/2005

Primary Examiner—Cathron C. Brooks
Assistant Examiner—Ricky Pham
(74) *Attorney, Agent, or Firm*—Akin Gump Strauss Hauer & Feld LLP

(51) **LOC (8) Cl.** **31-00**
(52) **U.S. Cl.** **D7/378**
(58) **Field of Classification Search** D7/300.1,
D7/306, 313, 372–386, 412, 413, 665; D14/413;
74/16; 99/509–511; 241/30, 33, 37.5, 101.01–101.02,
241/166–169.1, 274–278.2, 282.1–282.2,
241/285.1–285.3, 291, 292.1, 301; 366/64–67,
366/98, 100, 129, 191, 197–201, 205–207,
366/219–221, 241–254, 279–292, 325.94,
366/330.4, 341–343

See application file for complete search history.

(57) **CLAIM**

The ornamental design for a blender, as shown and described.

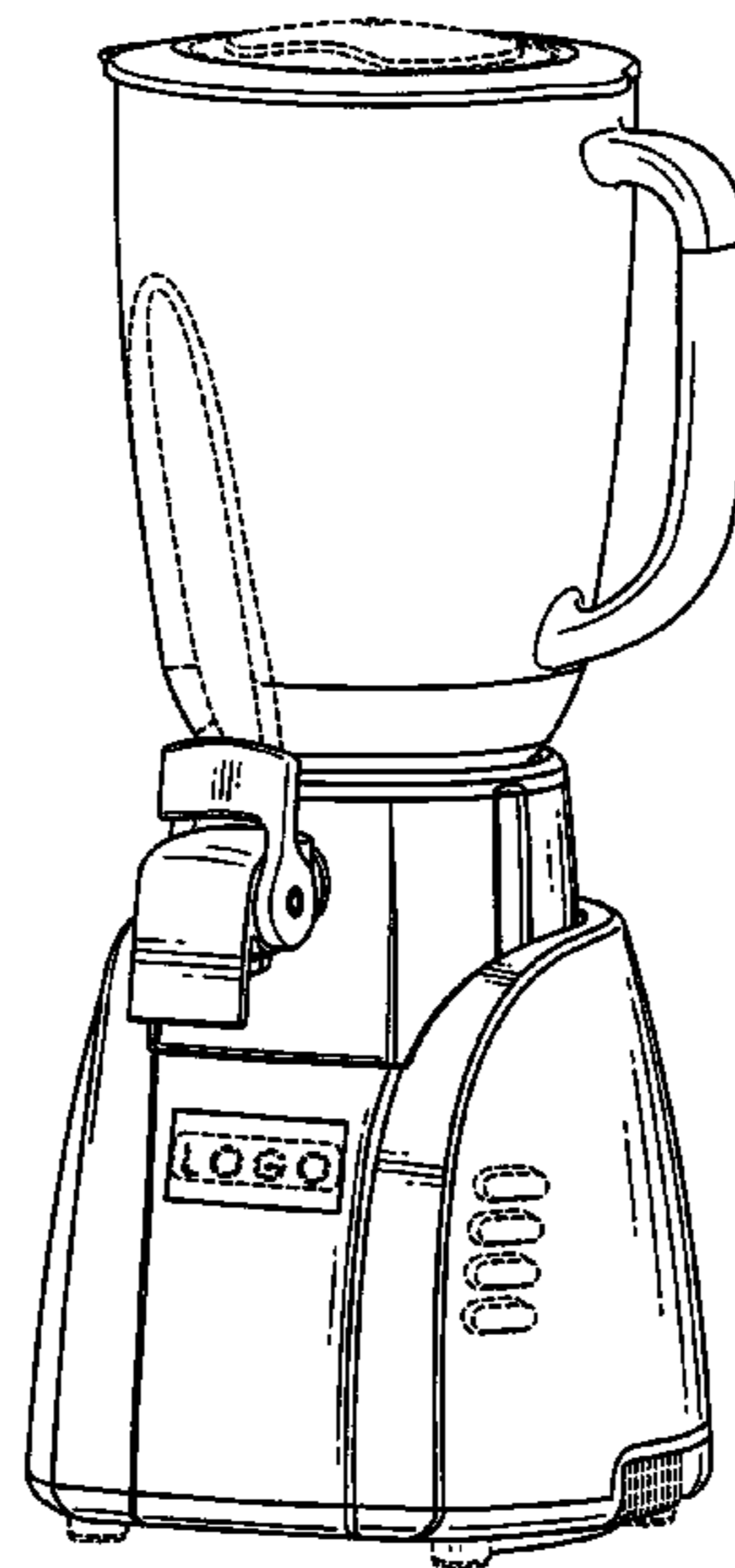
DESCRIPTION

FIG. 1 is a front perspective view of a blender in accordance with my new design;
FIG. 2 is a right side perspective view thereof;
FIG. 3 is a top plan view thereof;
FIG. 4 is a front elevational view thereof;
FIG. 5 is a bottom plan view thereof;
FIG. 6 is a right side elevational view thereof;
FIG. 7 is a rear elevational view thereof; and,
FIG. 8 is a left side elevational view thereof.
The broken lines in the figures are for illustrative purposes only and form no part of the claimed design.

(56) **References Cited**
U.S. PATENT DOCUMENTS

516,438 A 3/1894 Faucet
1,874,079 A 8/1932 Black
2,134,261 A 10/1938 Oswell
2,315,018 A 3/1943 Lawrence
2,463,697 A 3/1949 Kipper
D155,089 S * 9/1949 Karstadt D7/378
D183,177 S * 7/1958 Oertli D7/378
3,386,700 A 6/1968 Greene et al.
4,339,639 A 7/1982 Valbona
4,351,612 A 9/1982 Valbona
4,518,263 A 5/1985 Brym
4,720,076 A 1/1988 Hyde
4,822,175 A 4/1989 Barnard
5,183,182 A 2/1993 Comstock

1 Claim, 7 Drawing Sheets



US D552,412 S

Page 2

U.S. PATENT DOCUMENTS

D440,813 S	4/2001	Gort-Barten		D503,869 S *	4/2005	Hei	D7/378
D444,995 S	7/2001	Thackray		D504,277 S	4/2005	Hei		
D445,635 S	7/2001	Gort-Barten		6,966,689 B2	11/2005	Daniels, Jr.		
6,431,744 B1	8/2002	Ash		D512,265 S	12/2005	McCurrach		
D463,194 S *	9/2002	Busick et al.	D520,808 S *	5/2006	Beesley et al.	D7/378
6,457,614 B1	10/2002	Amidzich		D525,481 S *	7/2006	Kassenaar	D7/378
D466,362 S *	12/2002	Moore	D526,156 S *	8/2006	Yeung	D7/378
6,527,433 B2	3/2003	Daniels, Jr.		2002/0009016 A1	1/2002	Ancona		
D473,099 S	4/2003	Yamamoto et al.		2002/0080678 A1 *	6/2002	Daniels, Jr.	366/205
D473,100 S *	4/2003	Sakai et al.	2003/0099154 A1	5/2003	Daniels, Jr.		
D473,421 S	4/2003	Daniels, Jr.		2005/0174884 A1	8/2005	Farrell		
D474,065 S	5/2003	Daniels, Jr.		2005/0185507 A1	8/2005	Beesley et al.		
6,595,121 B1	7/2003	Chang Chien		2005/0199534 A1	9/2005	Daniels, Jr.		
D483,607 S	12/2003	Chang Chien		2005/0207270 A1	9/2005	Beesley		
D499,602 S	12/2004	Feil		2006/0140050 A1	6/2006	Chiang		
6,837,153 B1	1/2005	Chang Chien		2006/0176765 A1	8/2006	Pryor, Jr. et al.		

* cited by examiner

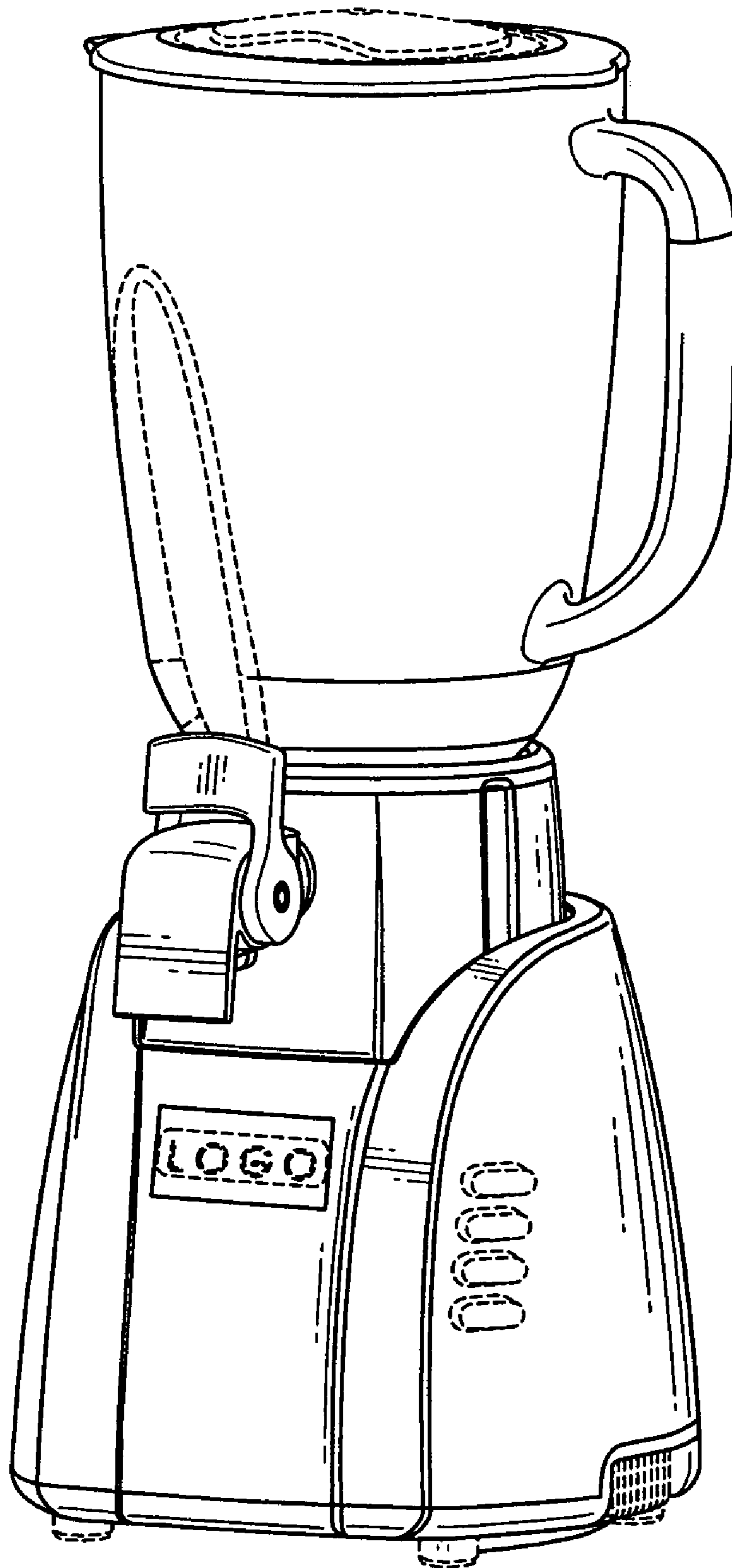


FIG. 1

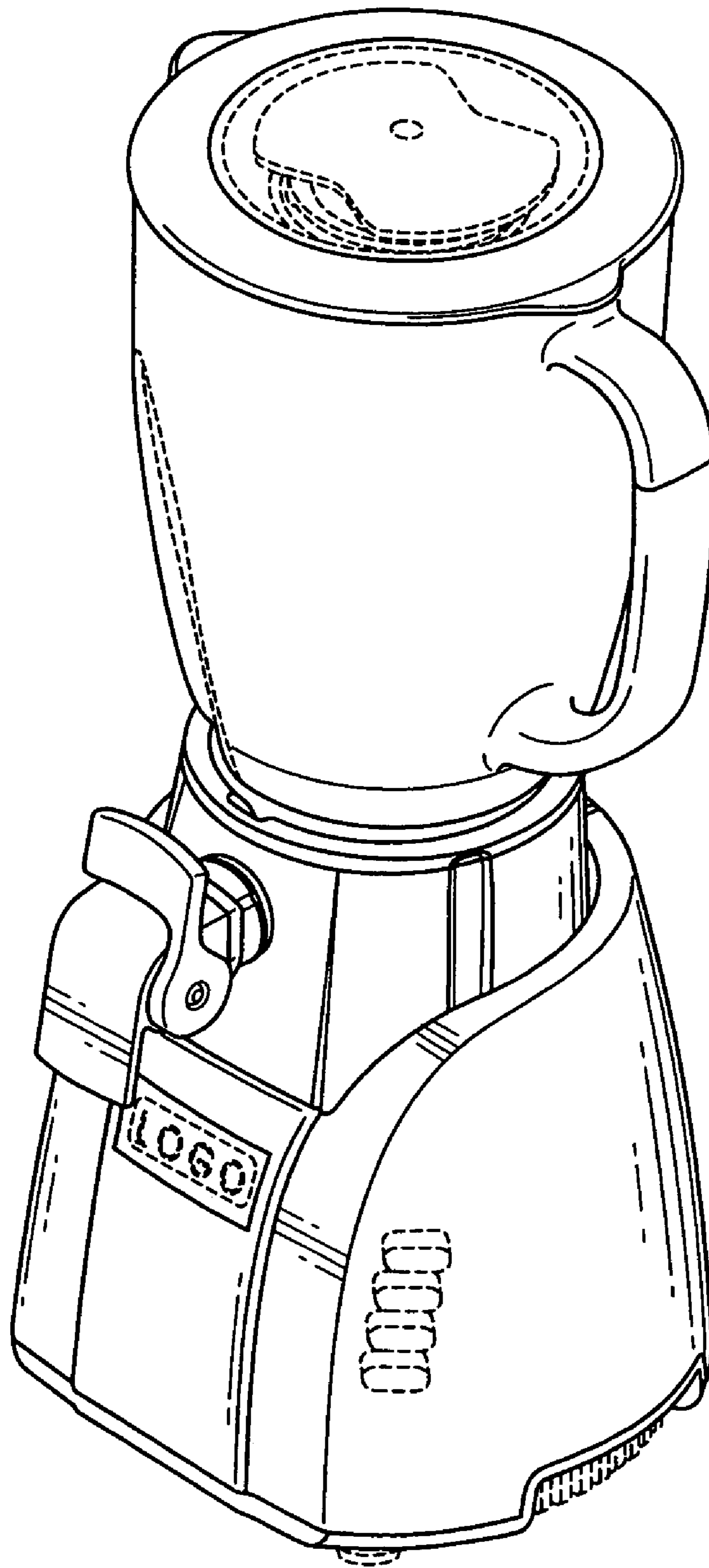


FIG. 2

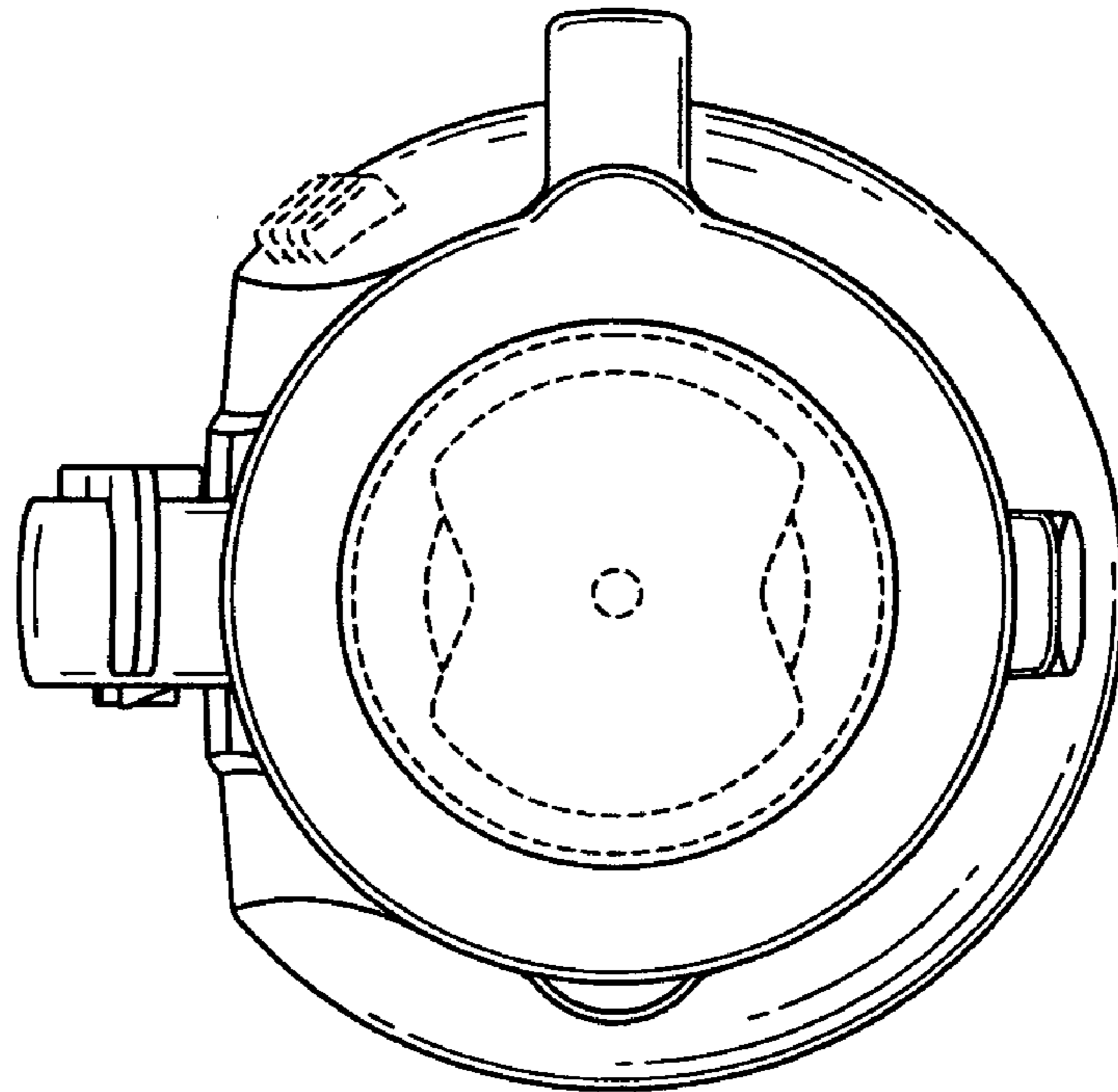


FIG. 3

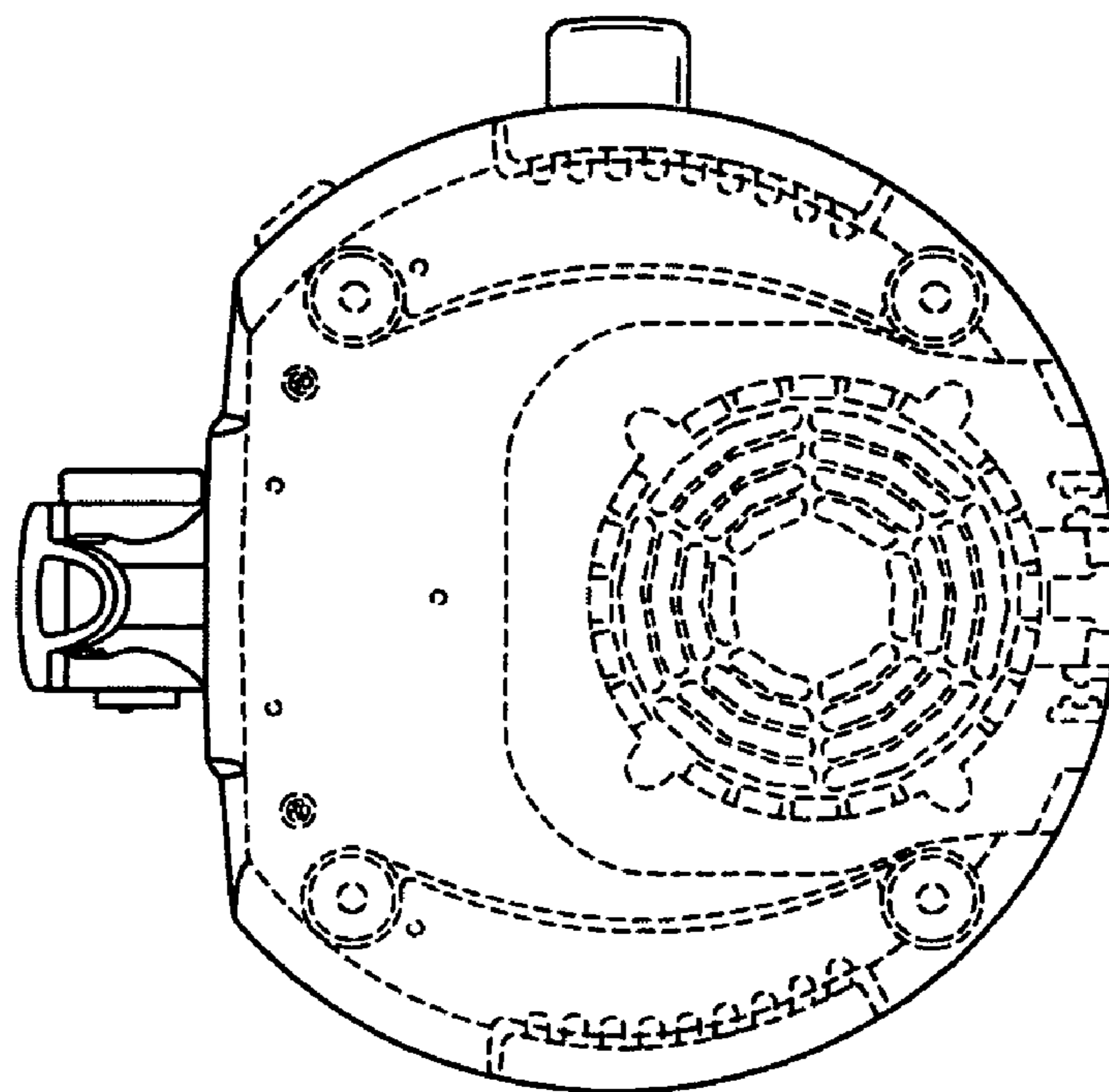


FIG. 5

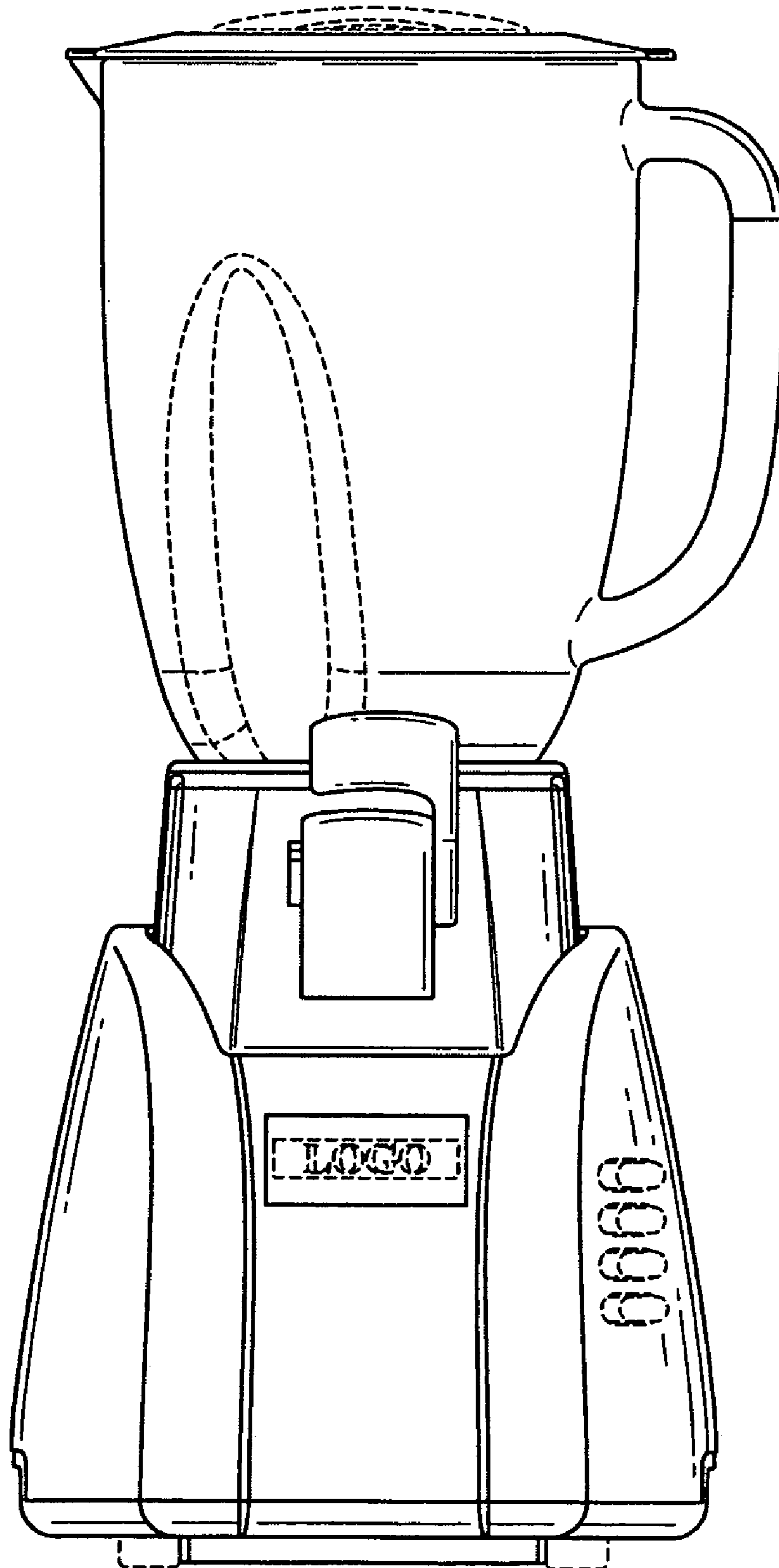


FIG. 4

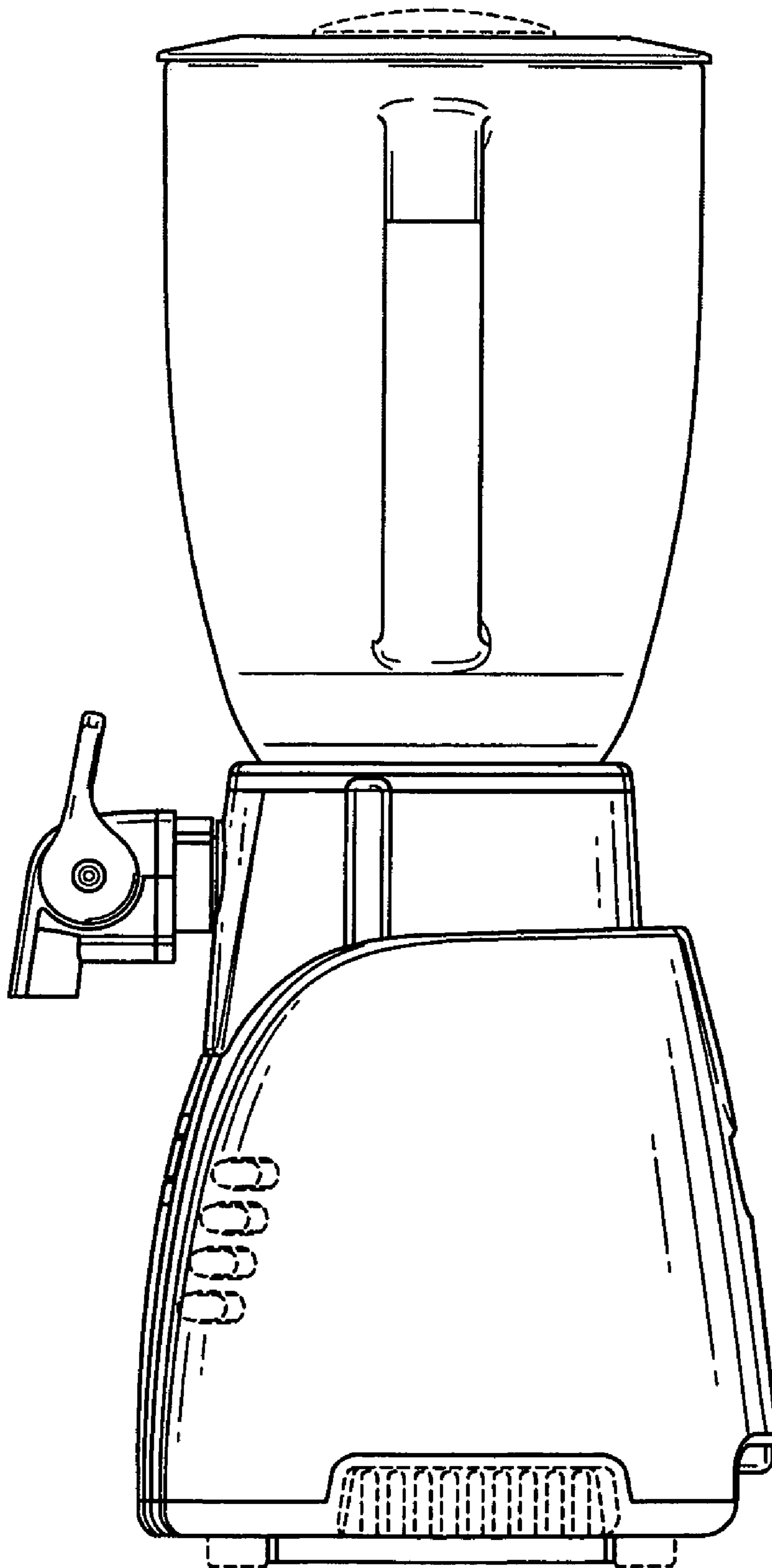


FIG. 6

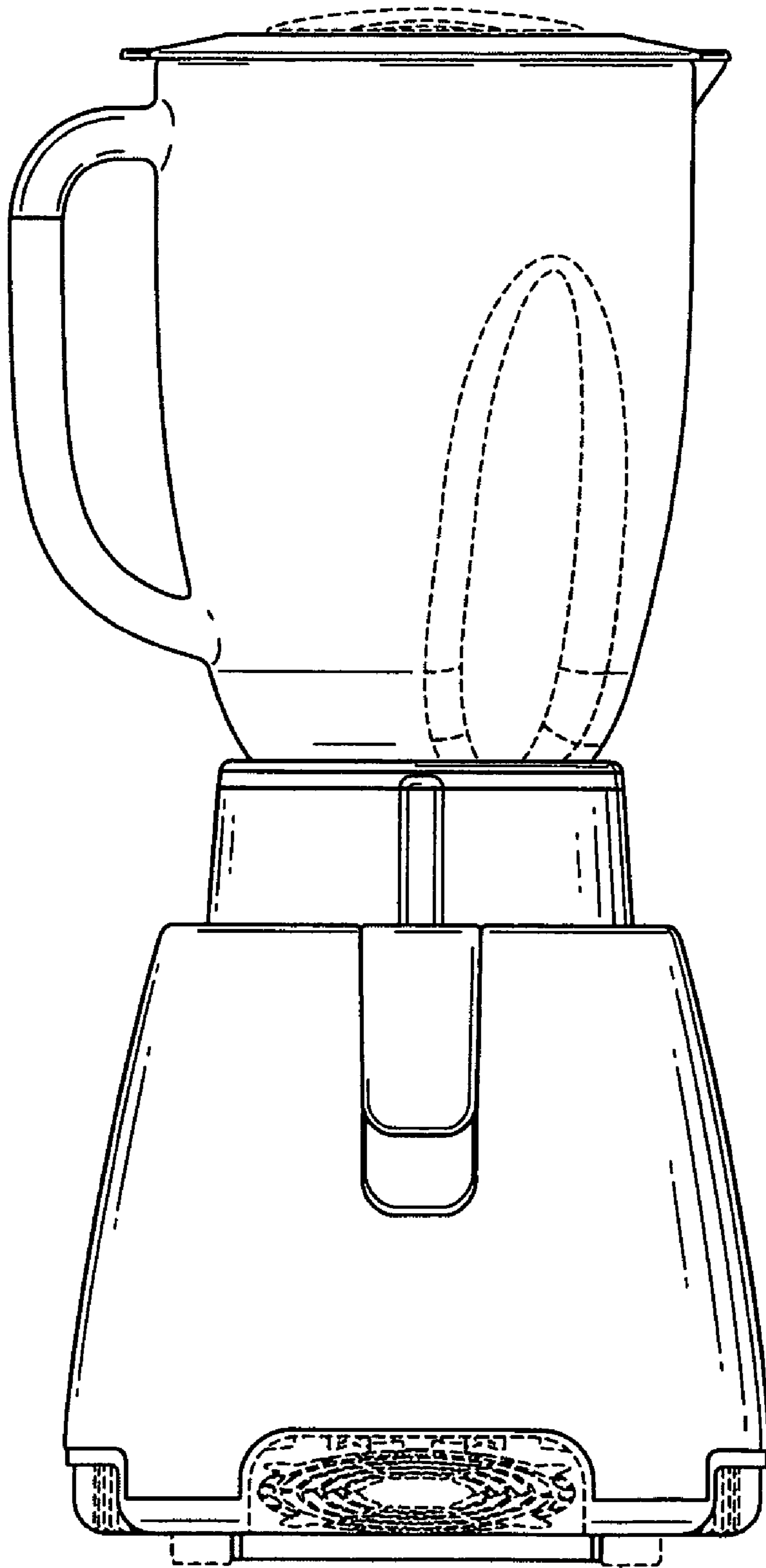


FIG. 7

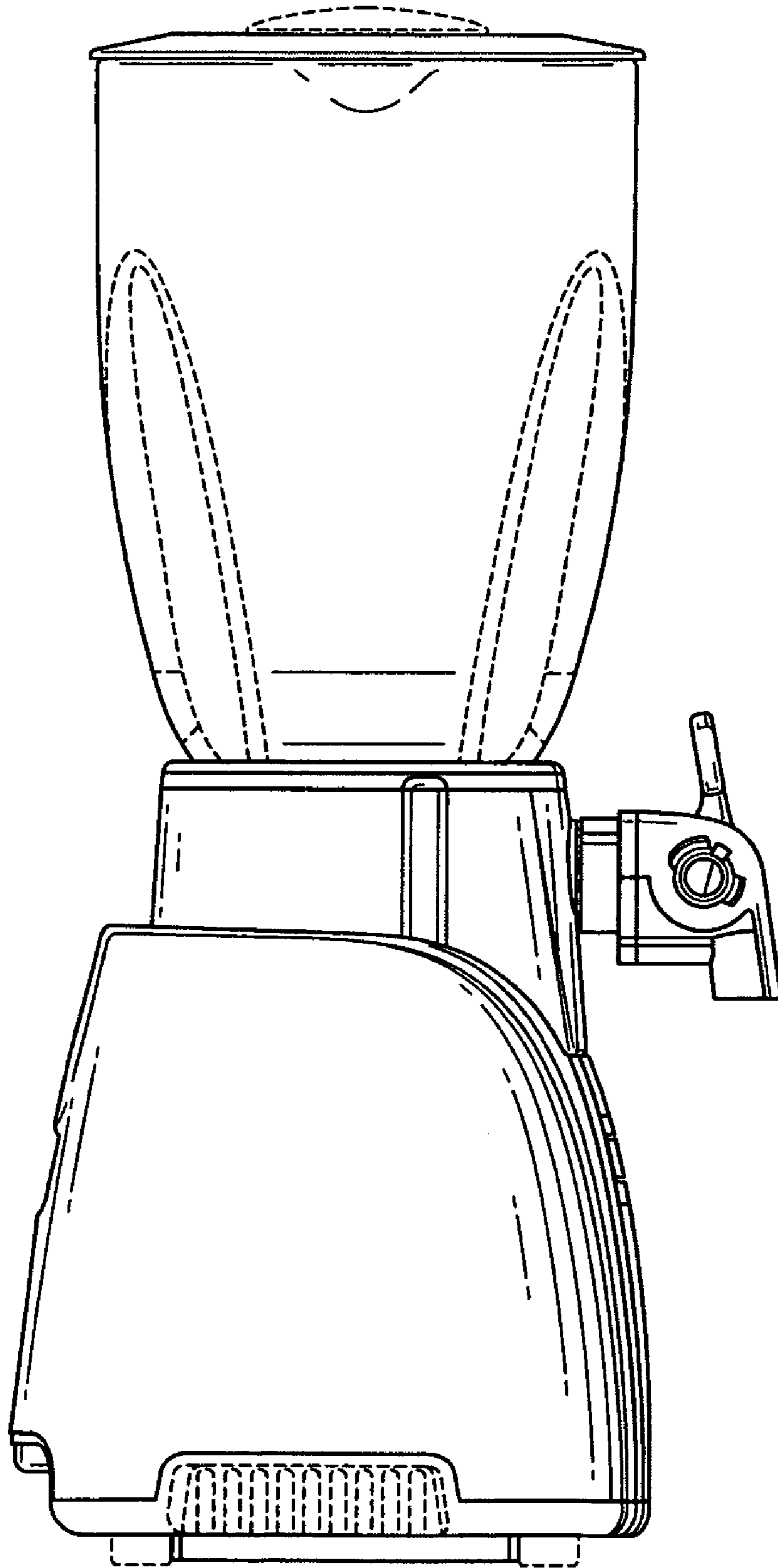


FIG. 8