



US00D552411S

(12) **United States Design Patent**
Plante et al.

(10) **Patent No.:** **US D552,411 S**

(45) **Date of Patent:** **** Oct. 9, 2007**

(54) **APPLIANCE**

6,799,506 B2 * 10/2004 Tarlow 99/472
7,047,875 B1 * 5/2006 Eastman, III 99/468
7,127,875 B2 * 10/2006 Cheung 53/510

(75) Inventors: **Thomas Plante**, Westport, MA (US);
Jeffrey Chace, South Dartmouth, MA
(US)

* cited by examiner

(73) Assignee: **Invision Products, LLC**, Seekonk, MA
(US)

Primary Examiner—Terry A. Wallace
(74) *Attorney, Agent, or Firm*—Salter & Michaelson

(**) Term: **14 Years**

(57) **CLAIM**

(21) Appl. No.: **29/265,643**

The ornamental design for an appliance, as shown.

(22) Filed: **Sep. 6, 2006**

DESCRIPTION

(51) **LOC (8) Cl.** **31-00**

FIG. 1 is a perspective view of our appliance;

(52) **U.S. Cl.** **D7/368**

FIG. 2 is a front view thereof;

(58) **Field of Classification Search** D7/368,
D7/669; D15/7; 99/467, 472, 646 C; 53/432,
53/433, 390, 510; 141/65, 96, 198

FIG. 3 is a rear view thereof;

FIG. 4 is a left side view thereof;

See application file for complete search history.

FIG. 5 is a right side view thereof;

FIG. 6 is a top view thereof; and,

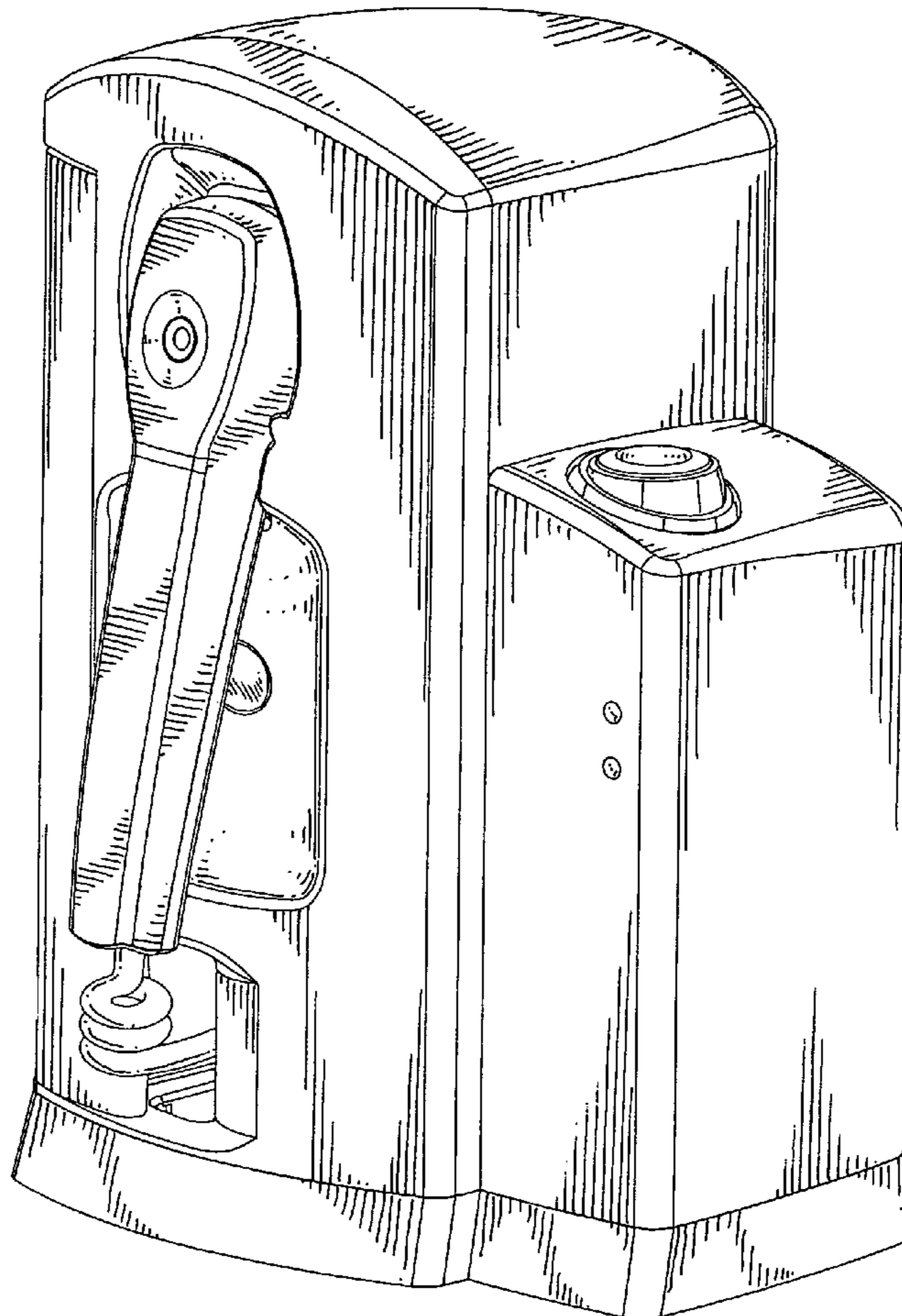
FIG. 7 is a bottom view thereof.

(56) **References Cited**

U.S. PATENT DOCUMENTS

5,570,628 A * 11/1996 Kiener et al. 99/472

1 Claim, 7 Drawing Sheets



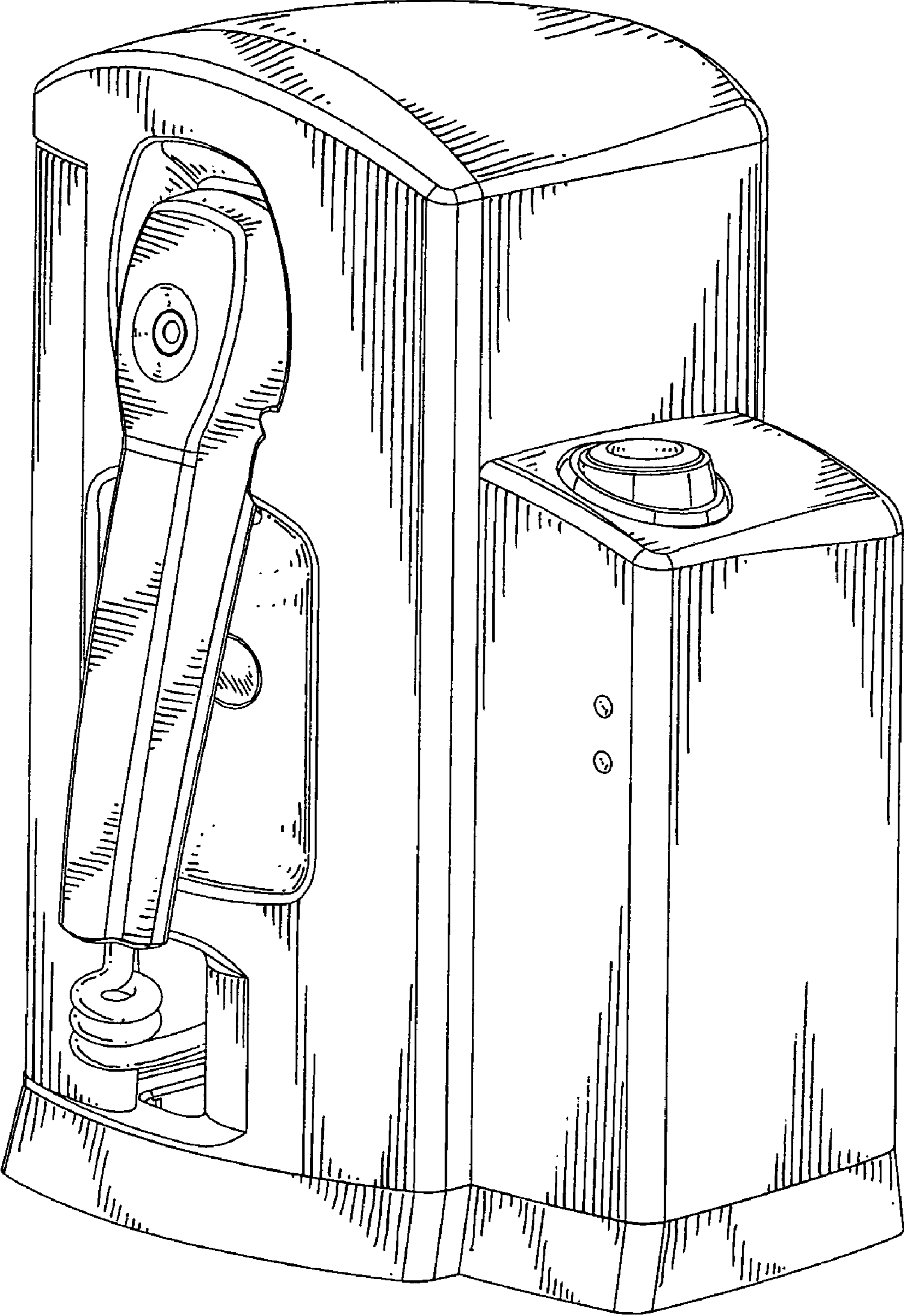


FIG. 1

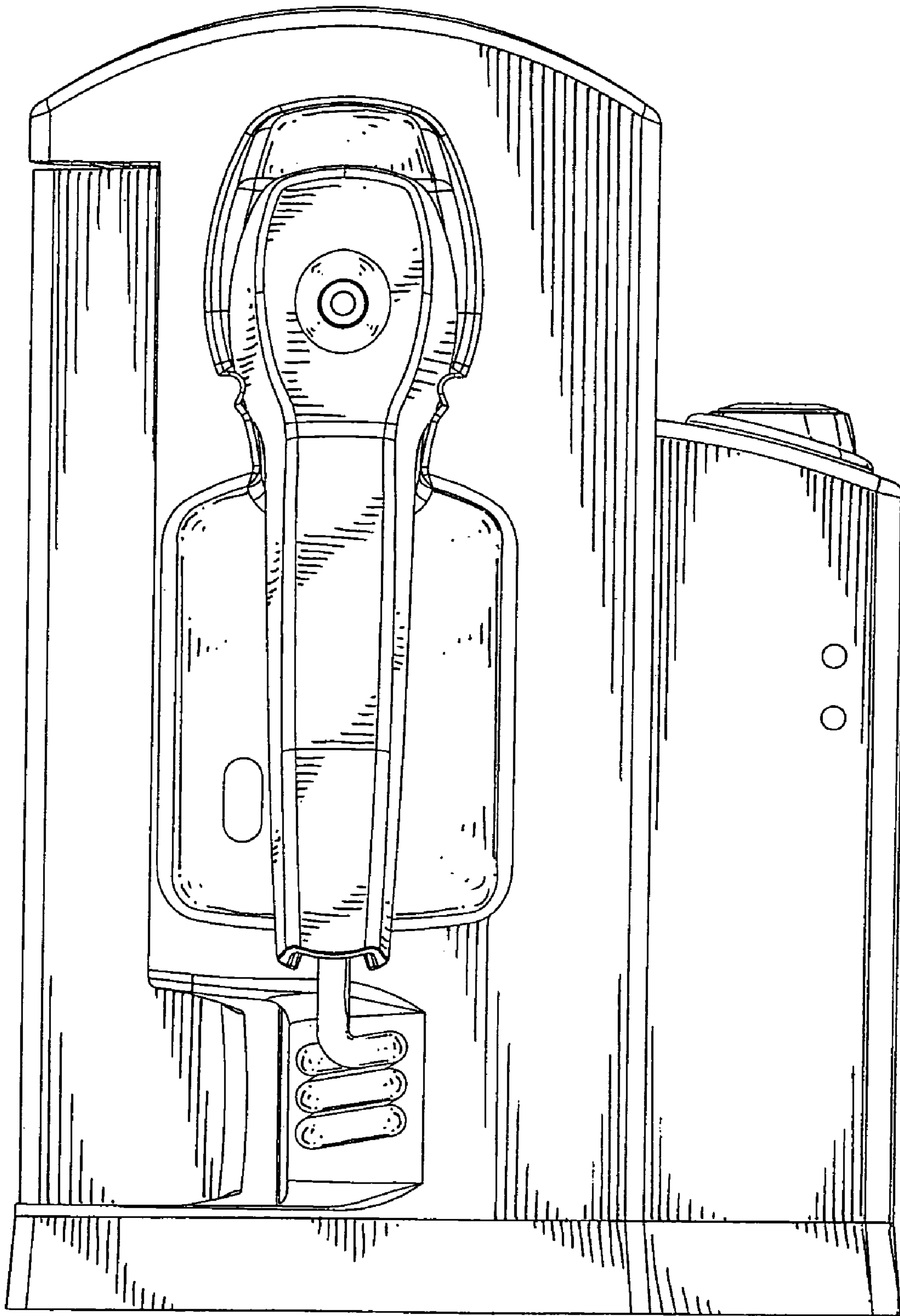


FIG. 2

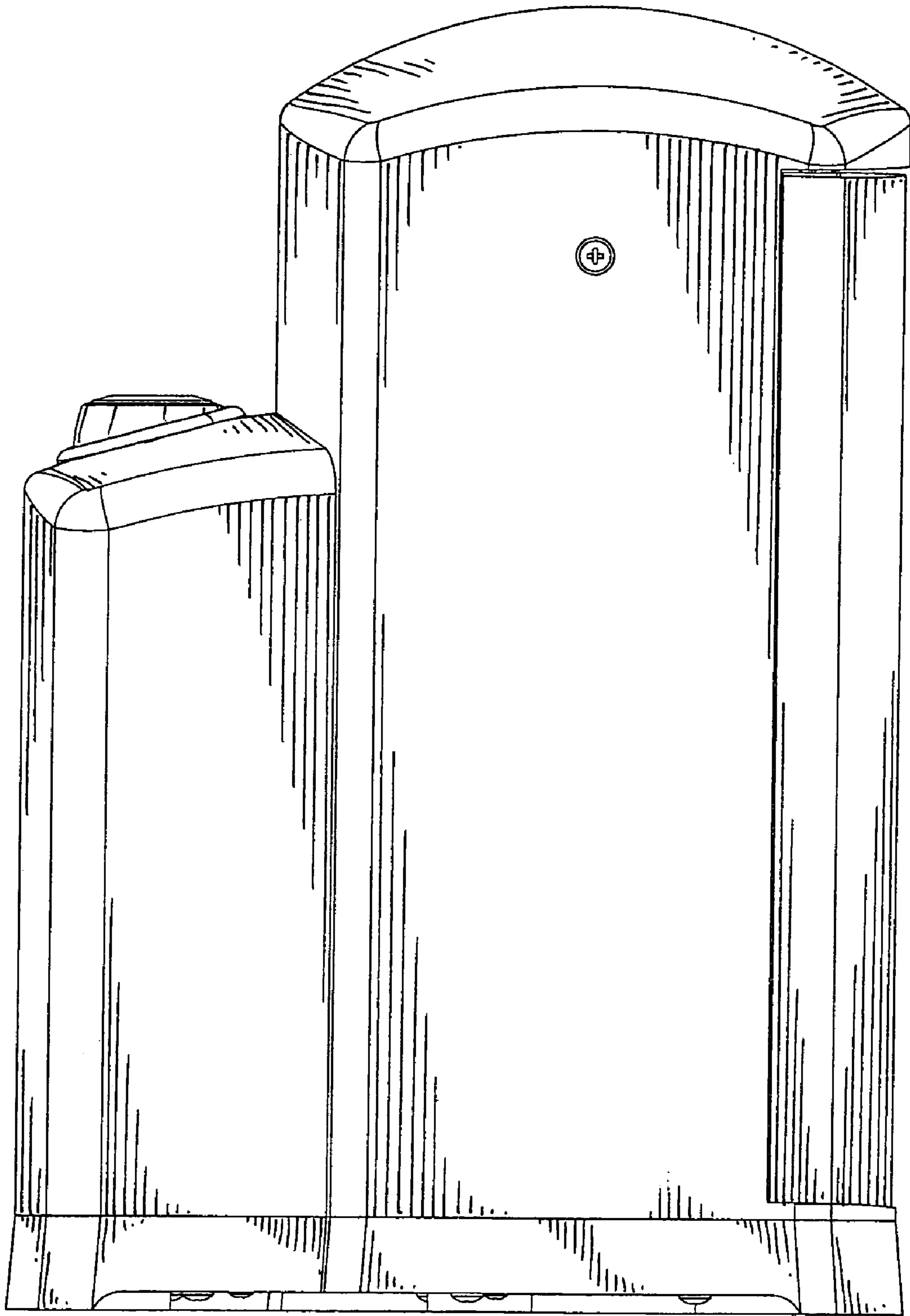


FIG. 3

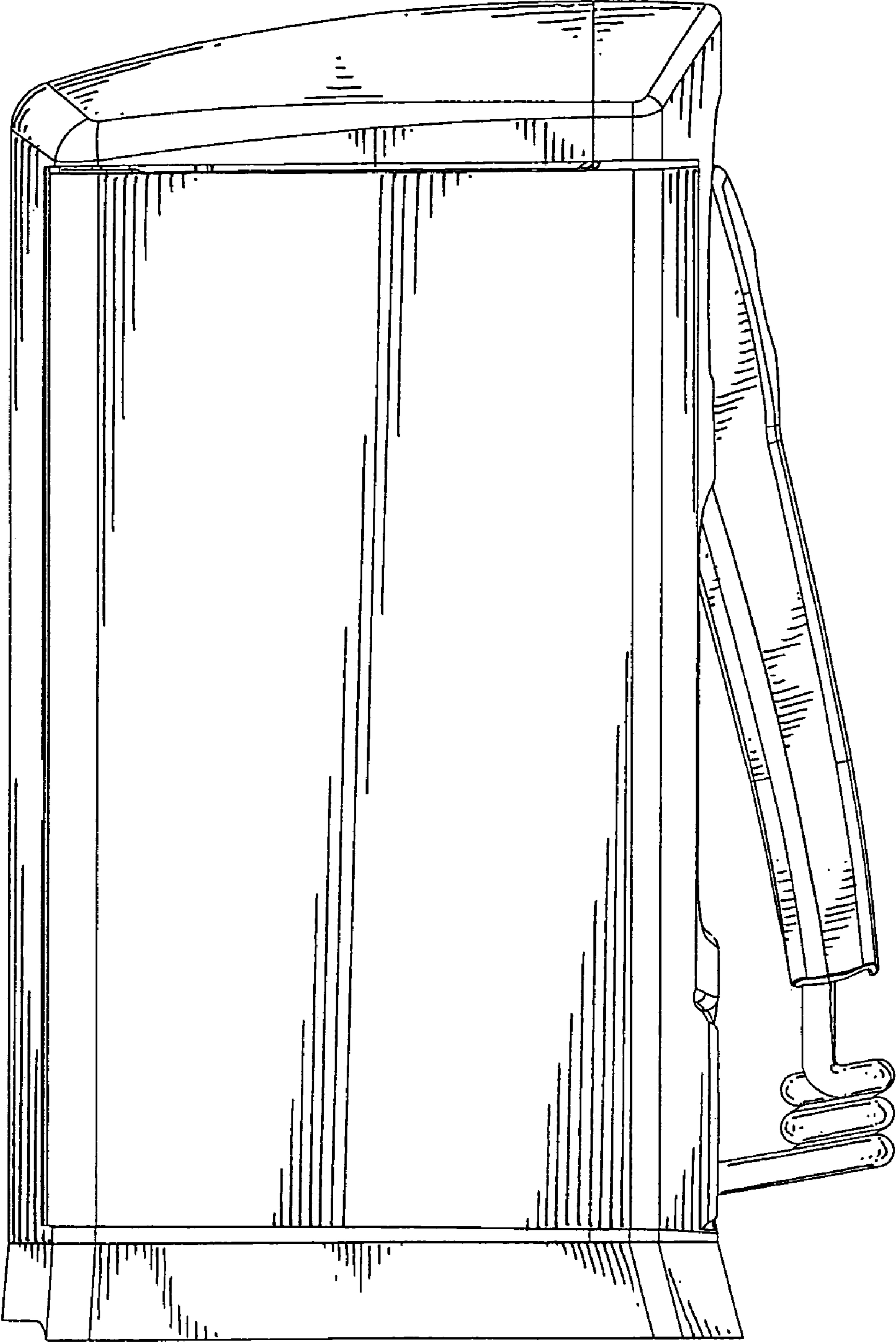


FIG. 4

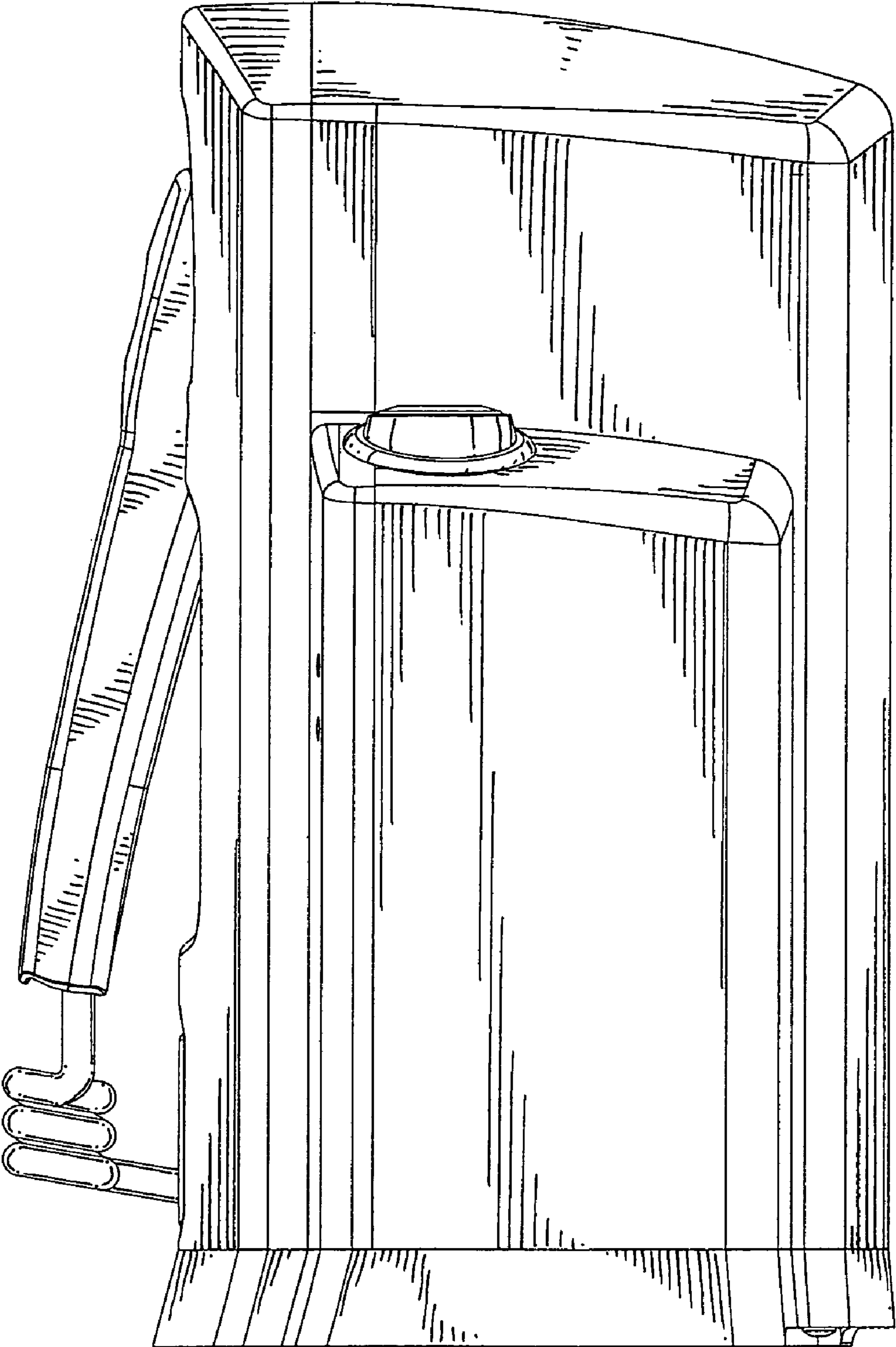


FIG. 5

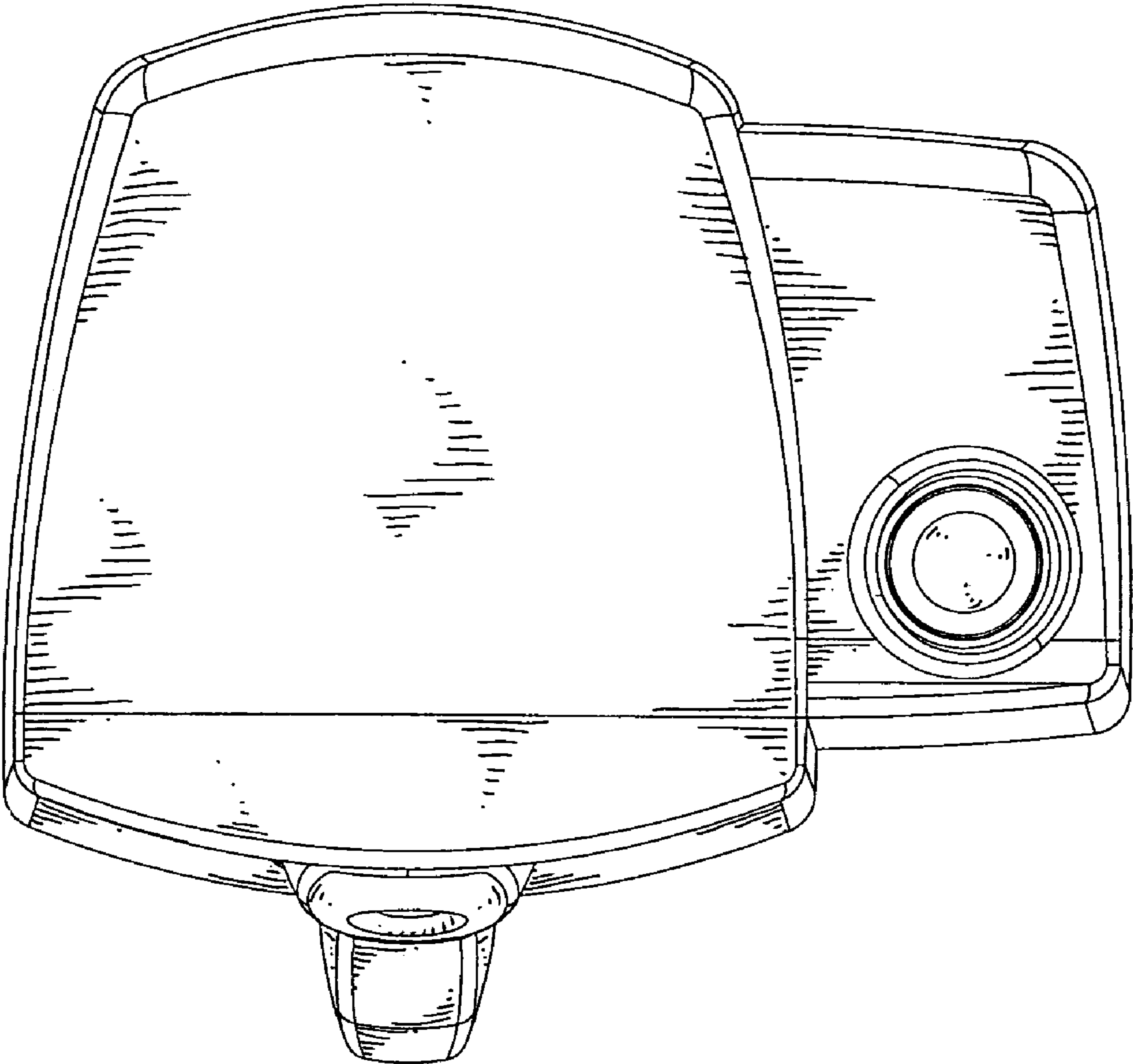


FIG. 6

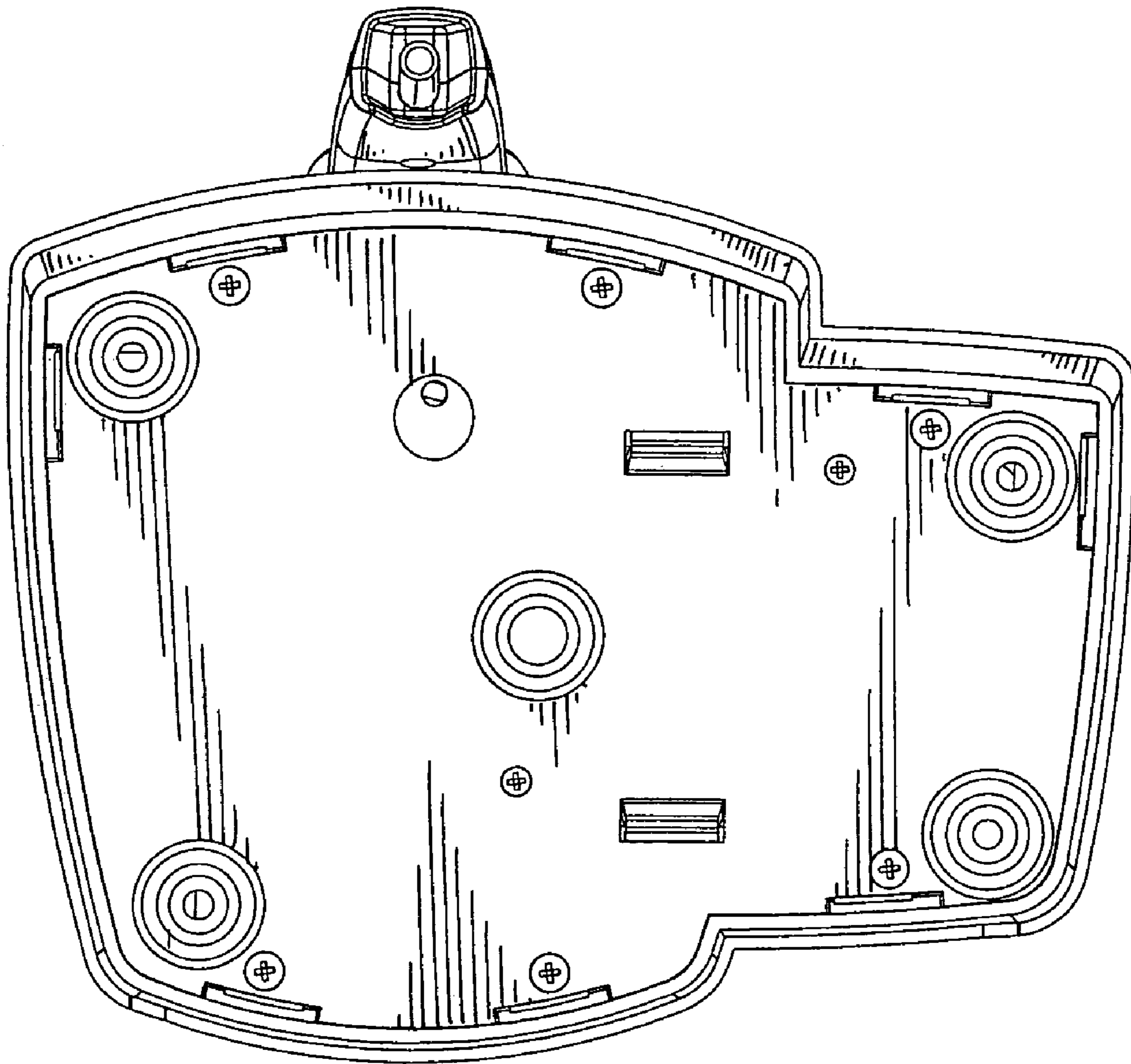


FIG. 7