



US00D552410S

(12) **United States Design Patent**
Hoff et al.

(10) **Patent No.:** **US D552,410 S**

(45) **Date of Patent:** **** Oct. 9, 2007**

(54) **COOKING UTENSIL**

D442,431 S 5/2001 Hoff et al.
6,269,737 B1 * 8/2001 Rigney et al. 99/339
D505,589 S * 5/2005 Hoff et al. D7/409

(75) Inventors: **Susan K. Hoff**, Belmont, MI (US);
Mark C. Smith, Rockford, MI (US)

* cited by examiner

(73) Assignee: **Access Business Group International LLC**, Ada, MI (US)

Primary Examiner—Cathron C. Brooks

Assistant Examiner—Ricky Pham

(**) Term: **14 Years**

(74) *Attorney, Agent, or Firm*—Warner Norcross & Judd LLP

(21) Appl. No.: **29/241,855**

(57) **CLAIM**

(22) Filed: **Nov. 1, 2005**

The ornamental design for cooking utensil, as shown and described.

(51) **LOC (8) Cl.** **07-02**

(52) **U.S. Cl.** **D7/356**

(58) **Field of Classification Search** D7/323,
D7/354–361, 409, 667; 99/339–340, 403–418,
99/449–450; 126/369, 373, 376–377; 134/135;
220/525, 573.1, 573.4, 912

See application file for complete search history.

DESCRIPTION

FIG. 1 is a perspective view of the cooking utensil embodying the present invention;

FIG. 2 is a front elevational view thereof, the rear elevational view being a mirror image thereof;

FIG. 3 is a left side elevational view thereof;

FIG. 4 is a right side elevational view thereof;

FIG. 5 is a top plan view thereof;

FIG. 6 is a bottom plan view thereof; and,

FIG. 7 is an enlarged cross-sectional view of a portion of the cooking utensil taken through line 7—7 of FIG. 5.

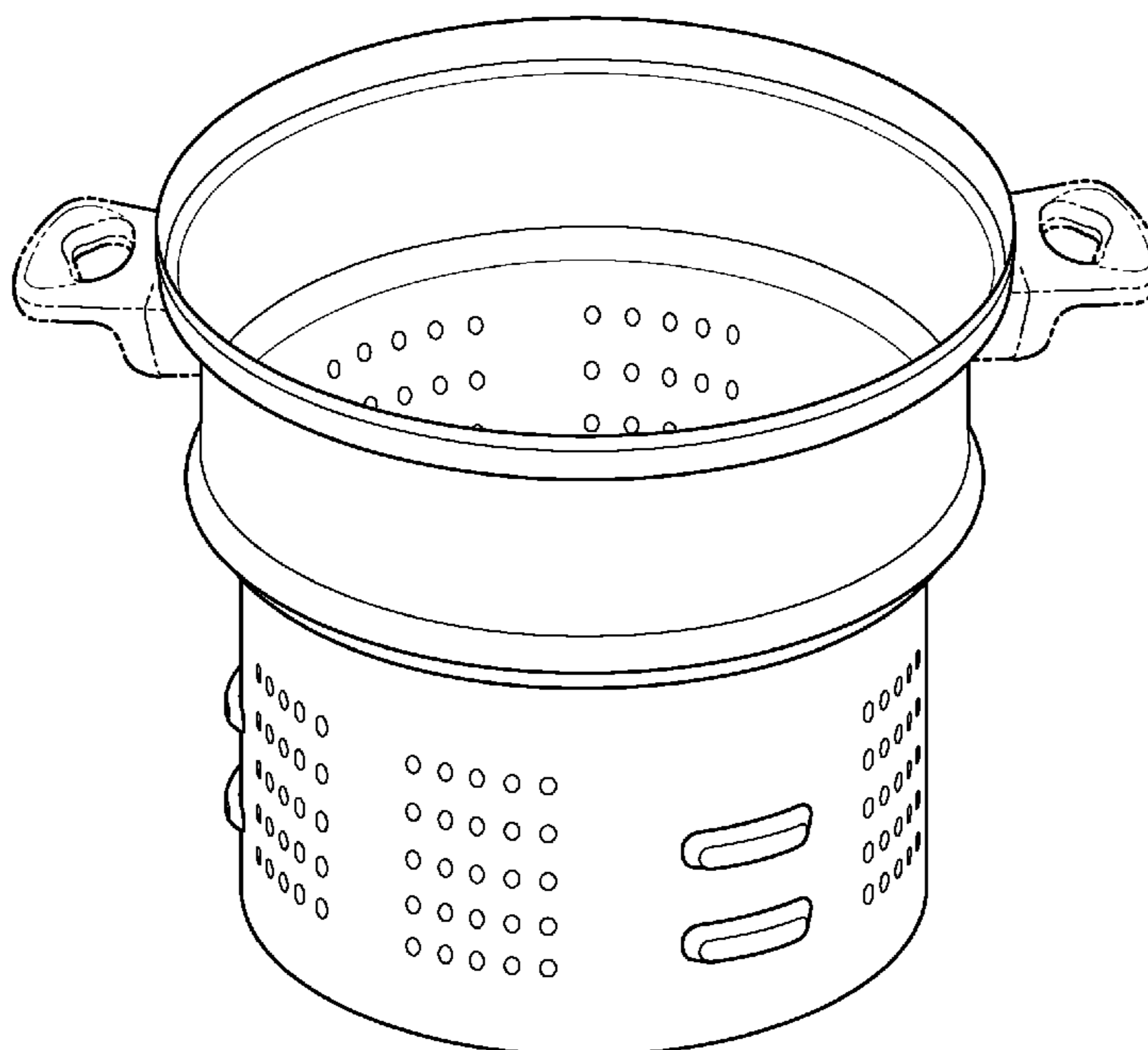
FIGS. 1–6 show handles in phantom lines. The handles are shown for environmental purposes and form no part of the claimed design.

(56) **References Cited**

U.S. PATENT DOCUMENTS

166,102	A *	7/1875	Hennaman et al.	220/525
254,355	A *	2/1882	McCord	99/403
261,142	A *	7/1882	Dorsch et al.	99/410
419,497	A *	1/1890	Caradine	134/135
532,226	A *	1/1895	Baumgardner	99/407
RE16,011	E *	3/1925	Simon	99/412
1,715,721	A *	6/1929	Simon	99/412
D296,287	S *	6/1988	Mueller	D7/409
D382,440	S *	8/1997	Fonville	D7/360
D390,757	S *	2/1998	Wold et al.	D7/667
6,055,901	A *	5/2000	Gantos et al.	99/412

1 Claim, 6 Drawing Sheets



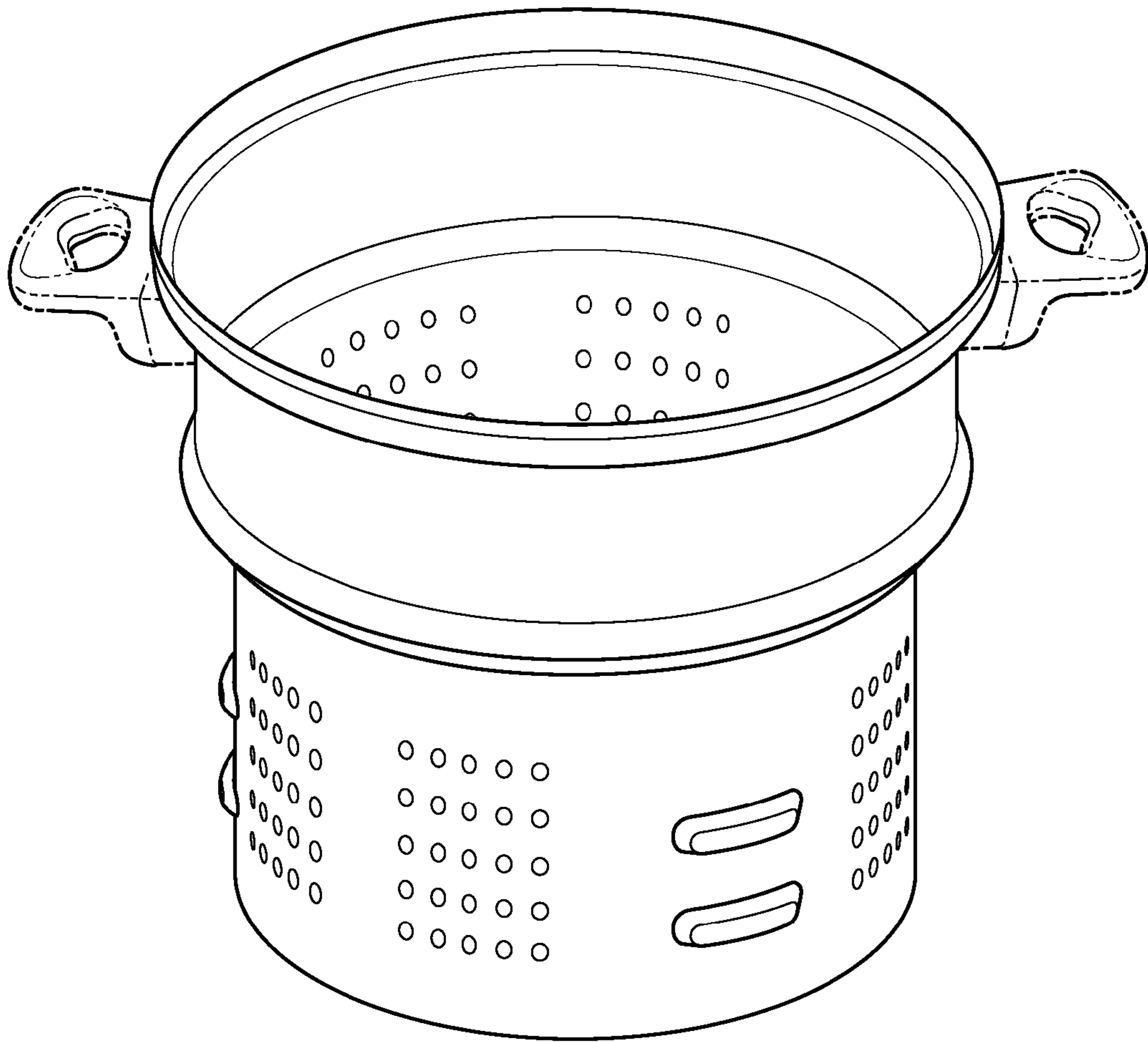


Fig. 1

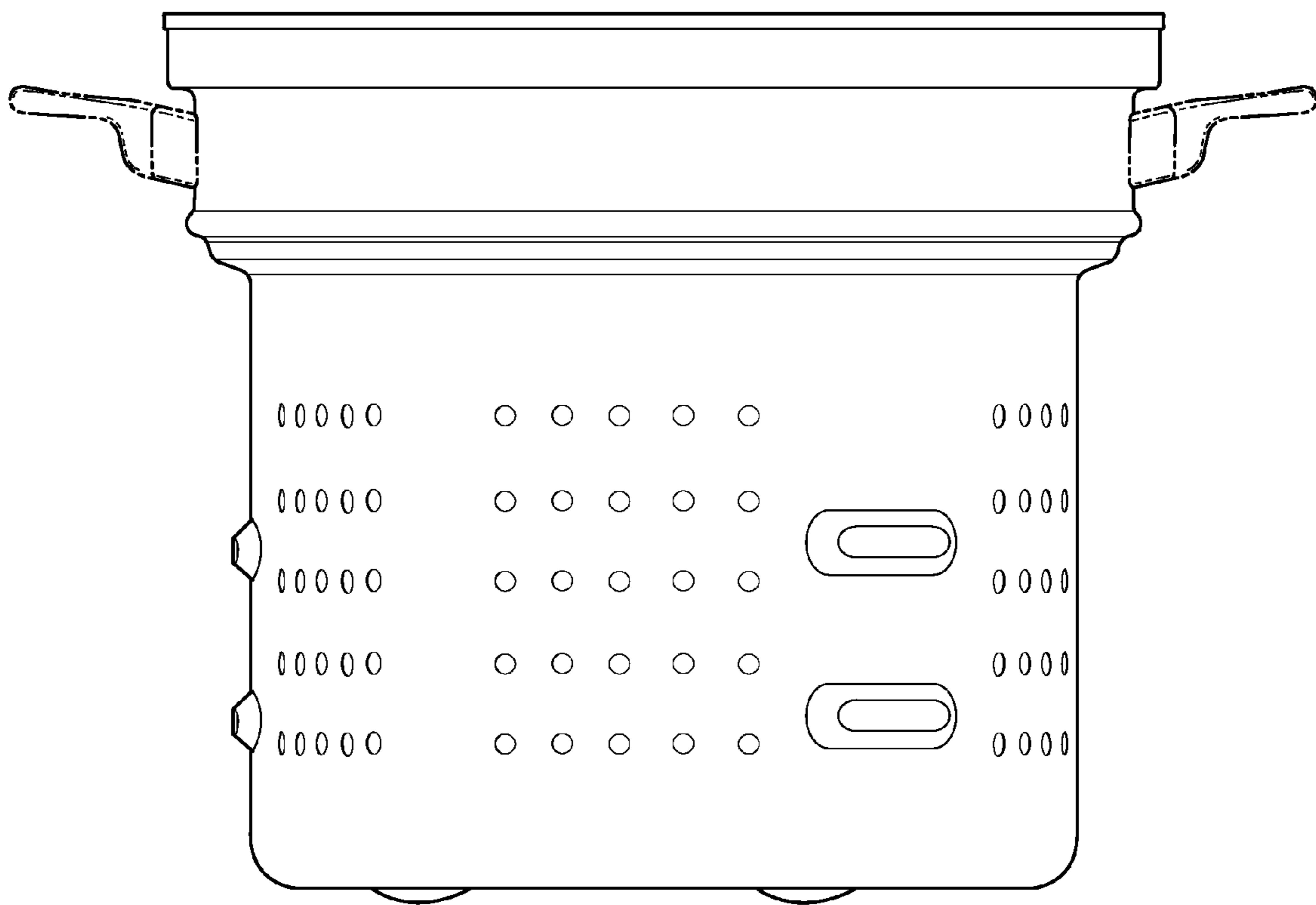


Fig. 2

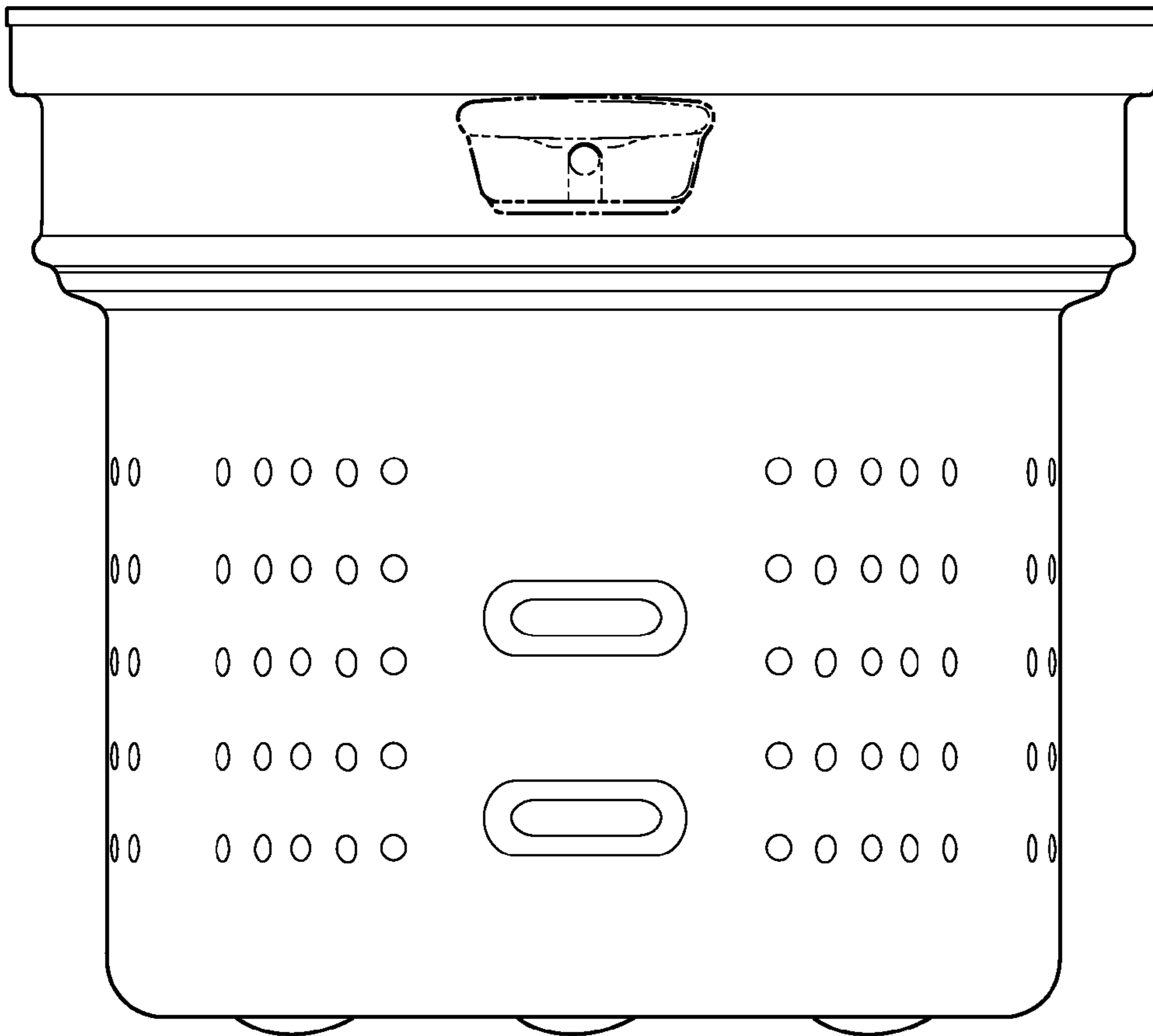


Fig. 3

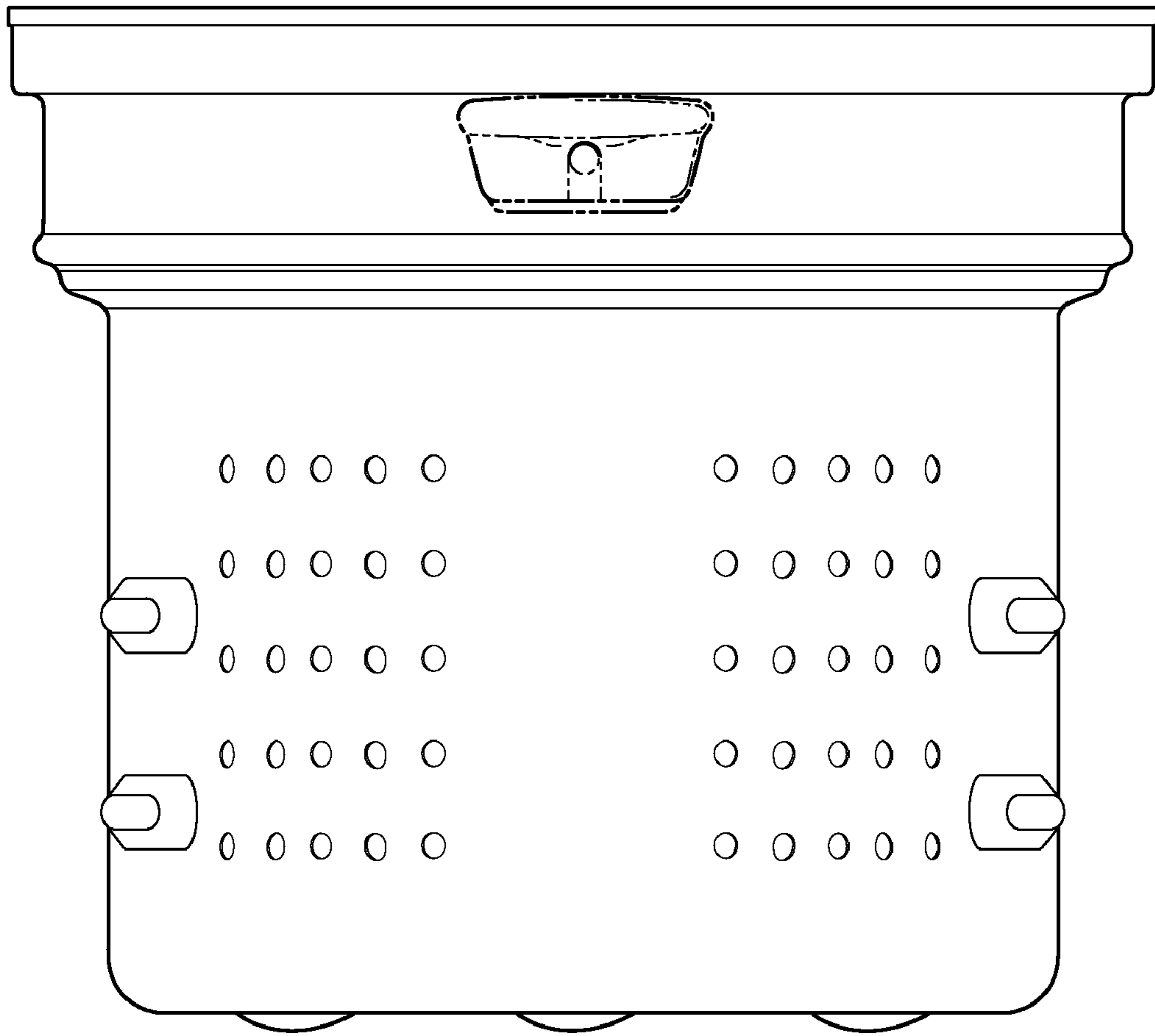


Fig. 4

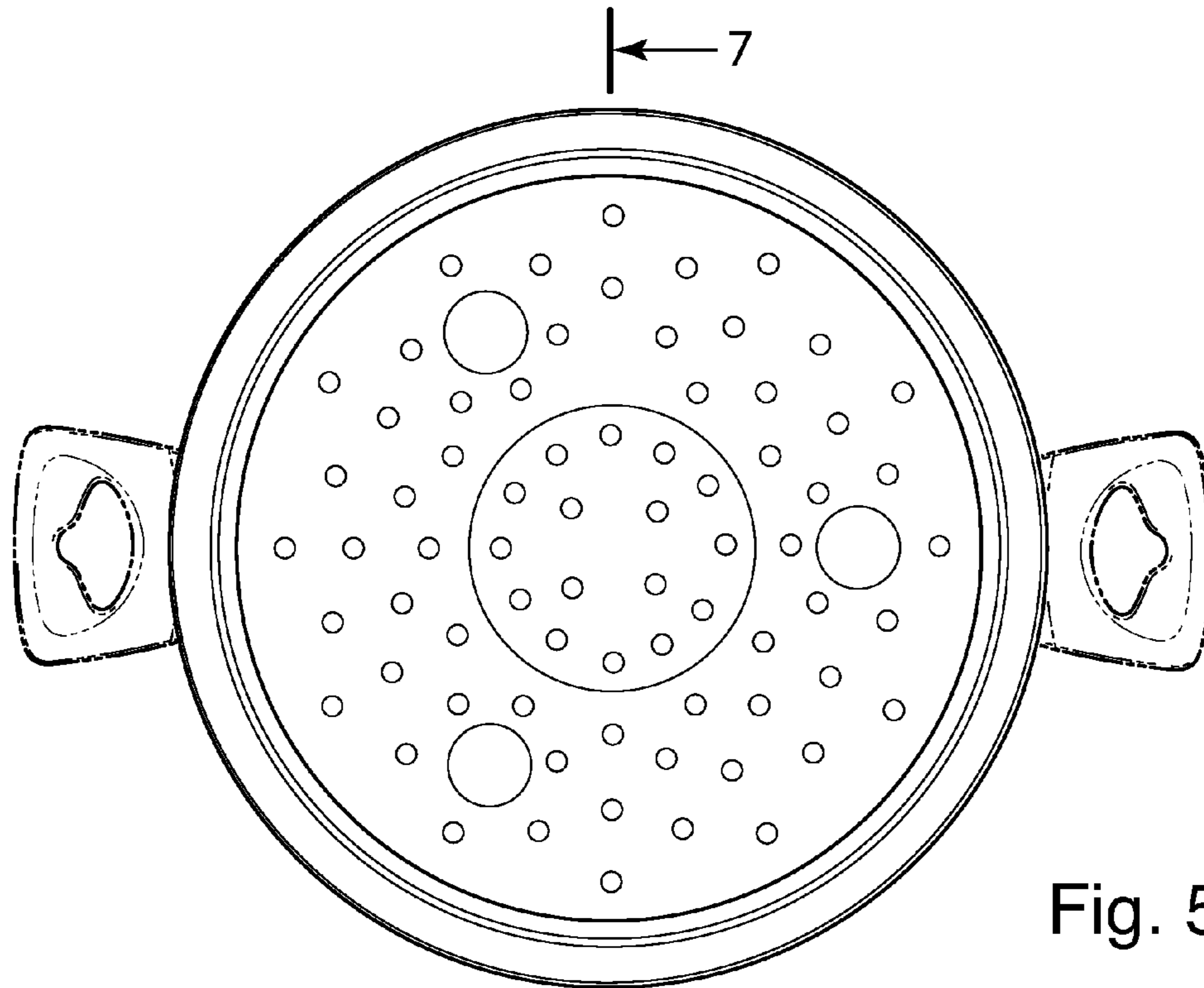


Fig. 5

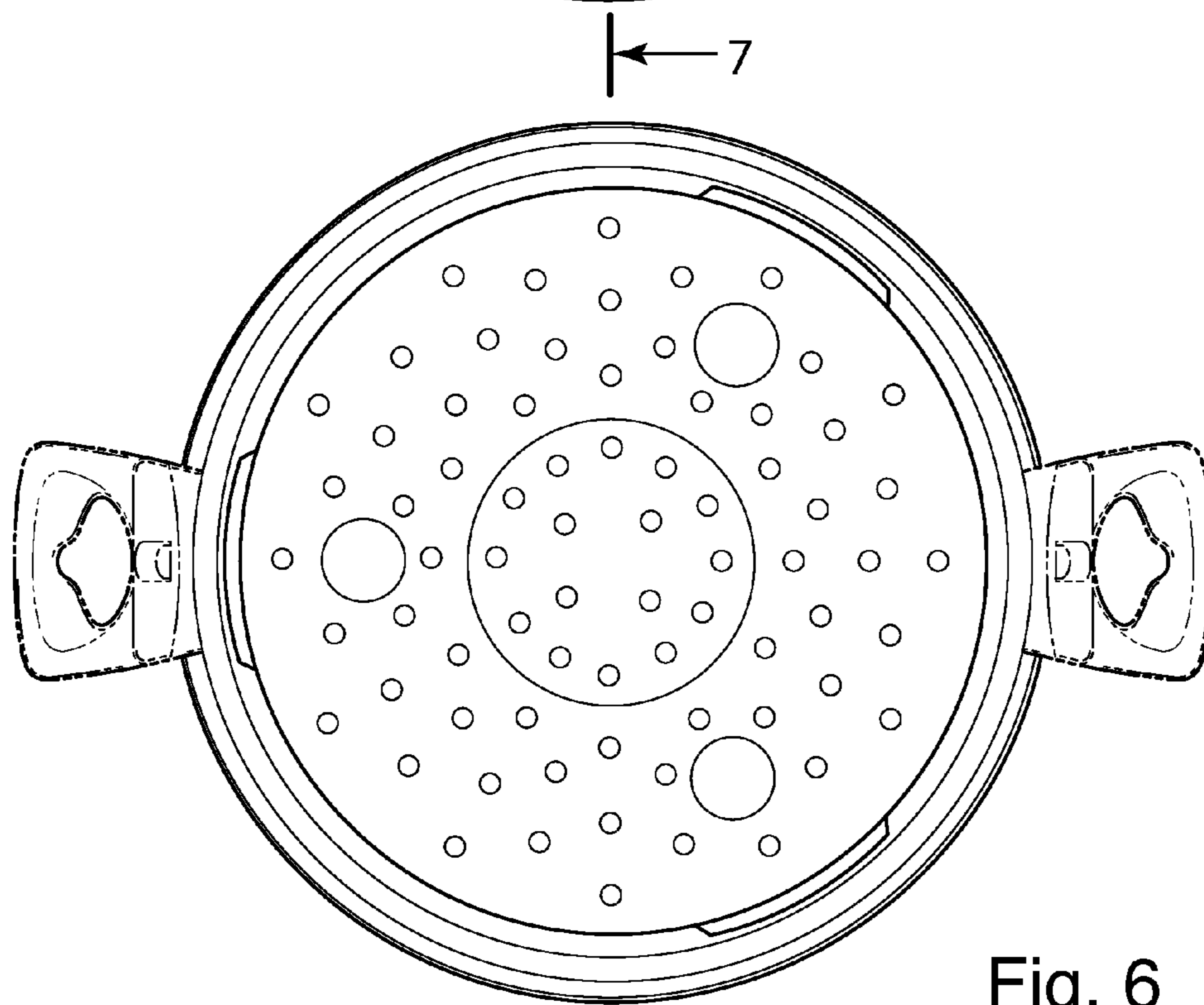


Fig. 6

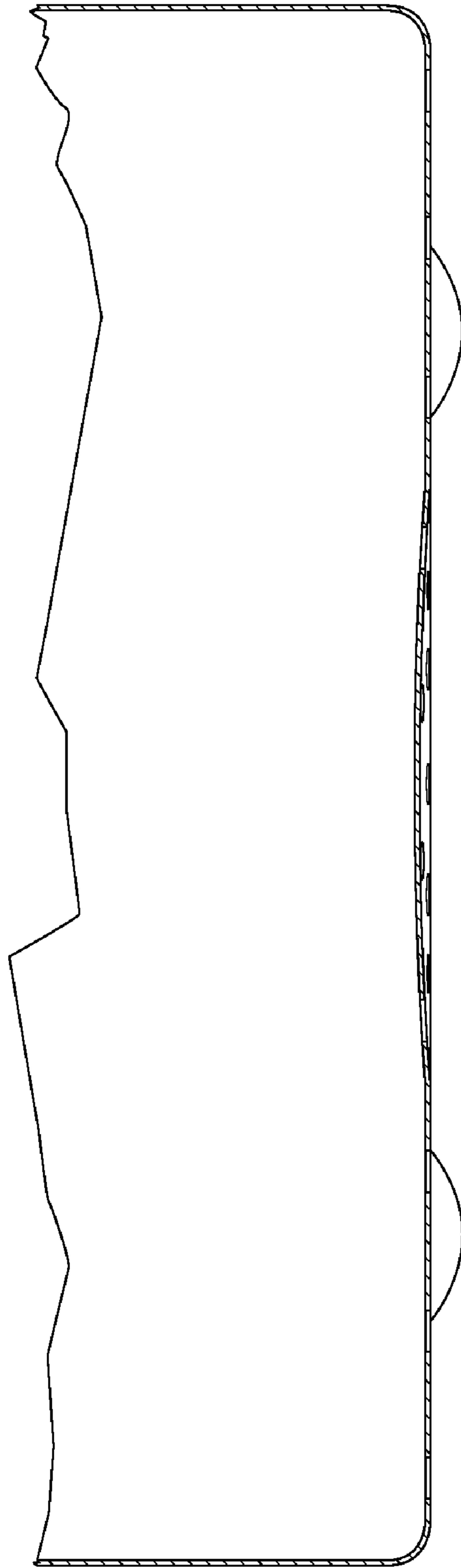


Fig. 7