



US00D552406S

(12) **United States Design Patent**  
**Chung**

(10) **Patent No.:** **US D552,406 S**

(45) **Date of Patent:** **\*\* Oct. 9, 2007**

(54) **SMOKING STOVE**

(76) Inventor: **Kiosky Chung**, 8F-1,, No.497,  
Jhongming S. Rd., West District,  
Taichung City (TW) 403

(\*\*) Term: **14 Years**

(21) Appl. No.: **29/251,966**

(22) Filed: **Jan. 17, 2006**

(51) **LOC (8) Cl.** ..... **07-02**

(52) **U.S. Cl.** ..... **D7/334**

(58) **Field of Classification Search** ..... D7/332-337,  
D7/402-405; D23/335-336, 343; 126/500,  
126/506, 519, 40, 50, 9 R, 9 B, 25 R, 25 A,  
126/38, 304 R, 305, 268, 276, 41 R, 37 R;  
99/339, 445, 448, 481-482; 248/128-129;  
312/249.8, 249.13, 351.2; D6/511, 574  
See application file for complete search history.

(56) **References Cited**

**U.S. PATENT DOCUMENTS**

D206,977 S \* 2/1967 Koziol ..... D7/335  
D208,681 S \* 9/1967 Koziol ..... D7/335  
D276,491 S \* 11/1984 Shaper et al. .... D7/332  
5,031,602 A \* 7/1991 Vick ..... 126/25 R

D364,772 S \* 12/1995 Dutro et al. .... D7/332  
6,575,155 B2 \* 6/2003 Brennan ..... 126/41 R  
6,802,308 B1 \* 10/2004 Nugent et al. .... 126/38  
7,150,278 B1 \* 12/2006 Hampton ..... 126/38  
2002/0020304 A1 \* 2/2002 Reynolds ..... 99/339

\* cited by examiner

*Primary Examiner*—Ruth McInroy

(74) *Attorney, Agent, or Firm*—Banger Shia

(57) **CLAIM**

I claim the ornamental design for a smoking stove, as shown and described.

**DESCRIPTION**

FIG. 1 is a perspective view of a smoking stove, showing my new design;

FIG. 2 is a front elevational view thereof;

FIG. 3 is a rear elevational view thereof;

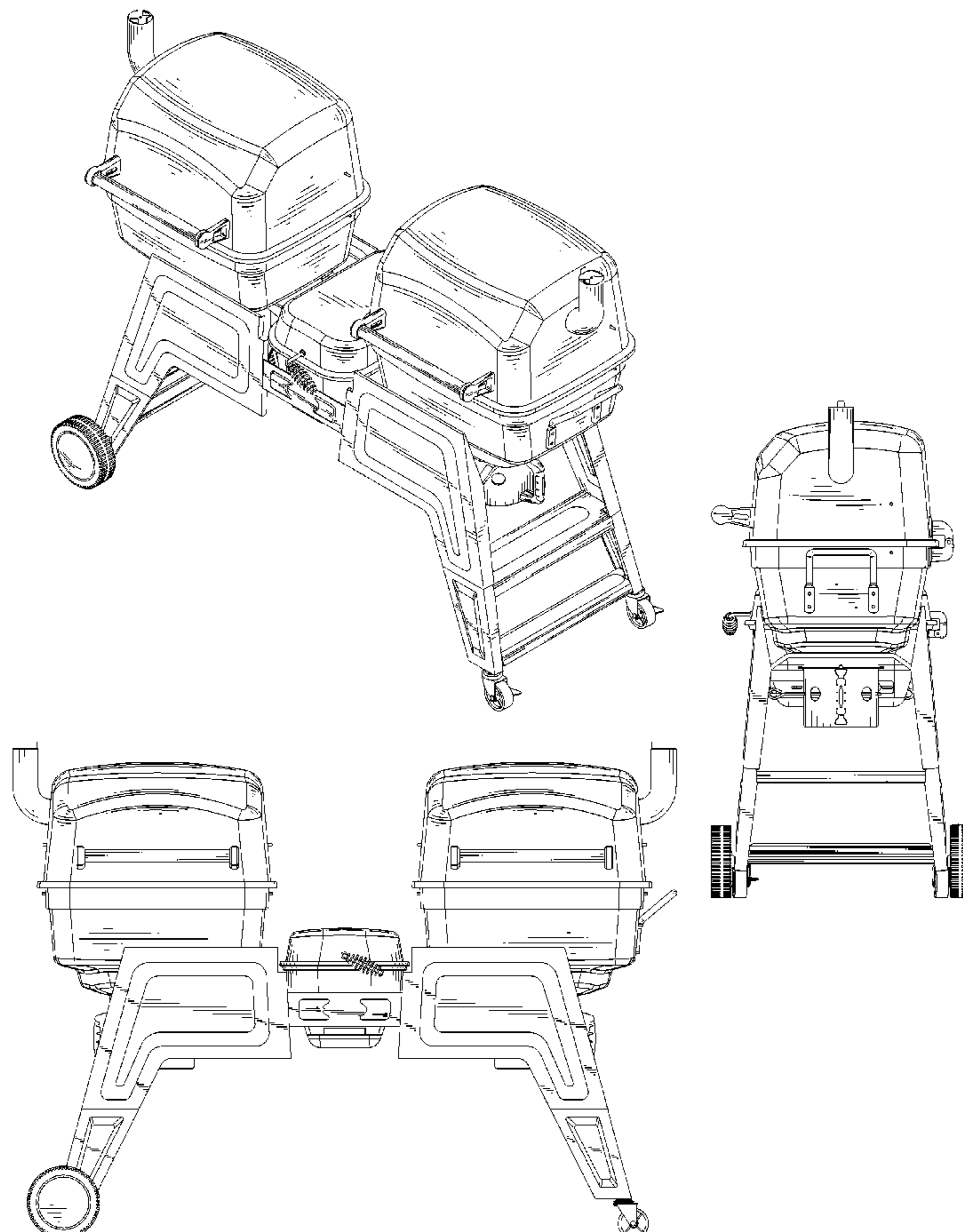
FIG. 4 is a left side elevational view thereof;

FIG. 5 is a right side elevational view thereof;

FIG. 6 is a top plan view thereof; and,

FIG. 7 is a bottom plan view thereof.

**1 Claim, 7 Drawing Sheets**



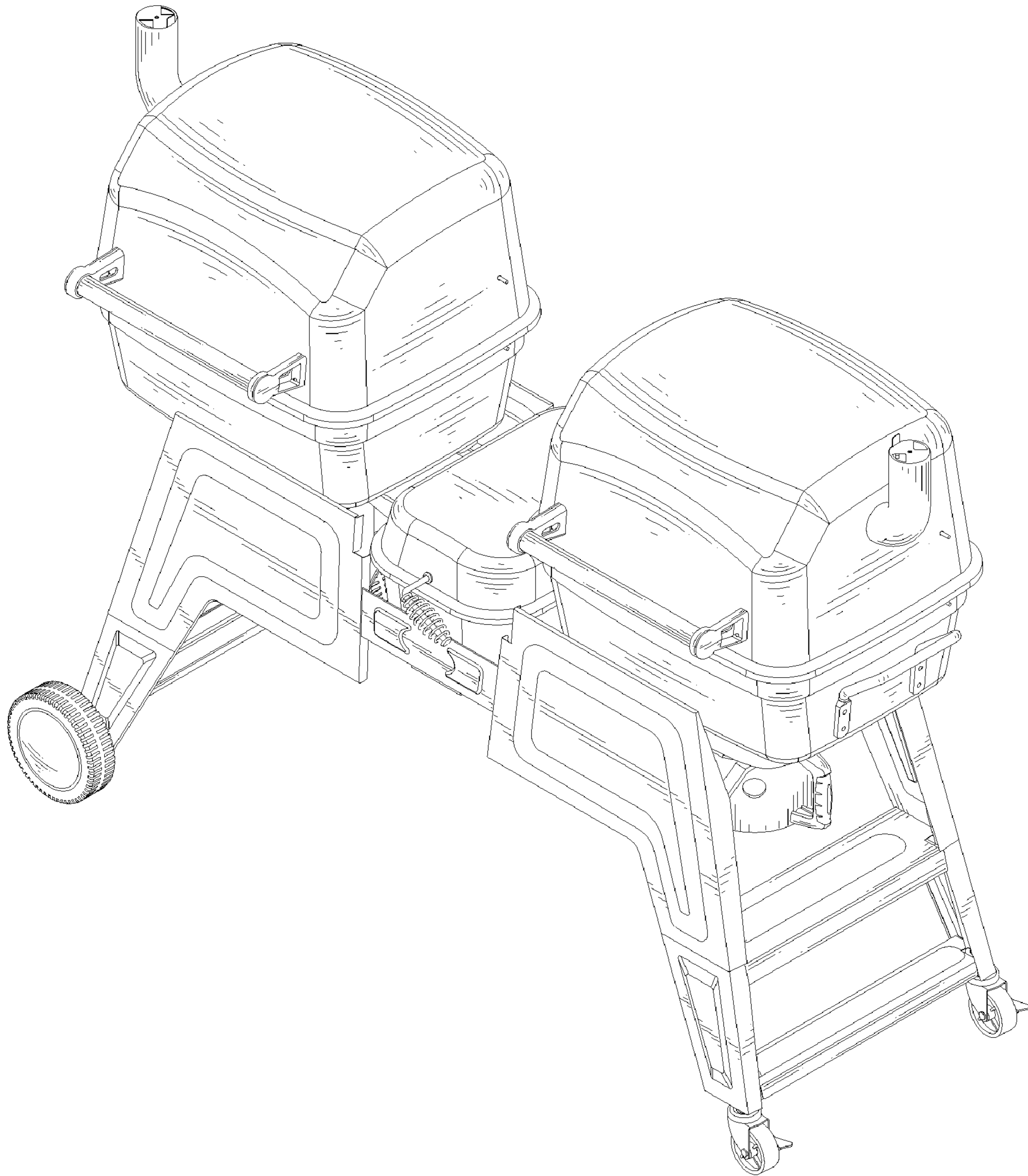


FIG. 1

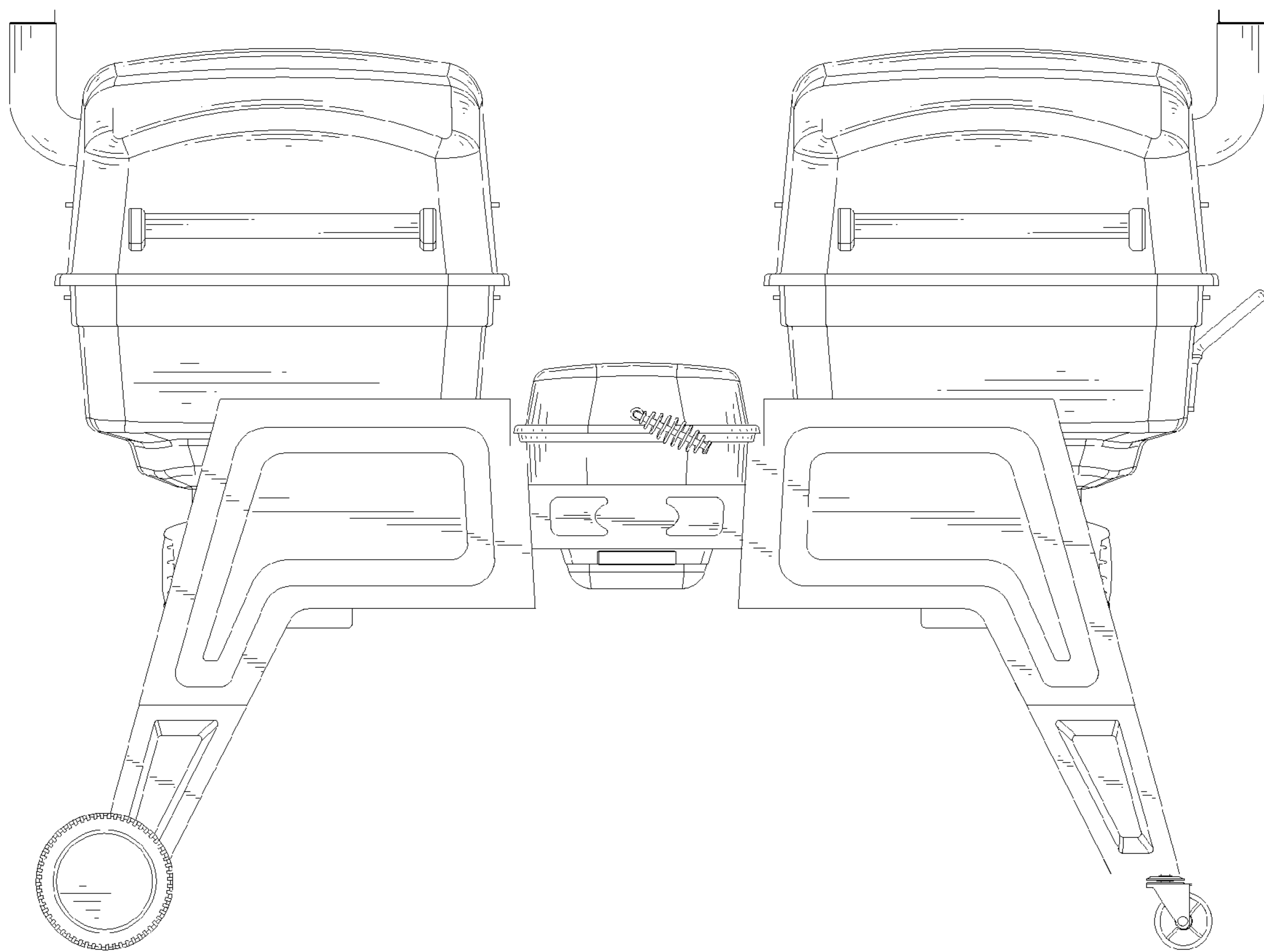


FIG. 2

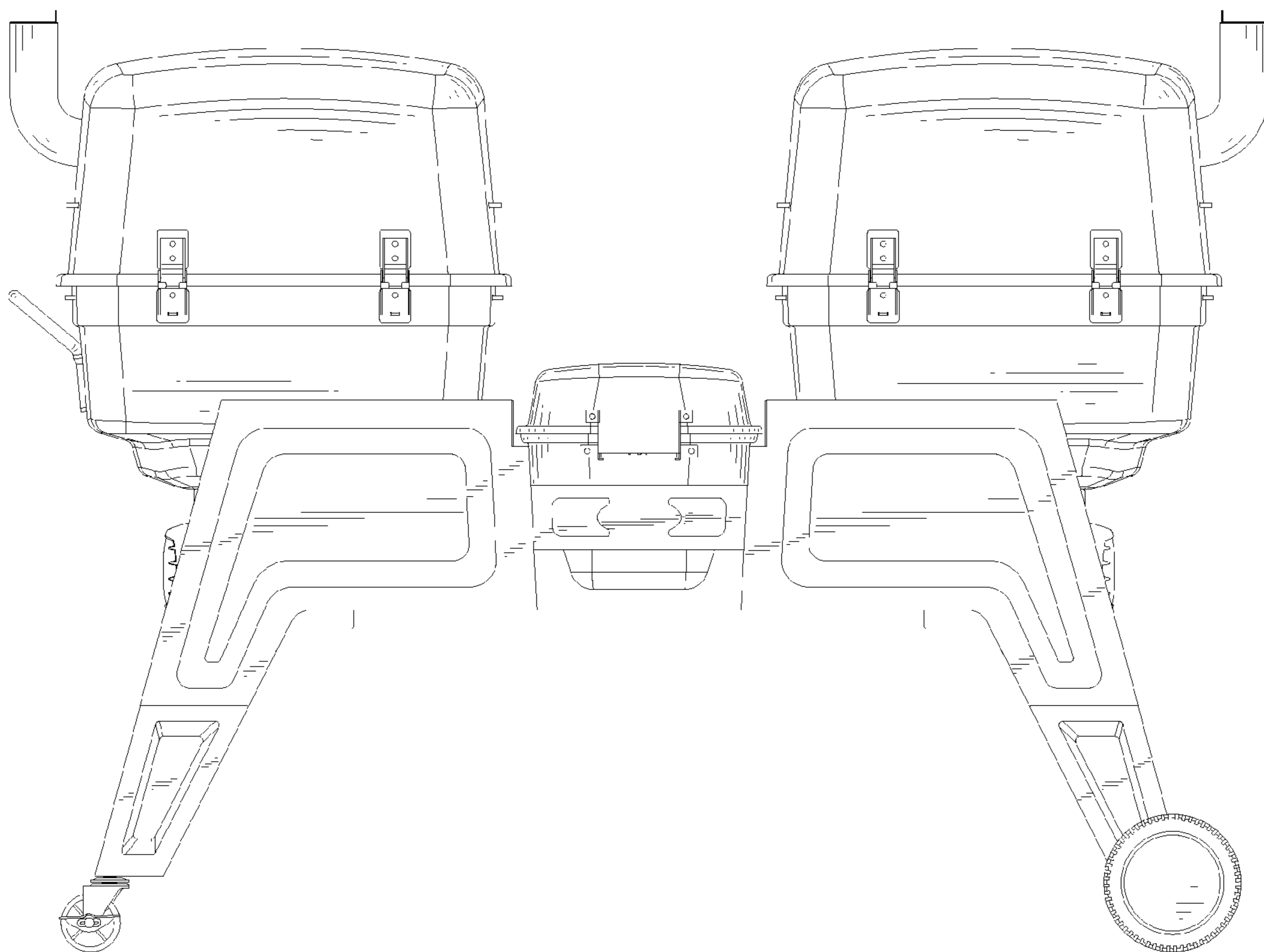


FIG. 3

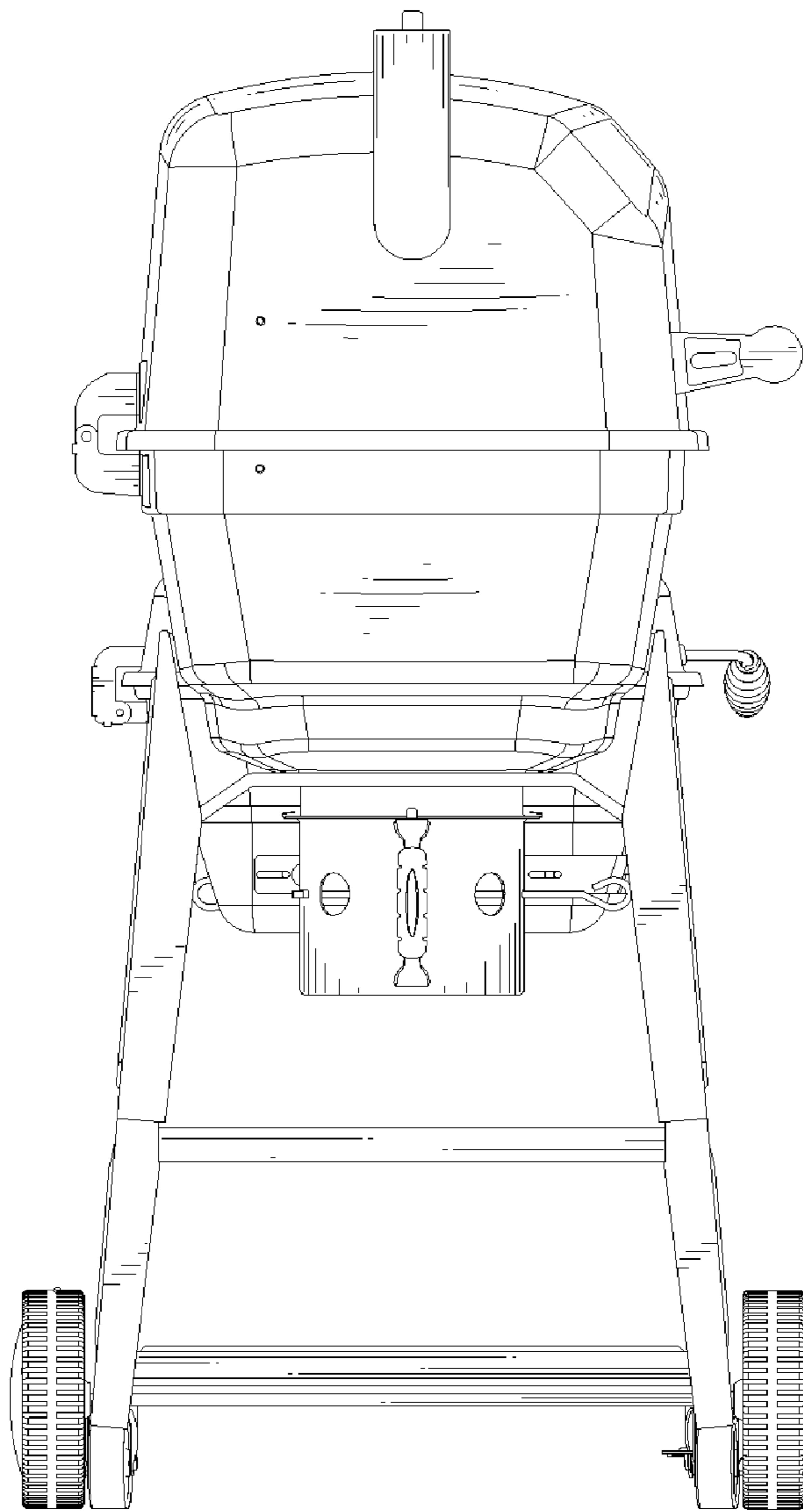


FIG. 4



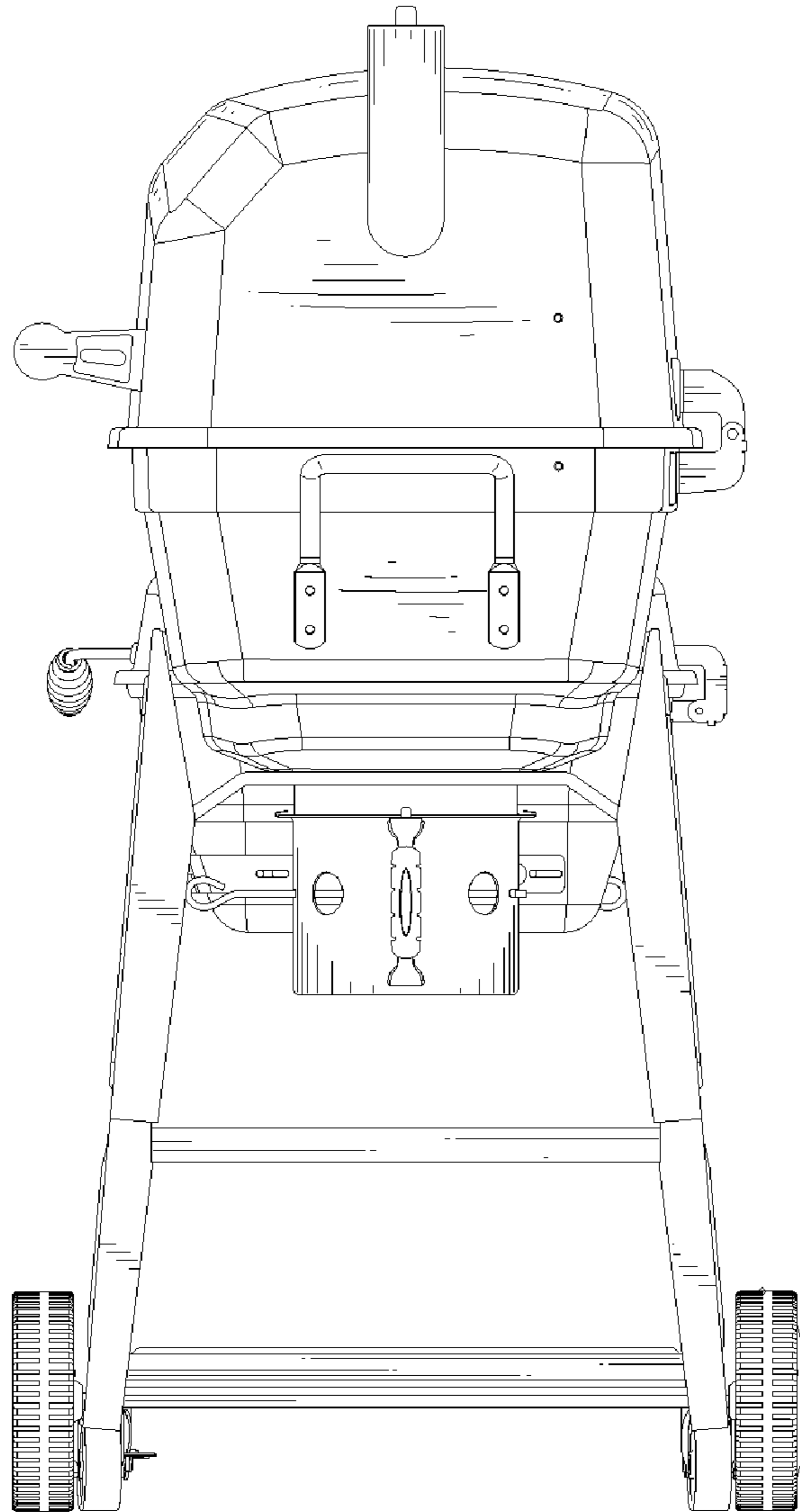


FIG. 5

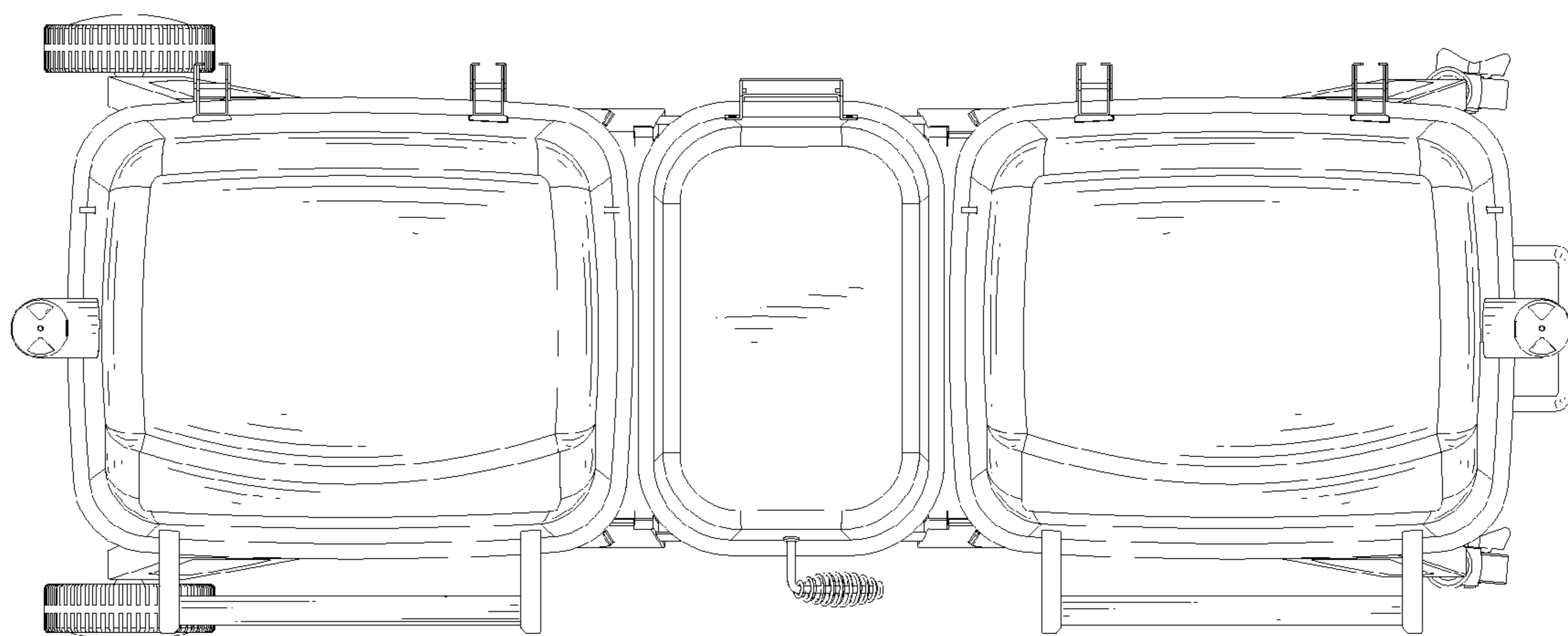


FIG. 6

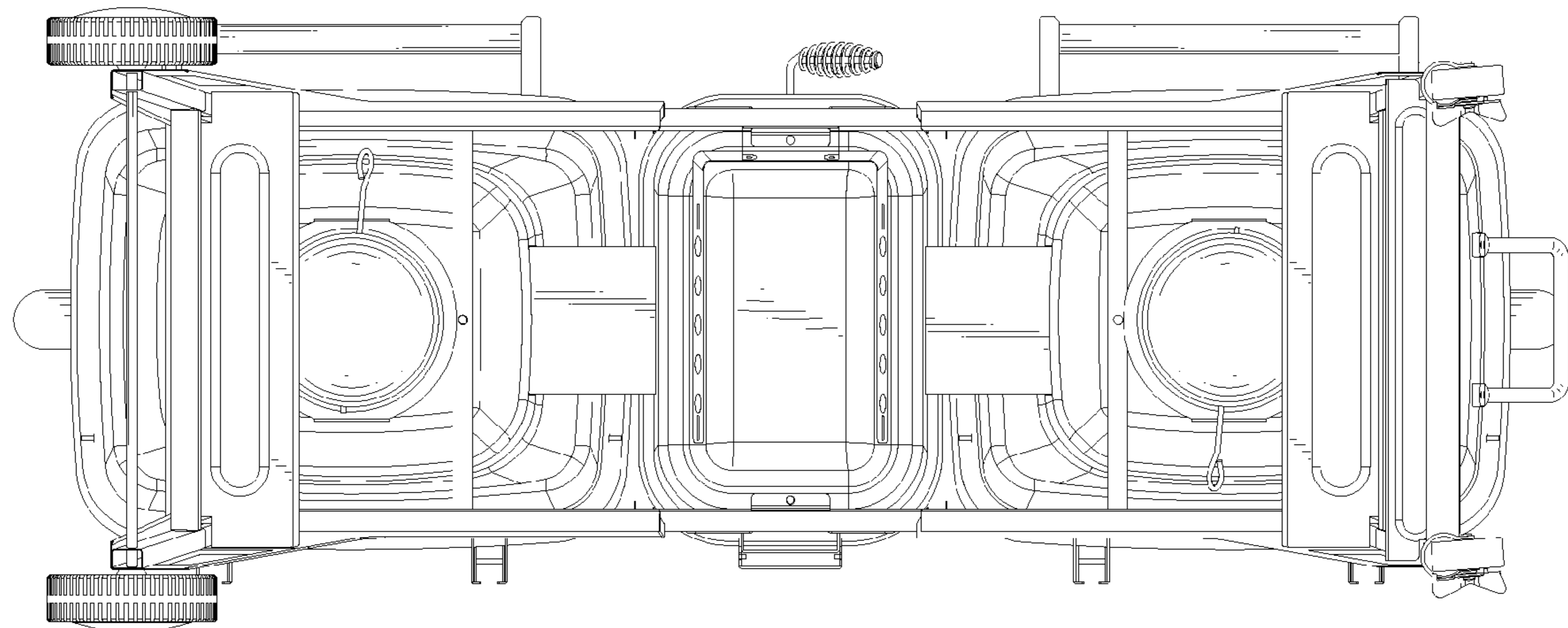


FIG. 7