



US00D552404S

(12) **United States Design Patent**
Bodum

(10) **Patent No.:** **US D552,404 S**

(45) **Date of Patent:** **** Oct. 9, 2007**

(54) **TEAPOT**

(75) Inventor: **Jørgen Bodum**, St. Niklausen (CH)

(73) Assignee: **Pi-Design AG**, Triengen (CH)

(**) Term: **14 Years**

(21) Appl. No.: **29/231,736**

(22) Filed: **Jun. 9, 2005**

(30) **Foreign Application Priority Data**

Dec. 9, 2004 (DK) DA 2004 00392

(51) **LOC (8) Cl.** **07-01**

(52) **U.S. Cl.** **D7/321; D7/312**

(58) **Field of Classification Search** D7/300,
D7/312, 321; 222/108; 220/298; D21/525;
99/317

See application file for complete search history.

(56) **References Cited**

U.S. PATENT DOCUMENTS

D1,419 S *	5/1861	Young	D7/321
D19,256 S *	8/1889	Jeffords	D7/322
1,563,155 A *	11/1925	Buckingham	99/322
1,571,116 A *	1/1926	Green et al.	222/108
1,572,082 A *	2/1926	Ränge	220/326
1,736,381 A *	11/1929	Thompson	99/322
1,758,407 A *	5/1930	Parkinson	99/317
1,886,415 A *	11/1932	Mitchell	99/295
2,093,980 A *	9/1937	Linger	99/285
2,105,201 A *	1/1938	Richheimer	220/298
2,214,623 A *	9/1940	Millen	222/481
D172,077 S *	5/1954	Barnhart	D7/321

D185,054 S *	4/1959	Winans	D7/321
3,939,550 A *	2/1976	Winslow	29/458
D289,001 S *	3/1987	Thurlo	D7/321
D343,759 S *	2/1994	Jorgensen	D7/318
D380,336 S *	7/1997	Zive	D7/321
D411,405 S *	6/1999	Thurlo	D7/321
D415,648 S *	10/1999	Joergensen	D7/317
6,513,683 B1 *	2/2003	Kull	222/465.1
D486,989 S *	2/2004	Bodum	D7/321
D495,193 S *	8/2004	Moore et al.	D7/321

* cited by examiner

Primary Examiner—M. N. Pandozzi

(74) *Attorney, Agent, or Firm*—Cowan, Liebowitz & Latman PC

(57) **CLAIM**

The ornamental design for a teapot, as shown and described.

DESCRIPTION

FIG. 1 is a perspective view of the teapot showing my design thereof;

FIG. 2 is a front view thereof;

FIG. 3 is a rear view thereof;

FIG. 4 is a right side view thereof;

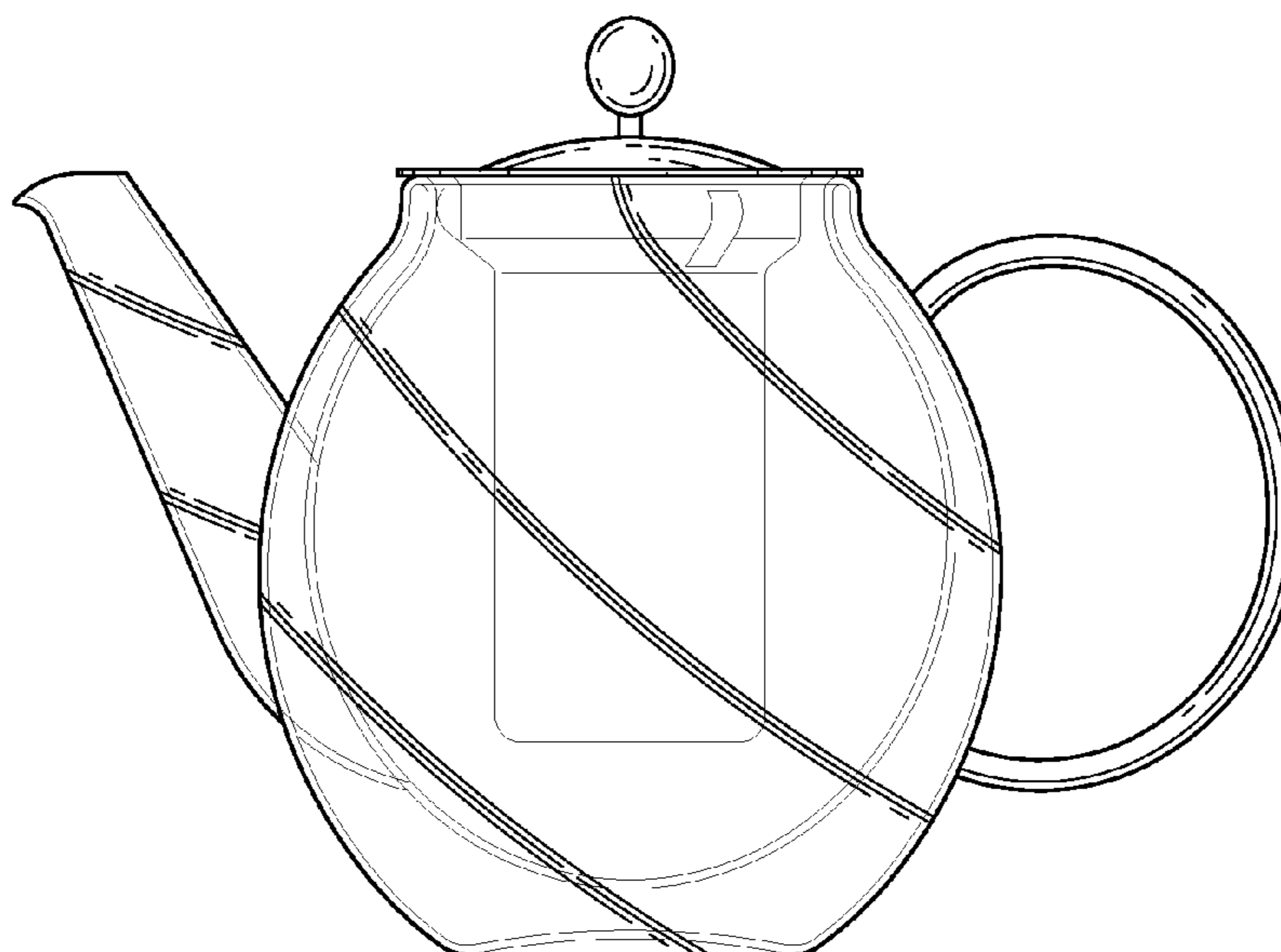
FIG. 5 is a left side view thereof;

FIG. 6 is a top view thereof;

FIG. 7 is a bottom view thereof; and,

FIG. 8 is a right side sectional view taken along line 8—8 of FIG. 6.

1 Claim, 8 Drawing Sheets



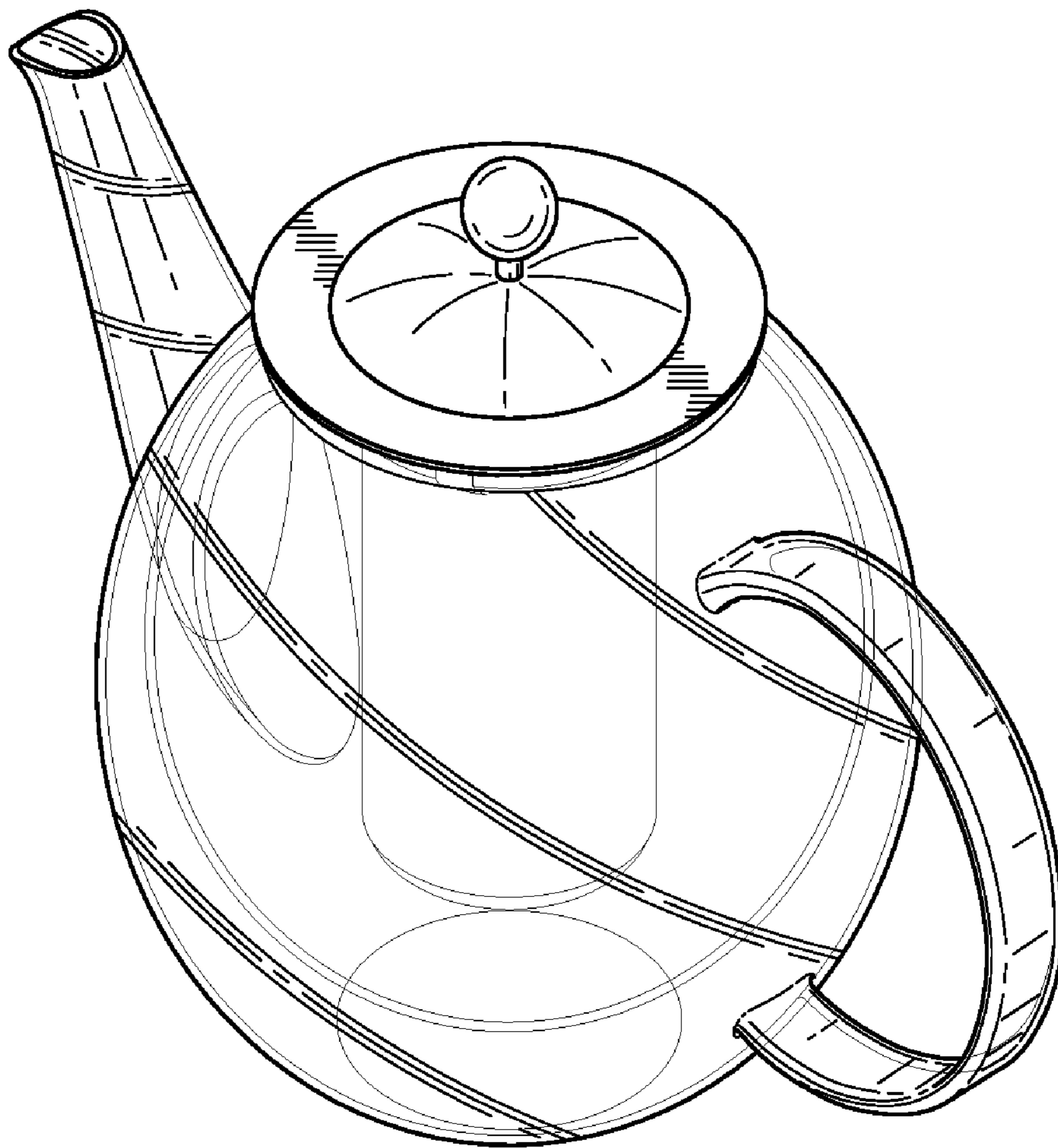


FIG. 1

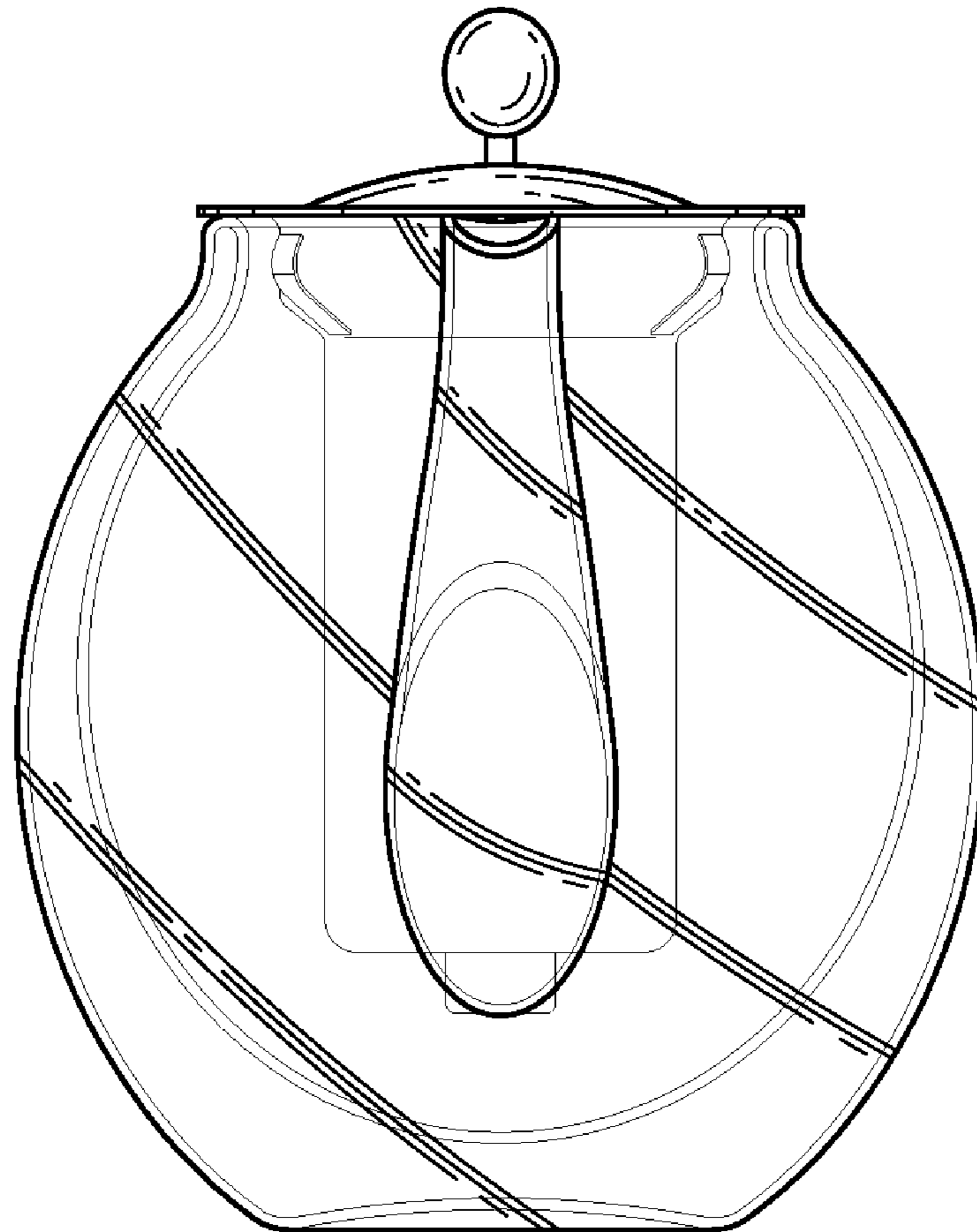


FIG. 2

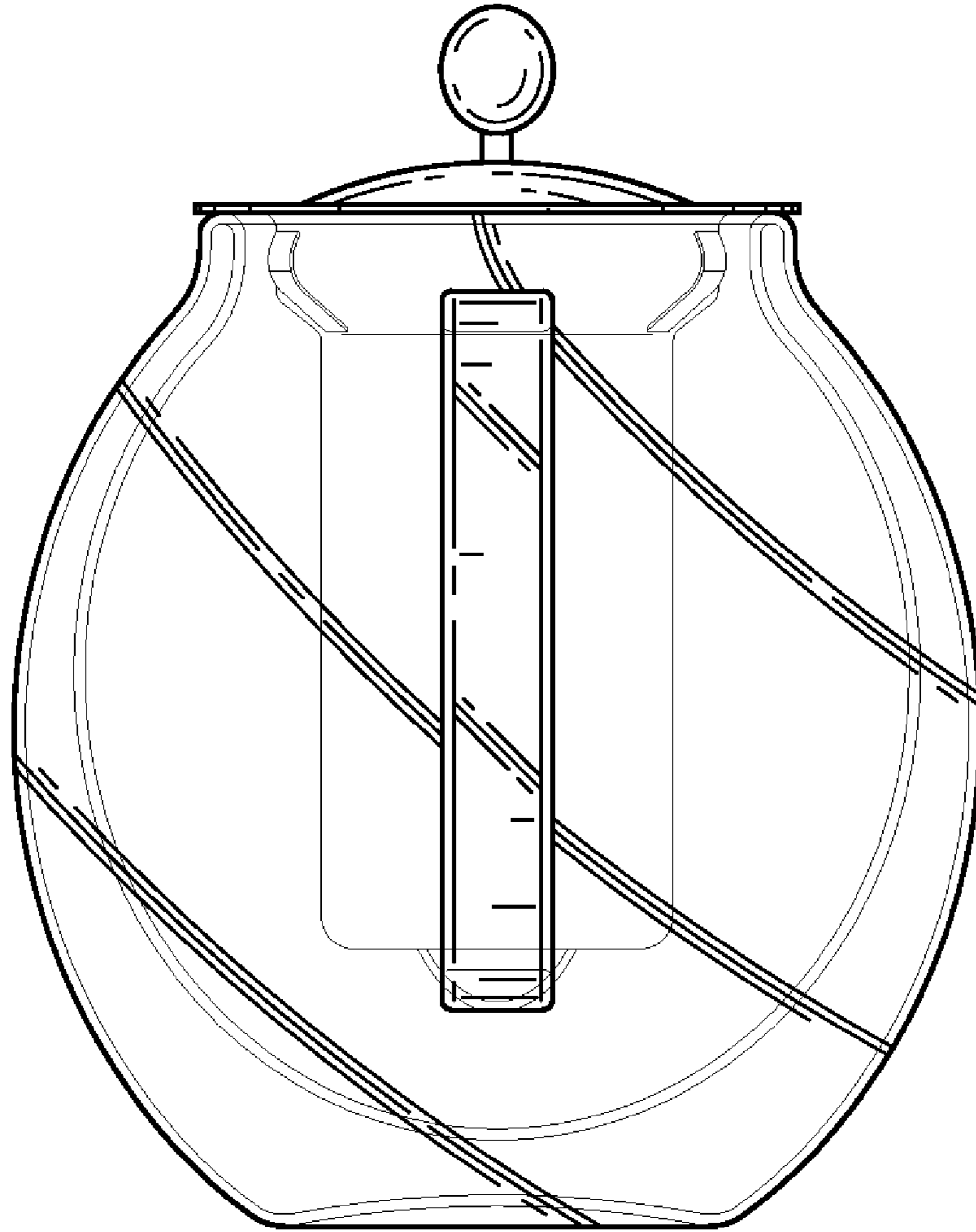


FIG. 3

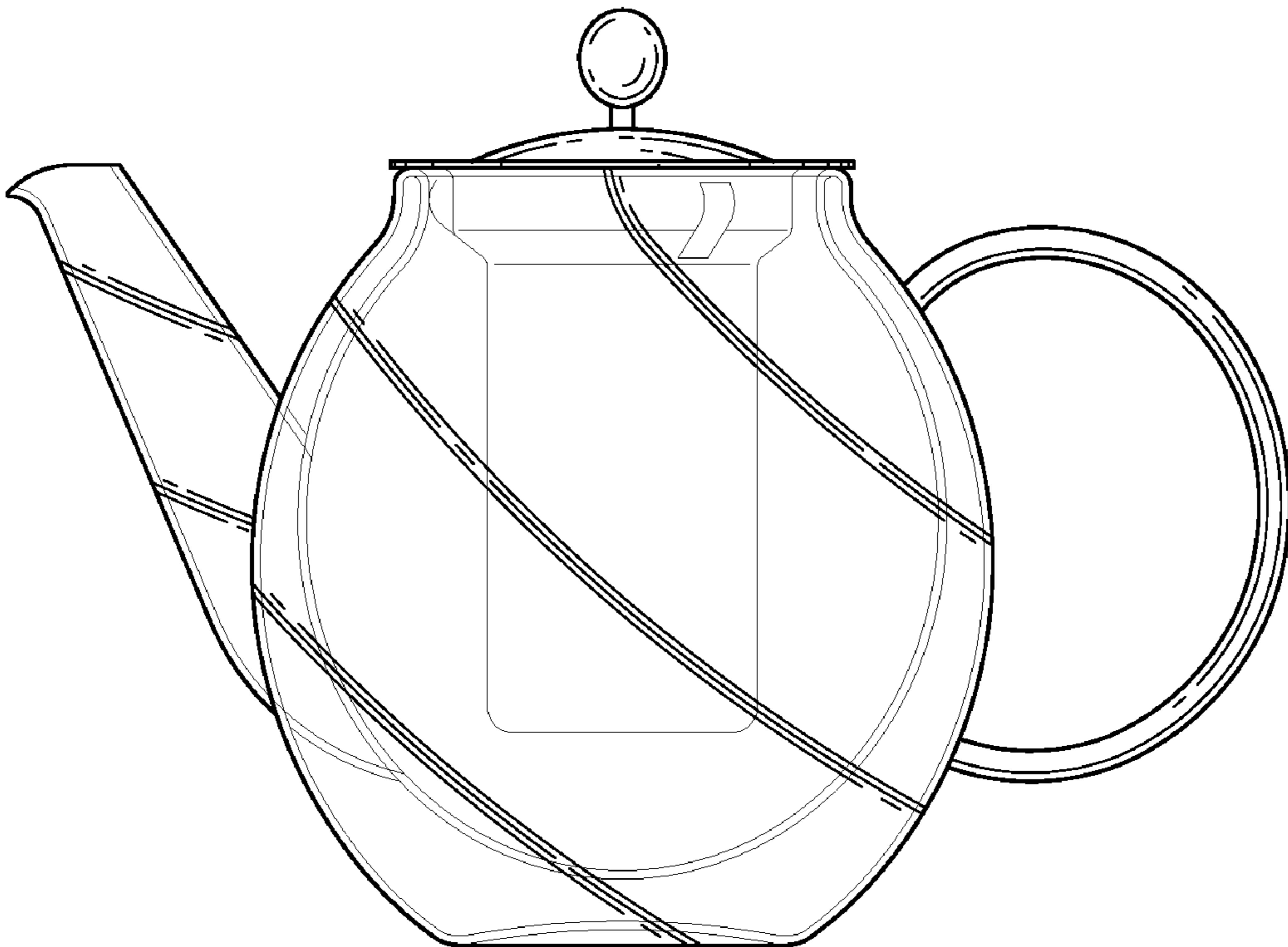


FIG. 4

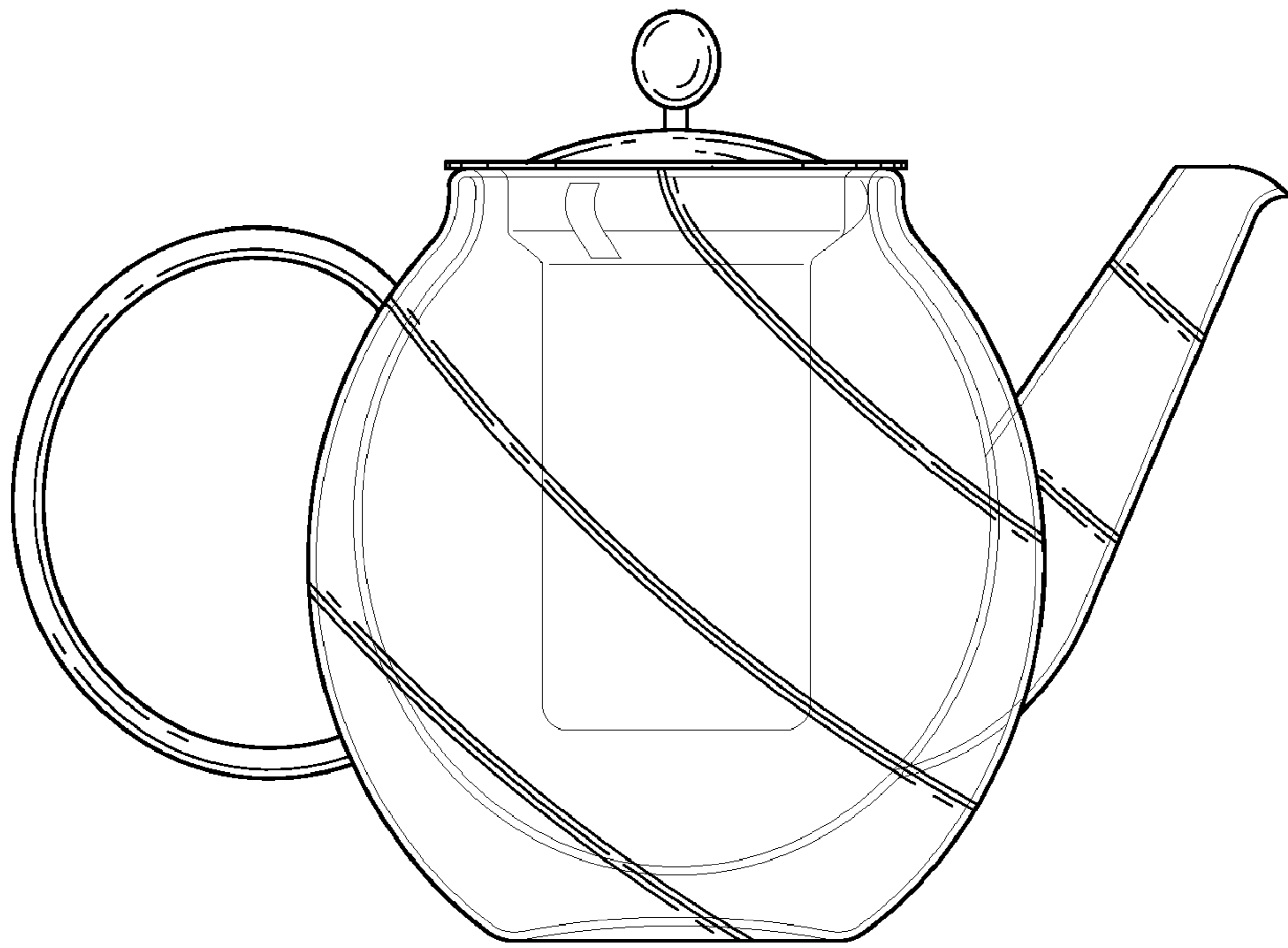


FIG. 5

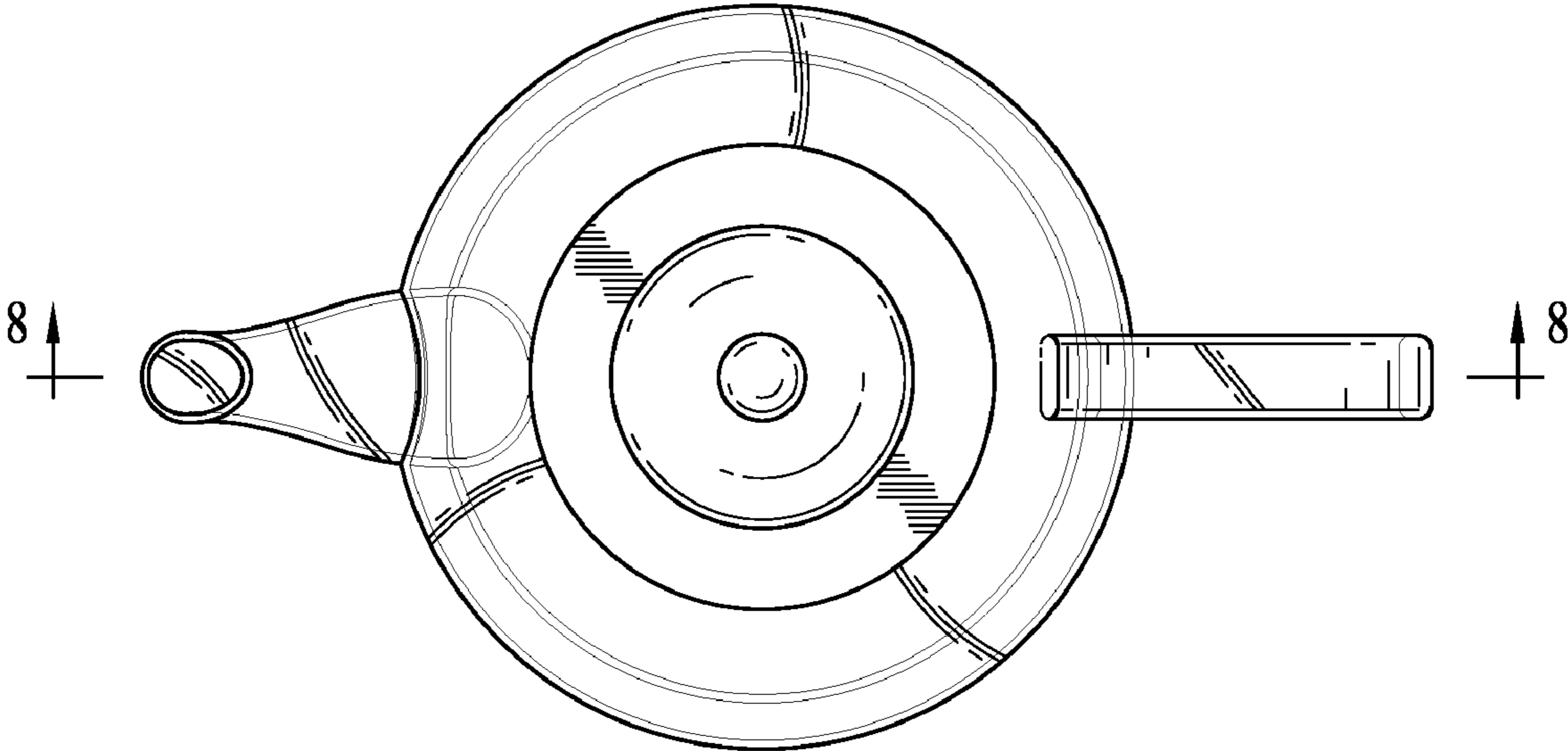


FIG. 6

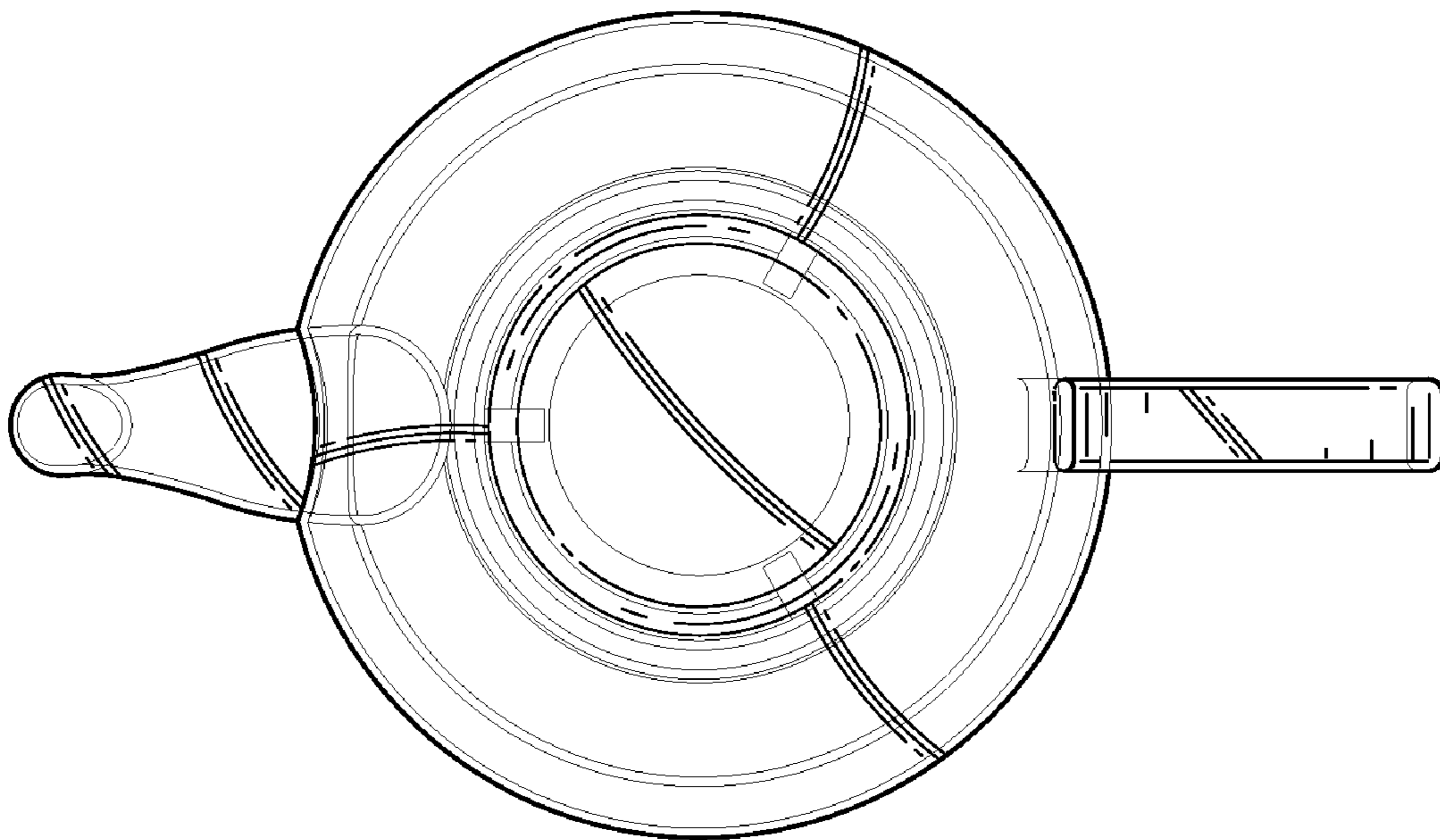


FIG. 7

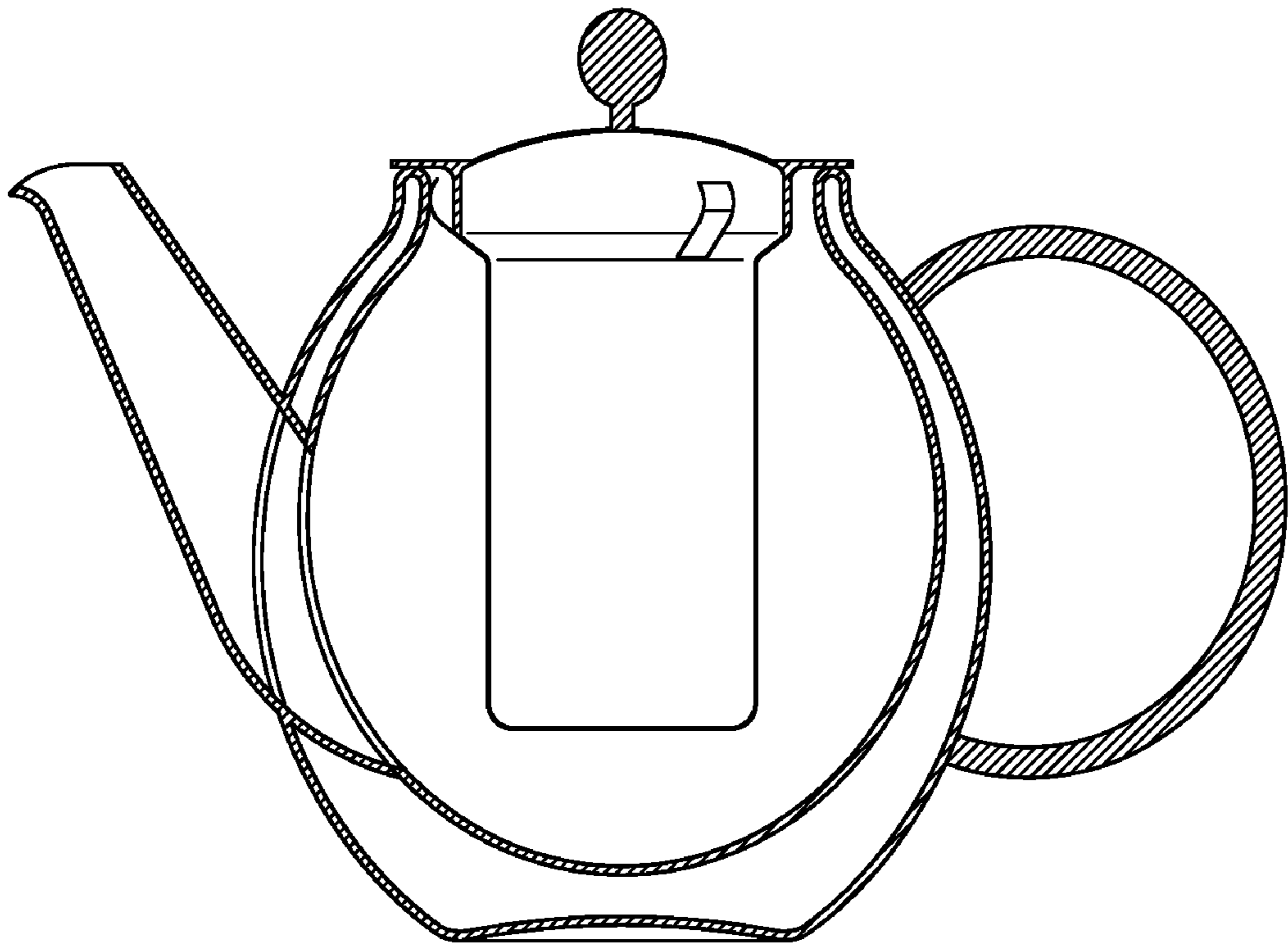


FIG. 8