



US00D552403S

(12) **United States Design Patent**
Renner et al.

(10) **Patent No.:** **US D552,403 S**
(45) **Date of Patent:** **** Oct. 9, 2007**

(54) **INSULATED POT**

(75) Inventors: **Reinhard Renner**, Esslingen (DE);
Berno Woersdoerfer, Obererbach (DE);
Jens Gerhardt, Koblenz (DE)

(73) Assignee: **Leifheit AG**, Nassau/Lahn (DE)

(**) Term: **14 Years**

(21) Appl. No.: **29/252,818**

(22) Filed: **Jan. 26, 2006**

(30) **Foreign Application Priority Data**

Jul. 27, 2005 (DE) 4 05 03 905
Sep. 8, 2005 (EM) 000397823-0001

(51) **LOC (8) Cl.** **07-01**

(52) **U.S. Cl.** **D7/317; D7/319**

(58) **Field of Classification Search** D7/300,
D7/316-319, 321, 311; 99/323.3, 307, 285;
215/12.1, 13.1; 222/505, 131, 470, 144.5,
222/566, 567, 25, 23, 188, 472, 465.1; 220/4.01,
220/504, 555, 696, 695; 210/85, 121, 282,
210/232; D23/209; 62/457.3, 457.2; 206/459.5;
248/111; D10/46.3; D32/53.1, 53
See application file for complete search history.

(56) **References Cited**

U.S. PATENT DOCUMENTS

D184,715 S * 3/1959 Cornellius et al. D7/317

D201,839 S * 8/1965 Erkers D7/317
D276,584 S * 12/1984 Zimmermann D7/317
D281,479 S * 11/1985 Zimmermann D7/317
D292,664 S * 11/1987 Zimmermann D7/317
D308,153 S * 5/1990 Collins D7/322
5,273,194 A * 12/1993 McNamara 222/470
D354,880 S * 1/1995 Huang D7/319
D384,238 S * 9/1997 Huang D7/319
D396,377 S * 7/1998 Tamura D7/319
D483,599 S * 12/2003 Huang D7/319

* cited by examiner

Primary Examiner—M. N. Pandozzi

(74) *Attorney, Agent, or Firm*—Darby & Darby

(57) **CLAIM**

The ornamental design for an insulated pot, as shown and described.

DESCRIPTION

FIG. 1 is a right side view of the insulated pot, showing my new design, the left side view being the mirror image to the right side view;

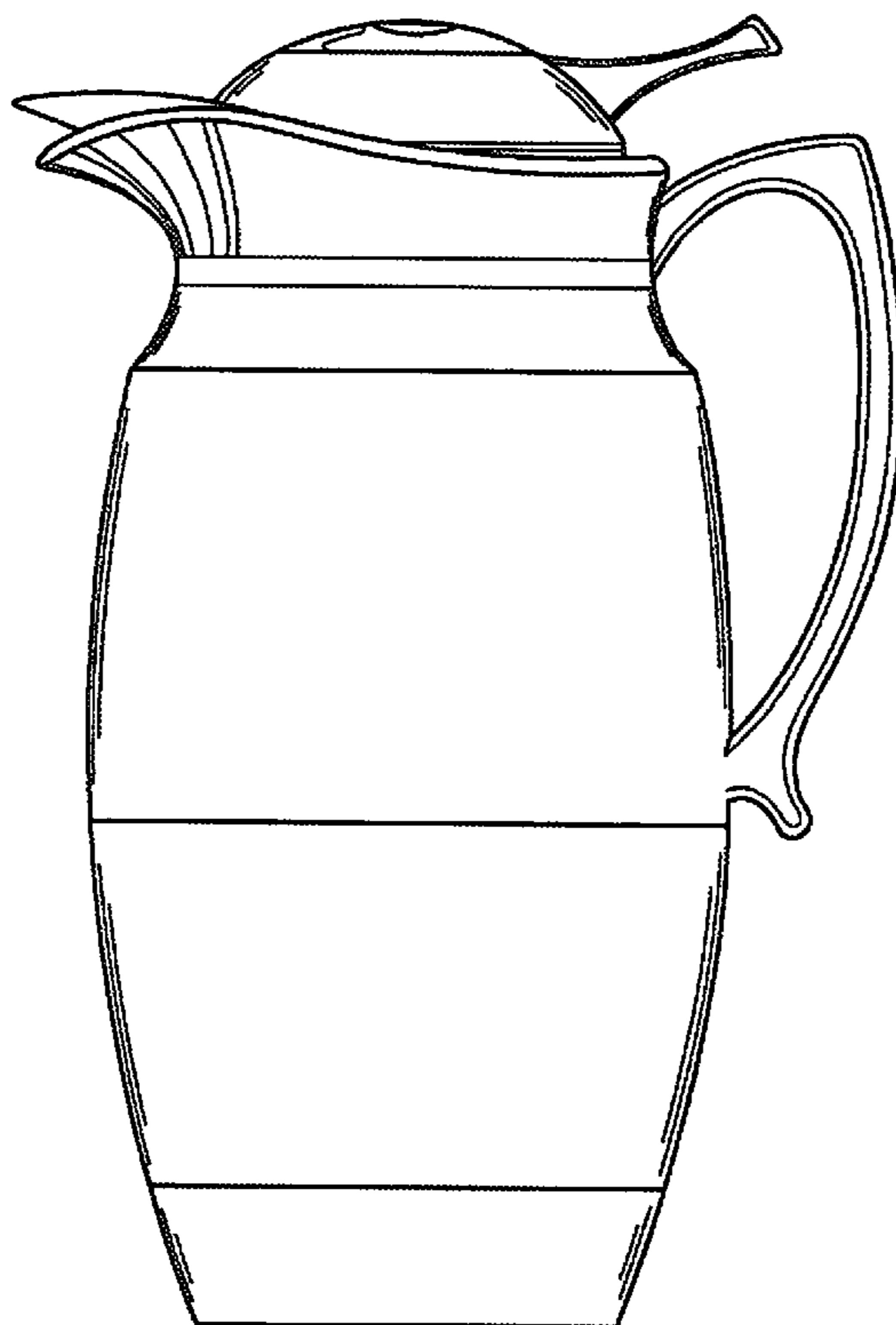
FIG. 2 is a bottom view thereof;

FIG. 3 is a top view thereof;

FIG. 4 is a front view thereof; and,

FIG. 5 is a back view thereof.

1 Claim, 4 Drawing Sheets



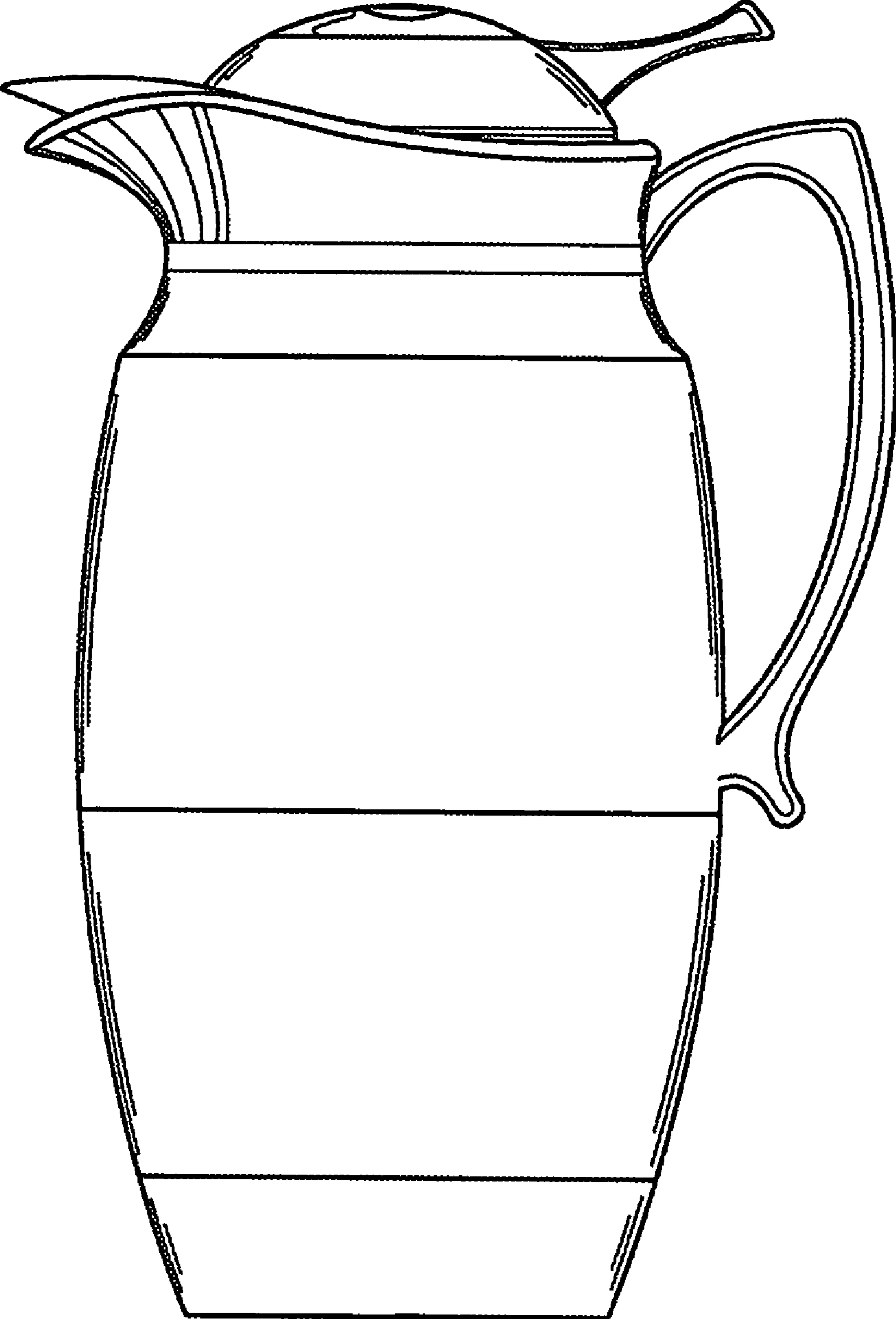


FIG. 1

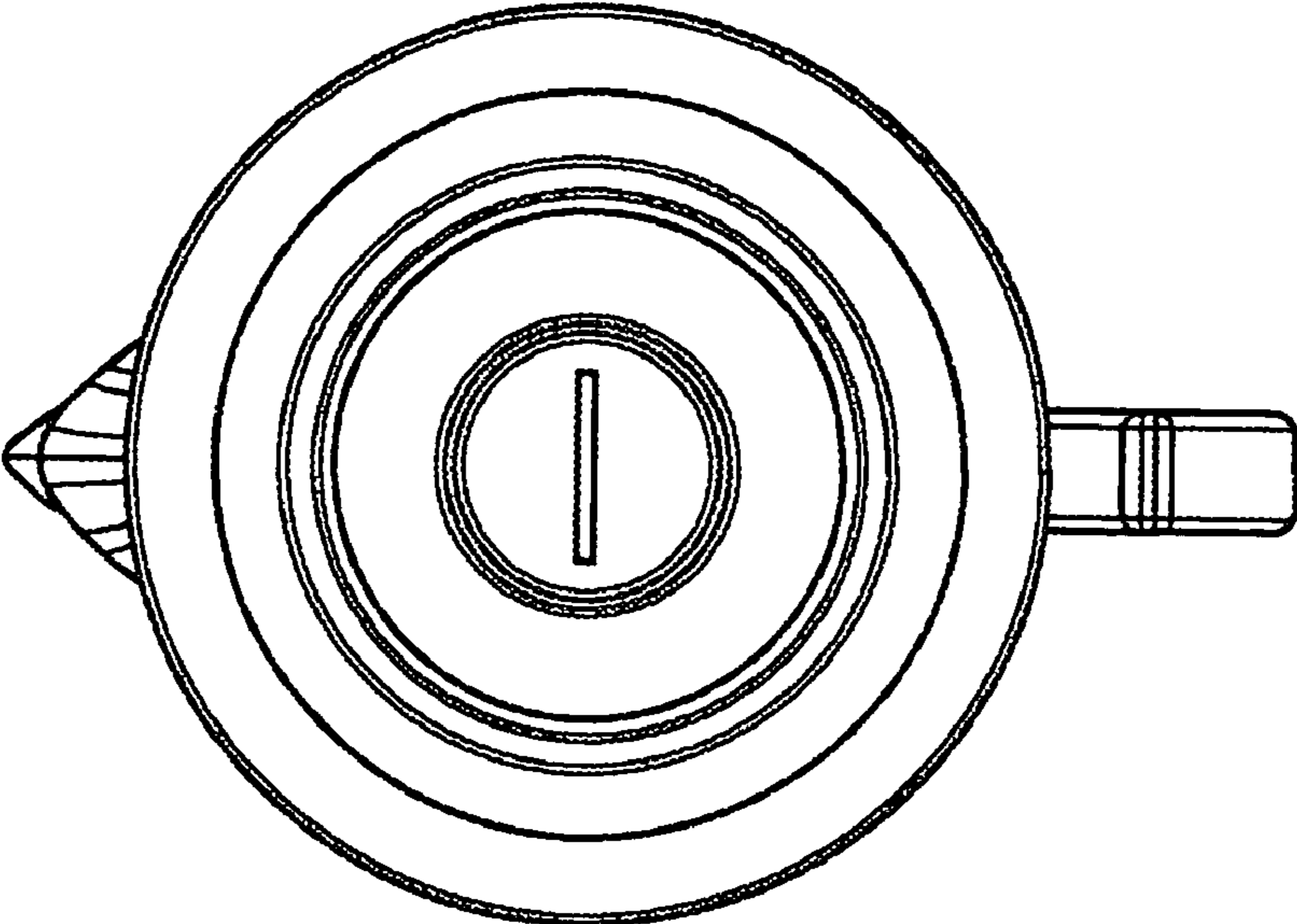


FIG. 2

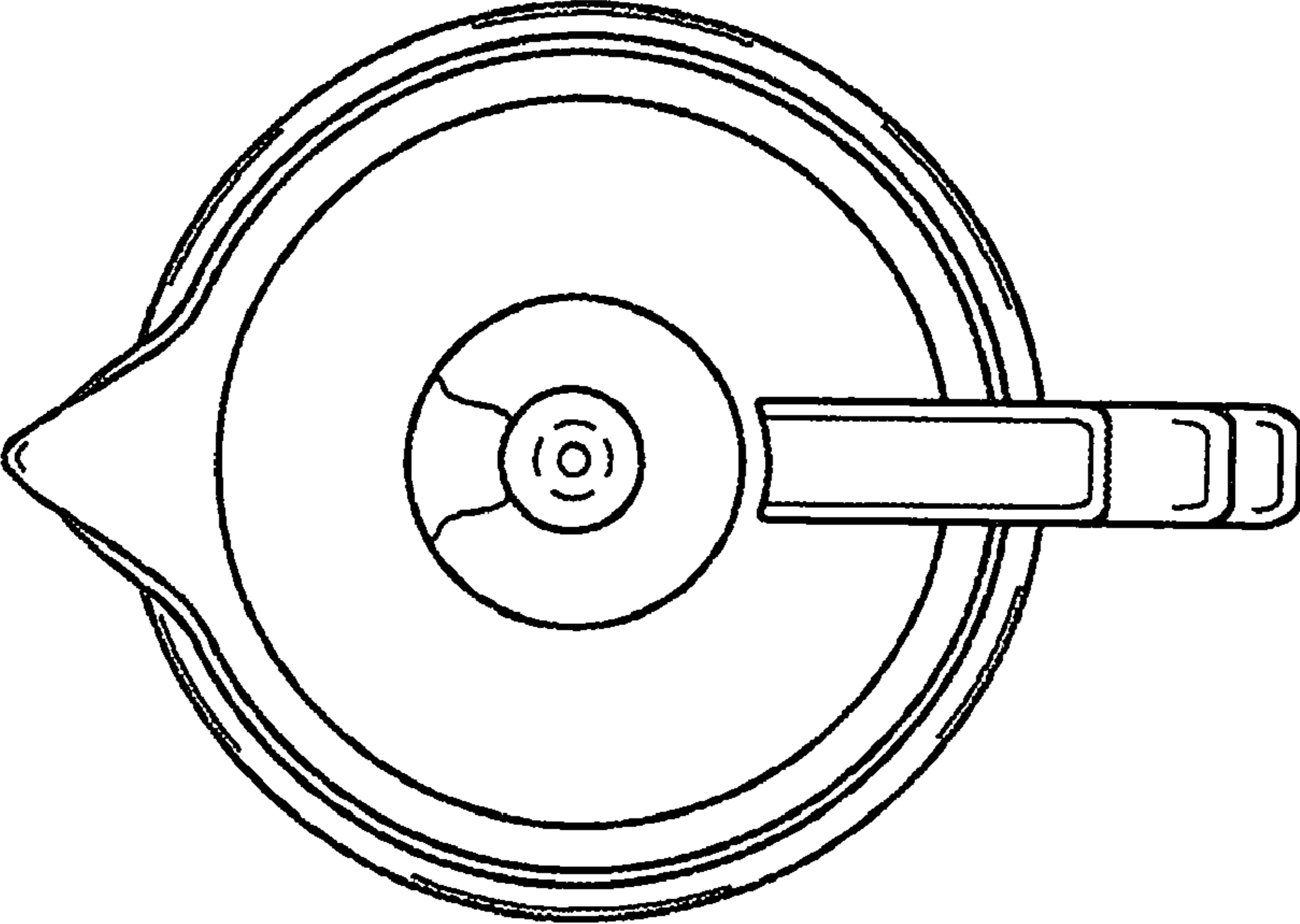


FIG. 3

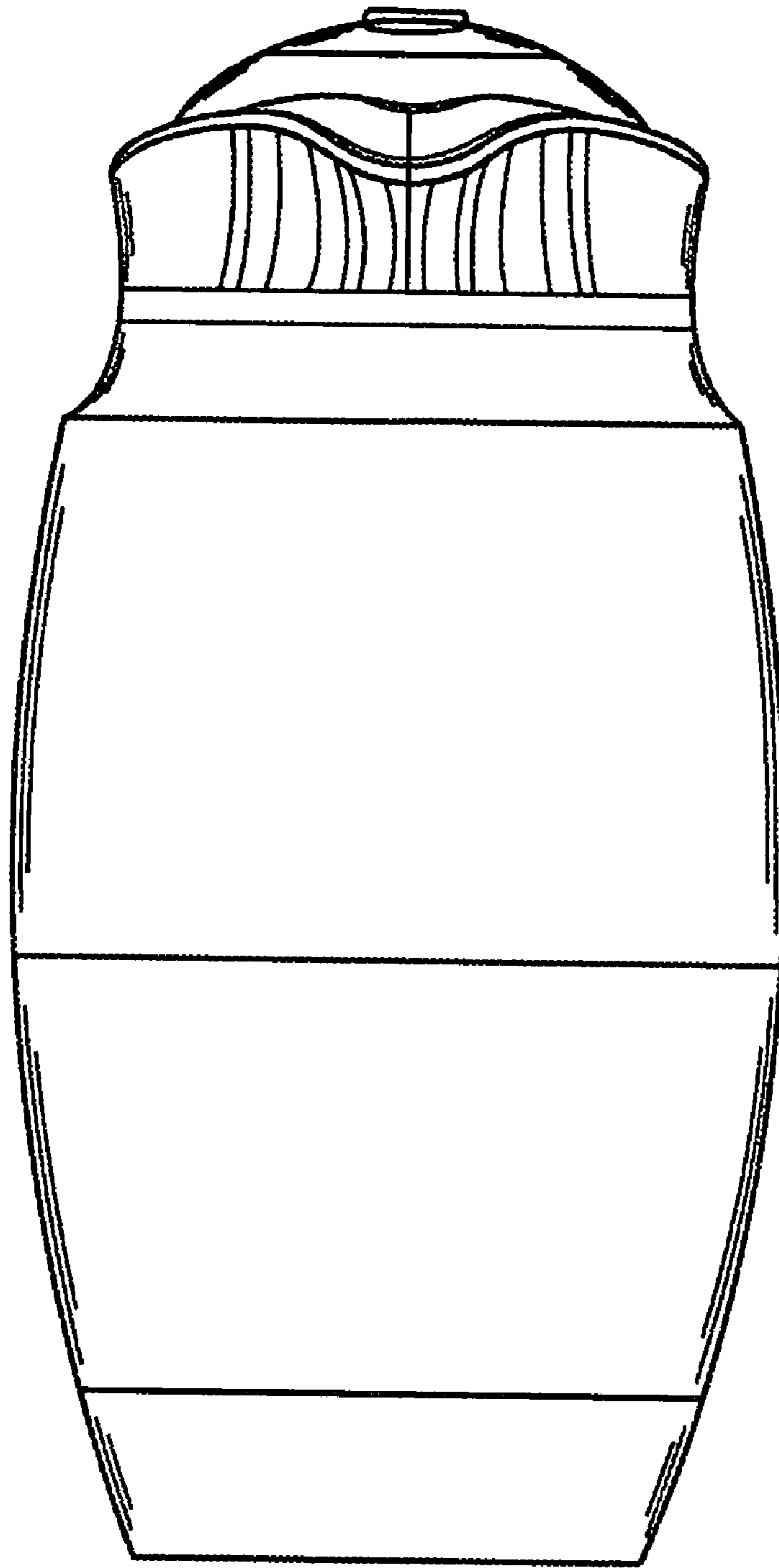


FIG. 4

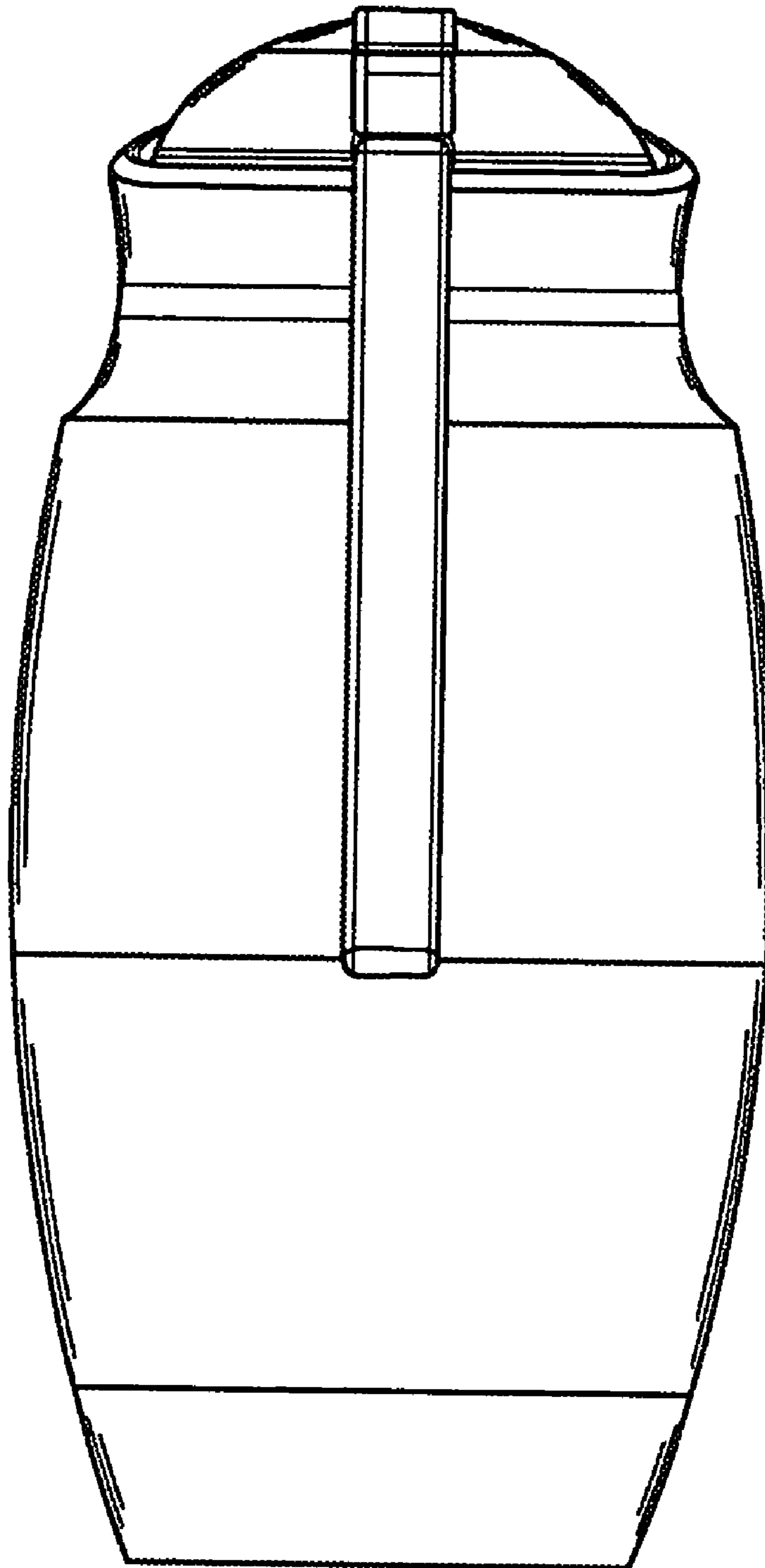


FIG. 5