



US00D552400S

(12) **United States Design Patent**
Huang

(10) **Patent No.:** **US D552,400 S**

(45) **Date of Patent:** **** Oct. 9, 2007**

(54) **CD AND DVD CARRYING CASE**

(76) Inventor: **Michael Huang**, 5001 Commerce Dr.,
Baldwin Park, CA (US) 91706

(**) Term: **14 Years**

(21) Appl. No.: **29/264,180**

(22) Filed: **Aug. 4, 2006**

(51) **LOC (8) Cl.** **06-02**

(52) **U.S. Cl.** **D6/633**

(58) **Field of Classification Search** D6/407,
D6/626-635; D3/294, 295, 299; D14/474,
D14/478, 477; 211/40, 41.1, 41.12; 206/307,
206/307.1, 308.1, 309, 311, 312, 313, 310,
206/751; 720/718-721; D19/75

See application file for complete search history.

(56) **References Cited**

U.S. PATENT DOCUMENTS

| | | | | |
|----------------|--------|-----------------|-------|-----------|
| D264,520 S * | 5/1982 | Garrett | | D3/295 |
| 4,577,756 A * | 3/1986 | Hennessy et al. | | 206/308.3 |
| D394,182 S * | 5/1998 | Woolrich | | D6/632 |
| 6,386,655 B1 * | 5/2002 | Hung et al. | | 312/9.42 |
| D484,694 S * | 1/2004 | Leen | | D3/273 |
| D501,114 S * | 1/2005 | Wong | | D6/632 |

| | | | | |
|--------------|--------|----------------|-------|--------|
| D509,397 S * | 9/2005 | Wong | | D6/631 |
| D525,068 S * | 7/2006 | Bennett et al. | | D6/632 |

* cited by examiner

Primary Examiner—Ian Simmons

Assistant Examiner—Charles D Hanson

(74) *Attorney, Agent, or Firm*—Chan Law Group

(57) **CLAIM**

The ornamental design for a CD and DVD carrying case, as shown and described.

DESCRIPTION

FIG. 1 is a front perspective view of a CD and DVD carrying case showing my new design.

FIG. 2 is a left side view thereof.

FIG. 3 is a right side view thereof.

FIG. 4 is a front view thereof.

FIG. 5 is a rear view thereof.

FIG. 6 is a top view thereof.

FIG. 7 is a bottom view thereof; and,

FIG. 8 is perspective view thereof, in an opened condition with handle extended.

1 Claim, 4 Drawing Sheets

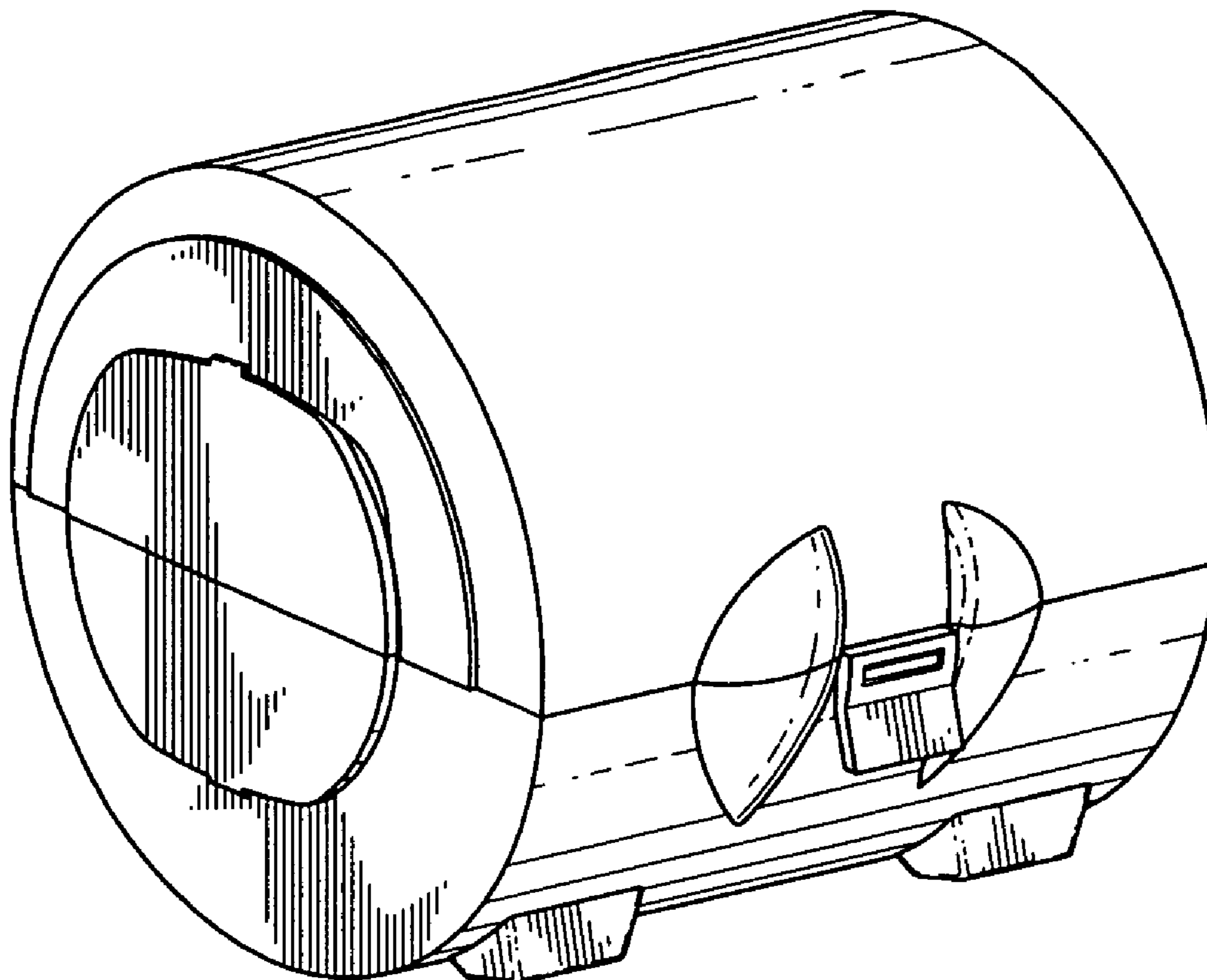


FIG. 1

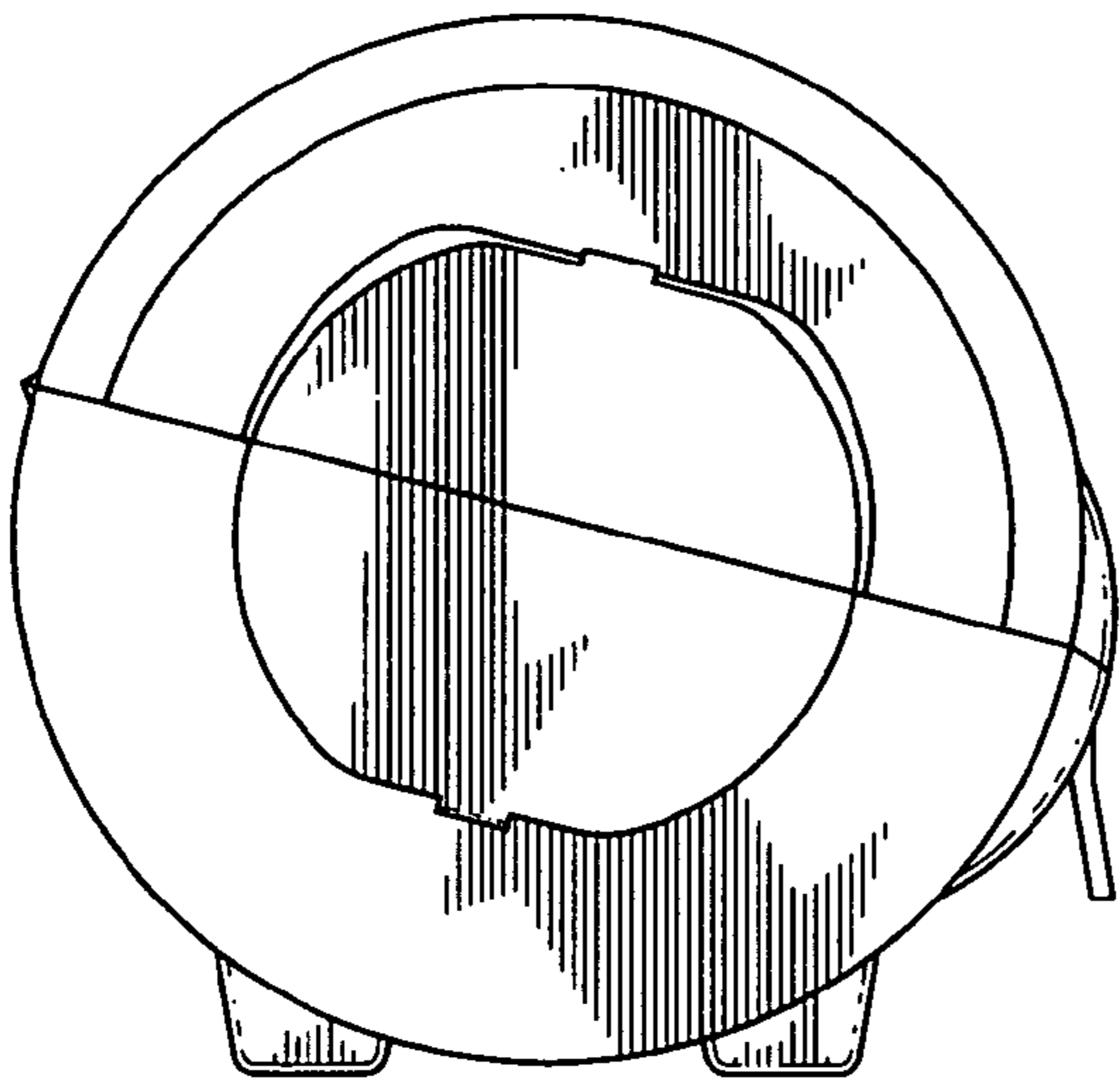
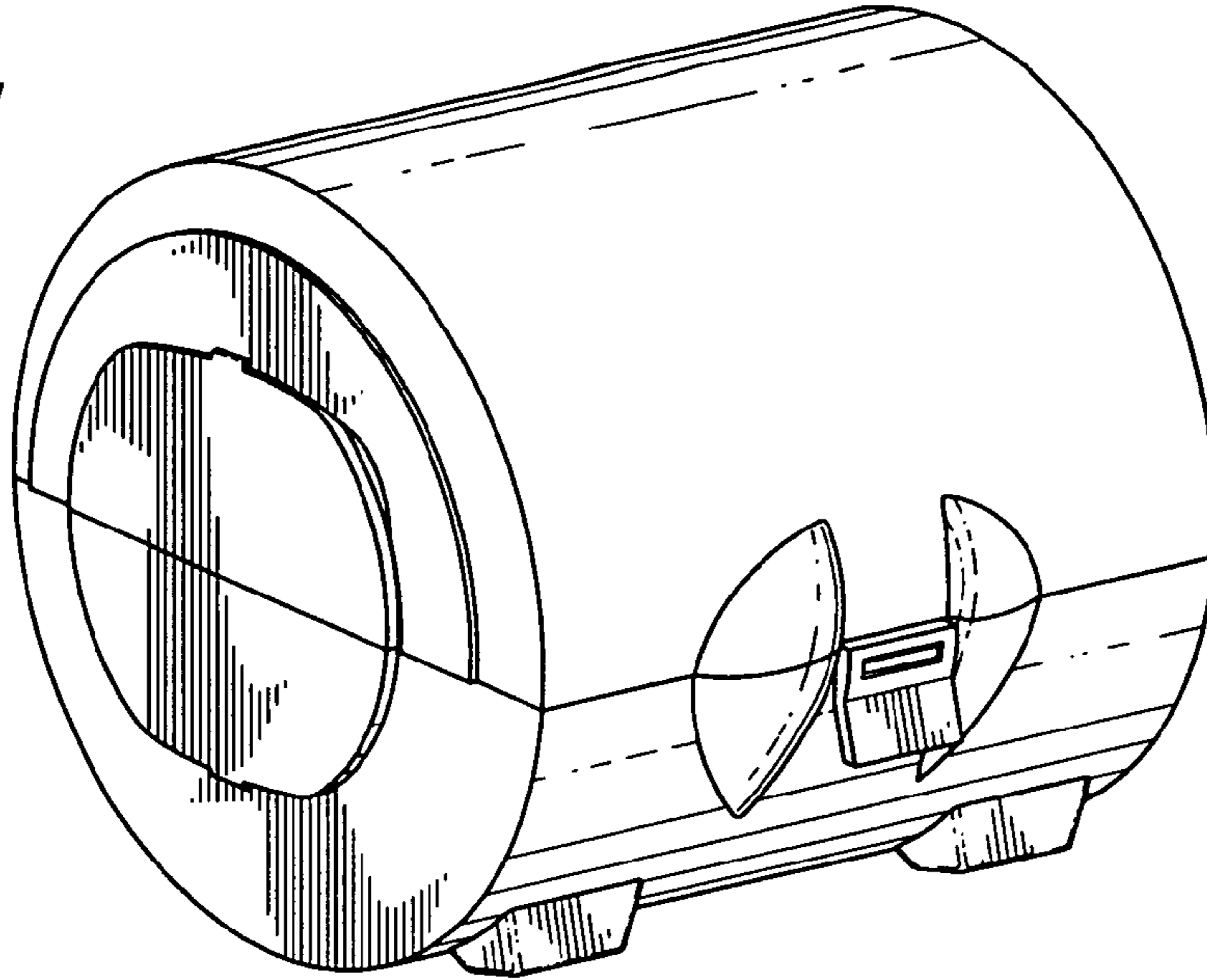


FIG. 2

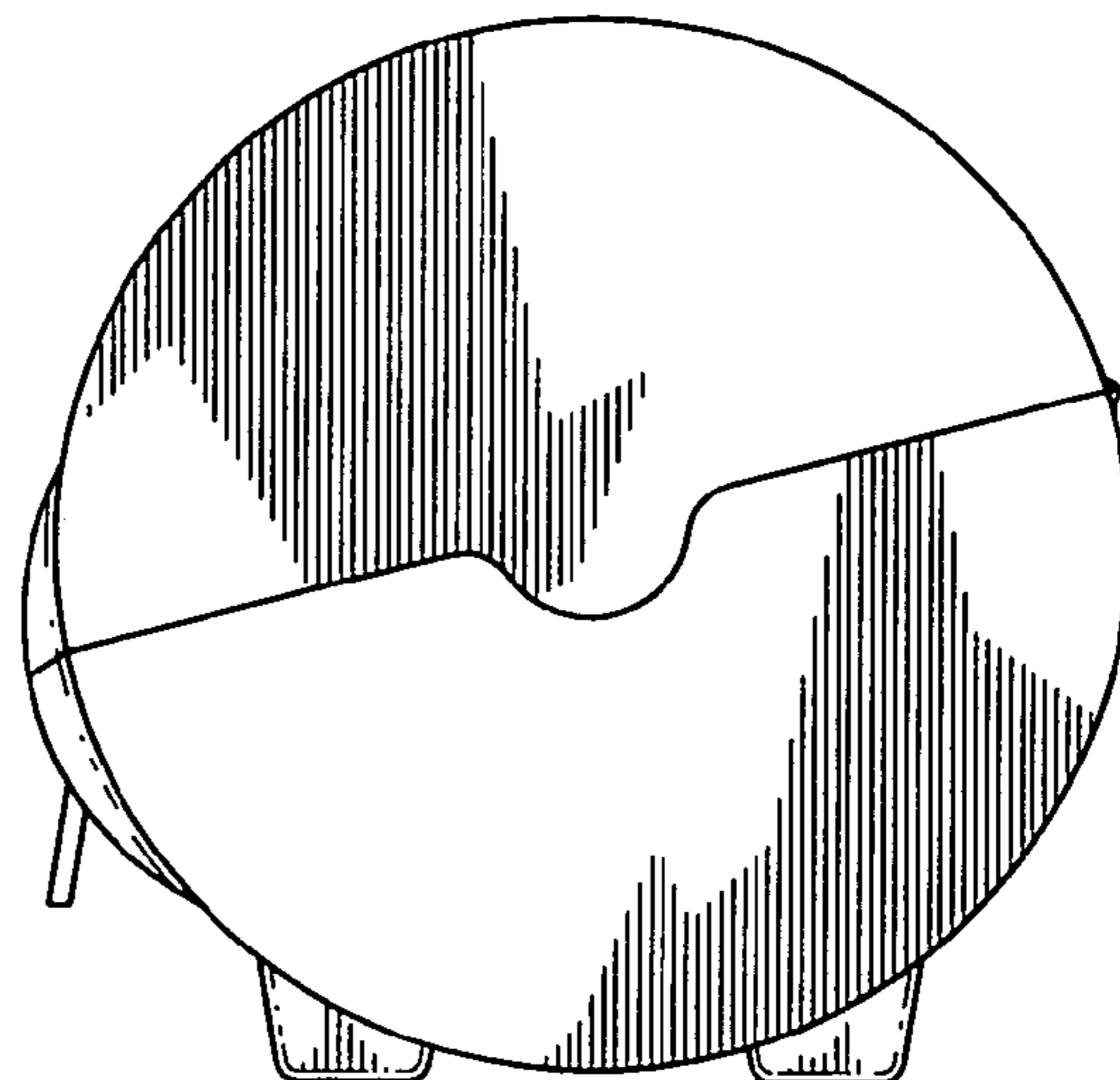


FIG. 3

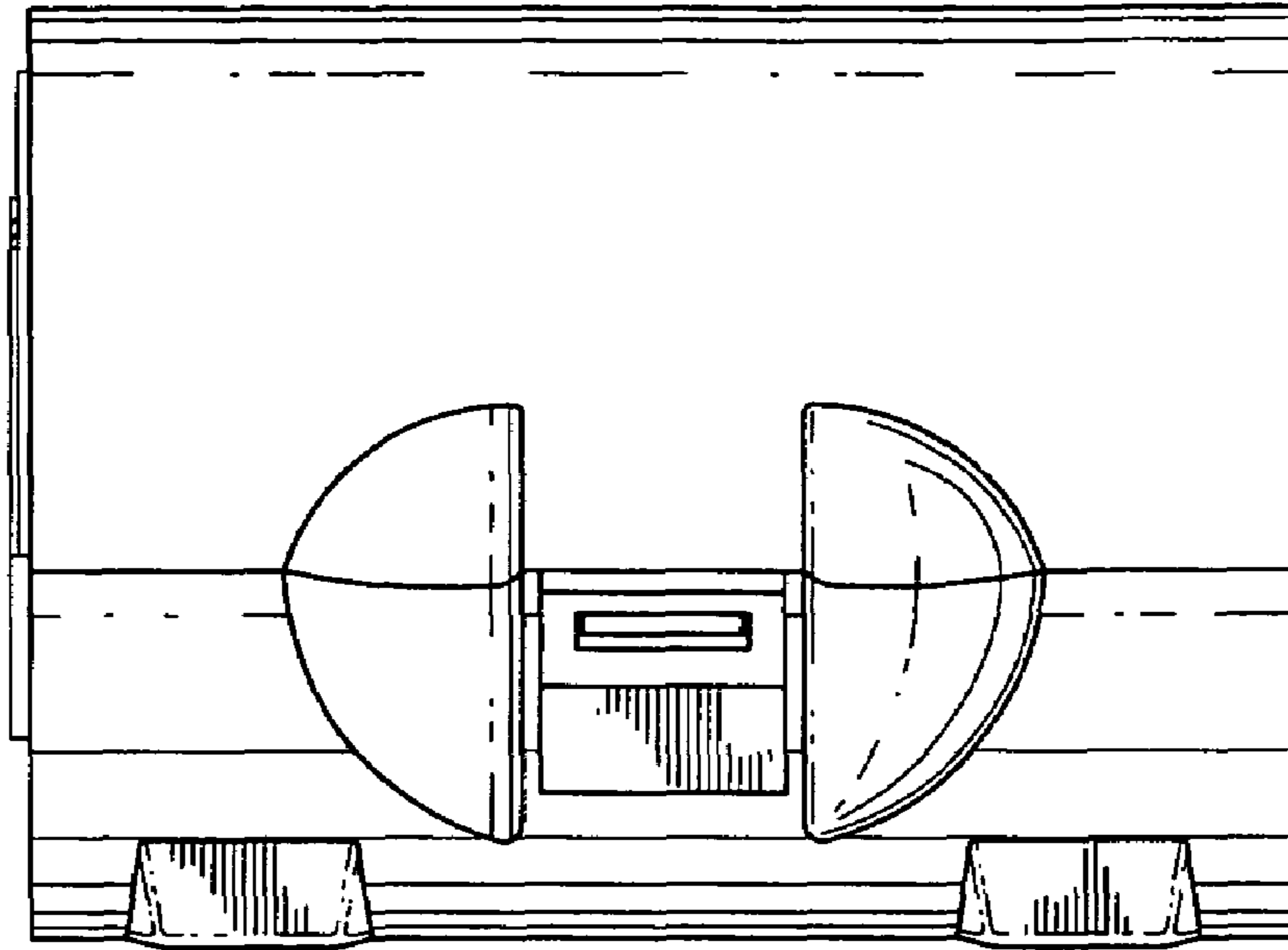


FIG. 4

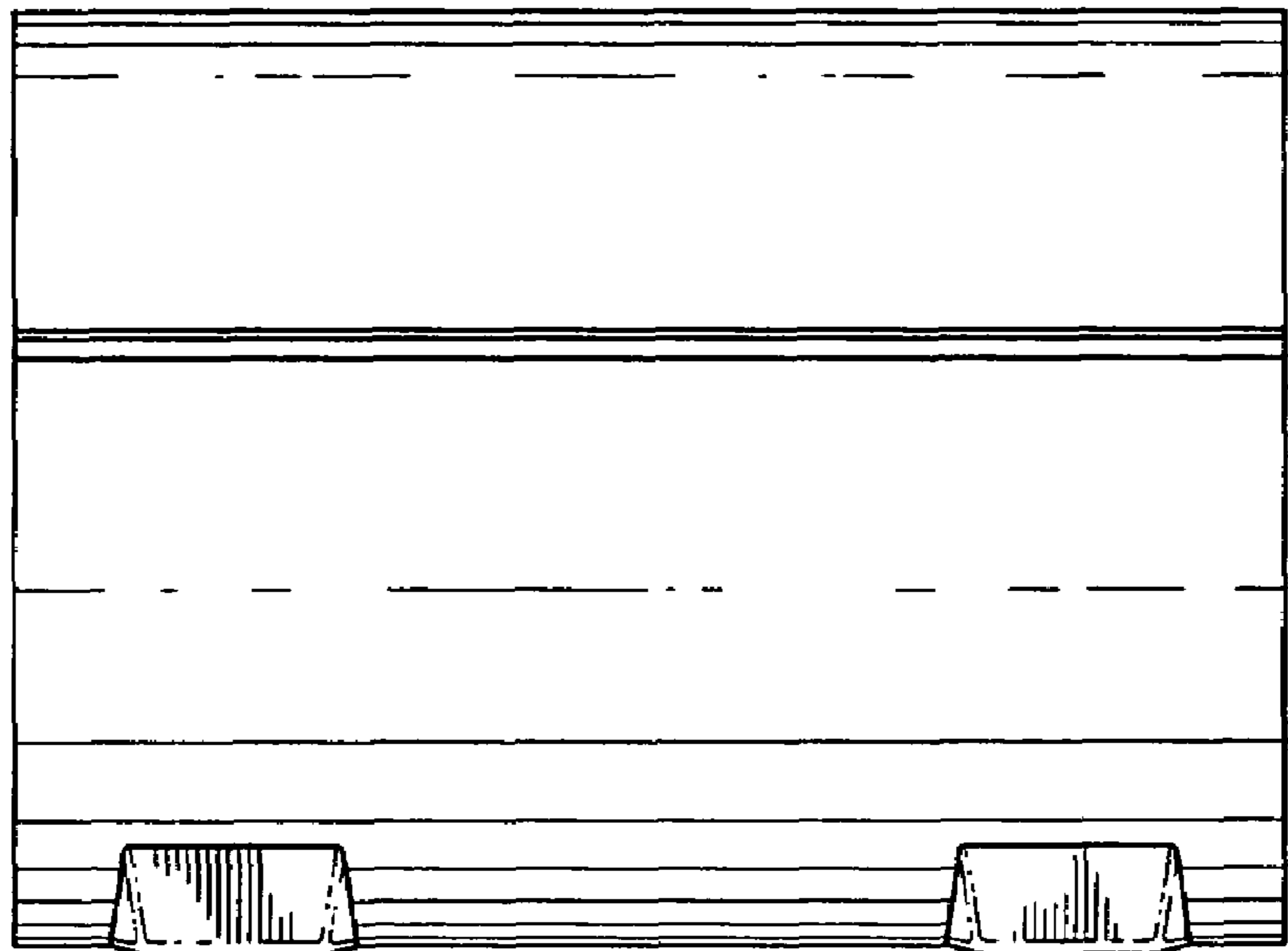


FIG. 5

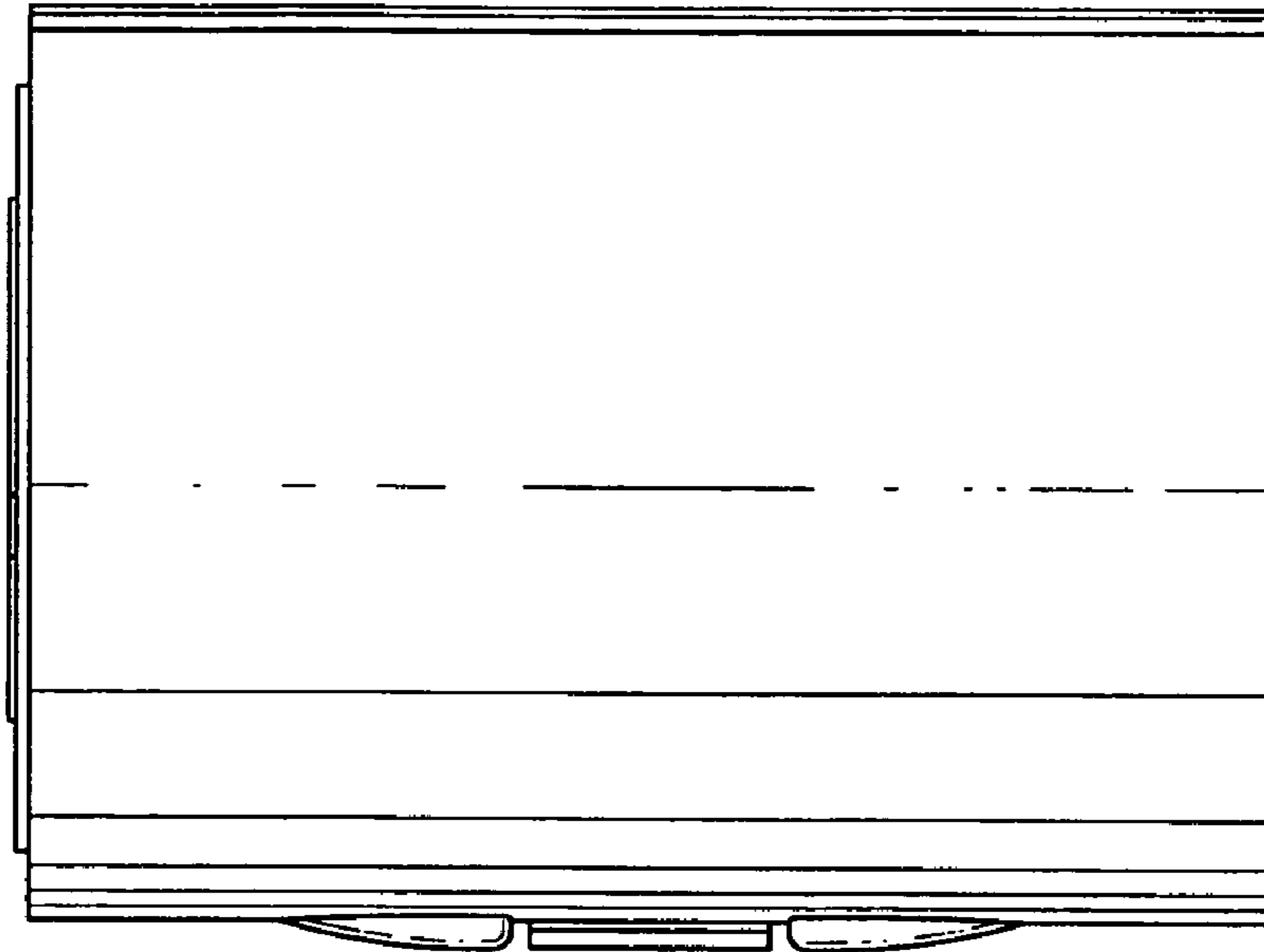


FIG. 6

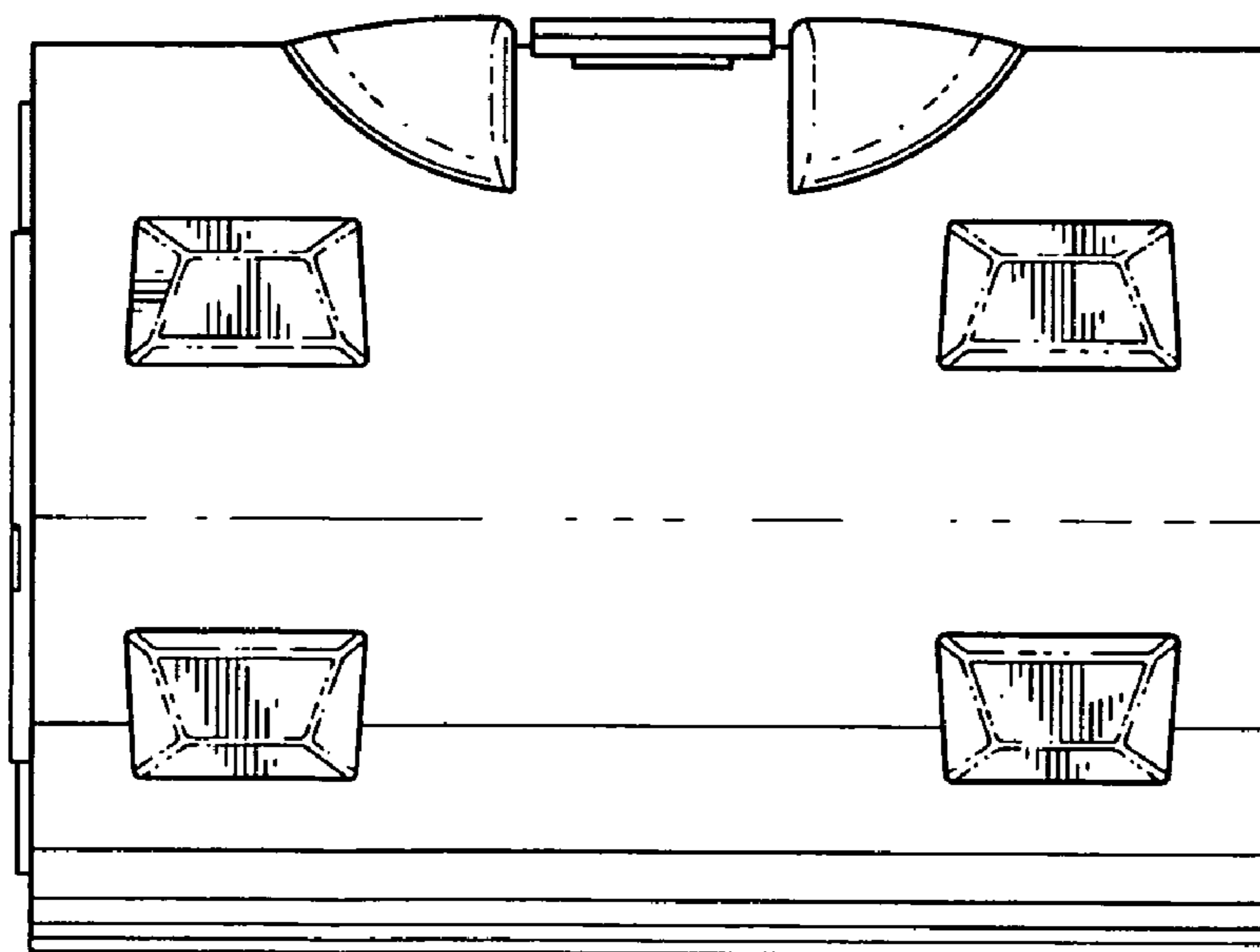


FIG. 7

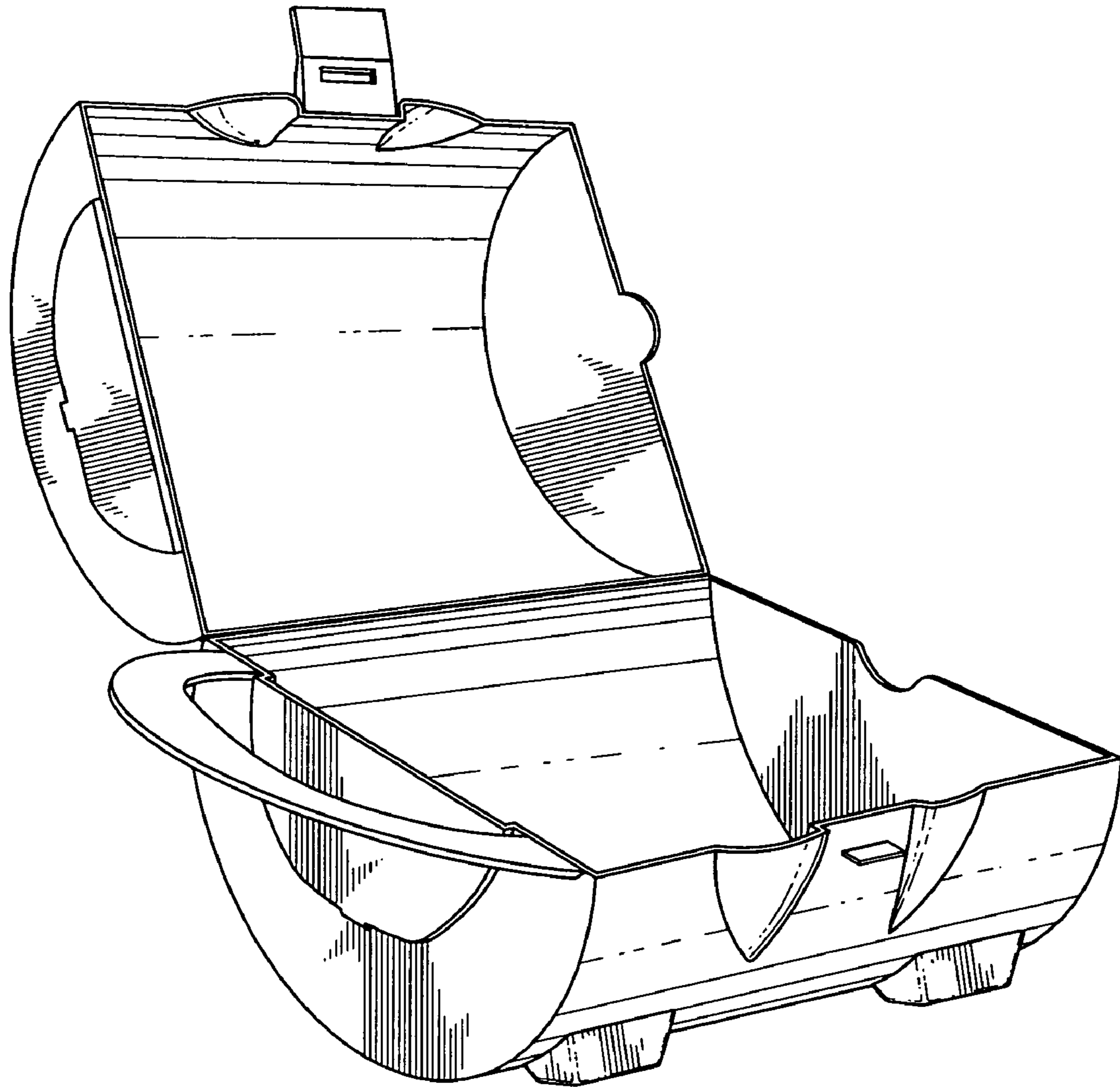


FIG. 8