



US00D552395S

(12) **United States Design Patent**
Vanlane

(10) **Patent No.:** **US D552,395 S**

(45) **Date of Patent:** **** Oct. 9, 2007**

(54) **WALL-MOUNTED SHOWER RADIO**

D502,033 S * 2/2005 Bruder D6/545
D512,863 S * 12/2005 Bowes et al. D6/545

(75) Inventor: **Tim Vanlane**, Vaughan (CA)

* cited by examiner

(73) Assignee: **Better Living Products International Inc.**, Vaughan (CA)

Primary Examiner—Brian N Vinson
(74) *Attorney, Agent, or Firm*—Standley Law Group LLP

(**) Term: **14 Years**

(57) **CLAIM**

(21) Appl. No.: **29/250,309**

The ornamental design for a wall mounted shower radio, as shown and described above.

(22) Filed: **Nov. 9, 2006**

(51) **LOC (8) Cl.** **23-02**

(52) **U.S. Cl.** **D6/545**

(58) **Field of Classification Search** D6/542-545;
221/208, 282, 283; 222/105, 173, 180, 181.1,
222/181.2, 181.3; D14/168

See application file for complete search history.

DESCRIPTION

(56) **References Cited**

U.S. PATENT DOCUMENTS

D337,908 S *	8/1993	Weber	D6/545
D387,597 S *	12/1997	Kearnes	D6/545
D417,111 S *	11/1999	Polan	D6/545
D431,404 S *	10/2000	Brazis et al.	D6/545
D453,886 S *	2/2002	Pruijssers	D6/545
D479,422 S *	9/2003	Ciavarella et al.	D6/545
D481,896 S *	11/2003	Shaanan	D6/545
D498,628 S *	11/2004	Rhodenbaugh	D6/545

FIG. 1 is a perspective view of an embodiment of the wall-mounted shower radio;

FIG. 2 is a bottom plan view of the shower radio of FIG. 1, a rear surface of the shower radio located at the bottom of the figure;

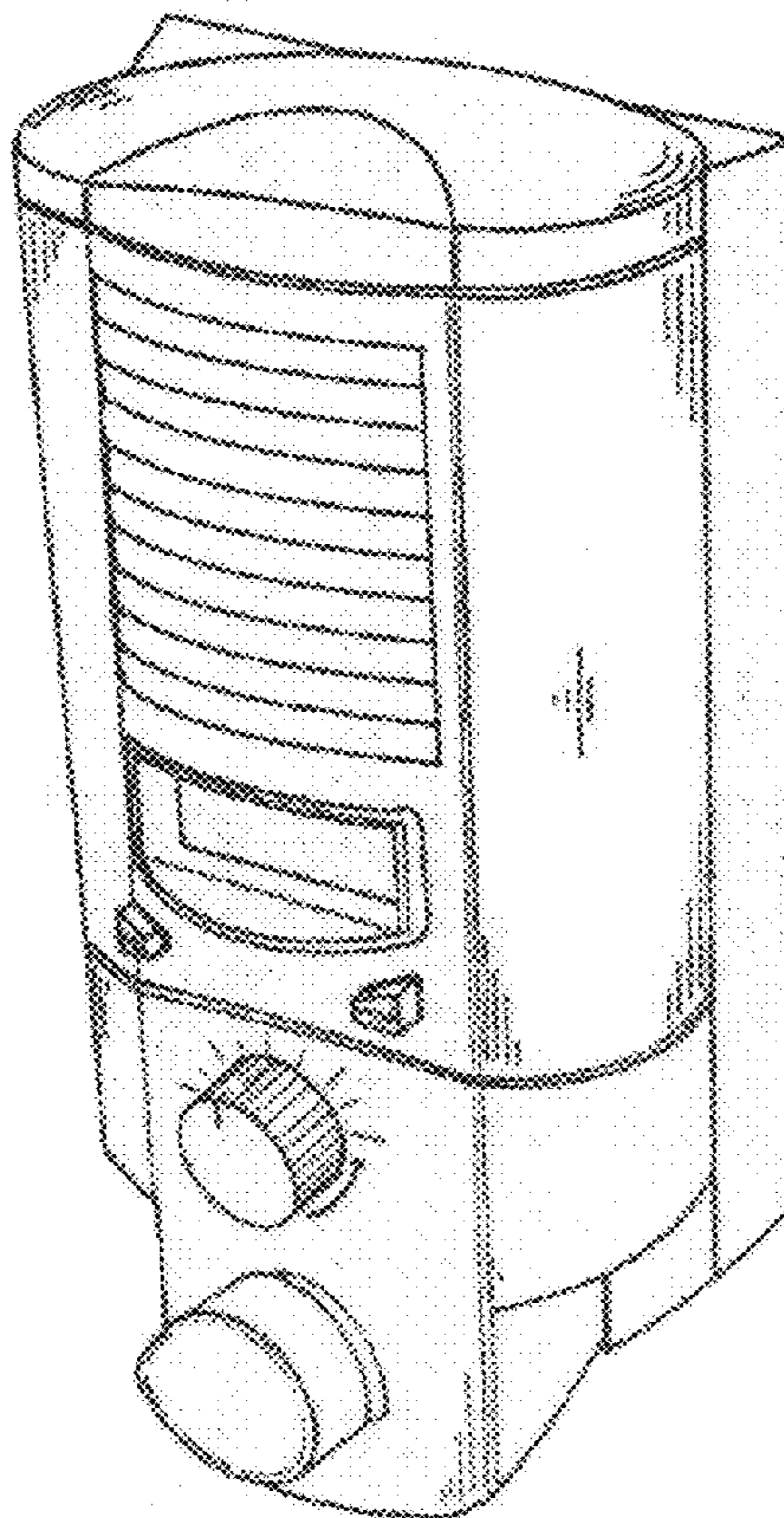
FIG. 3 is a top plan view of the shower radio of FIG. 1, the rear surface located at the top of the figure;

FIG. 4 is a left side elevation view of the shower radio of FIG. 1;

FIG. 5 is a front elevation view of the shower radio of FIG. 1, the rear elevation view not being shown as no ornamental features are disclosed there; and,

FIG. 6 is a right side elevation view.

1 Claim, 1 Drawing Sheet



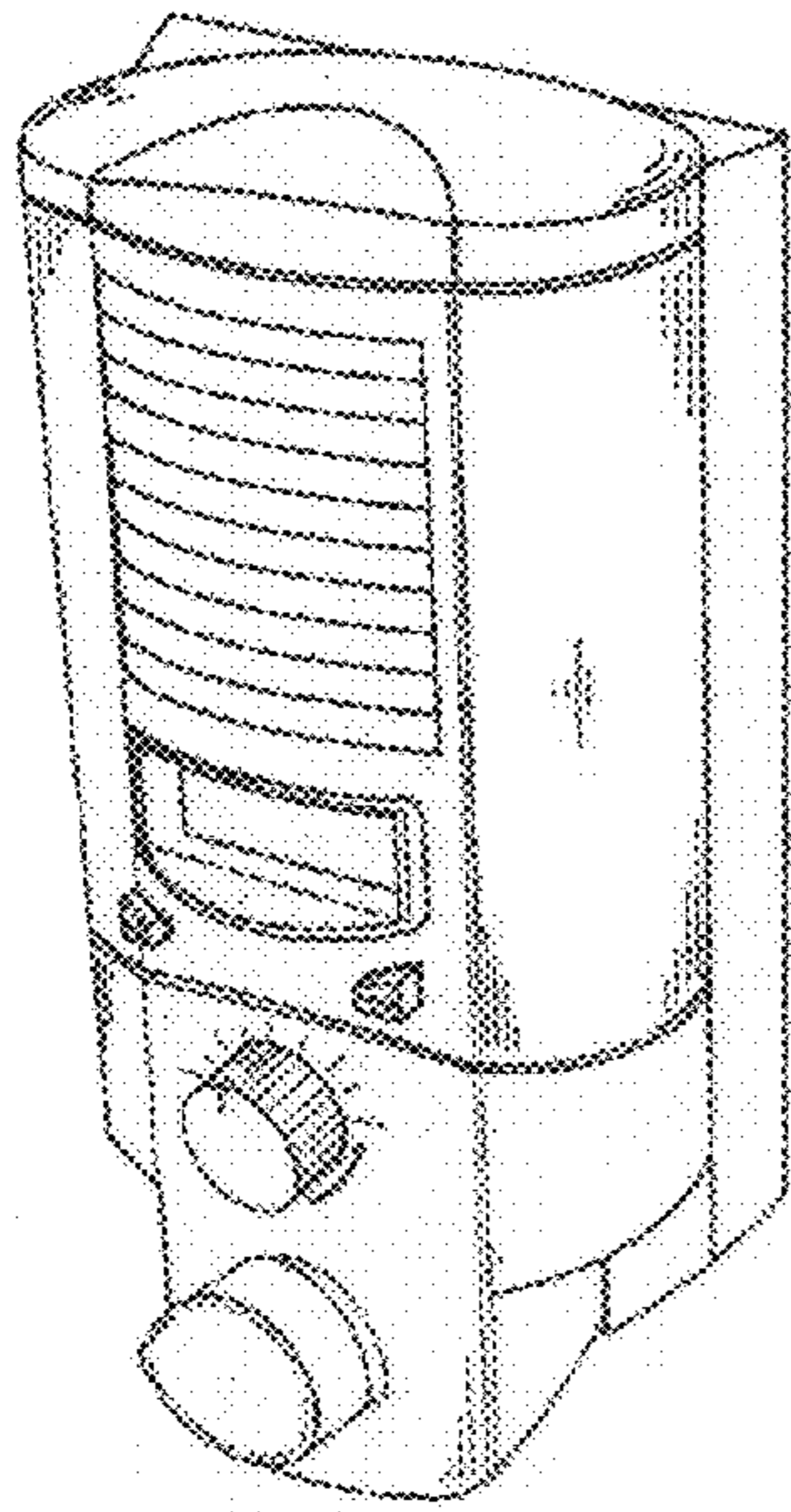


FIGURE 1

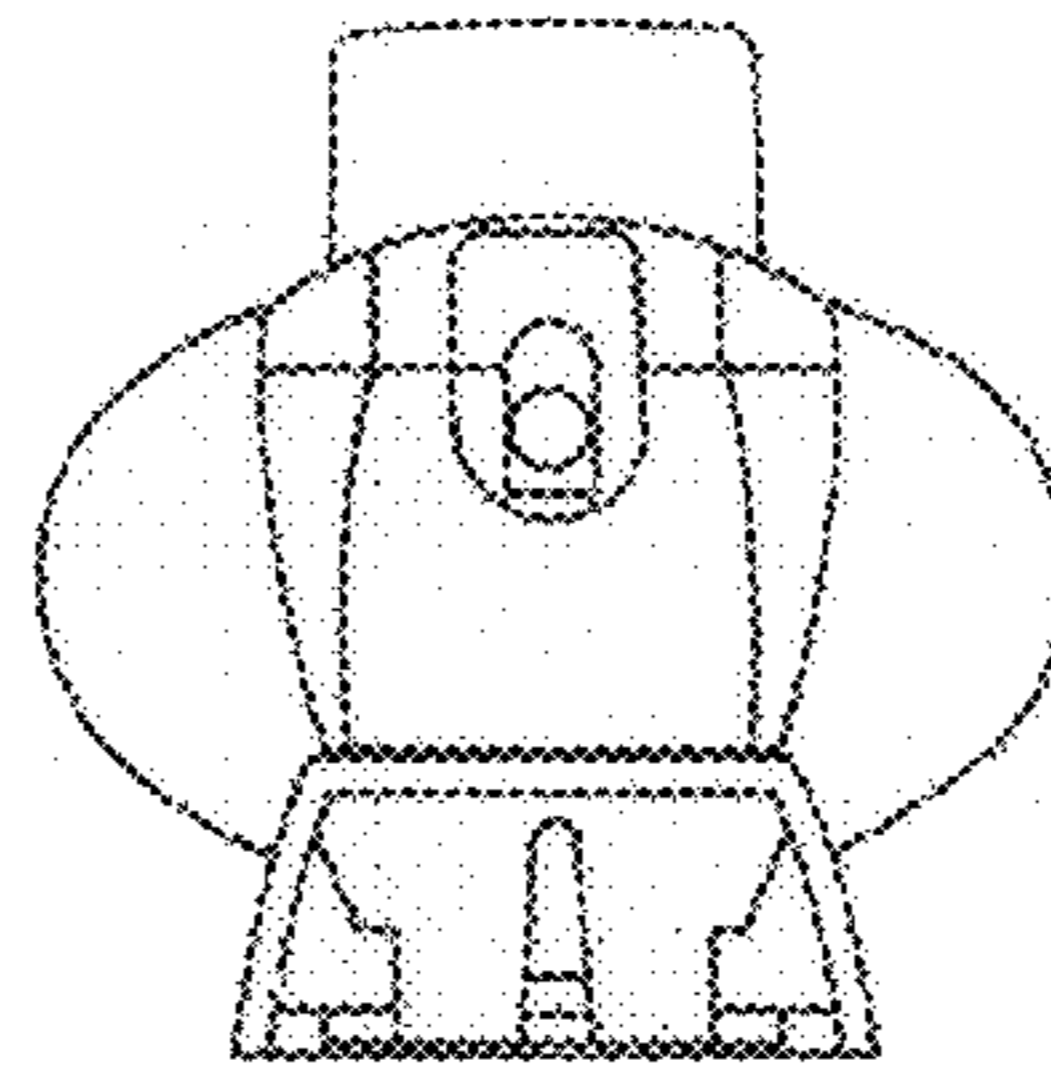


FIGURE 2

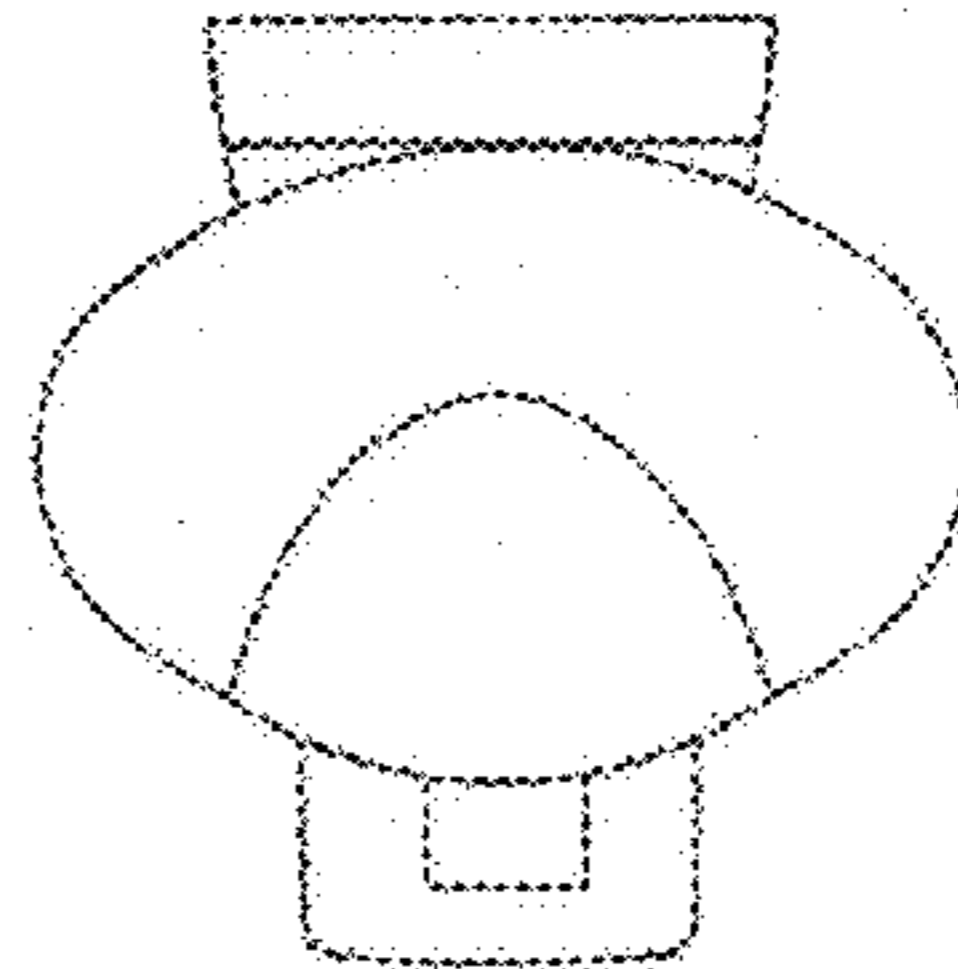


FIGURE 3

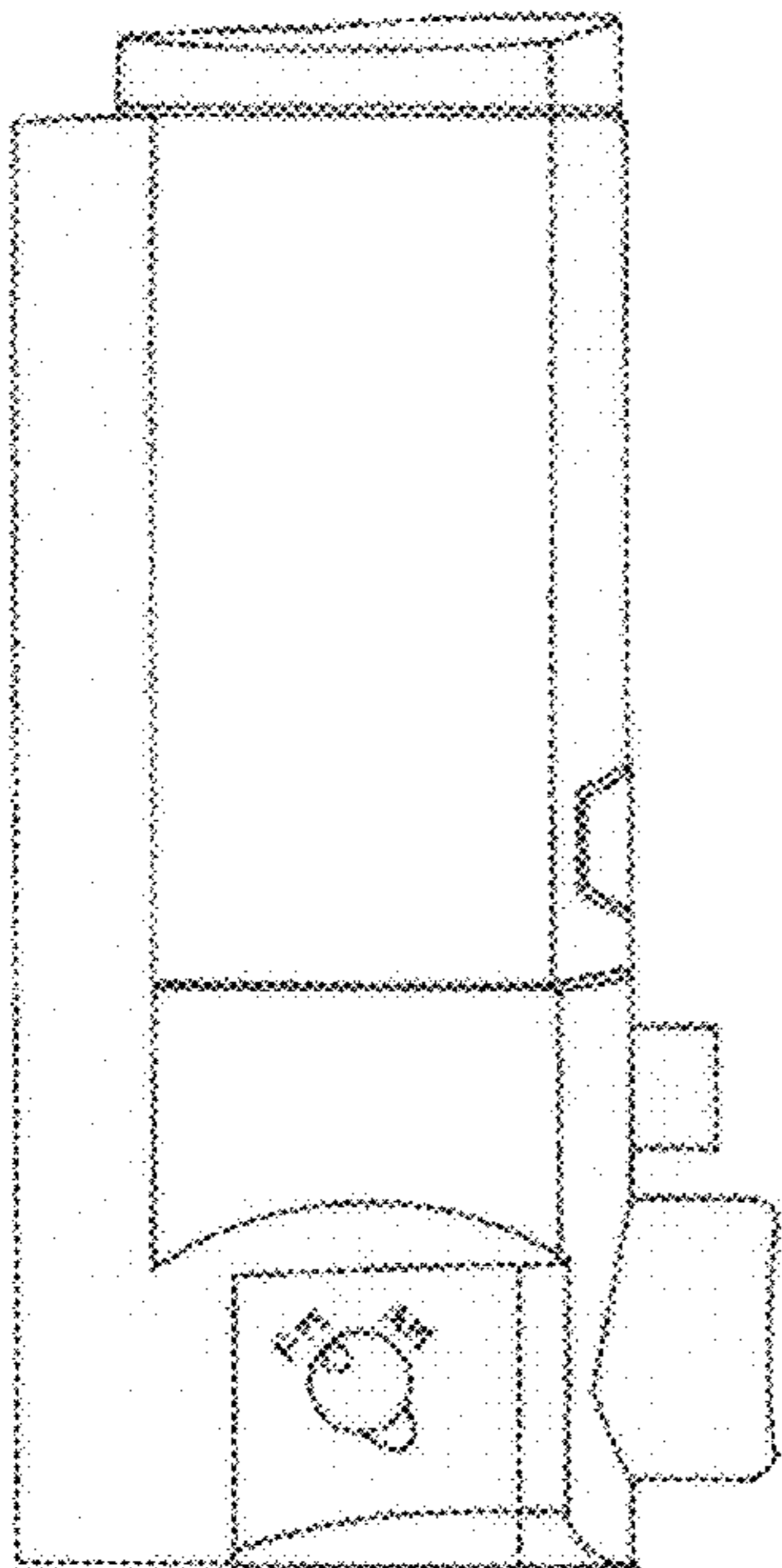


FIGURE 4

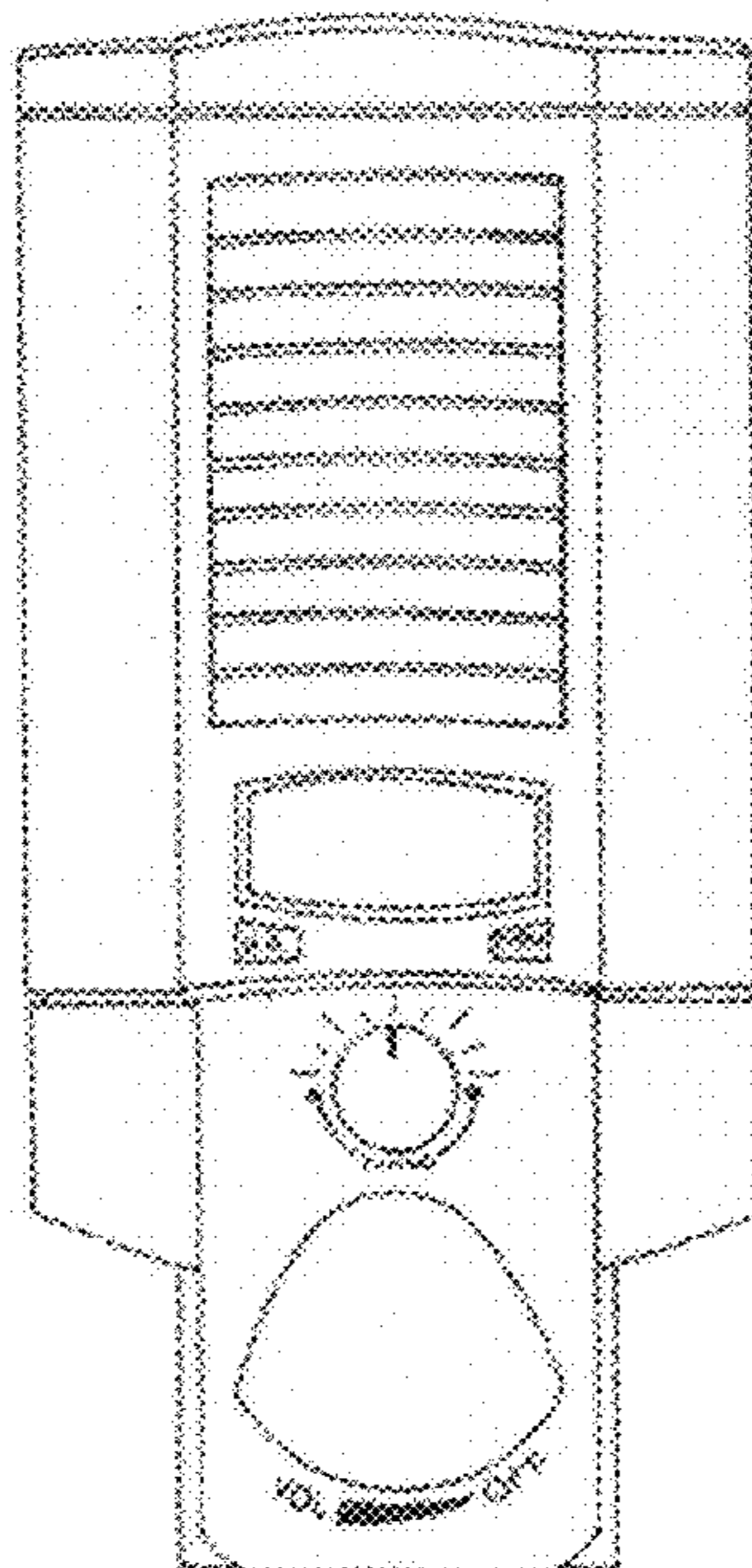


FIGURE 5

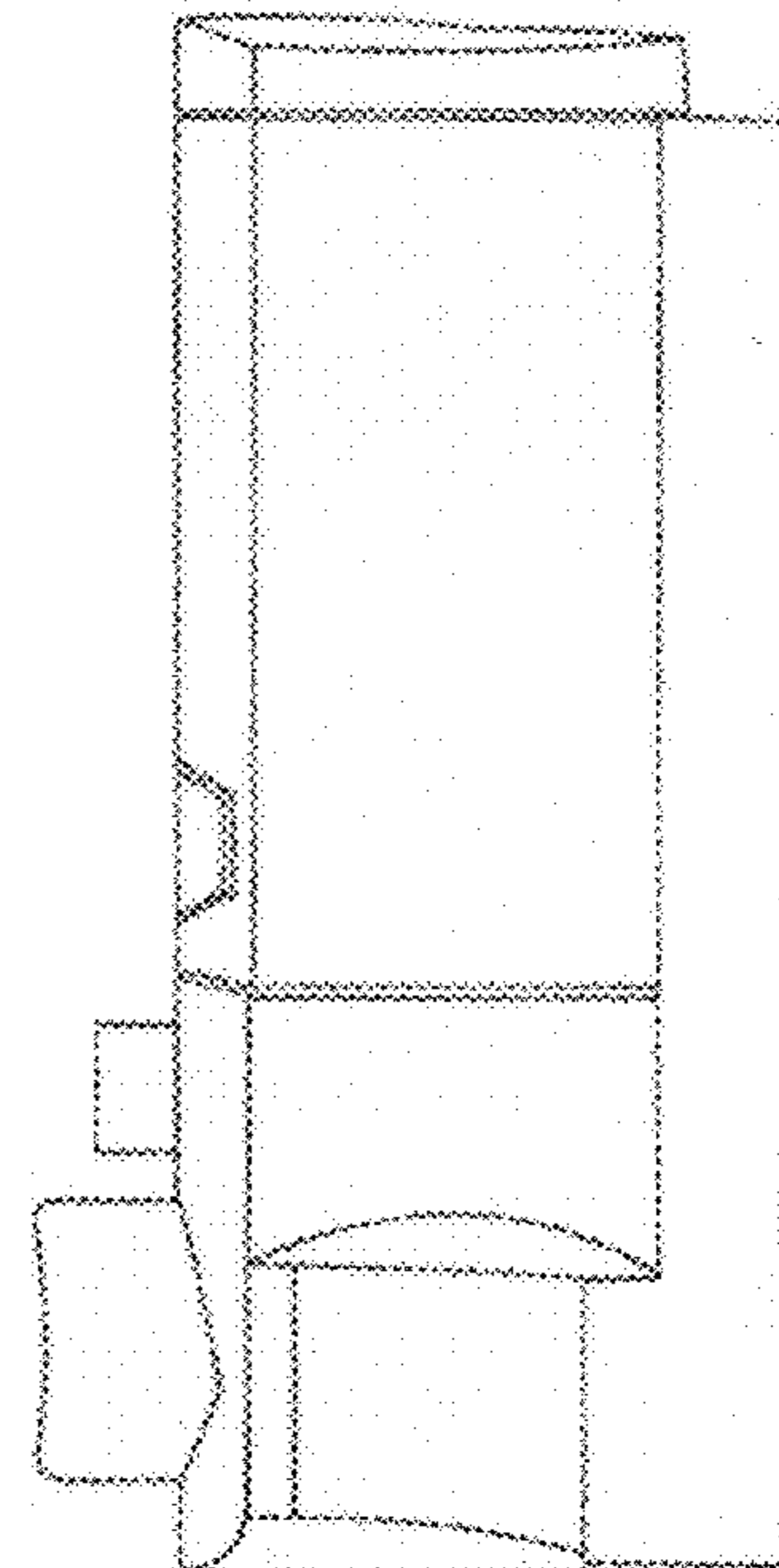


FIGURE 6