



US00D552391S

(12) **United States Design Patent** (10) **Patent No.:** **US D552,391 S**
Rosen (45) **Date of Patent:** **** Oct. 9, 2007**

(54) **SHOWER CADDY**

(75) Inventor: **Frederick K. Rosen**, Wheaton, IL (US)

(73) Assignee: **Grayline Housewares**, Carol Stream, IL (US)

(**) Term: **14 Years**

(21) Appl. No.: **29/250,955**

(22) Filed: **Dec. 7, 2006**

(51) **LOC (8) Cl.** **23-02**

(52) **U.S. Cl.** **D6/525**

(58) **Field of Classification Search** D6/524,
D6/525, 566, 536, 540; 211/13.1, 74, 71.01,
211/86.01, 75, 88.01, 90.01, 90.03, 106, 119,
211/126.1, 133.5, 181.1, 134

See application file for complete search history.

(56) **References Cited**

U.S. PATENT DOCUMENTS

D294,902 S	3/1988	Sussman	
D446,670 S *	8/2001	Emery et al.	D6/525
D477,947 S *	8/2003	Snell	D6/525
D479,074 S *	9/2003	Snell	D6/525
D489,207 S *	5/2004	Rosen	D6/525
D498,102 S *	11/2004	Snell	D6/525
D512,861 S *	12/2005	Rosen	D6/525
D530,551 S *	10/2006	Snell	D6/525

OTHER PUBLICATIONS

Large Shower Caddy Package (undated).

* cited by examiner

Primary Examiner—Brian N Vinson

(74) *Attorney, Agent, or Firm*—Vedder, Price, Kaufman & Kammholz, P.C.

(57) **CLAIM**

The ornamental design of the shower caddy, as shown.

DESCRIPTION

FIG. 1 is a perspective view of the first embodiment for the shower caddy showing my new design;

FIG. 2 is a front view of my new design;

FIG. 3 is a rear view of my new design;

FIG. 4 is a view of one side of my new design, the other side being a mirror image thereof;

FIG. 5 is a top view of my new design;

FIG. 6 is a bottom view of my new design;

FIG. 7 is a perspective view of the second embodiment for the shower caddy showing my new design;

FIG. 8 is a front view of the second embodiment of my new design;

FIG. 9 is a rear view of the second embodiment of my new design;

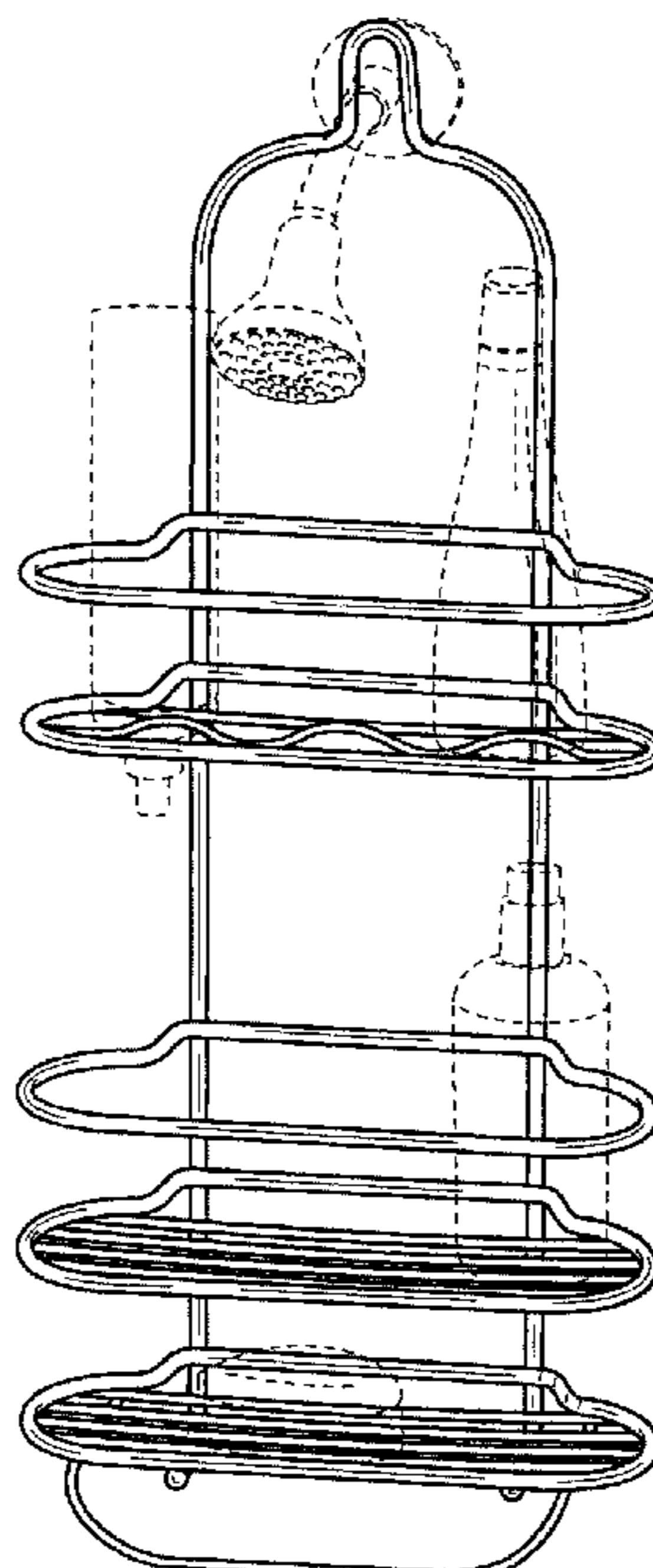
FIG. 10 is a view of one side of the second embodiment of my new design, the other side being a mirror image thereof;

FIG. 11 is a top view of the second embodiment of my new design; and,

FIG. 12 is a bottom view of the second embodiment of my new design.

The broken-line disclosure in the views is for illustrative purposes only and forms no part of the claimed design.

1 Claim, 4 Drawing Sheets



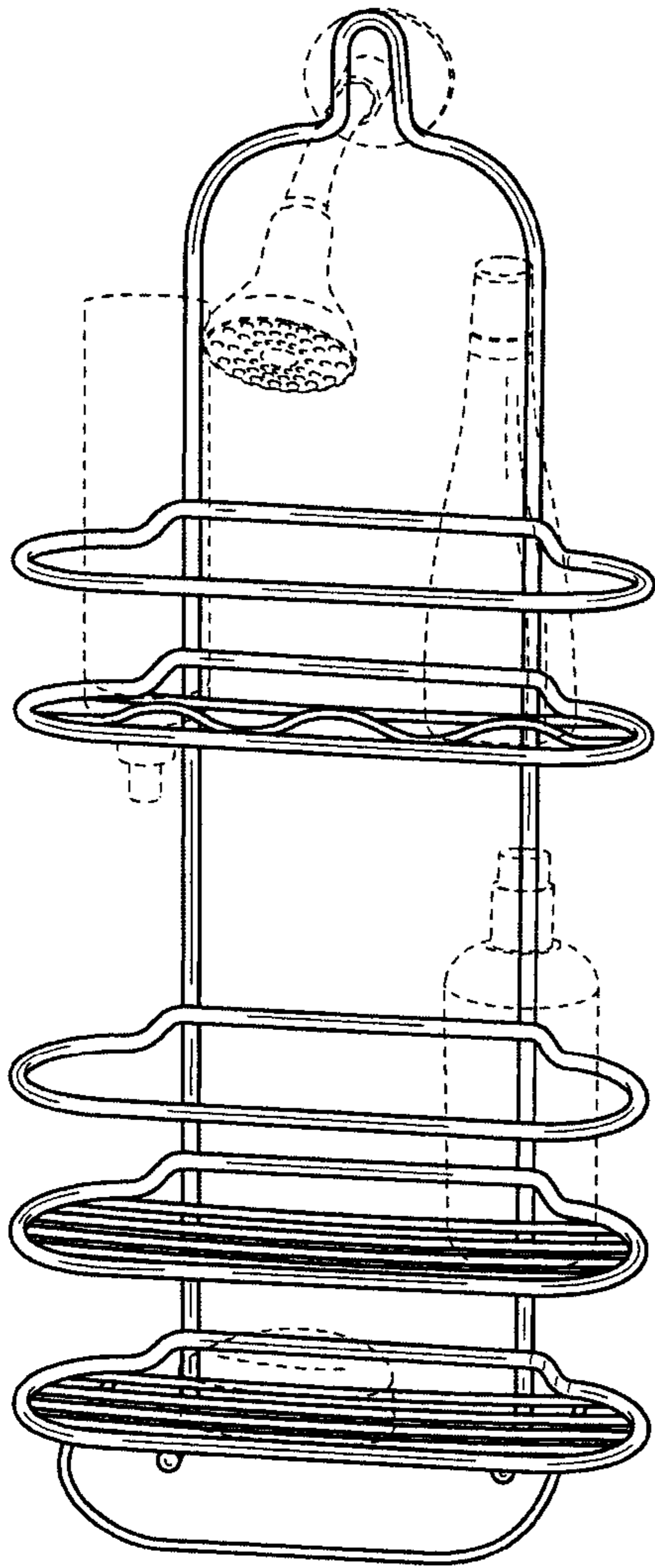


FIG. 1

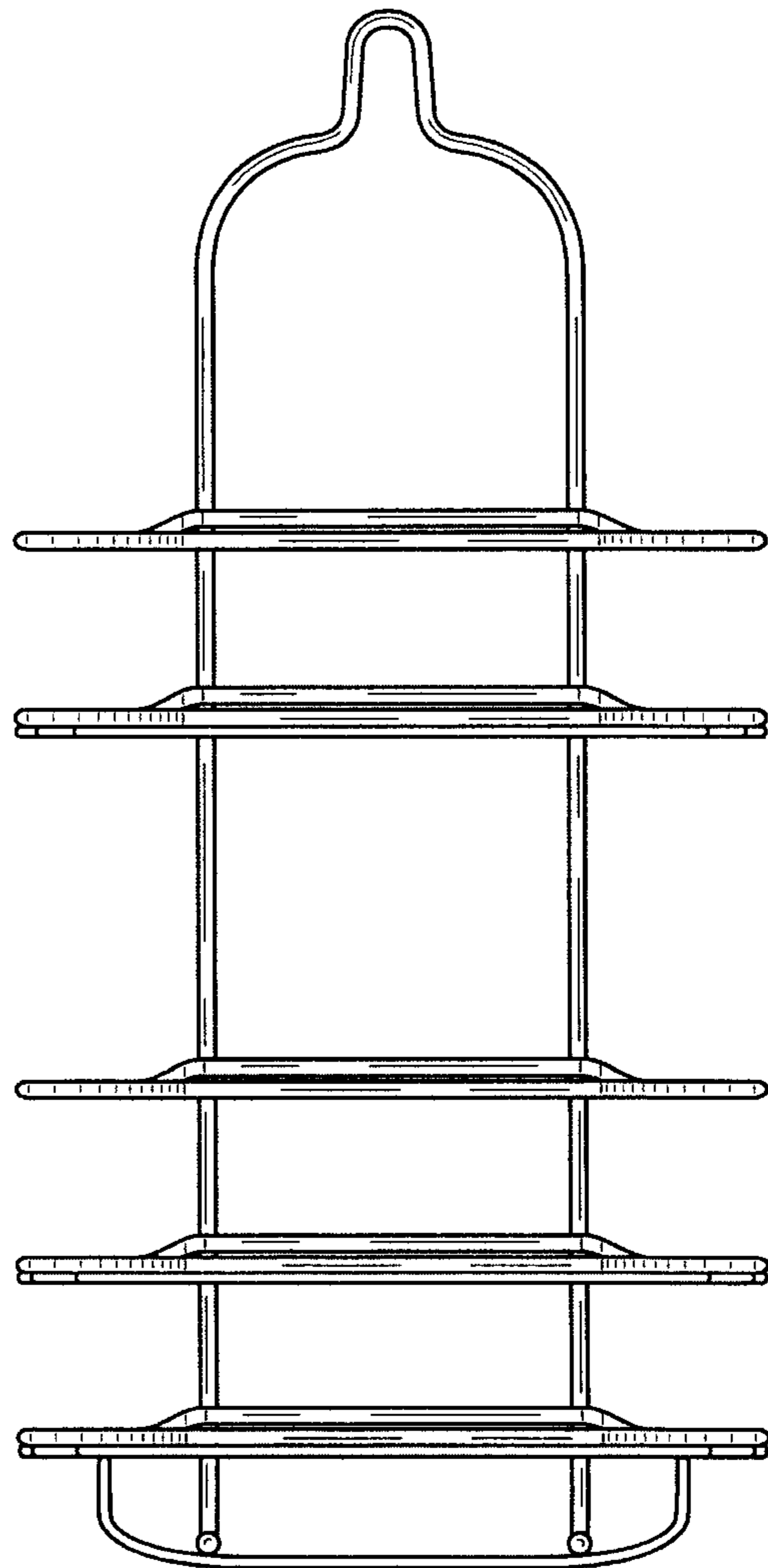


FIG. 2

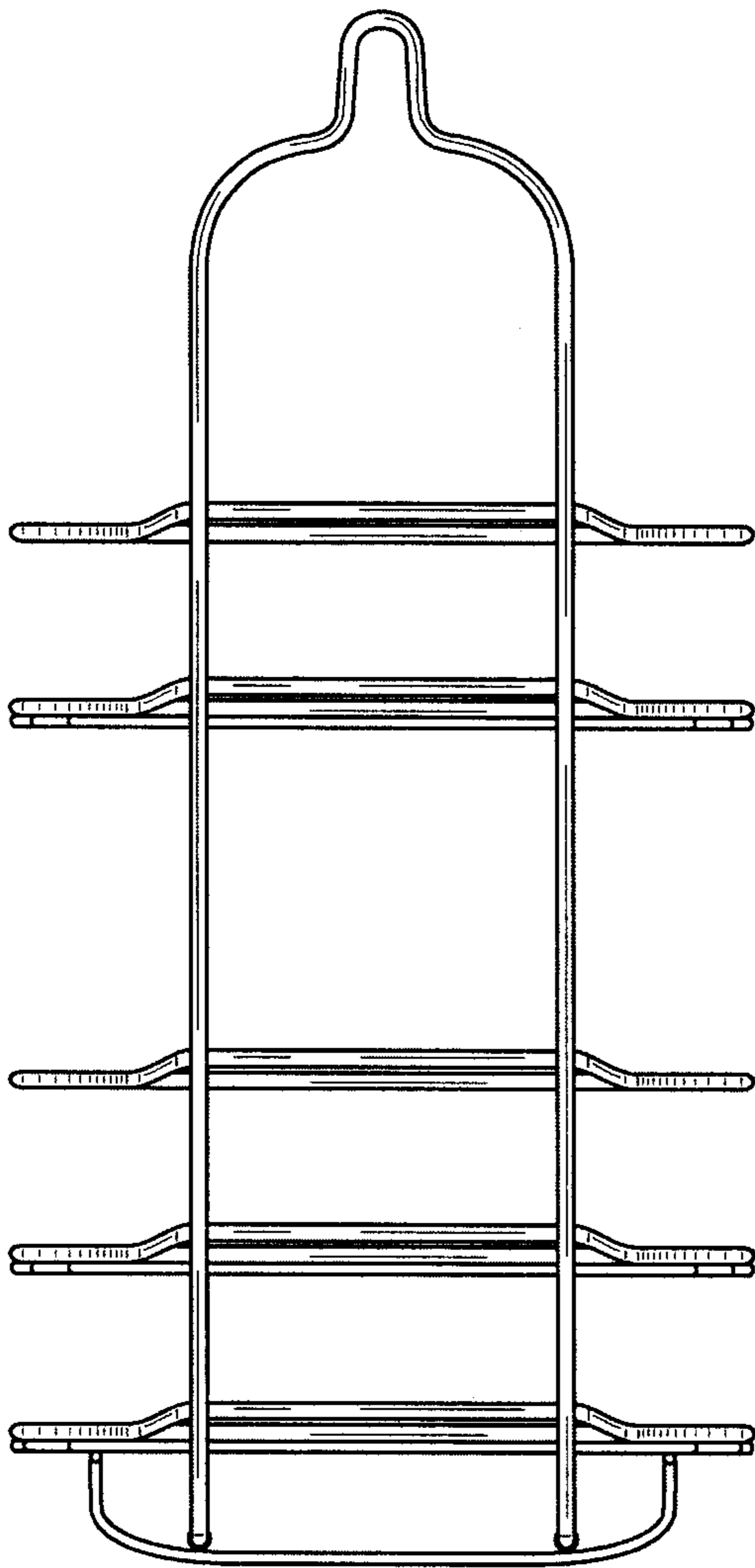


FIG. 3

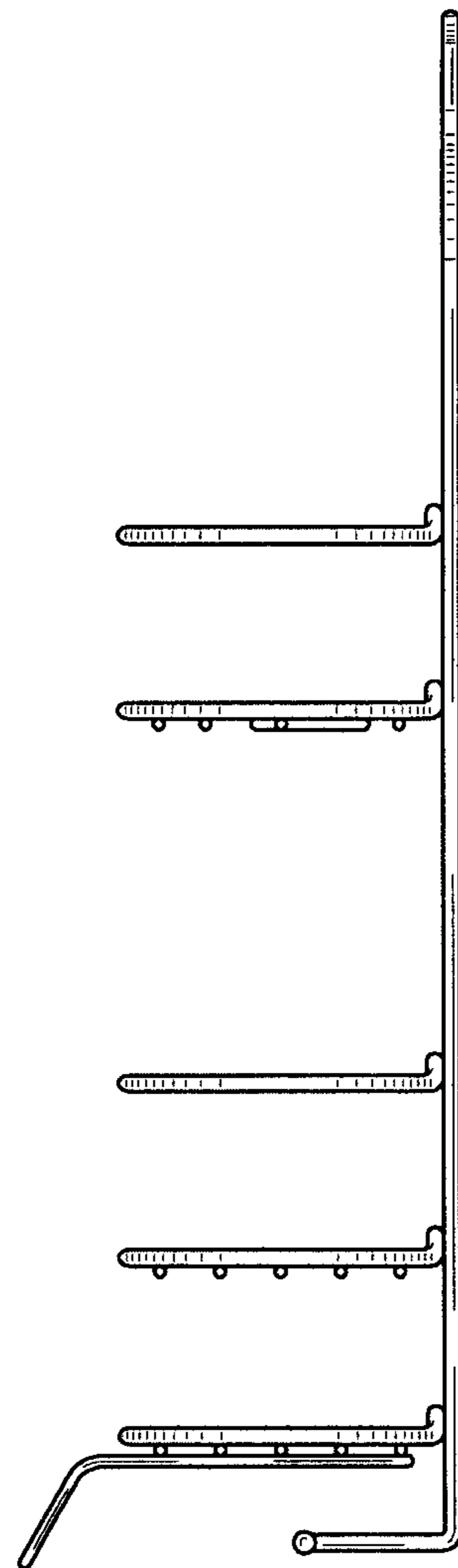


FIG. 4

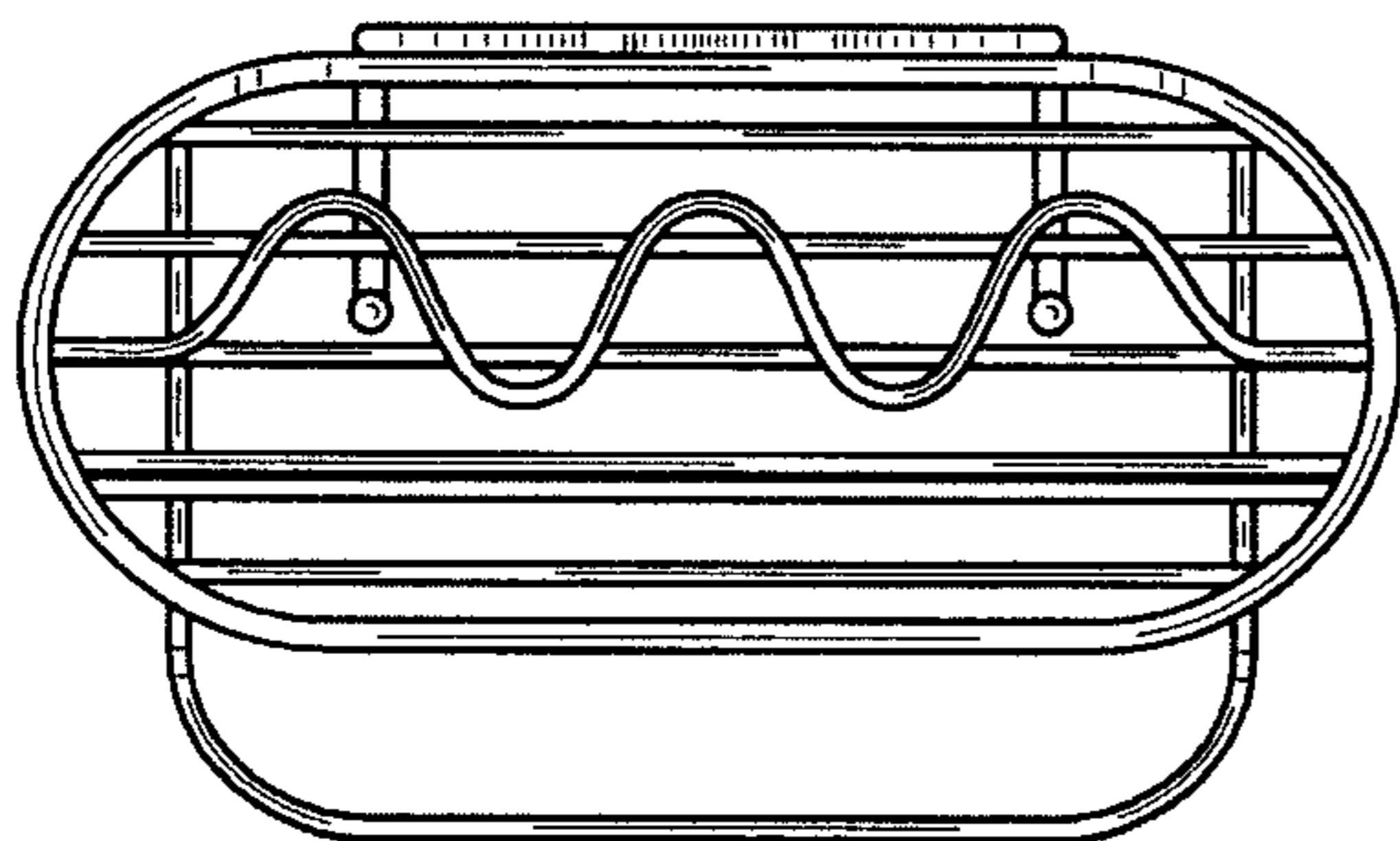


FIG. 5

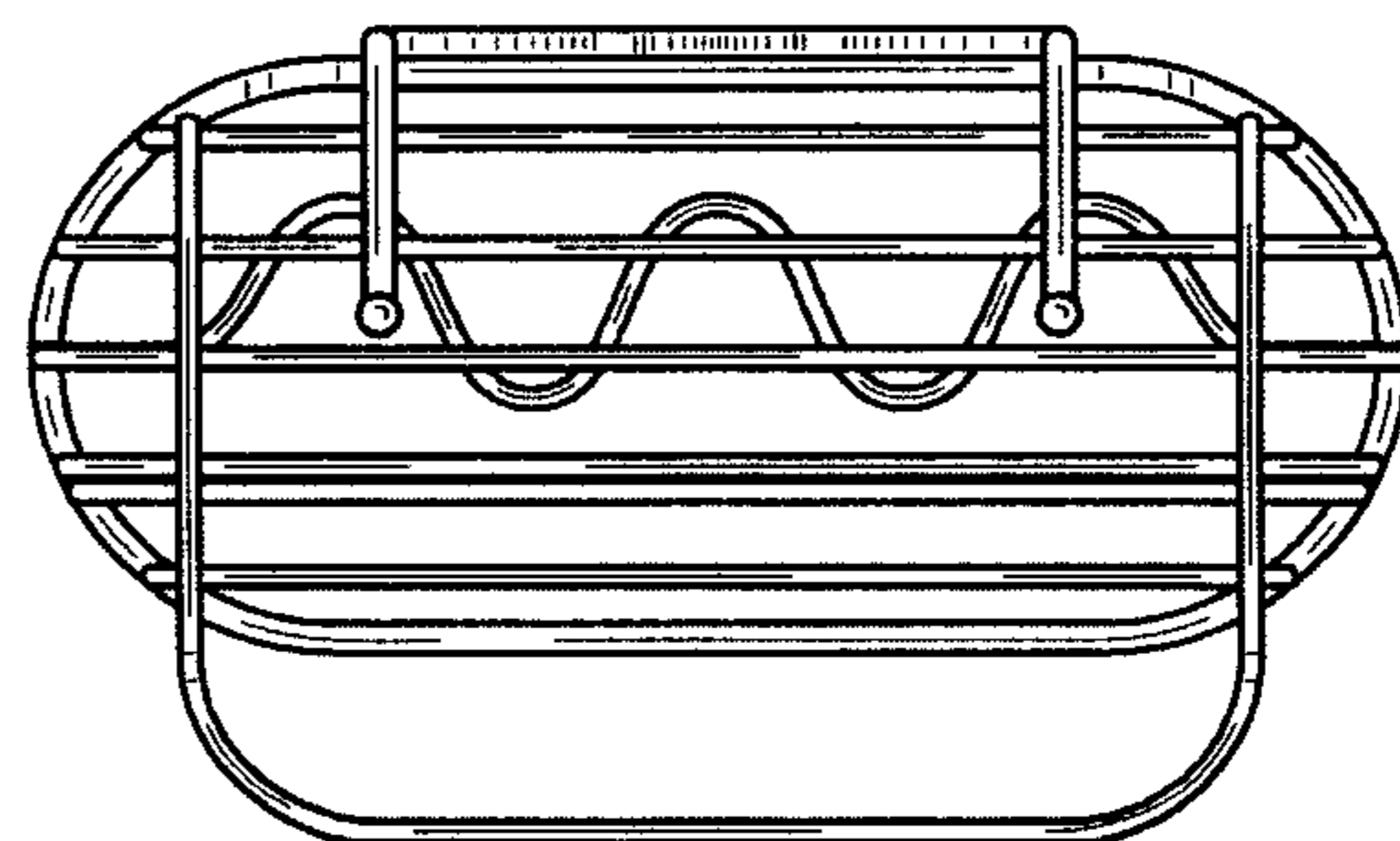


FIG. 6

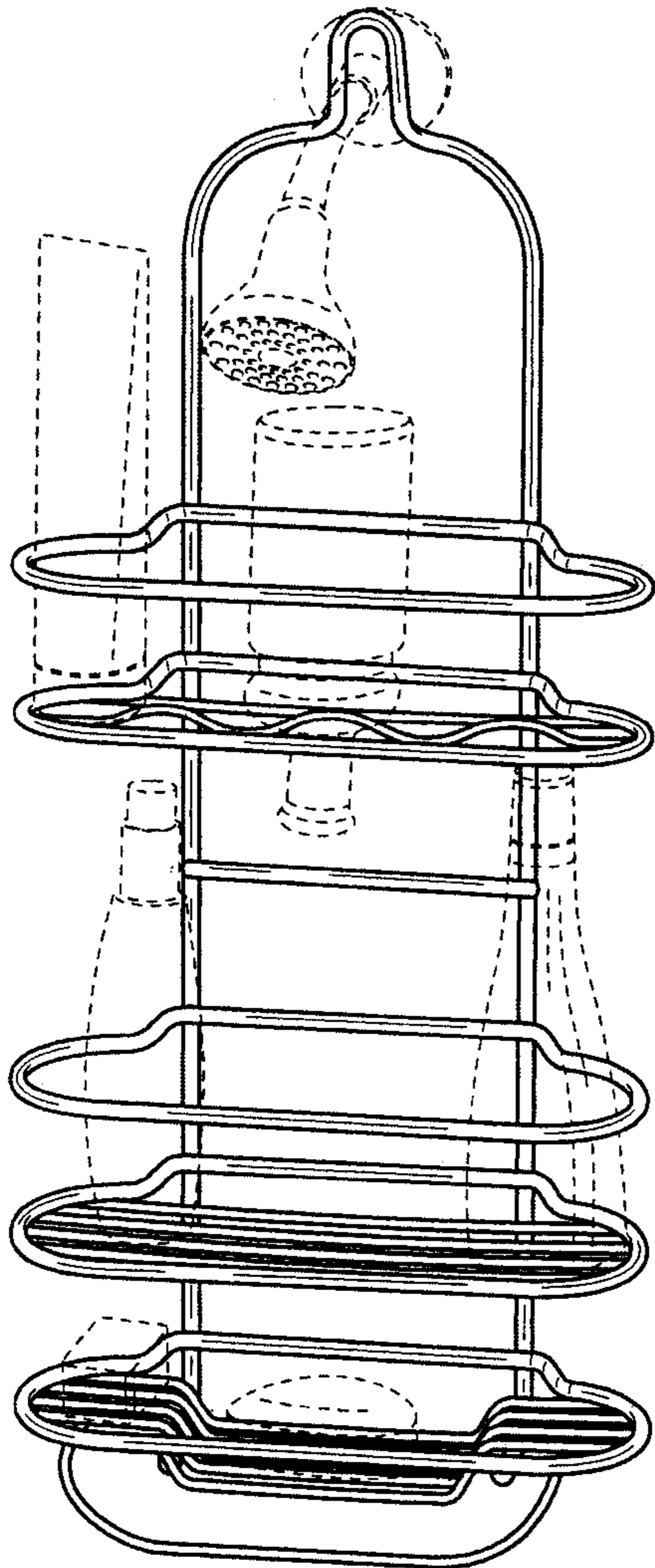


FIG. 7

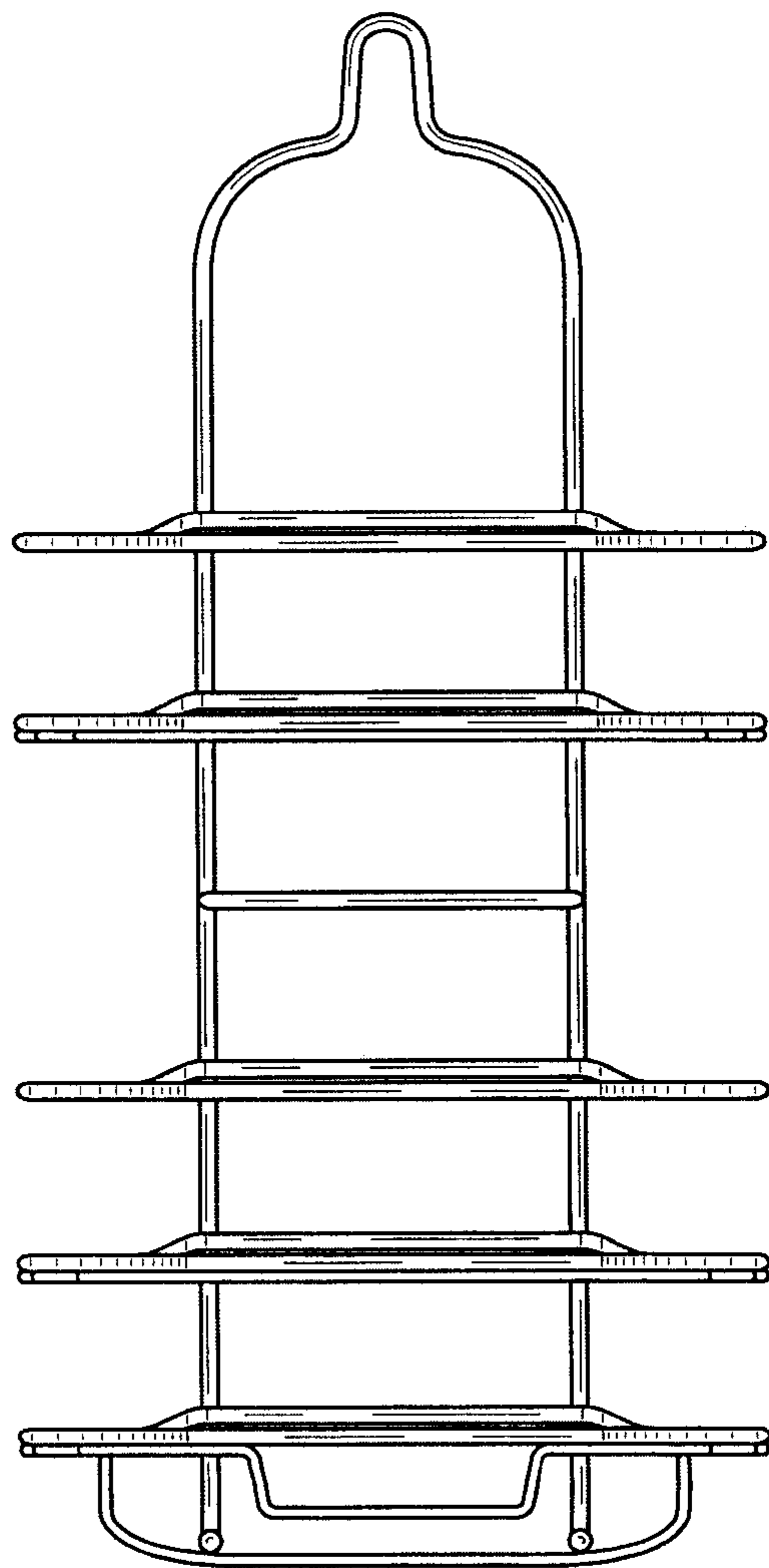


FIG. 8

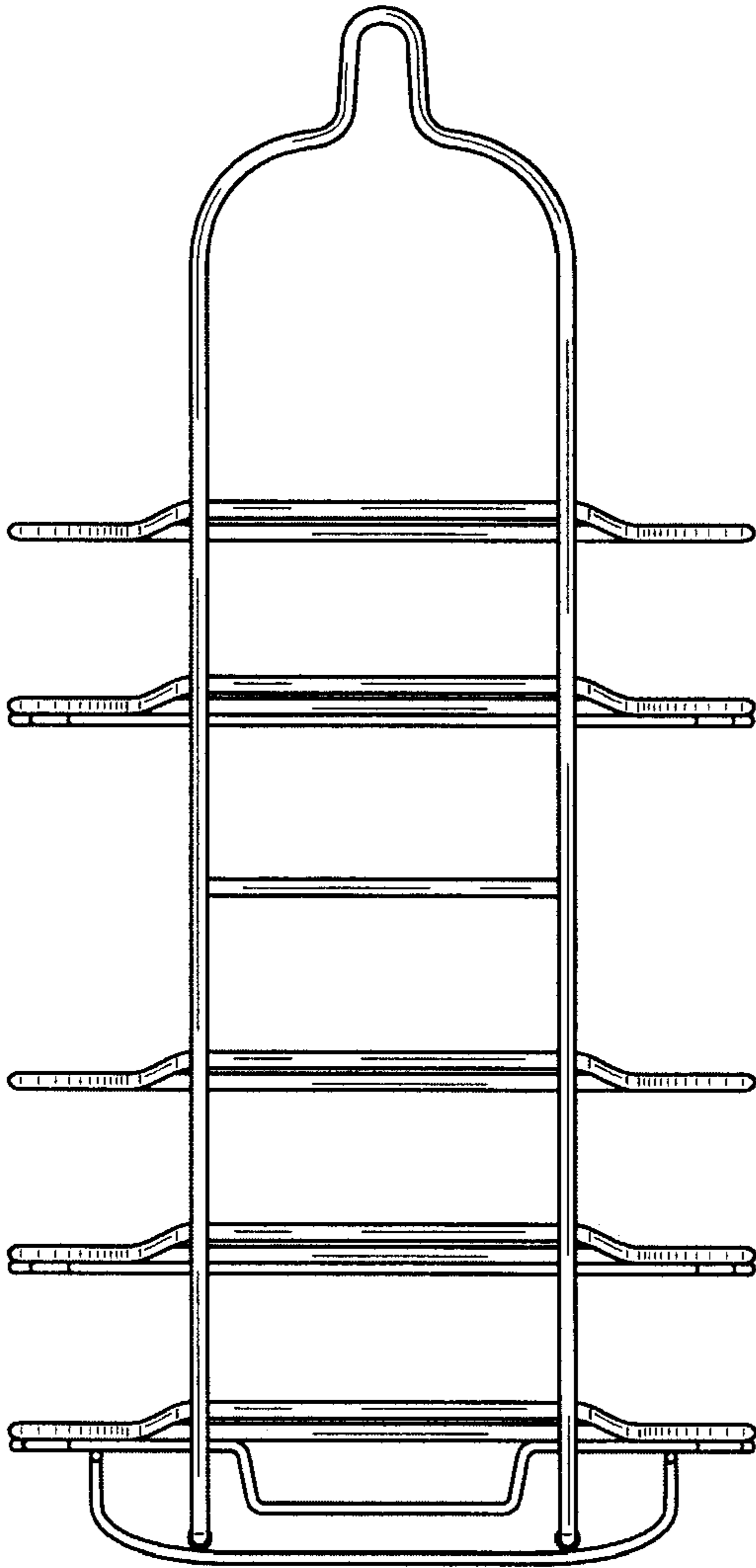


FIG. 9

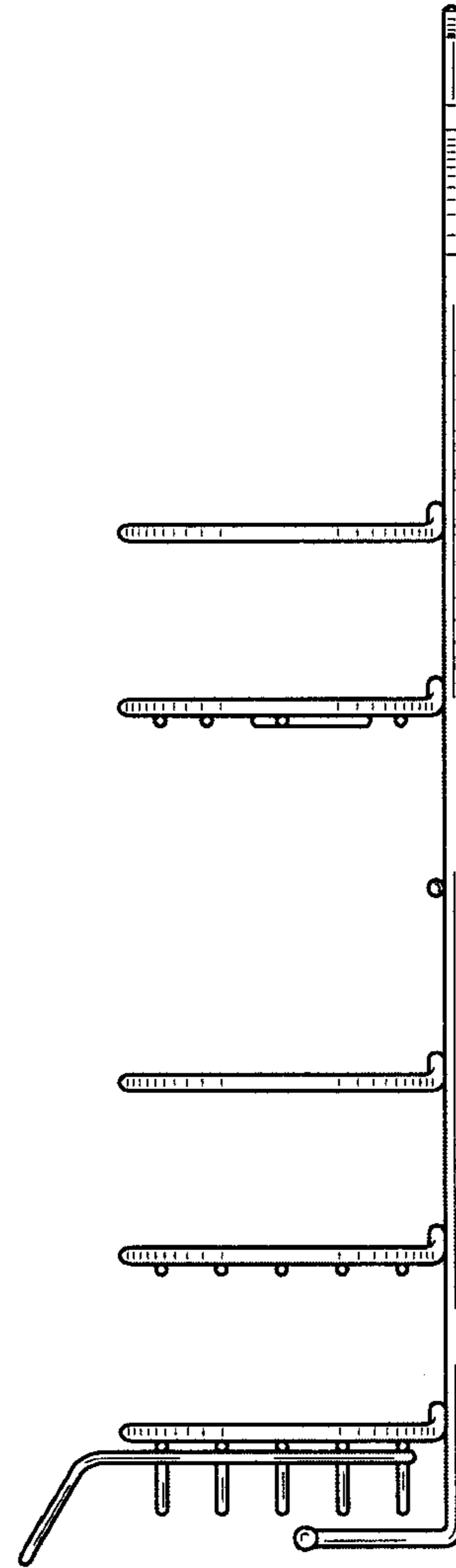


FIG. 10

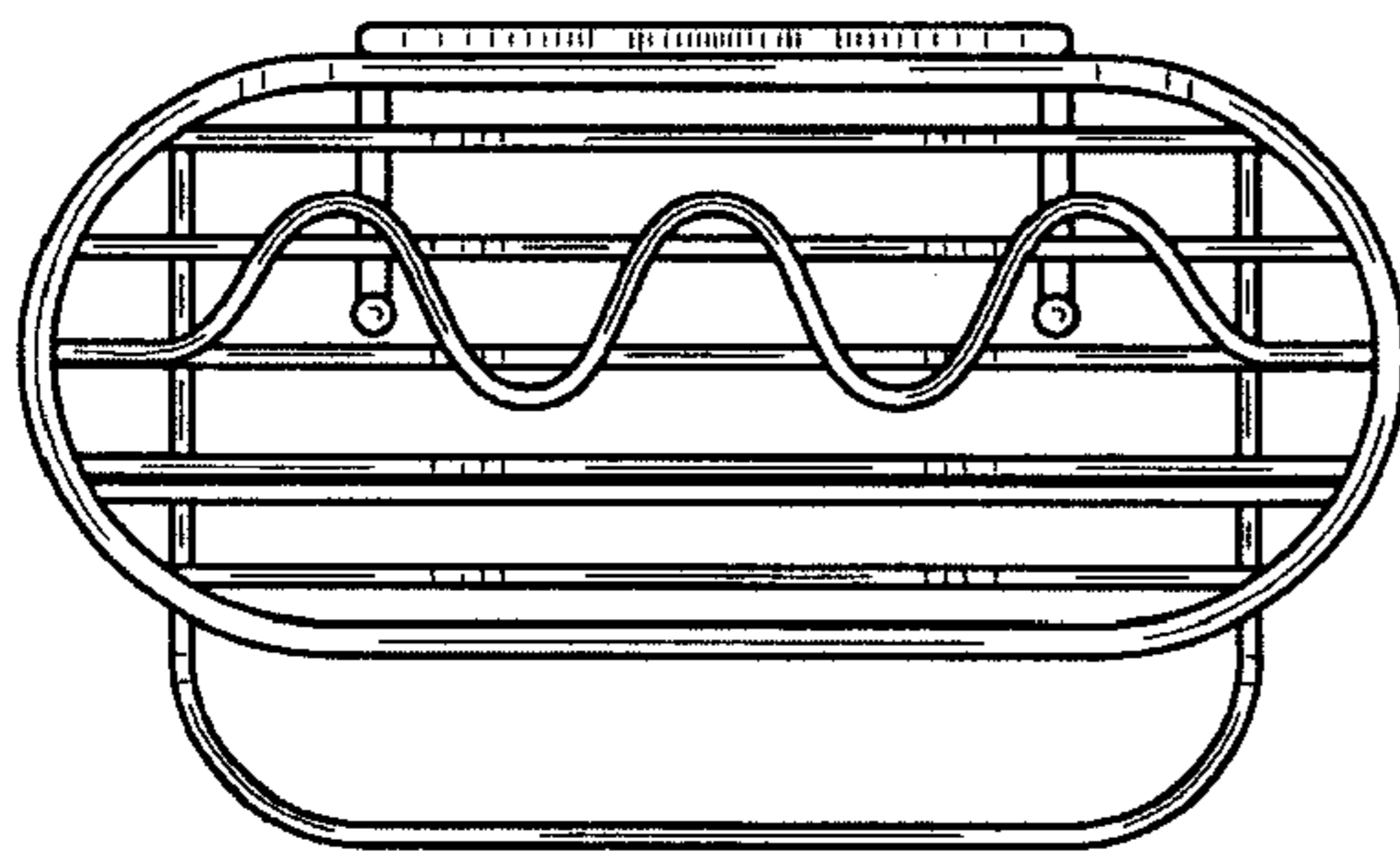


FIG. 11

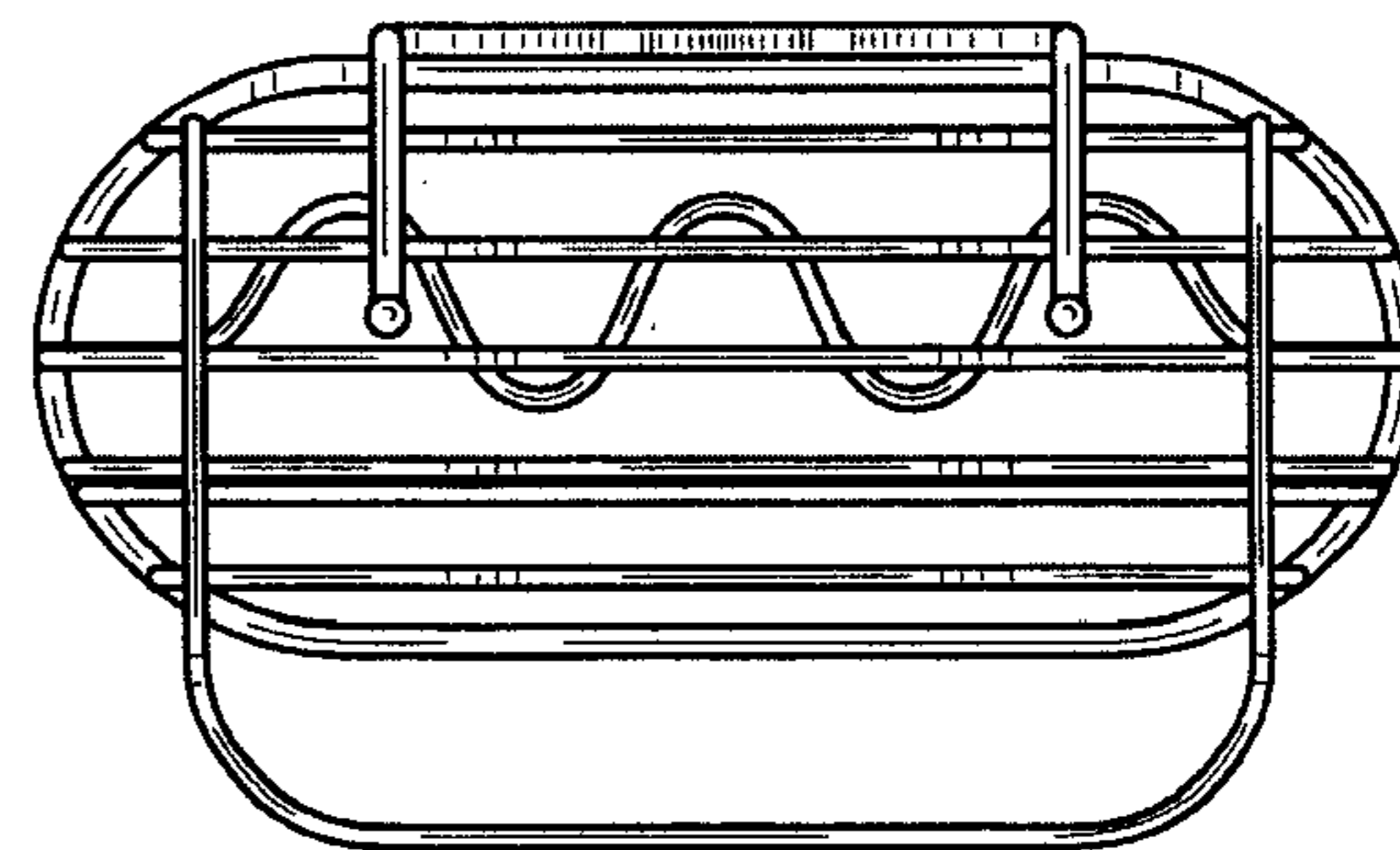


FIG. 12