



US00D552385S

(12) **United States Design Patent**
Yeh

(10) **Patent No.:** **US D552,385 S**

(45) **Date of Patent:** **** Oct. 9, 2007**

(54) **OFFICE CHAIR BASE**

(76) Inventor: **Sheng-Chang Yeh**, P.O. Box 90, Tainan City 70499 (TW)

(**) Term: **14 Years**

(21) Appl. No.: **29/267,216**

(22) Filed: **Oct. 10, 2006**

(51) **LOC (8) Cl.** **06-06**

(52) **U.S. Cl.** **D6/498**

(58) **Field of Classification Search** D6/334-336, D6/364, 365, 366, 367, 498, 500-502; 248/188.1, 248/188.7, 188.8, 188.9; 297/344.18, 463.1
See application file for complete search history.

(56) **References Cited**

U.S. PATENT DOCUMENTS

- D426,966 S * 6/2000 Chu D6/366
- D437,513 S * 2/2001 Privatt et al. D6/498
- D467,452 S * 12/2002 Lee D6/498
- D482,549 S * 11/2003 Tsai D6/498

- D494,786 S * 8/2004 Cheng D6/498
- D499,586 S * 12/2004 Fu D6/498

* cited by examiner

Primary Examiner—Mimosa De

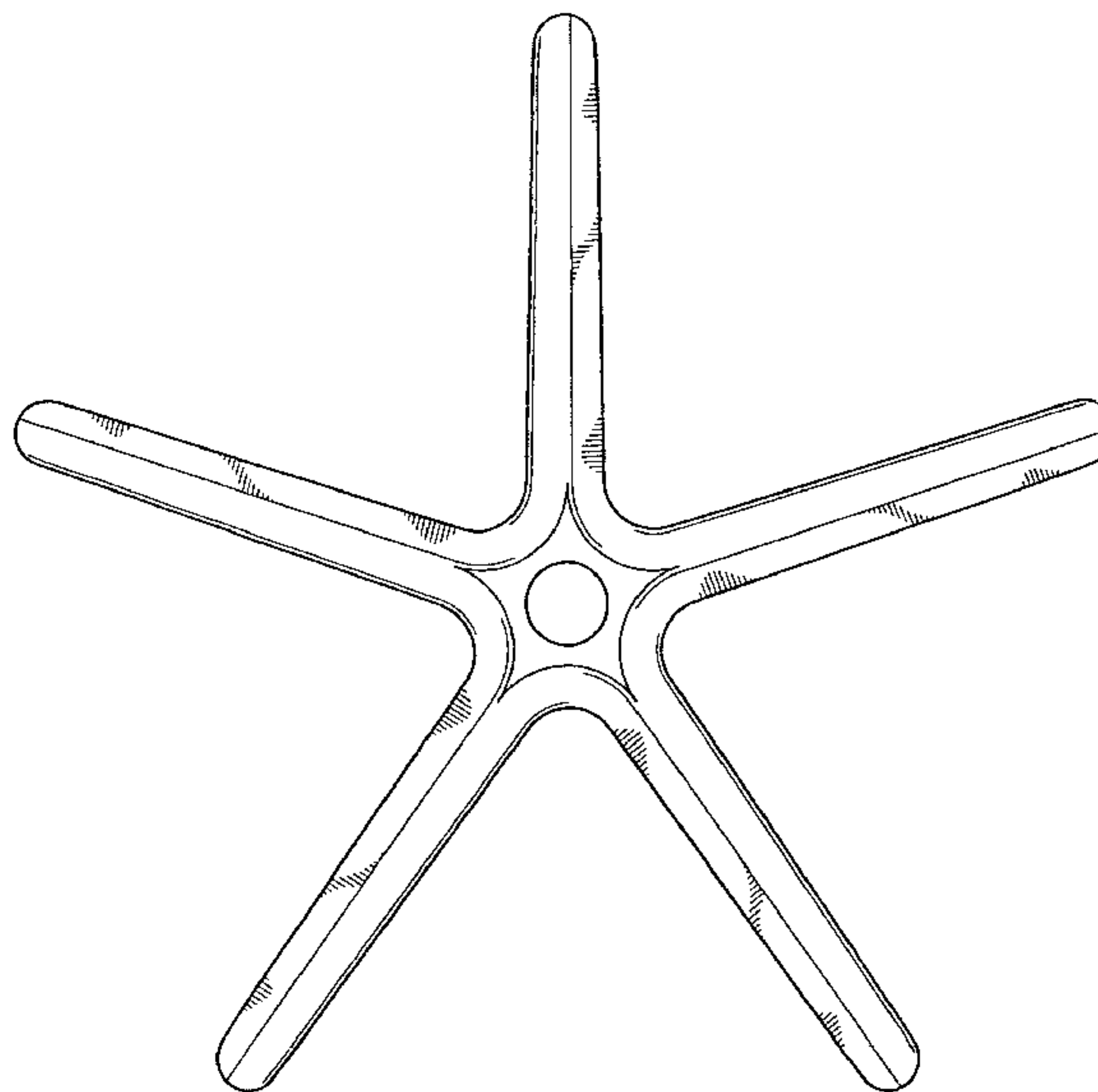
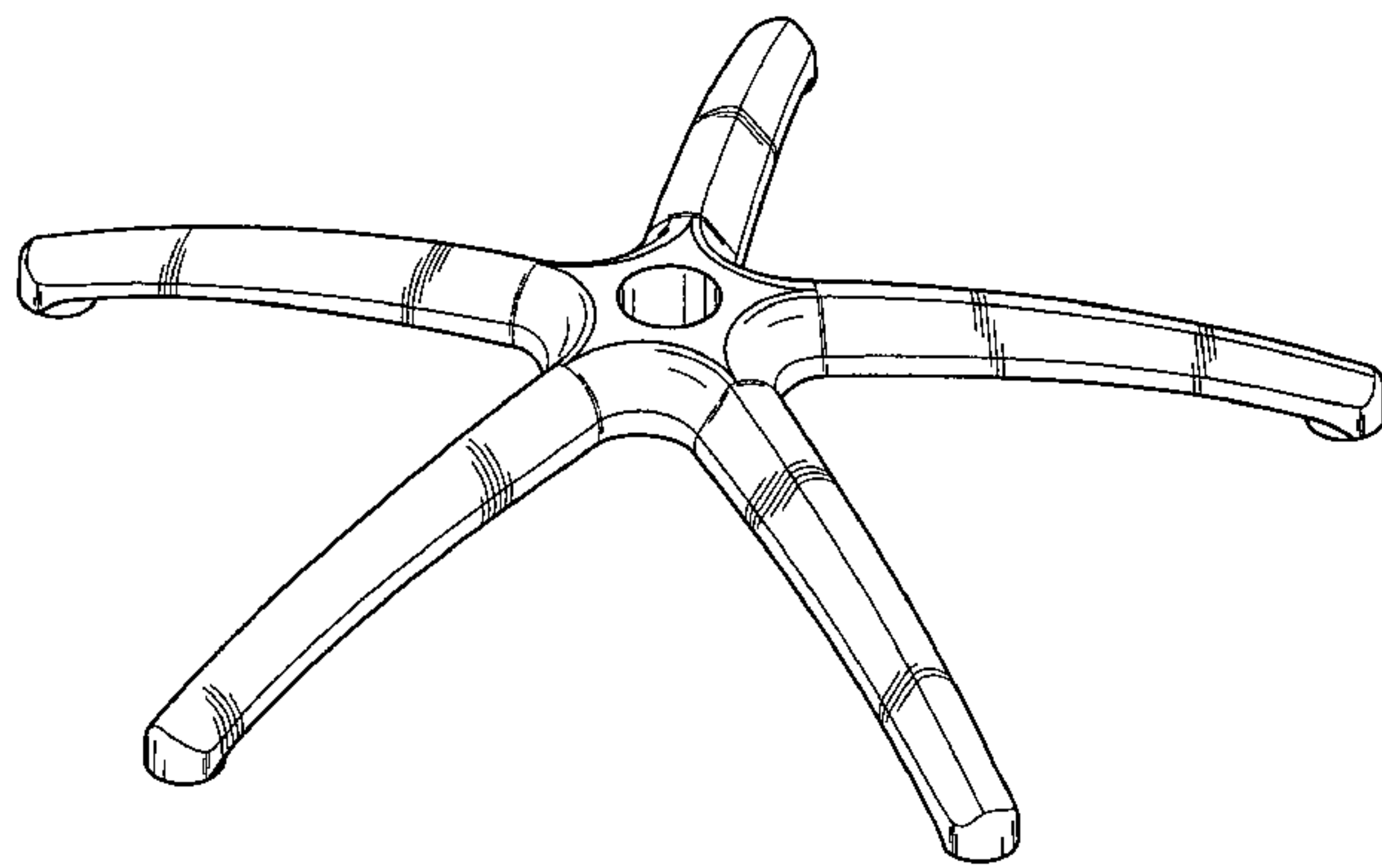
(57) **CLAIM**

The ornamental design for an office chair base, as shown as described.

DESCRIPTION

FIG. 1 is a perspective view of an office chair base showing my design;
 FIG. 2 is a front elevational view thereof;
 FIG. 3 is a rear elevational view thereof;
 FIG. 4 is a left side elevational view thereof;
 FIG. 5 is a right side elevational view thereof;
 FIG. 6 is a top plan view thereof; and,
 FIG. 7 is a bottom plan view thereof.

1 Claim, 5 Drawing Sheets



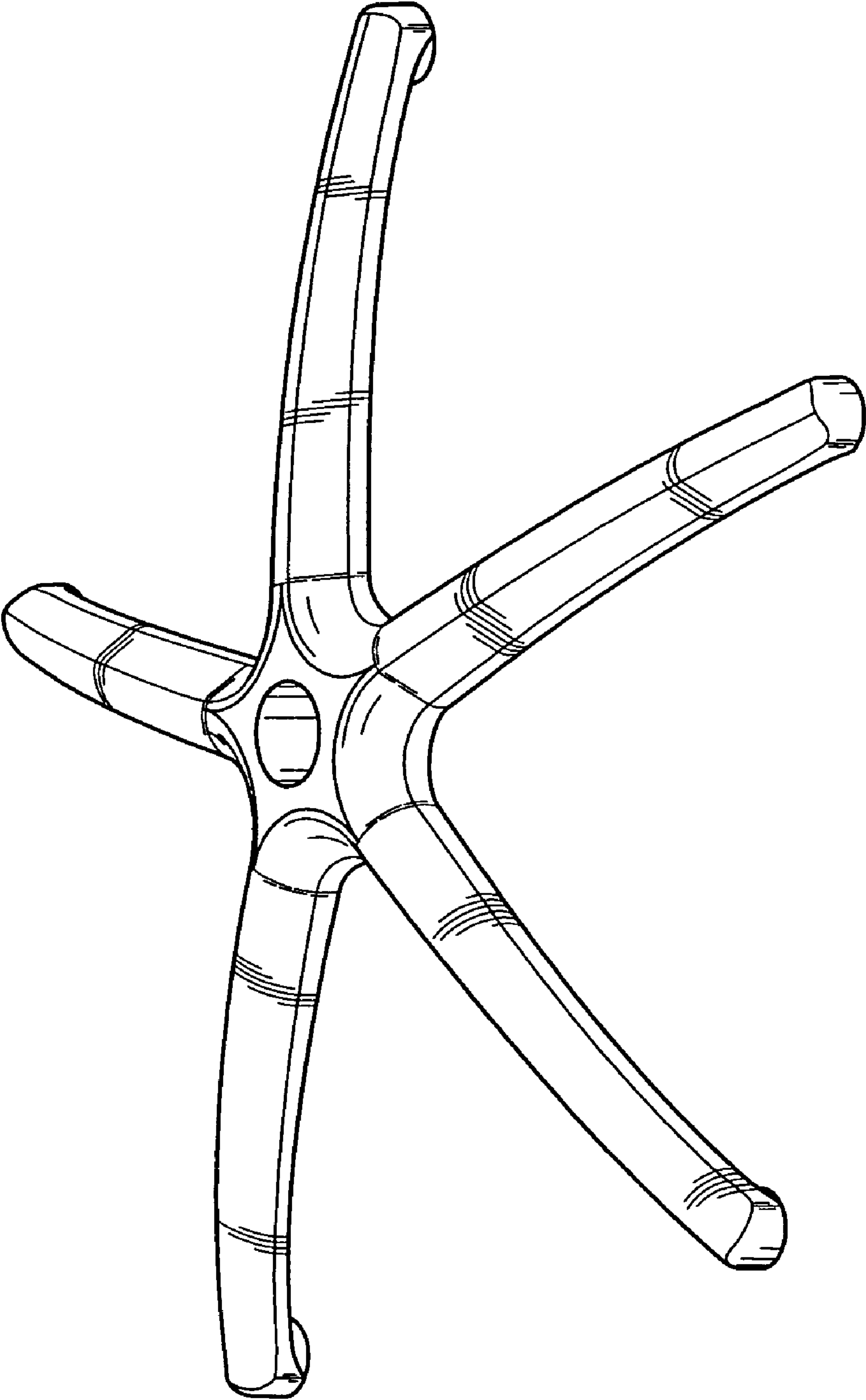


FIG.1

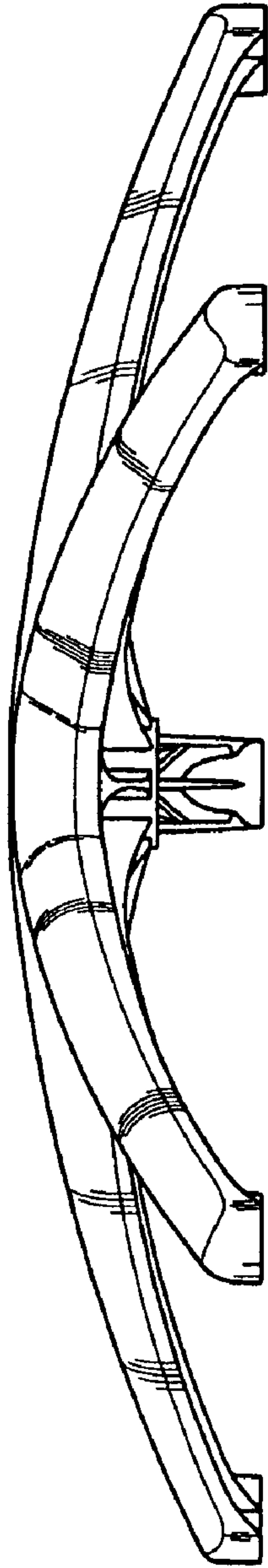


FIG. 2

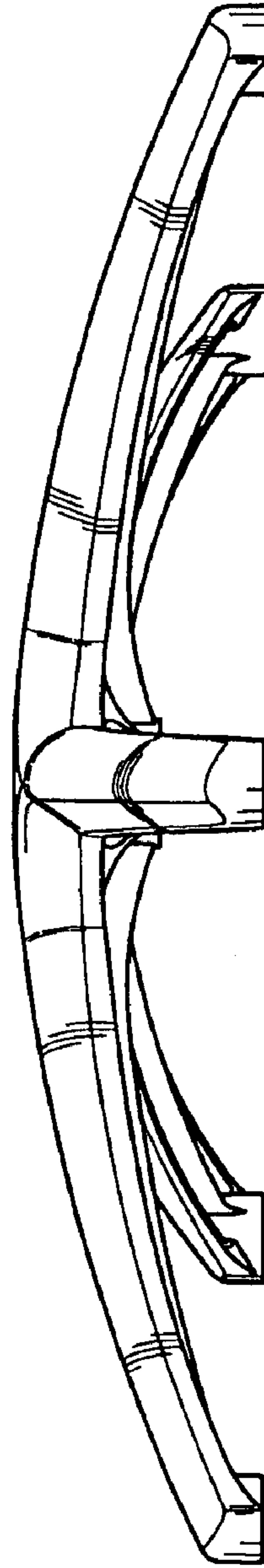


FIG. 3

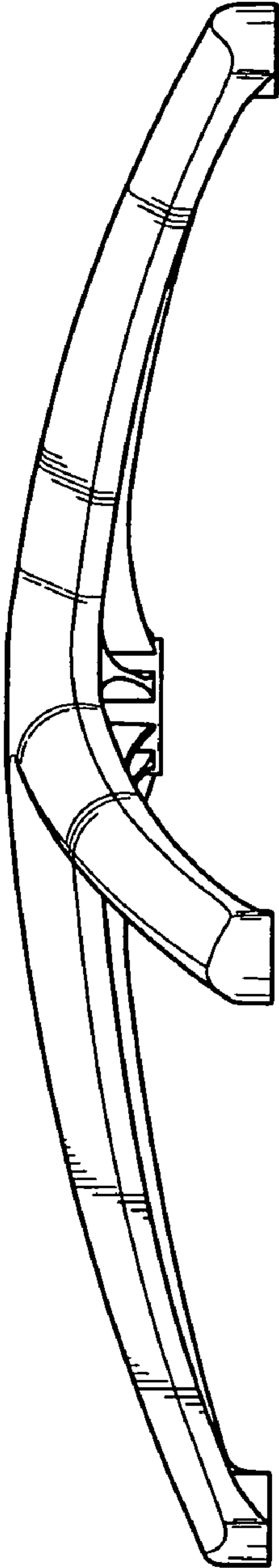


FIG. 4

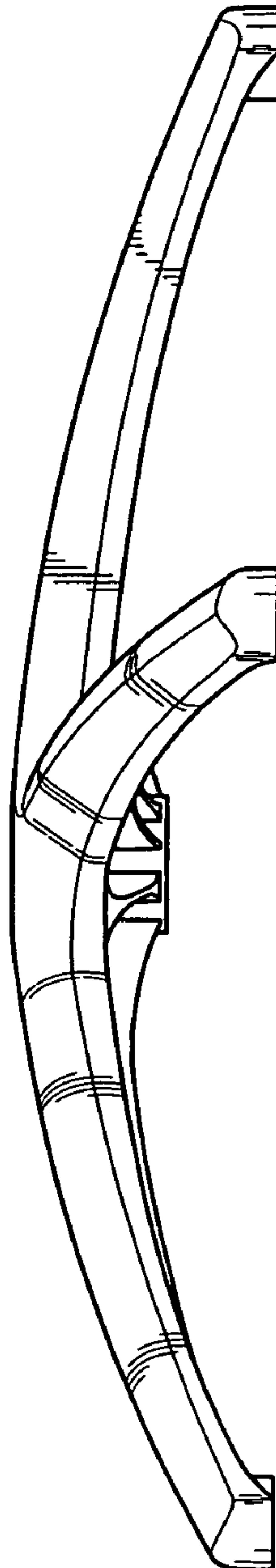


FIG. 5

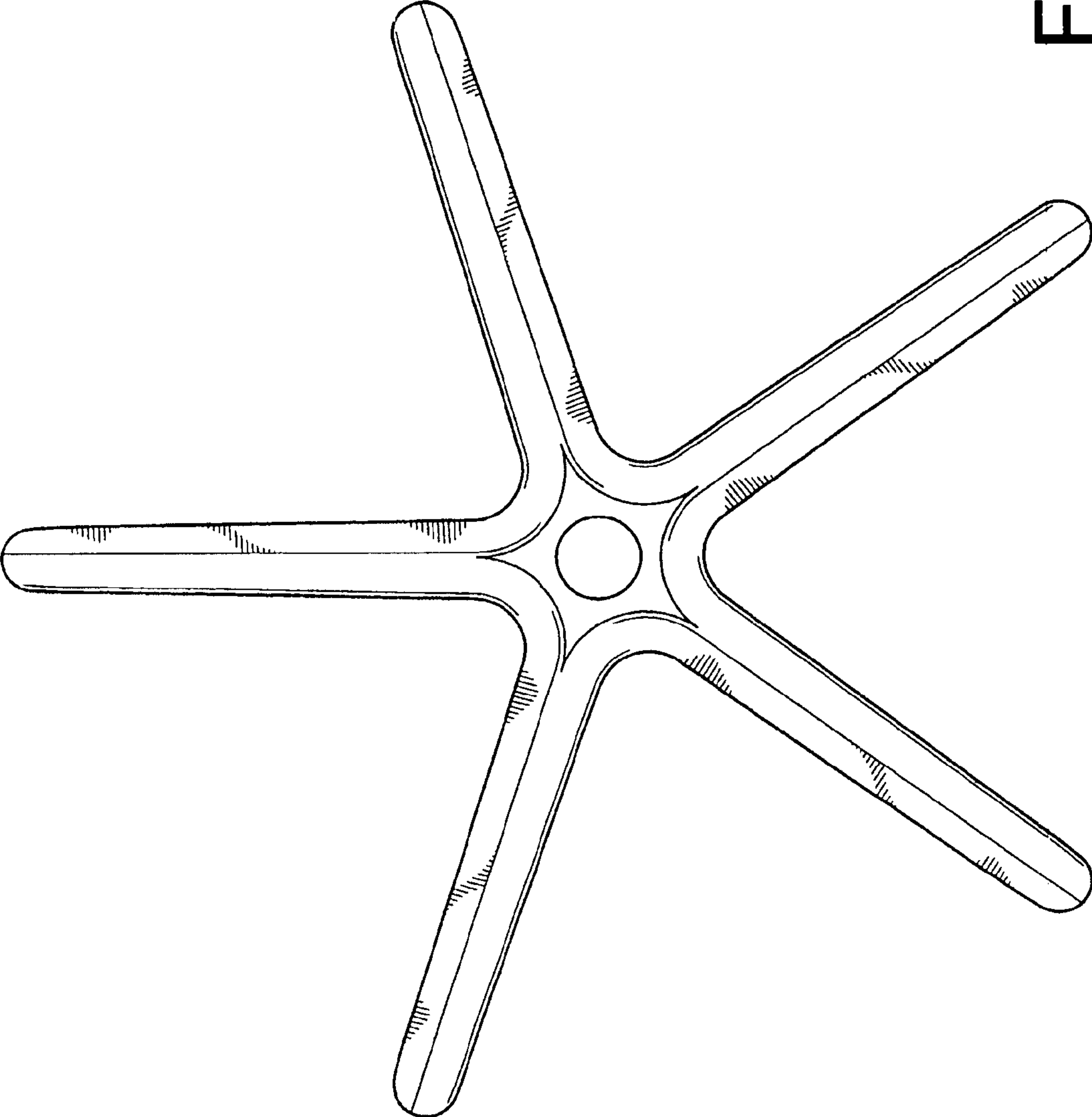


FIG.6

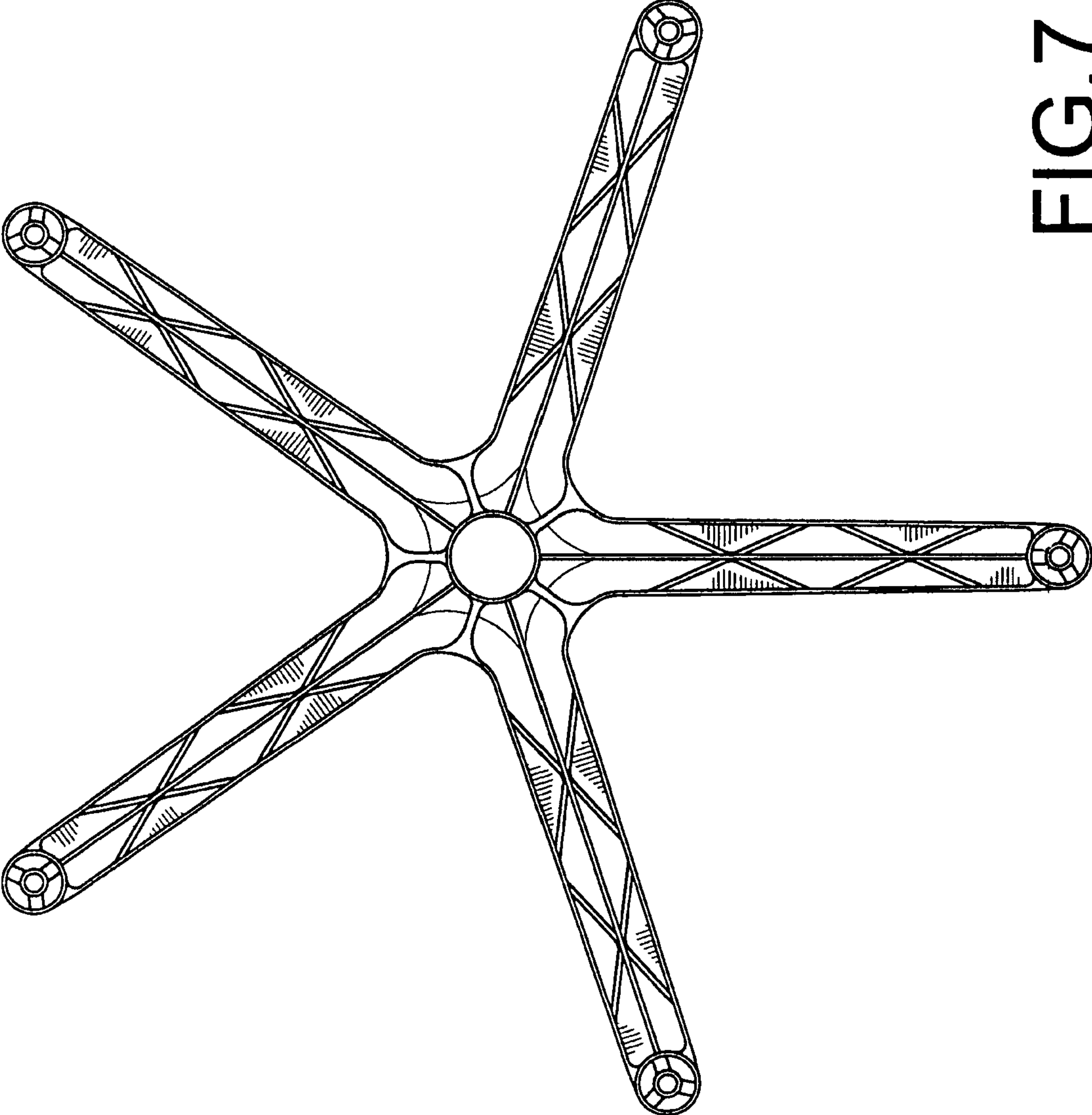


FIG. 7