



US00D552384S

(12) **United States Design Patent**
Thompson

(10) **Patent No.:** **US D552,384 S**

(45) **Date of Patent:** **** Oct. 9, 2007**

(54) **SPIRAL PEDESTAL**

OTHER PUBLICATIONS

(75) **Inventor:** **David W. Thompson**, New Albany, OH
(US)

Kittenger, Sep. 1, 1974, p.Te-5, base at lower left corner.*

* cited by examiner

(73) **Assignee:** **American Signature, Inc.**, Columbus,
OH (US)

Primary Examiner—Janice E. Seeger

(74) *Attorney, Agent, or Firm*—Wood, Herron & Evans,
L.L.P.

(**) **Term:** **14 Years**

(57) **CLAIM**

(21) **Appl. No.:** **29/257,392**

The ornamental design for a spiral pedestal, as shown and
described.

(22) **Filed:** **Apr. 4, 2006**

(51) **LOC (8) Cl.** **06-06**

(52) **U.S. Cl.** **D6/498**

(58) **Field of Classification Search** D6/480–489,
D6/495–499, 429, 492; 108/153.1, 155,
108/157.1, 161, 150; 248/188, 188.1, 188.8
See application file for complete search history.

DESCRIPTION

FIG. 1 is a front elevational view of a spiral pedestal
showing my new design.

FIG. 2 is a right-side elevational view thereof.

FIG. 3 is a rear elevational view thereof.

FIG. 4 is a left-side elevational view thereof.

FIG. 5 is a top plan view thereof; and,

FIG. 6 is a bottom plan view thereof.

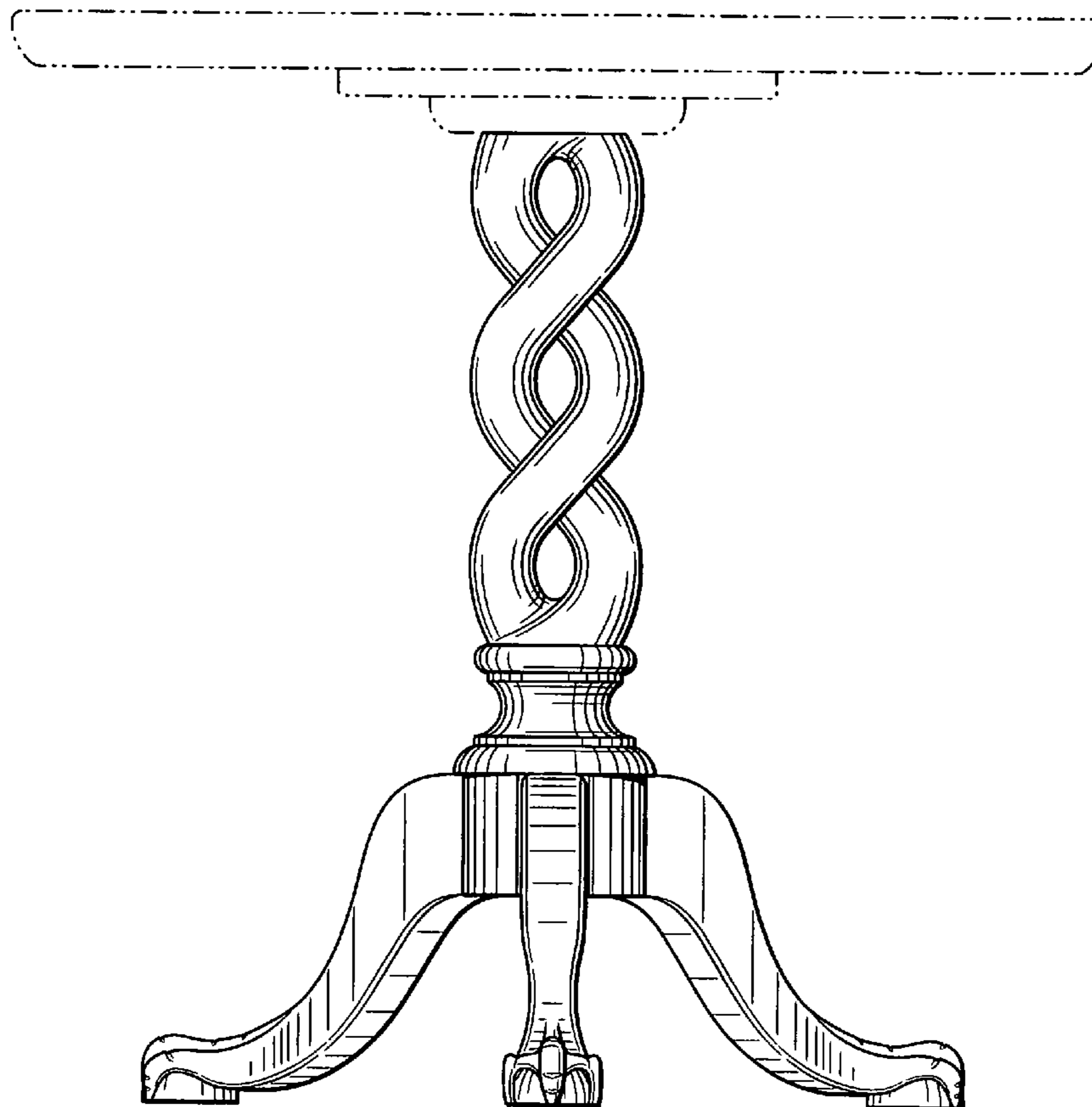
The broken lines in FIGS. 1–6 show environment and
constitute no part of my claimed design.

(56) **References Cited**

U.S. PATENT DOCUMENTS

D82,739 S *	12/1930	French	D6/430
D356,912 S *	4/1995	Tatum et al.	D6/486
D449,187 S *	10/2001	Maitland-Smith	D6/480
D449,945 S *	11/2001	McDaniel et al.	D6/480
D470,344 S *	2/2003	Stanton	D6/480

1 Claim, 6 Drawing Sheets



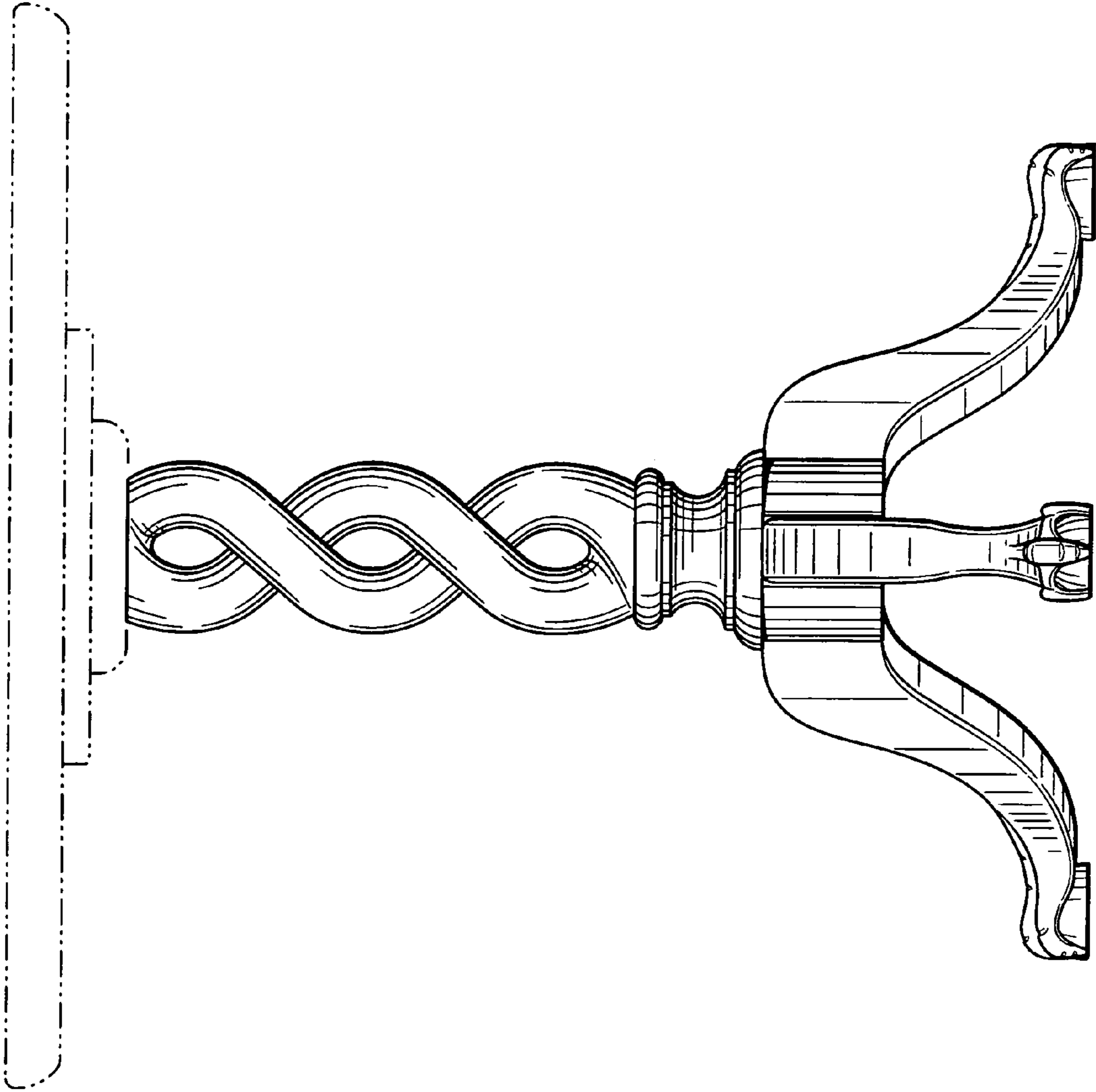


FIG. 1

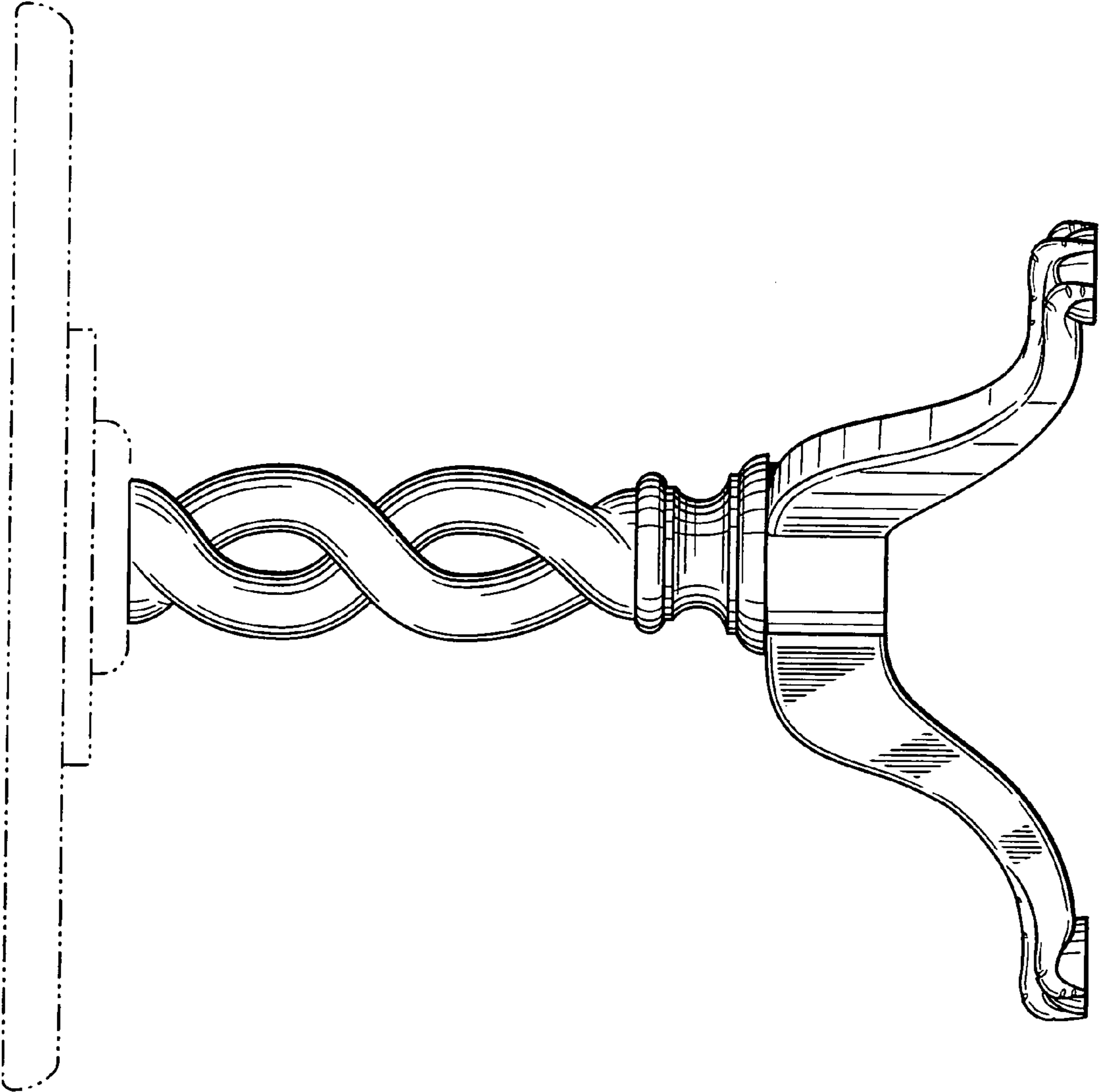


FIG. 2

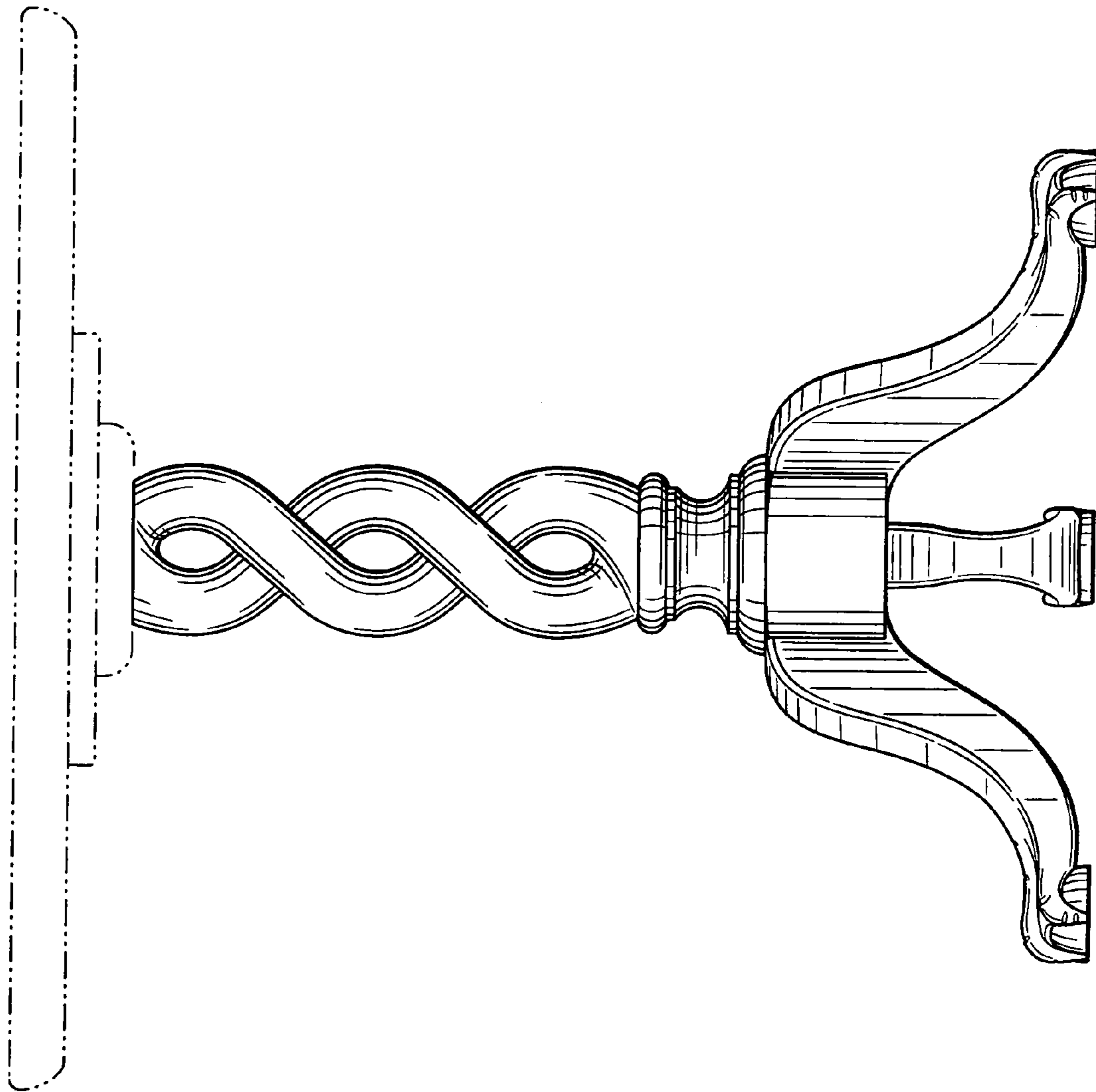


FIG. 3

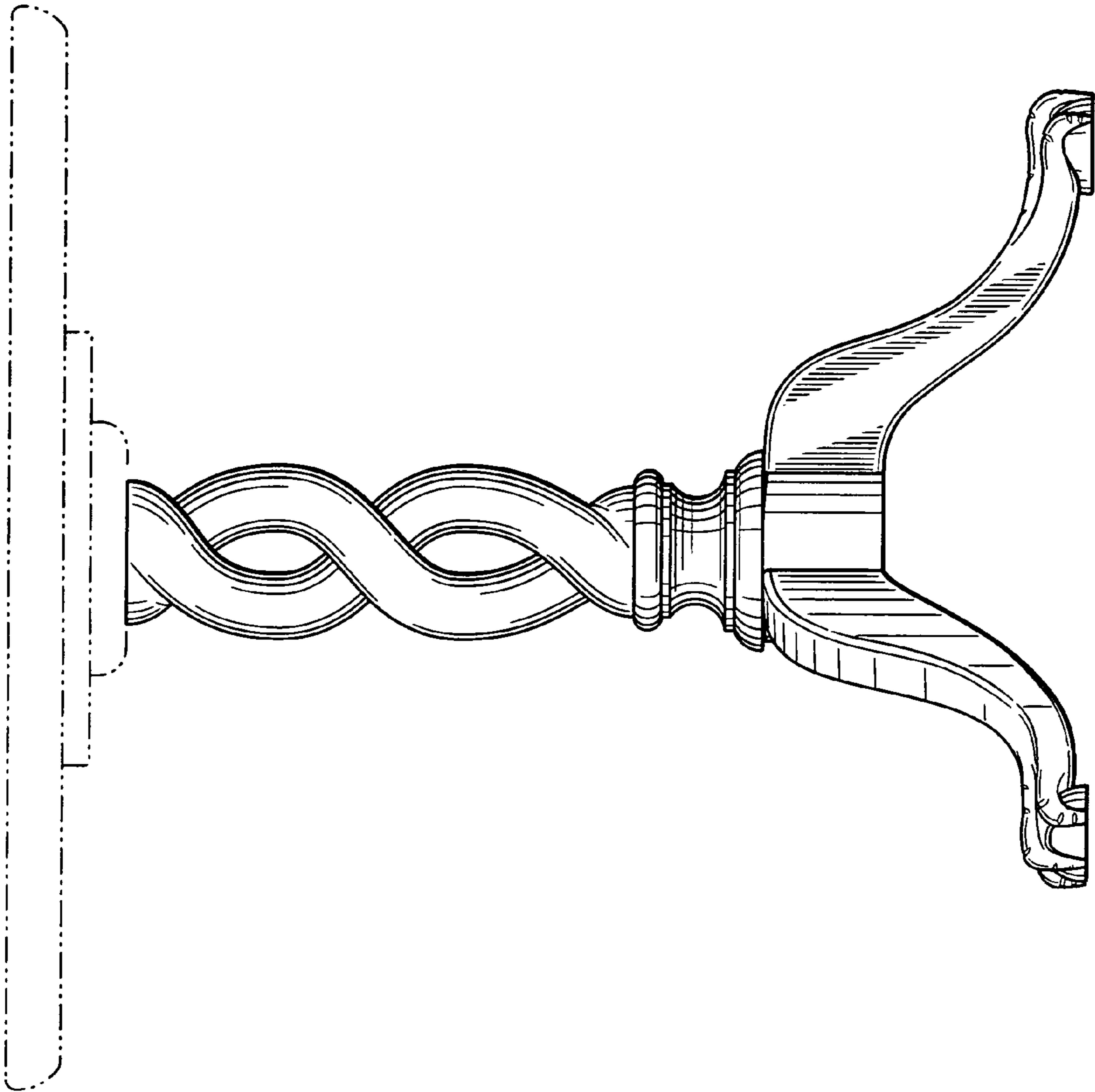


FIG. 4

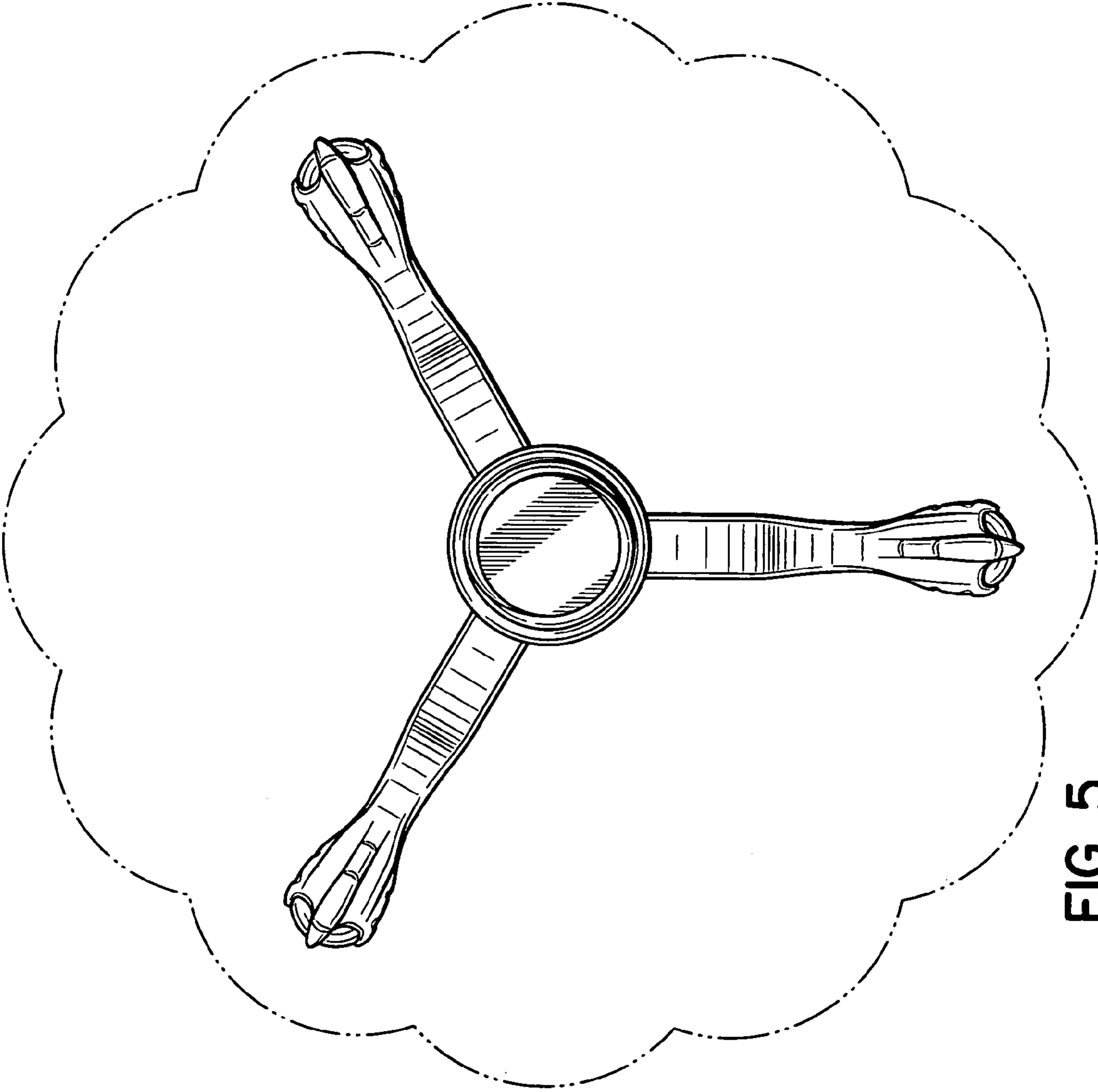


FIG. 5

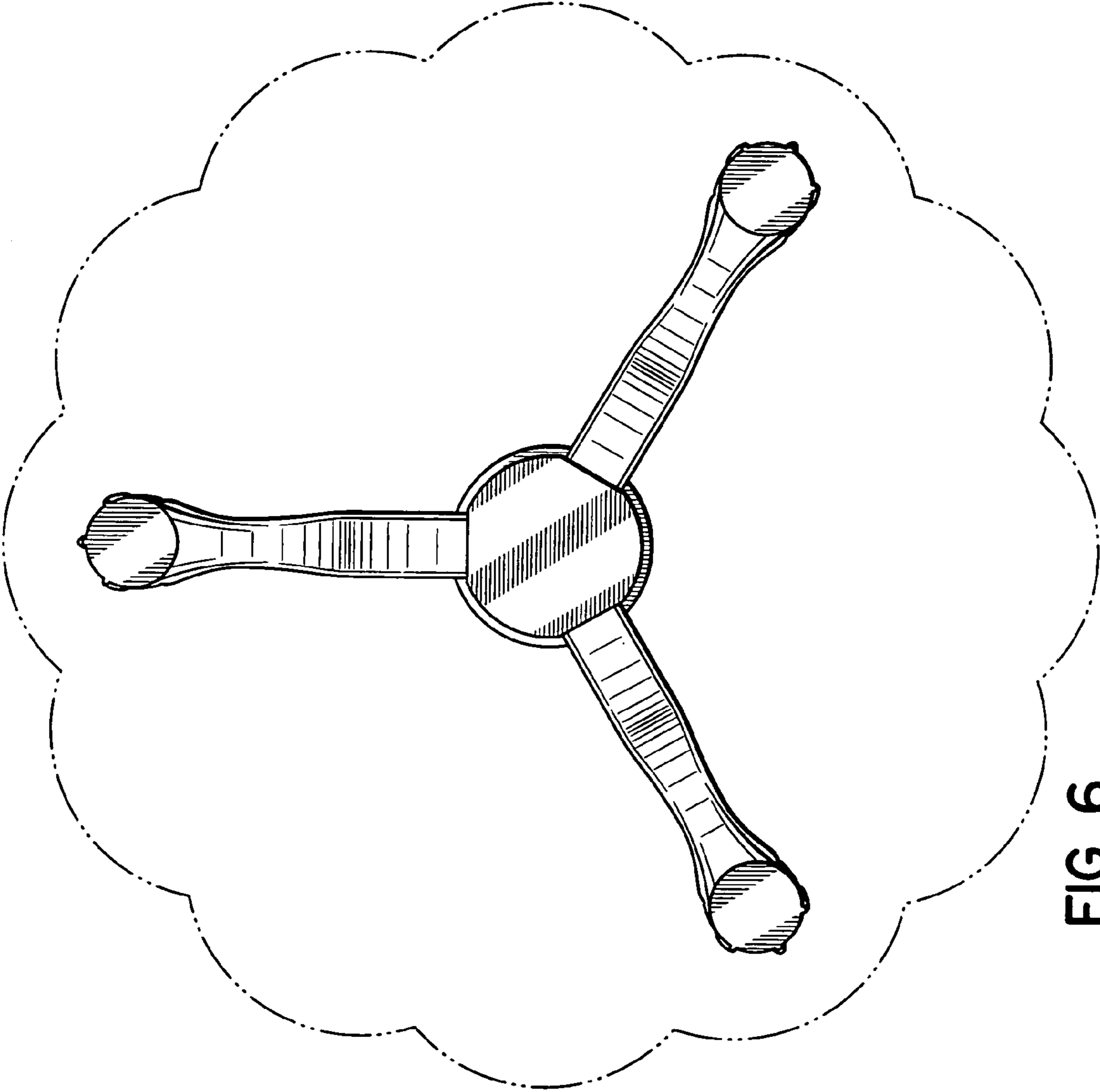


FIG. 6